

ORIGINAL INSTRUCTIONS - according to Directive 2006/42/EC, Annex I 1.7.4.1

OPERATOR'S MANUAL

T8.275

T8.300

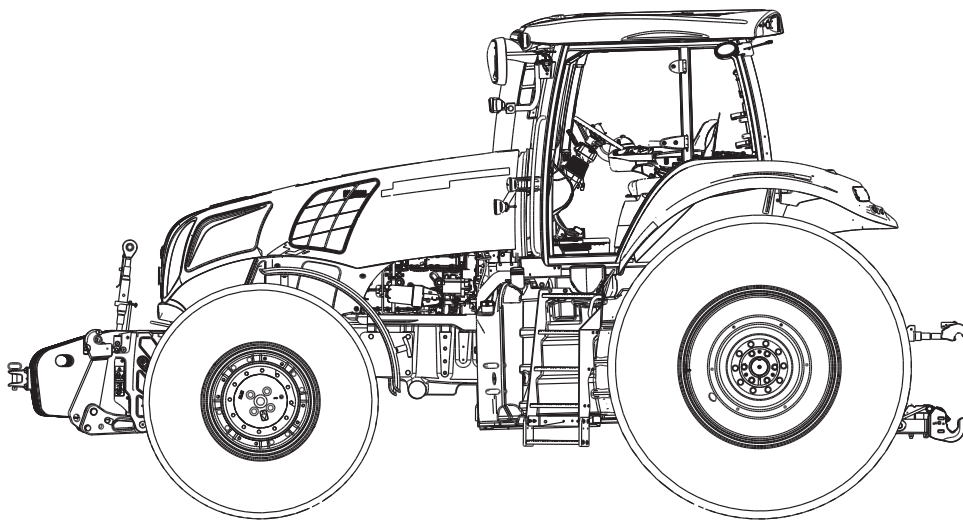
T8.330

T8.360

T8.390

Tractor

from PIN ZCRC05700 and after



Part number 47378617

1st edition English

June 2012



Contents

1 GENERAL INFORMATION

Your tractor	1-1
Declaration of conformity	1-2
Tractor intended use	1-4
Engine tampering	1-4
Electro-Magnetic Compatibility (EMC)	1-5
Manual scope	1-6
Manual storage	1-7
Product identification	1-8
Machine orientation	1-10
Component location	1-11

2 SAFETY INFORMATION

Safety rules	2-1
Safety rules - General	2-2
Safety rules - Air conditioning system	2-2
Safety rules - Basic operating	2-3
Safety rules - Battery	2-3
Safety rules - Driving on public roads	2-4
Safety rules - Electrical storm safety	2-4
Safety rules - Fire prevention	2-4
Safety rules - General maintenance	2-5
Safety rules - Hazardous chemicals	2-6
Safety rules - Implements, tools and trailers	2-6
Safety rules - Passenger seat	2-7
Safety rules - Mounting and dismounting	2-7
Safety rules - Operator presence system	2-7
Safety rules - Power Take-Off (PTO) operation	2-8
Safety rules - Roll over and tip over	2-8
Safety rules - Utility power lines	2-9
Safety rules - Vehicle vibration	2-9
Safety rules - Wheels and tires	2-9
Roll Over Protective Structure (ROPS)	2-11
Cab protection	2-12
Noise levels	2-13
Vehicle vibration levels	2-14
Fire extinguisher	2-15
Emergency exit	2-15
Wheel wedges	2-16
Safety signs	2-17
Selective Catalytic Reduction (SCR) decal	2-30
Ecology and the environment	2-31
Safety aspects	2-32

3 CONTROLS/INSTRUMENTS

ACCESS TO OPERATOR'S PLATFORM

Tractor access	3-1
Lower step	3-2

OPERATOR'S SEAT

Overview	3-3
Control identification	3-4

INSTRUCTOR'S SEAT

Overview	3-7
----------------	-----

FORWARD CONTROLS

Steering column	3-8
Front console	3-11
Pedal controls	3-13

LEFT-HAND SIDE CONTROLS

Emergency brake lever	3-15
-----------------------------	------

RIGHT-HAND SIDE CONTROLS

Armrest console	3-16
Multi function handle	3-17
Hand throttle lever	3-20
Control panel	3-21
Remote valve controls	3-28
Joystick	3-29
Rear hitch controls	3-31
Armrest compartment	3-33
Adjusting the armrest console	3-35

REARWARD CONTROLS

Fender console	3-36
Automatic temperature controls	3-39
Automatic temperature control system	3-42
Ventilation	3-43

OVERHEAD CONTROLS

Interior lamps	3-45
----------------------	------

EXTERIOR CONTROLS

Rear fender controls	3-46
Front hitch	3-48

INSTRUMENT CLUSTER

Overview	3-49
Gauges	3-50
Status and warning icons	3-51

Upper display	3-54
Lower display	3-56
Keypad	3-58
Setup menu.....	3-60
Rear tire radius chart	3-66
Adjust menu	3-67
Performance instrumentation.....	3-74

4 OPERATING INSTRUCTIONS

COMMISSIONING THE UNIT

Before starting the engine	4-1
----------------------------------	-----

STARTING THE UNIT

Normal engine starting	4-4
Cold starting aids	4-7
Cold temperature operation	4-9

STOPPING THE UNIT

Stopping the engine	4-11
---------------------------	------

MOVING THE UNIT

Powershift transmission	4-12
Best practices for prolonged transmission life.....	4-13
Inching pedal and throttle.....	4-14
Transmission controls	4-15
Upper display	4-18
Driving the vehicle	4-20
Setting default gears	4-25
Ground Speed Management (GSM)	4-27
Selective Catalytic Reduction (SCR) system.....	4-34
Selective Catalytic Reduction (SCR) inducement strategy - 2012	4-35
Mechanical Front Drive (MFD)	4-38
Differential lock system	4-42
Suspended axle	4-45
Ride control.....	4-53
Constant engine speed	4-55
Headland management system	4-57

5 TRANSPORT OPERATIONS

ROAD TRANSPORT

Tractor warning lamps.....	5-1
Safe transport speed	5-3

SHIPPING TRANSPORT

Securing the tractor for shipping	5-4
---	-----

RECOVERY TRANSPORT

Safety rules	5-5
Towing the tractor	5-6

6 WORKING OPERATIONS

GENERAL INFORMATION

Overview	6-1
----------------	-----

REAR POWER TAKE-OFF (PTO)

Safety rules	6-2
Safety rules	6-5
Connecting the PTO	6-9
Connecting the Power Take-Off (PTO)	6-10
Interchangeable Power Take-Off (PTO) shaft	6-11
Rear Power Take-Off (PTO) operation	6-17
Power Take-Off (PTO) fender switch operation	6-21
Auto Power Take-Off (PTO) operation	6-22

FRONT POWER TAKE-OFF (PTO)

Overview	6-25
Front Power Take-Off (PTO) operation	6-26

REAR HITCH

Identification	6-29
Link adjustment	6-30
Hitch high clearance adjustment	6-34
Hydraulic links	6-37
Sway limiter adjustment	6-39
Automatic telescoping stabilizers	6-40
Lower link block adjustment	6-42
Mechanical float adjustment	6-44
Hitch operation	6-45
Hitch remote switch operation	6-50
Position control operation	6-52
Load control operation	6-54
Slip control operation	6-56
Hitch set point	6-58

FRONT HITCH

Overview	6-60
Front hitch operation	6-60

DRAWBARS AND TOWING ATTACHMENTS

Drawbars and towing hitches - Safety rules	6-67
Drawbar capacity/position	6-68
Adjusting the drawbar	6-70

TRAILER HITCHES

Clevis and special drawbars.....	6-72
Automatic trailer hitch	6-74
Auto pickup hitch operation.....	6-77
Manual trailer hitch	6-79

AUXILIARY POWER CONNECTIONS

Auxiliary power and lighting	6-81
Cab power connections	6-83

HYDRAULIC REMOTE CONTROL VALVES

Valve couplers and connections.....	6-85
Motor return circuit	6-88
Power beyond circuit	6-89
Flow capacity	6-90
Hydraulic transport lock	6-91
Operating the controls.....	6-92
Remote valve display screens.....	6-96
Remote hydraulic auto mode.....	6-100
Auto depth control	6-102
Joystick operation	6-104

BALLASTING THE TRACTOR

Guidelines	6-108
Tire load and inflation charts	6-112
Weights, cast metal and liquid.....	6-113
Wheel slip and power hop performance	6-124

MECHANICAL FRONT DRIVE (MFD) AXLES

Tire combinations and tread positions.....	6-127
Steering and oscillation stops	6-132
Tread and fender settings - standard axles	6-135
Tread and fender settings - heavy duty axles	6-136
Tread and fender settings - heavy duty class 5 axles	6-137
Tread and fender settings - heavy duty class 5 suspended axles.....	6-138
Tread and fender settings - scissors suspended axles.....	6-139

REAR AXLE

Rear wheel installation	6-140
Rear wheel tread settings	6-142

7 MAINTENANCE

GENERAL INFORMATION

Safety rules	7-1
Opening the hood	7-3
Closing the hood	7-5
Filling the fuel tank	7-6
Filling the Diesel Exhaust Fluid (DEF)/AdBlue® tank	7-7
Battery access and service	7-8
Tire and rim service	7-10
Tractor jacking points	7-12
Capacities	7-14
Consumables - Engine oil	7-16
Consumables - Diesel fuel	7-18
Consumables - Biodiesel fuels	7-19
Consumables - Diesel exhaust fluid (DEF)/AdBlue®	7-21
Consumables - Coolant solutions	7-23
Electrical component location	7-24
Lamps and bulbs	7-29
Maintenance chart notes	7-30

MAINTENANCE CHART

Maintenance Chart	7-31
-------------------------	------

At warning message display

Air filter service icon/message	7-33
Fuel filter water separator	7-34
Transmission oil filter switch	7-35
Hydraulic oil filter switch	7-37

First 10 to 50 hours

Differential and planetary oil	7-39
Wheel bolt torque	7-39
Weight bolt torque	7-39

Every 10 hours or daily

Engine oil level	7-40
Transmission oil level	7-41
Engine coolant level	7-41
Engine auxiliary fuel filter	7-42
Air reservoir	7-42
Rear hitch and front axle	7-42

Every 50 hours or weekly

Engine fuel pre-filter	7-43
------------------------------	------

Every 100 hours

Front hitch	7-44
Front Power Take-Off (PTO) drive shaft.....	7-46

Every 300 hours

Battery water level (Note E)	7-47
Engine air intake hoses.....	7-49
Engine coolant level - deaeration tank	7-51
Wheel bolt torque.....	7-52
Weight bolt torque	7-52
Front axle (Note A)	7-53
Rear hitch (Note A)	7-61
Fuel tank.....	7-63
Differential and planetary oil level (Note B).....	7-64
Transmission oil pressure	7-66
Front Power Take-Off (PTO) oil level.....	7-67

Every 400 hours

Cab air filter.....	7-68
---------------------	------

Every 600 hours

Engine oil and filter	7-71
Engine coolant antifreeze protection	7-73
Engine coolant hoses and clamps.....	7-73
Engine primary fuel filter.....	7-76
Engine fuel pre-filter	7-79
Fuel system bleeding.....	7-82
Changeable Power Take-Off (PTO) internal splines.....	7-84
Diesel Exhaust Fluid (DEF)/AdBlue® in-line filter	7-85
Front Power Take-Off (PTO) oil and filter.....	7-87

Every 1000 hours or annually

Pneumatic brake system dryer	7-89
------------------------------------	------

Every 1200 hours or annually

Differential and planetary oil.....	7-90
Engine air filters	7-95
Engine air precleaner.....	7-99

Every 1500 hours

Transmission oil	7-101
Transmission oil filter	7-103
Regulated transmission filter	7-104
Engine crankcase filter	7-105

Every 2000 hours

Thank you so much for reading.
Please click the “Buy Now!”
button below to download the
complete manual.



After you pay.

You can download the most
perfect and complete manual in
the world immediately.

Our support email:

ebooklibonline@outlook.com