

Magnum™ 180

Magnum™ 200

Magnum™ 220

Magnum™ 240

Tractor

PIN ZERH08100 and above

OPERATOR'S MANUAL

Part number 47776656

2nd edition English

September 2014

Replaces part number 47754936



Contents

1 GENERAL INFORMATION

Note to the Owner	1-1
Engine tampering	1-1
Tractor intended use	1-2
Electro-Magnetic Compatibility (EMC)	1-2
ISOBUS certification	1-2
Product identification	1-3
Manual storage	1-6
Machine orientation	1-7
Component identification	1-8
Selective Catalytic Reduction (SCR) system	1-11

2 SAFETY INFORMATION

Safety rules and signal word definitions	2-1
Safety rules - General	2-2
Safety rules - General maintenance safety	2-3
Safety rules - Wheels and tires	2-4
Safety rules - Driving on public roads and general transportation safety	2-4
Safety rules - Fire and explosion prevention	2-5
Safety rules - General battery safety	2-5
Safety rules - Hydraulic system safety	2-5
Safety rules - Instructional seat safety	2-6
Safety rules - Operator presence system	2-6
Safety rules - Power Take-Off (PTO)	2-7
Safety rules - Reflectors and warning lights	2-7
Safety rules - Seat belts	2-7
Safety rules - Roll Over Protective Structure (ROPS)	2-7
Safety rules - Cab protection	2-9
Safety rules - Air conditioning system	2-9
Safety rules - Personal Protective Equipment (PPE)	2-9
Safety rules - Do Not Operate tag	2-9
Safety rules - Hazardous chemicals	2-9
Safety rules - Utility safety	2-10
Safety rules - Electrical storm safety	2-10
Safety rules - Mounting and dismounting	2-10
Safety rules - Working at heights	2-11
Safety rules - Lifting and overhead loads	2-11
Safety rules - Implements, tools and trailers	2-11
Safety rules - Roll over and tip over	2-12
Proposition 65	2-13
Ecology and the environment	2-13
Safety signs	2-14
Selective Catalytic Reduction (SCR) decals	2-22

3 CONTROLS AND INSTRUMENTS

ACCESS TO OPERATOR'S PLATFORM

Tractor access	3-1
Lower step	3-3

OPERATOR'S SEAT

Control identification	3-4
------------------------------	-----

INSTRUCTOR'S SEAT

Overview	3-8
----------------	-----

FORWARD CONTROLS

Steering column	3-9
Front console	3-12
Pedal controls	3-14

RIGHT-HAND SIDE CONTROLS

Armrest console	3-16
Multi function handle	3-17
Minimum/maximum throttles	3-22
Control panel	3-24
Remote valve controls	3-33
Joystick	3-34
Armrest compartment	3-35
Adjusting the armrest console	3-37

REARWARD CONTROLS

Fender console	3-38
Automatic temperature controls	3-41
Automatic Temperature Control (ATC) system	3-44
Ventilation	3-45

OVERHEAD CONTROLS

Interior lamps	3-47
----------------------	------

EXTERIOR CONTROLS

Rear fender	3-48
-------------------	------

INSTRUMENT CLUSTER

Overview	3-49
Gauges	3-49
Status and warning icons	3-50
Upper display	3-53
Lower display	3-55
Keypad	3-56
Adjust and configure menus	3-57
Rear tire radius chart	3-64

Performance features	3-65
----------------------------	------

4 OPERATING INSTRUCTIONS

COMMISSIONING THE UNIT

Before starting the engine	4-1
----------------------------------	-----

STARTING THE UNIT

Normal engine starting	4-4
Cold starting aids	4-6
Cold temperature operation	4-7

STOPPING THE UNIT

Stopping the engine	4-9
---------------------------	-----

MOVING THE UNIT

FULL POWERSHIFT TRANSMISSION	4-11
Powershift transmission	4-11
Inching pedal and throttle	4-12
Transmission controls	4-13
Upper display	4-15
Manual transmission operation	4-16
Automatic Productivity Management (APM)	4-18
Automatic Productivity Management (APM) field	4-19
Automatic Productivity Management (APM) road	4-22
Shuttle memory	4-25
Transmission errors and calibration	4-26
Creeper gears	4-27
CONTINUOUSLY VARIABLE TRANSMISSION (CVT)	4-28
Continuously Variable Transmission (CVT) brake, pedal and throttle operation	4-28
Continuously Variable Transmission (CVT) controls	4-33
Continuously Variable Transmission (CVT) display	4-38
Continuously Variable Transmission (CVT) operation	4-39
Continuously Variable Transmission (CVT) speed matching	4-41
Continuously Variable Transmission (CVT) error codes	4-42
POWERSHIFT AND CVT TRANSMISSIONS	4-43
Selective Catalytic Reduction (SCR) system	4-43
Engine idling or full catalyst messages	4-54
Mechanical Front Drive (MFD)	4-56
Differential lock system	4-58
Suspended axle	4-60
Cab suspension, if equipped	4-62
Engine power management	4-63
Ride control	4-65
Constant engine speed	4-66
Electronic end of row system	4-69

PARKING THE UNIT

Automatic park lock.....	4-79
--------------------------	------

5 TRANSPORT OPERATIONS

ROAD TRANSPORT

Tractor warning lamps and Slow Moving Vehicle (SMV) symbol.....	5-1
Wide transport marker light.....	5-3
Tractor warning lamps.....	5-5
Safe transport speed.....	5-6
Implement warning lamps and Slow Moving Vehicle (SMV) symbol.....	5-7
Safety chain.....	5-7

SHIPPING TRANSPORT

Securing the tractor for shipping.....	5-8
--	-----

RECOVERY TRANSPORT

Safety rules.....	5-9
-------------------	-----

6 WORKING OPERATIONS

GENERAL INFORMATION

Before operating the vehicle.....	6-1
Guidelines.....	6-2

REAR POWER TAKE-OFF (PTO)

Safety rules.....	6-3
Connecting the Power Take-Off (PTO).....	6-6
Power Take-Off (PTO) operation.....	6-8
Two speed Power Take-Off (PTO) systems.....	6-11
Auto Power Take-Off (PTO) operation.....	6-12
Power Take-Off (PTO) fender switch operation.....	6-14

THREE-POINT HITCH

Connecting three-point hitch implements.....	6-15
Three-point hitch adjustments.....	6-16
Hitch quick coupler - Category III/IIIN.....	6-22
Hitch controls and settings.....	6-28
Draft control.....	6-33
Position and ride control.....	6-36

DRAWBARS AND TOWING ATTACHMENTS

Safety rules.....	6-38
Adjusting the drawbar.....	6-39

HYDRAULIC TRAILER BRAKES

Trailer brake connections.....	6-42
--------------------------------	------

AUXILIARY CONNECTIONS

Auxiliary power and lighting	6-43
Cab power connections	6-44
Radar connection	6-45
Implement ISOBUS connector	6-46

HYDRAULIC REMOTE CONTROL VALVES

Valve couplers and connections	6-47
Flow capacity	6-53
Transport lock	6-55
Operating the controls	6-56
Remote valve display screens	6-61
Joystick operation	6-64

BALLASTING THE TRACTOR

Guidelines	6-69
Tire load and inflation charts	6-77
Weights, cast metal	6-85
Wheel slip and power hop performance	6-91

MECHANICAL FRONT DRIVE (MFD) AXLES

Tire combinations and tread positions	6-93
Toe-in setting - Mechanical Front Drive (MFD) axles	6-100
Steering and oscillation stops	6-101
Tread and fender settings - Class 4.0 fixed front axles	6-103
Tread and fender settings - Class 4.75 suspended front axles	6-108
Front wheel narrow fenders - Narrow fenders, fixed or suspended - Class 4.0 or 4.75 axles	6-117
Front wheel wide fenders - Wide fenders, fixed or suspended - Class 4.0 or 4.75 axles	6-122

REAR AXLE

Rear wheel installation	6-127
Rear wheel tread settings	6-133
Dual/triple wheel setup for 20/22 row spacing	6-137

7 MAINTENANCE

GENERAL INFORMATION

Safety rules	7-1
Maintenance guidelines	7-2
Dealer service and parts	7-2
Opening the hood	7-3
Closing the hood	7-5
Filling the fuel tank	7-7
Filling the Diesel Exhaust Fluid (DEF)/AdBlue® tank	7-9

Battery access and service	7-11
Tire and rim service	7-13
Tractor jacking points	7-15
Capacities	7-17
Consumables - Engine oil	7-18
Consumables - Front axle oil	7-19
Consumables - Transmission/hydraulic system	7-19
Consumables - Diesel fuel	7-19
Consumables - Biodiesel fuels	7-20
Consumables - Diesel Exhaust Fluid (DEF)/AdBlue®	7-22
Consumables - Organic Acid Technology (OAT) coolant	7-24
Electrical system - Component identification	7-26
Maintenance summary decal	7-32

MAINTENANCE CHART

Maintenance chart	7-33
-------------------------	------

At warning message display

Air filter service icon/message	7-35
Fuel filter water separator	7-39
Hydraulic oil filter	7-40

Every 10 hours or daily

Engine coolant level	7-41
Engine oil level	7-42
Windshield washer fluid level	7-43

First 50 hours

Dealer performed service	7-44
--------------------------------	------

Every 50 hours

Coolers and condenser	7-45
Cab air filter	7-47
Grease fittings	7-50
Tire pressure	7-54

Every 300 hours

Fan belt	7-55
Transmission oil level	7-56
Mechanical Front Drive (MFD) gearbox - Class 4.75 suspended axle only	7-57

Every 600 hours

Engine oil and filter	7-58
Diesel Exhaust Fluid (DEF)/AdBlue® in-line filter	7-61
Hydraulic filter(s)	7-63
TwinFlow oil filter	7-65
Engine primary air filter	7-66

Engine air intake hoses.....	7-69
Fuel filters	7-71
Differential and planetary oil.....	7-73

Every 1200 hours or annually

Cab air filter.....	7-74
Transmission cartridge filter	7-76
Rear axle bearing.....	7-80
Transmission oil	7-81
Differential and planetary oil.....	7-85
Mechanical Front Drive (MFD) gearbox - Class 4.75 suspended axle only	7-89
Battery terminals	7-90

Every 1200 hours or two years

Engine secondary air filter.....	7-91
Engine valve adjustment	7-94
Blowby filter.....	7-94

Every 3600 hours

Diesel Exhaust Fluid (DEF)/AdBlue® supply module filter	7-95
---	------

Every 36 months

Air conditioning system.....	7-98
------------------------------	------

Every 4000 hours or every four years

Engine coolant.....	7-99
---------------------	------

As required

Wheel bolt torque.....	7-102
Pre-filter and water trap - if equipped	7-103
Fuel tank vent filter	7-105
Diesel Exhaust Fluid (DEF)/AdBlue® tank	7-106
Fan belt.....	7-108
Remote valve collection bottle.....	7-112
Cab fabric and carpet.....	7-113
Tractor exterior	7-114
Seat belt	7-115

STORAGE

Preparing for storage	7-116
Removing from storage.....	7-118

ELECTRICAL SYSTEM

Radio or audio system.....	7-119
Battery removal and installation	7-120
Recharging the battery	7-122
Headlight	7-123

Rear work light	7-124
Fender tail light and warning light	7-124
Roof front warning and work light	7-125
Rear roof warning light	7-126
High intensity work light	7-127
Wide transport marker light.....	7-128

8 TROUBLESHOOTING

ALARM(S)

Display warnings	8-1
Automatic engine shutdown	8-8
Fault reporting	8-9

SYMPTOM(S)

Engine symptoms	8-10
Transmission symptoms.....	8-12
Hydraulic symptoms.....	8-13
Hitch symptoms	8-14
Brake symptoms.....	8-15
Cab environment symptoms.....	8-16
Electrical power system symptoms.....	8-17

9 SPECIFICATIONS

Engine - General specification	9-1
Transmission - General specification.....	9-2
Operating speeds.....	9-5
Vehicle dimensions and shipping weight	9-7
Maximum operating weight.....	9-9

10 ACCESSORIES

Farming system displays	10-1
Chemical tank mounting.....	10-2
Loader connection and operation	10-5
General accessories.....	10-6

11 FORMS AND DECLARATIONS

First service customer copy	11-1
First service dealer copy	11-3

1 - GENERAL INFORMATION

Note to the Owner

This manual contains important information about the safe operation, adjustment and routine maintenance of your Magnum series tractor. The manual is divided into 10 chapters as outlined in the table of contents. Refer to the index at the end of this manual for locating specific items about your tractor.

Do NOT operate or permit anyone to operate or service this machine until you or the other persons have read this manual. Use only trained operators who have demonstrated the ability to operate and service this machine correctly and safely.

This Operator's Manual is to be stored in the manual compartment behind the operator's seat in the vehicle. Make

sure this manual is in good condition. Contact your dealer to obtain additional manuals.

Your CASE IH dealer will instruct you in the general operation of your new equipment. Your dealer's staff of factory-trained service technicians will be glad to answer any questions that may arise regarding the operation of your machine. They will also provide any after-sales service you may need, and genuine CASE IH parts, your guarantee of quality and match.

Case IH Max Service is also available. Call 1-877-4CASEIH (1-877-422-7344) or email maxservice.na@cnh.com.

Engine tampering

ATTENTION: *The fuel system, exhaust after-treatment system, and engine on your machine are designed and built to government emissions standards. Tampering by dealers, customers, operators, and users is strictly prohibited by law. Failure to comply could result in govern-*

ment fines, rework charges, invalid warranty, legal action, and possible confiscation of the machine until rework to original condition is completed. Engine service and/or repairs must be done by a certified technician only!

Tractor intended use

Magnum series tractors with standard equipment and authorized attachments, are intended to be used for customary farming, agricultural land leveling and related agriculture operations (intended use). Installation of utility (dozer) blades, tile plows, or push bars on the tractor is not recommended. Any tractor damage resulting from the installation and/or use of such equipment is not covered by the tractor warranty.

Consult an authorized dealer or CNH Industrial America LLC on changes, additions or modifications that can be required for this machine to comply with various regulations and safety requirements. Unauthorized modifications will cause serious injury or death. Anyone mak-

ing such unauthorized modifications is responsible for the consequences.

Do not use this machine for any purpose or in any manner other than as described in the manual, decals, or other product safety information provided with the machine. These materials define the machine's intended use.

Use in any other way is considered as contrary to the intended use. The manufacturer accepts no liability for any damage or injury resulting from this misuse and these risks must be born solely by the user.

Electro-Magnetic Compatibility (EMC)

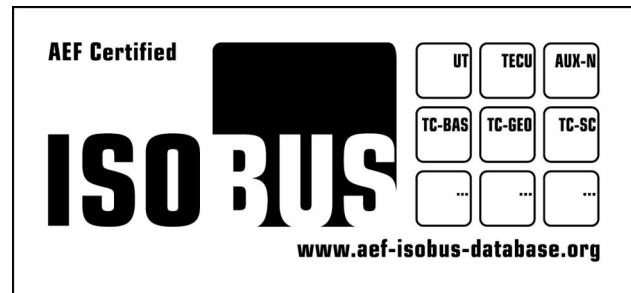
Interference may arise as a result of add-on equipment that may not necessarily meet the required standards. As such interference can result in serious malfunction of the unit and/or create unsafe situations, you must observe the following:

- The maximum power of emission equipment (radio, telephones, etc.) must not exceed the limits imposed by the national authorities of the country where you use the machine
- The electro-magnetic field generated by the add-on system should not exceed **24 V/m** at any time and at any location in the proximity of electronic components
- The add-on equipment must not interfere with the functioning of the on board electronics

Failure to comply with these rules will render the CASE IH warranty null and void.

ISOBUS certification

The Agricultural Industry Electronics Foundation (AEF) certified label indicates that various system components are in compliance with the ISOBUS 11783 standard. The software in your tractor ISOBUS control module – the Tractor Electronic Control Unit (TECU) – has been independently tested and received basic TECU certification.





RAIL14TR02690AA 1

Product identification

Tractor model and Product Identification Number (PIN)

Write your model number, Product Identification Number (PIN) or serial number of major components on the lines provided. If needed, give these numbers to your dealer when you need parts or information for your machine.

		CNH Industrial America LLC Racine, WI 53404 U.S.A. Made In U.S.A.		Year of Construction 3	Model Year 4	 MP04
Type 1	EEC Number 2	Product Identification Number 5				
• Total Permissible Mass (*): 6 kg • Permissible Front Axle Load (*): 7 kg • Permissible Rear Axle Load (*): 8 kg (* Depending on the Tires 9)		Permissible Towable Mass: • Unbraked Towable Mass: 10 kg • Independently-Braked Towable Mass: 11 kg • Inertia-Braked Towable Mass: 12 kg • Towable Mass Fitted with an Assisted Braking System: (Hydraulic or Pneumatic): 13 kg				

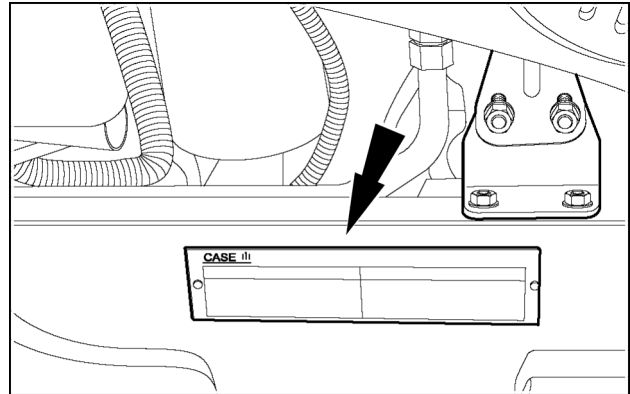
RAIL14TR02078EA 1

1. Type	8. Permissible rear axle load (*):
2. EEC number	9. (* Depending on the tires
3. Year of construction	Permissible towable mass:
4. Model year	• 10. Unbraked towable mass:
5. Product identification number	• 11. Independently-braked towable mass:
6. Total permissible mass (*):	• 12. Inertia braked towable mass:
7. Permissible front axle load (*):	• 13. Towable mass fitted with an assisted braking system: (hydraulic or pneumatic)

Model :

PIN

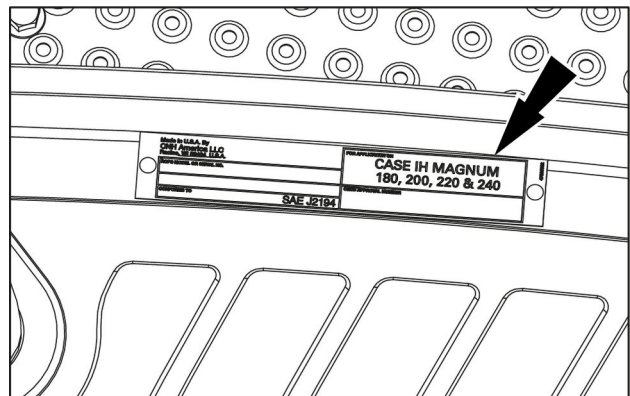
NOTE: Located on right hand front frame casting.



RCPH08CCH625AAB 2

Roll Over Protective Structure (ROPS) serial number

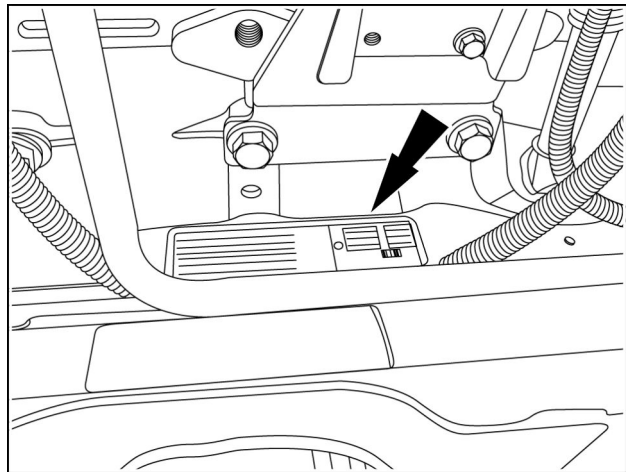
NOTE: Located on the right hand cab floor.



RAIL13TR04461AA 3

Engine serial number

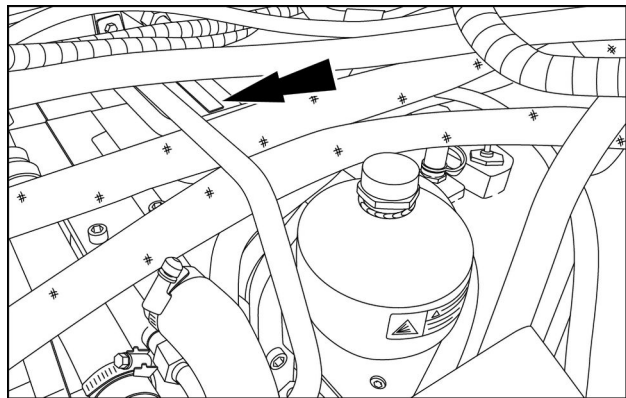
NOTE: Located on the right hand side of the engine on the casting. A serial number decal is also located on the top of the valve cover.



RCPH10CCH009BAA 4

Transmission serial number

NOTE: Located on the right hand side of the Powershift transmission behind and to the left of the battery carrier. Located on the top of the Continuously Variable Transmission (CVT) housing, parallel to the accumulator (shown).

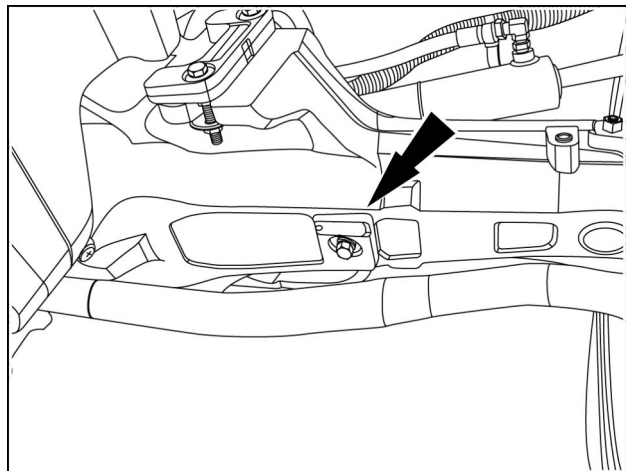


RAIL13TR03691AA 5

Axle serial number

Class 4.0 fixed front axle: Located on the front right hand side of the axle housing (shown).

Class 4.75 saddle suspended front axle: Located on the rear left hand side of the axle housing (not shown).



RCPH10CCH010BAA 6

Buy Now



Our support email:

ebooklibonline@outlook.com