

ORIGINAL INSTRUCTIONS

FARMALL® 40B CVT
FARMALL® 45B CVT
FARMALL® 50B CVT
Compact Tractor

OPERATOR'S MANUAL

Part number 48028211

4th edition English

October 2017

Replaces part number 47711720



Contents

1 GENERAL INFORMATION

Note to the owner.....	1-1
Intended use.....	1-3
Machine orientation.....	1-4
Product Identification Number (PIN).....	1-5
Operator's manual storage on the machine.....	1-7
Electro-Magnetic Compatibility (EMC).....	1-8

2 SAFETY INFORMATION

Safety alert symbol and signal word definition.....	2-1
Safety rules.....	2-2
Ecology and the environment.....	2-8
Proposition 65.....	2-9
Safety features.....	2-10
Safety signs.....	2-11
Instructional signs.....	2-18

3 CONTROLS AND INSTRUMENTS

ACCESS TO OPERATOR'S PLATFORM

Doors.....	3-1
------------	-----

OPERATOR'S SEAT

Operator's seat - Adjust.....	3-2
Operator's seat belt-Care.....	3-3

FORWARD CONTROLS

Steering wheel - Adjust.....	3-4
Instrument panel.....	3-5
ADIC programming.....	3-10
ADIC fault codes - Transmission related.....	3-25
Status and warning icons.....	3-27
Hand throttle lever.....	3-29
Front window wiper/washer.....	3-30

LEFT-HAND SIDE CONTROLS

Transmission shuttle shift lever.....	3-31
Continuously Variable Transmission (CVT) controls.....	3-32
Four-Wheel Drive (4WD) system - Control.....	3-37
Four-Wheel Drive (4WD) system - Control.....	3-38
Differential lock pedal.....	3-39

RIGHT-HAND SIDE CONTROLS

Foot throttle pedal.....	3-40
--------------------------	------

Fuel shut off valve	3-41
Power Take-Off (PTO) controls	3-41
Hydraulic power lift (HPL)	3-44
Rear remote control valve(s)	3-45
Mid mount two -- spool remote control valve	3-46
Mid mount two -- spool remote control valve	3-47

REARWARD CONTROLS

Rear window	3-48
Auxiliary power outlet	3-49
Rear window wiper/washer (optional)	3-50

OVERHEAD CONTROLS

Cab climate control - Overview	3-51
Air conditioning - Adjust	3-52
Sun shades	3-56
Cab internal lighting	3-57

EXTERIOR CONTROLS

Hood latch	3-58
Rear-view outside mirrors - Adjust	3-58

4 OPERATING INSTRUCTIONS

COMMISSIONING THE UNIT

CVT transmission controls - Settings and adjustments	4-1
Suggested operating mode settings - Basic user interface	4-18
Suggested operating mode settings - Enhanced user interface	4-20
Power Take-Off (PTO) operation	4-22
Extendable drawbar	4-23
Deluxe three-point linkage	4-25

STARTING THE UNIT

Ignition switch - Control identification	4-26
Pre-heating the system	4-26
Engine starting system - Dynamic description	4-27

STOPPING THE UNIT

Stopping the engine	4-30
Service brakes	4-31
Park brake	4-32

5 TRANSPORT OPERATIONS

ROAD TRANSPORT

External lighting - Identification	5-1
External lighting - Control - Multifunction stalk switch	5-3
External lighting - Control	5-4

RECOVERY TRANSPORT

Preparation for towing	5-7
Preparation for towing , This instruction pertains to CVT tractors with transmissions with serial numbers of 0121 and higher	5-8

6 WORKING OPERATIONS

GENERAL INFORMATION

Fuel tank - Fill	6-1
Engine - Running-in Procedure.....	6-2
Driving the tractor.....	6-2

Tractor hydraulics

Hydraulic systems - Safety rules	6-3
Hydraulic power lift (HPL)	6-3
Position control	6-4
Hydraulic lift rocker	6-5
HPL drop rate control valve	6-6
Rear remote control valve(s)	6-7
Rear remote valve configuration	6-8
Mid mount two -- spool remote control valve	6-9
Hydraulic manifold block/diverter valve.....	6-10
Mid mount two -- spool remote control valve	6-11

7 MAINTENANCE

GENERAL INFORMATION

Safety rules	7-1
Torque - Minimum tightening torques for normal assembly	7-2
Diesel fuel	7-7
Biodiesel fuel	7-8
Toolbox	7-9
Consumables.....	7-10

MAINTENANCE CHART

Maintenance chart.....	7-11
------------------------	------

Seasonally

Check the air-conditioning system	7-12
---	------

Every 10 hours or daily

Check engine oil level	7-13
Check air cleaner	7-14
Windshield wiper reservoir	7-15
Check engine coolant level.....	7-16

After first 50 hours

Change engine oil	7-17
-------------------------	------

Replace hydraulic oil filter	7-19
Replace the engine fuel filter	7-20

Every 50 hours

50 hours grease zerks	7-21
50 hours grease zerks	7-22
50 hours grease zerks Front axle pivots, final drive housing grease points	7-23
Fan belt tension -check	7-25
Fan belt tension - adjust	7-26
Check the battery	7-27
Tires	7-29
Wheel bolts	7-30
Check the transmission fluid level	7-31
Differential oil Early production	7-32
Differential oil Later production	7-33
Air conditioning compressor drive belt	7-35

Every 100 hours

Fuel filter - drain	7-36
Air cleaner primary element - cleaning	7-37
Cab air filter	7-38

Every 200 hours

Change engine oil	7-39
Fan belt tension -check	7-41
Fan belt tension - adjust	7-42
Air conditioning compressor drive belt	7-43

Every 300 hours

Fuel filter - replace	7-44
Change the transmission fluid	7-45
Replace the transmission fluid filter	7-46
Transmission pressure filter replace	7-47
Transmission control valve filter replace	7-48
Differential fluid - change (4WD) Early production	7-49
Differential fluid - change (4WD) Later production	7-51

Every 600 hours

G-Rotor pump inner filter cleaning	7-54
--	------

Every 1000 hours

Engine air cleaner replace	7-55
Cab air filter replace	7-56

Every 12 months

Change the engine coolant.....	7-57
--------------------------------	------

Periodically

Alternator - check.....	7-58
Cab frame check	7-59
Check seatbelt.....	7-60

As required

Engine coolant thermostat.....	7-61
Fan belt.....	7-62
Bleeding air in fuel system	7-63
Fuel injector lines.....	7-65
Fuse and relay box replace.....	7-66
Headlight	7-70
Taillight	7-71
Turn signal/Hazard light bulb replacement	7-72
Cab Work Lights.....	7-74
Service brakes - adjust	7-75
Park brake - adjust	7-78

STORAGE

Storage - Storing	7-79
Storage - Check - Tractor	7-80

8 SPECIFICATIONS

Consumables.....	8-1
General specifications	8-2
Wheel tread settings.....	8-3
Wheel tread settings.....	8-4
Front wheels - Weight	8-5
Engine - General specification	8-6
Frame - Dimension	8-12

9 ACCESSORIES

Front ballast - Install	9-1
Front ballast - Install	9-3
Counterweight - Install.....	9-5
Rear wheel ballasts - Install	9-6
Early Grille guard	9-7
Later Grille guard	9-8
Radio/CD player	9-9
Early production tractor two spool remote valve	9-10
Mid mount two spool remote control valve	9-11
Window grille guard	9-12
Roof Beacon.....	9-13
Factory installed winter packages	9-14

10 FORMS AND DECLARATIONS

Pre-delivery report - Owner's copy	10-1
Pre-delivery report - Dealer's copy	10-3



1 - GENERAL INFORMATION

Note to the owner

This manual contains information concerning the adjustment and maintenance of your new equipment. You have purchased a dependable machine, but only by proper care and operation can you expect to receive the performance and long service built into this equipment. Please have all operators read this manual carefully and keep it available for ready reference.

Your CASE IH dealer will instruct you in the general operation of your new equipment. (Refer to the 'Delivery Report' at the back of this manual.) Your dealer's staff of factory-trained service technicians will be glad to answer any questions that may arise regarding the operation of your machine.

Your CASE IH dealer carries a complete line of genuine CASE IH service parts. These parts are manufactured and carefully inspected to insure high quality and accurate fitting of any necessary replacement parts. Be prepared to give your dealer the model and product identification number of your new equipment when ordering parts. Locate these numbers now and record them below. Refer to the 'General Information' section of this manual for the location of the model and product identification numbers of your machine.

PLEASE RECORD THE FOLLOWING INFORMATION

Model

Product Identification Number (PIN)

Date Purchased

Engine Model

Engine PIN



This is the safety alert symbol. It is used with and without signal words to alert you to potential personal injury hazards. Obey all safety messages that follow this symbol to avoid possible death or injury.

⚠ WARNING

Illustrations in this manual may show protective shielding open or removed to better illustrate a particular feature or adjustment.

Replace all shields before operating the machine.

Failure to comply could result in death or serious injury.

W0012A

IMPROVEMENTS

CNH America LLC is continually striving to improve its products. We reserve the right to make improvements or changes when it becomes practical and possible to do so, without incurring any obligation to make changes or additions to the equipment sold previously.

ATTENTION: The engine and fuel system on your machine is designed and built to government emission standards. Tampering by dealer, customers, operators, and end users is strictly prohibited by law. Failure to comply could result in government fines, rework charges, invalid warranty, legal action, and possible confiscation of the machine until rework to original condition is completed. Engine service and/or repairs must be done by a certified technician only!

Intended use

This machine was designed to power and propel itself. It is intended for agricultural use to pull or carry tractor attachments or load and move materials when equipped with a front end loader with a variety of buckets.

PROHIBITED USAGE

No parts or attachments should be fitted to this machine, which have not been released by CASE IH. They might affect machine operation, safety of the user or other people, stability or wear characteristics of the machine.

NOTICE: *Use only approved accessories and attachments designed for your machine. Consult your dealer on changes, additions or modifications that may be required for your machine. Do not make any unauthorized modifications to your machine.*

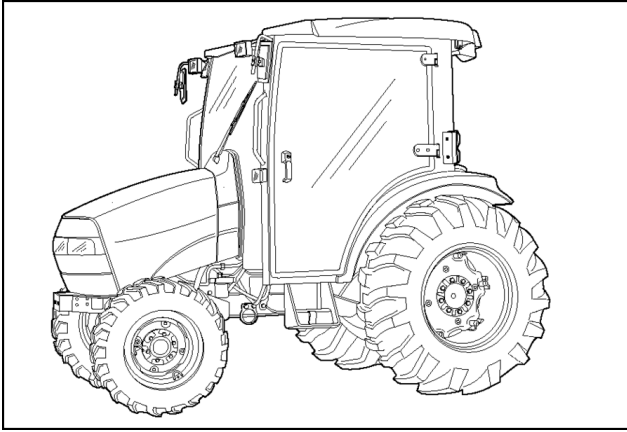
NOTICE: *DO NOT use this machine for any purpose or in any manner other than as described in the manual, decals, or other product safety information provided with the machine. These materials define the machine's intended use.*

NOTICE: *The engine and fuel system on your machine is designed and built to government emissions standards. Tampering by dealer, customers, operators and users is strictly prohibited by law. Failure to comply could result in government fines, rework charges, invalid warranty, legal action and possible confiscation of the machine until rework to original condition is completed. Engine service and/or repairs must be done by a certified technician only!*

NOTE: *All persons who will be operating this machine shall possess a valid local vehicle operating permit and/or other applicable local age work permits.*

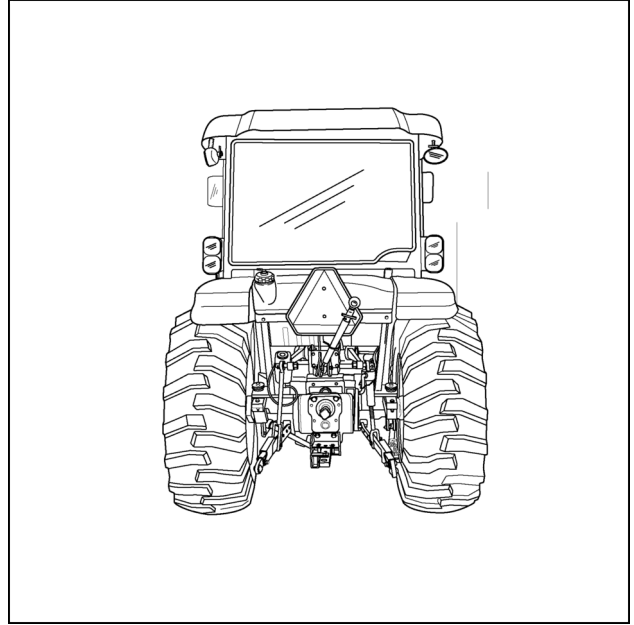
Machine orientation

NOTE: On this equipment, left-hand and right-hand are determined by standing behind the unit, looking in the direction of travel.



73076253 1

Left-hand view



86064833B 2

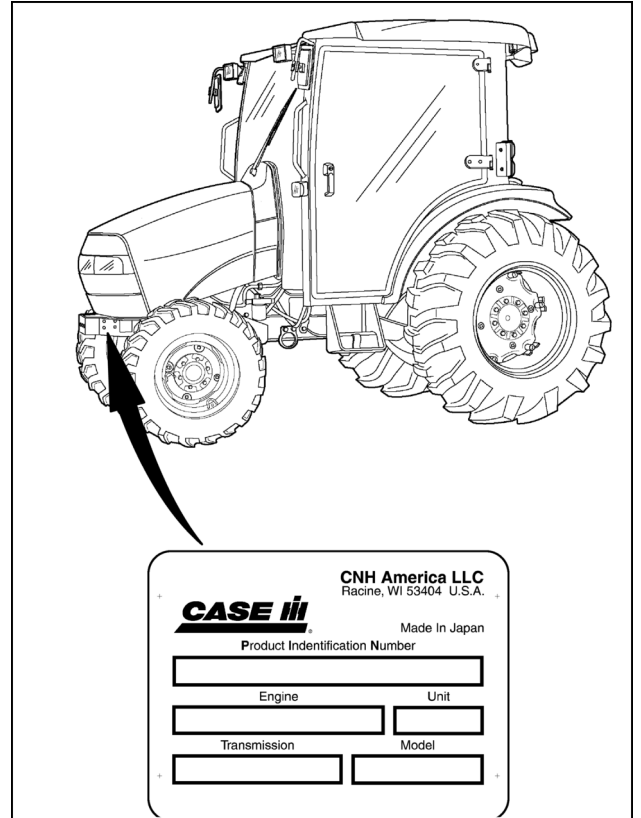
Rear view

Product Identification Number (PIN)

PLEASE READ CAREFULLY

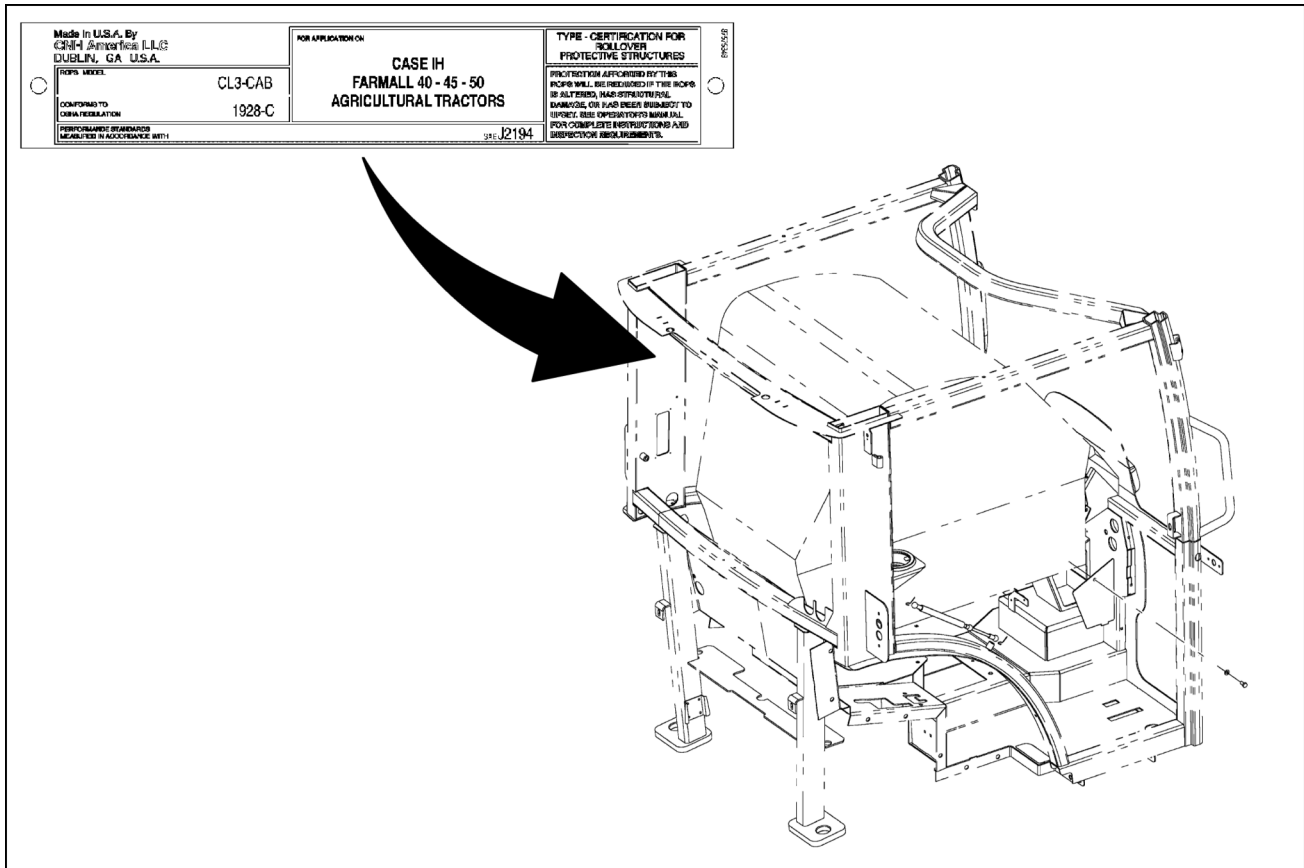
For a complete list of the pre-delivery service checks performed by your dealer, refer to the DELIVERY REPORT checklist found at the back of this manual. Keep one copy as your record of the service performed. The other copy should be removed from the manual and kept by your dealer. MAKE SURE THAT BOTH COPIES ARE COMPLETED AND THAT YOU AND THE DEALER SIGN BOTH COPIES.

A PRODUCT IDENTIFICATION (PIN) PLATE is located on the left-hand side of the front frame.



76103262 1

1 - GENERAL INFORMATION



20103261 2

A CAB IDENTIFICATION PLATE is located inside on the left rear pillar of the cab. The identification numbers on these plates are important in the event your tractor should require future service. For you convenience, have your dealer record these numbers in the appropriate spaces below.

CNH America LLC is continually striving to improve its products. We reserve the right to change prices, specifications, or equipment at any time without notice.

All data given in this book is subject to production variations. Dimensions and weights are approximate only, and the illustrations do not necessarily depict tractors in standard condition. For exact information about any particular tractor, please consult your CASE IH dealer.

Cab Identification # _____

Buy Now



Our support email:

ebooklibonline@outlook.com