

OPERATOR'S MANUAL

TT4.80

TT4.90

Tractor

Part number 48064894

1st edition English
September 2016



Contents

1 GENERAL INFORMATION

Note to the owner.....	1-1
Product identification	1-3

2 SAFETY INFORMATION

Safety rules.....	2-1
Ecology and the environment	2-8
General and Safety Decals.....	2-9
Trailer hitching.....	2-13

3 CONTROLS AND INSTRUMENTS

Access to operator's platform

Before operating.....	3-1
-----------------------	-----

Operator's seat

Operator's seat	3-1
Seat belt (where fitted)	3-2

Forward controls

Instrument cluster	3-3
Hand controls and switches	3-6
Clutch pedal	3-8
Brake pedals	3-8
Transmission shuttle shift lever.....	3-9
Foot throttle pedal	3-10
Steering wheel tilt adjustment	3-10

Left-hand side controls

Transmission range lever.....	3-11
Four-Wheel Drive (4WD)	3-12
PTO Lever.....	3-13
Parking brake.....	3-14
Creeper lever (where fitted)	3-14
Splitter lever (where fitted)	3-14

Right-hand side controls

Differential lock	3-15
Transmission main shift lever.....	3-15

4 OPERATING INSTRUCTIONS

Starting the unit

Starting the engine	4-1
---------------------------	-----

Stopping the unit

Stopping the engine	4-5
---------------------------	-----

Moving the unit

Roll over protective structure (ROPS)	4-5
---	-----

5 TRANSPORT OPERATIONS

Road transport

Towing attachments	5-1
--------------------------	-----

Recovery transport

Towing the tractor	5-2
--------------------------	-----

6 WORKING OPERATIONS

General information

Field operation	6-1
-----------------------	-----

Power Take-Off (PTO)

Power Take-Off (PTO) - Grouped Safety Message	6-1
Attaching Power-Take Off (PTO) driven equipment	6-2
Power Take-Off (PTO)	6-3

Intercooler and turbocharger

Turbocharger	6-7
Aftercooler	6-8
Oil cooler	6-8

Three-point linkage

Three-point linkage	6-9
Attaching three-point equipment	6-9
Detaching three-point equipment	6-10
Lift rods, lower links and top link	6-11

Hydraulic system

Hydraulic system	6-13
Remote valves (if fitted)	6-17

Wheel track adjustment	
Wheel tread settings	6-18

Ballasting and tires	
Ballasting and tires	6-21

7 MAINTENANCE

General information

Lubrication and maintenance general information	7-1
Refueling the tractor	7-3
Fuel saving tips for optimum performance	7-4
Guards and access panels	7-5
Lubricants and coolants	7-6
Protecting the electrical/electronic systems during charging or welding	7-7
General battery maintenance	7-8
Maintenance chart	7-9

Every 10 hours of operation or daily

Engine oil level	7-11
Radiator coolant level check	7-11
Water separator	7-12

Every 50 hours

Drain water from fuel filter	7-12
Change the engine oil	7-12
Change engine oil filter	7-13
Hydraulic oil filter	7-14
Transmission oil level Common oil level (transmission/hydraulic/steering)	7-14
Air pre-cleaner	7-14
Clutch pedal free play	7-15
Brake pedal free play	7-15
Wheel nut and bolt torque	7-16
Tire pressures and condition	7-16
Fan and alternator belt	7-16
Grease points - Two-Wheel Drive (2WD)	7-17
Grease points - Four-Wheel Drive (4WD)	7-18
Front axle - oil level	7-19

Every 150 hours

Service the engine air cleaner	7-20
Battery electrolyte level	7-22

Every 300 hours

Change the fuel filter (primary)	7-23
Bleeding the fuel injection system	7-24
Fuel feed pump filter	7-24

Change the engine oil	7-25
Change engine oil filter	7-26
Transmission oil level Common oil level (transmission/hydraulic/steering)	7-26
Hydraulic oil filter	7-26
Front axle reduction hubs - 4WD	7-27
4WD front axle swivel bearings.....	7-27
Front axle housing oil level - 4WD.....	7-27
Drive shaft sleeve for 4WD front axle connection	7-28
PTO clutch lever free play	7-28
Roll Over Protective Structure (ROPS) - adjustments.....	7-29

Every 600 hours

Service the engine air cleaner.....	7-29
Replace the engine fuel filter	7-29
Check the valve tappet clearance	7-29
Transmission breather.....	7-30
Clean, re-grease and adjust the front wheel bearing.....	7-30
Toe-in adjustment.....	7-30

Every 1200 hours

Service the engine air cleaner.....	7-30
Fuel injectors - servicing	7-30
Change the transmission fluid.....	7-31
Radiator Drain and Refill the Cooling System	7-31
Front axle housing oil level - 4WD.....	7-32
Draining the oil from the front axle final drive hub - 4WD	7-32
Brake oil (If applicable)	7-33
Fuel tank.....	7-33

General maintenance

Bleeding the fuel injection system	7-33
Engine idle speed	7-34
Headlights	7-34
Position lights.....	7-35
Fuse replacement	7-36
Protecting the electronic and electrical systems during battery charging or welding..	7-37

Storage

Tractor storage	7-39
-----------------------	------

8 TROUBLESHOOTING

Fault code resolution

Maintenance - Troubleshooting.....	8-1
------------------------------------	-----

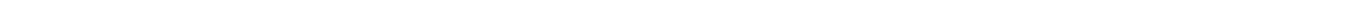
9 SPECIFICATIONS

General specification	9-1
-----------------------------	-----

General specification	9-2
Tractor dimensions	9-6
Transmission - Speeds	9-7

10 FORMS AND DECLARATIONS

Pre-delivery report - Owner's copy	10-1
Pre-delivery report - Dealer's copy	10-2



1 - GENERAL INFORMATION

Note to the owner

This manual contains information concerning the adjustment and maintenance of the tractors. Proper care and operation is must for the best performance and long service of the machine. The operator must read this manual carefully and keep the manual available for reference.

Your NEW HOLLAND dealer will instruct you in the general operation of your new equipment.
See **10-1** at the back of this manual.

Your dealer's staff of factory-trained service technicians will be glad to answer any questions that may arise regarding the operation of your tractor. .

Your NEW HOLLAND dealer carries a complete line of genuine NEW HOLLAND service parts. These parts are manufactured and carefully inspected to insure high quality and accurate fitting of any necessary replacement parts. Be prepared to give your dealer the model and product identification number of your new equipment when ordering parts. Locate these numbers now and record them below. Refer to the 'General Information' section of this manual for the location of the model and product identification numbers of your machine.

Please record the following information


Model

Vehicle Identification Number (VIN)

Date of purchase

Attachment model

Attachment model

	<p>This is the safety alert symbol. It is used with and without signal words to alert you to potential personal injury hazards. Obey all safety messages that follow this symbol to avoid possible death or injury.</p>
---	---

⚠ WARNING

Illustrations in this manual may show protective shielding open or removed to better illustrate a particular feature or adjustment.

Replace all shields before operating the machine.

Failure to comply could result in death or serious injury.

W0012A

Improvements

CNH Industrial N.V. is continually striving to improve its products. CNH Industrial N.V reserves the right to make improvements or changes when it becomes practical and possible. CNH Industrial N.V does not incur any obligation to make changes or additions to the equipment sold previously.

Intended use

Do not use this machine for any purpose or in any manner other than as described in the manual, decals, or other product safety information provided with the machine. These materials define the machine's intended use.

Use only approved accessories and attachments designed for your machine. Consult your dealer on changes, additions or modifications that may be required for your machine. Do not make any unauthorized modifications to your machine.

ATTENTION: *The engine and fuel system on your machine is designed and built to government emissions standards. Tampering by dealer, customers, operators and users is strictly prohibited by law. Failure to comply could result in government fines, rework charges, invalid warranty, legal action and possible confiscation of the machine until rework to original condition is completed. Engine service and/or repairs must be done by a certified technician only!*

Operator's age

All persons who will be operating this machine shall possess a valid local vehicle operating permit and/or other applicable local age work permits.

⚠ WARNING

IMPROPER OPERATION OF THIS MACHINE CAN CAUSE DEATH OR SERIOUS INJURY.

MAKE SURE THAT EVERY OPERATOR:

- is instructed in the safe and proper use of this machine.
 - reads and understands the operator's manual for this machine.
 - reads and understands **ALL** safety signs on the machine.
- Failure to comply could result in death or serious injury.**

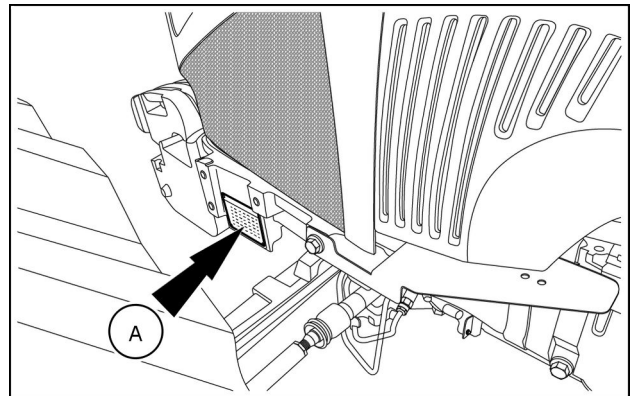
W0188A

Read and thoroughly understand this manual before operating this machine. If you are an inexperienced operator, study this manual and receive operating instructions from an experienced operator. Your dealer can assist you in learning machine operation and show you proper operating procedures. Keep this manual readily available, preferably with the machine. If the original manual is damaged, order a new one from your dealer.

Product identification

Vehicle Identification Plate (VIP)

The VIP (A) is located on the left-hand side of the front axle support. The first line represents the tractor make and the model. The second line represents the engine serial number and product code followed by transmission serial number. Record the information that is on the decal for quick reference.

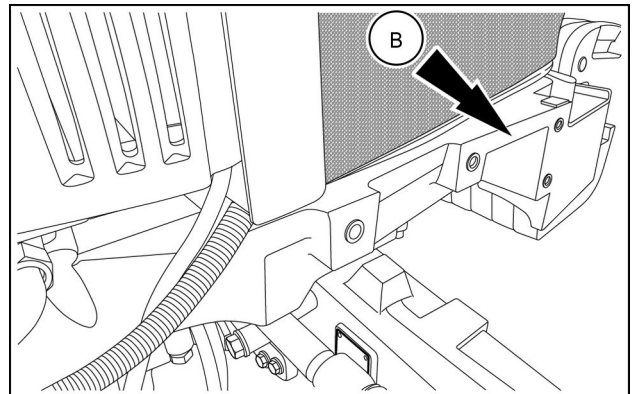


GNIL15TR00151AB 1

Vehicle Identification Number (VIN)

The tractor serial number, unit code, and engine serial number (B) are stamped on the right-hand side of the front axle support. These numbers are also repeated on the VIP.

VIN _____

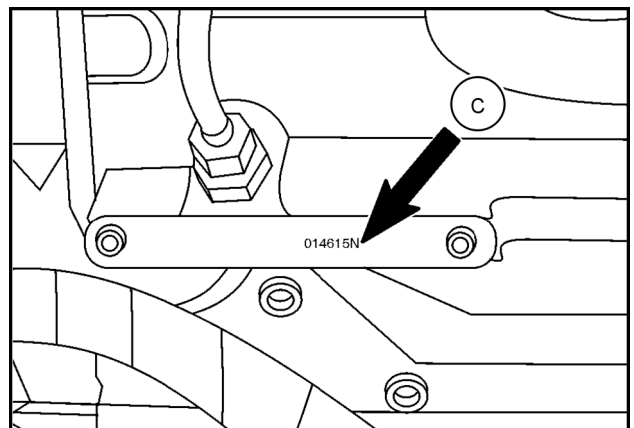


GNIL15TR00152AB 2

Engine identification number

The engine serial number (C) is stamped on the right-hand side of the engine cylinder block. This number is repeated on the VIP and also stamped on the right-hand side of the front axle support. Record the engine serial number below for quick reference.

Engine serial number _____

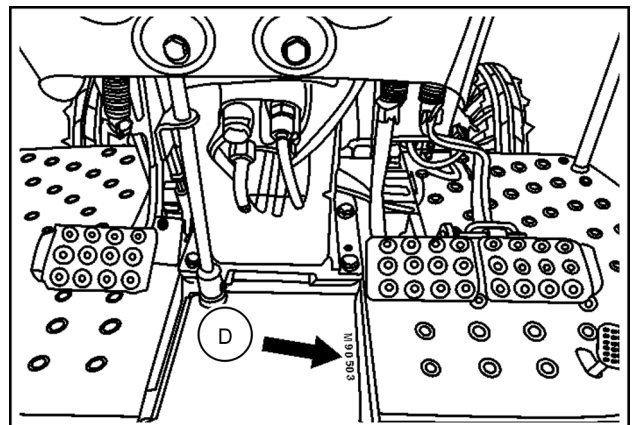


GNIL13TR00003AA 3

Transmission identification number

The transmission serial number (D) is stamped on the top of transmission housing, near the brake pedals. This information is repeated on the VIP. Record the transmission serial number below for quick reference.

Transmission serial number _____



GNIL13TR00004AA 4

2 - SAFETY INFORMATION

Safety rules


Personal safety





This is the safety alert symbol. It is used to alert you to potential personal injury hazards. Obey all safety messages that follow this symbol to avoid possible death or injury.

Throughout this manual you will find the signal words DANGER, WARNING, and CAUTION followed by special instructions. These precautions are intended for the personal safety of you and those working with you.

Read and understand all the safety messages in this manual before you operate or service the machine.

 DANGER indicates a hazardous situation that, if not avoided, will result in death or serious injury.

 WARNING indicates a hazardous situation that, if not avoided, could result in death or serious injury.

 CAUTION indicates a hazardous situation that, if not avoided, could result in minor or moderate injury.

Machine safety

NOTICE: Notice indicates a situation that, if not avoided, could result in machine or property damage.

Throughout this manual you will find the signal word 'Notice' followed by special instructions to prevent machine or property damage. The word 'Notice' is used to address practices not related to personal safety.

Information

NOTE: Note indicates additional information that clarifies steps, procedures, or other information in this manual.

Throughout this manual you will find the word Note followed by additional information about a step, procedure, or other information in the manual. The word Note is not intended to address personal safety or property damage.

General safety rules

Use caution when you operate the machine on slopes. Raised equipment, full tanks, and other loads change the center of gravity of the machine. The machine can tip or roll over when near ditches and embankments or uneven surfaces.

Never permit anyone other than the operator to ride on the machine.

Never operate the machine under the influence of alcohol or drugs, or while you are otherwise impaired.

When digging or using ground-engaging attachments, be aware of buried cables. Contact local utilities to determine the locations of services.

Pay attention to overhead power lines and hanging obstacles. High voltage lines may require significant clearance for safety.

Hydraulic oil or diesel fuel leaking under pressure can penetrate the skin, causing serious injury or infection.

- Do not use your hand to check for leaks. Use a piece of cardboard or paper.
- Stop the engine, remove the key, and relieve the pressure before you connect or disconnect fluid lines.
- Make sure that all components are in good condition. Tighten all connections before you start the engine or pressurize the system.

- If hydraulic fluid or diesel fuel penetrates the skin, seek medical attention immediately.
- Continuous long term contact with hydraulic fluid may cause skin cancer. Avoid long term contact and wash the skin promptly with soap and water.

Keep clear of moving parts. Loose clothing, jewelry, watches, long hair, and other loose or hanging items can become entangled in moving parts.

Wear protective equipment when appropriate.

Do not attempt to remove material from any part of the machine while it is being operated or while components are in motion.

Make sure that all guards and shields are in good condition and properly installed before you operate the machine. Never operate the machine with shields removed. Always close access doors or panels before you operate the machine.

Dirty or slippery steps, ladders, walkways, and platforms can cause falls. Make sure these surfaces remain clean and clear of debris.

A person or pet within the operating area of a machine can be struck or crushed by the machine or its equipment. Do not allow anyone to enter the work area.

Raised equipment and/or loads can fall unexpectedly and crush persons underneath. Never allow anyone to enter the area underneath raised equipment during operation.

Never operate the engine in enclosed spaces as harmful exhaust gases may build up.

Before you start the machine, be sure that all controls are in neutral or park lock position.

Start the engine only from the operator's seat. If you bypass the safety start switch, the engine can start with the transmission in gear. Do not connect or short across

General maintenance safety

Keep the area used for servicing the machine clean and dry. Clean up spilled fluids.

Service the machine on a firm, level surface.

Install guards and shields after you service the machine.

Close all access doors and install all panels after servicing the machine.

Do not attempt to clean, lubricate, clear obstructions, or make adjustments to the machine while it is in motion or while the engine is running.

Always make sure that working area is clear of tools, parts, other persons and pets before you start operating the machine.

terminals on the starter solenoid. Attach jumper cables as described in the manual. Starting in gear may cause death or serious injury.


Always keep mirrors, all lighting, and Slow-Moving Vehicle (SMV) emblem clean to provide the best possible visibility while you operate the machine.

Operate controls only when seated in the operator's seat, except for those controls expressly intended for use from other locations.

Before you leave the machine:

1. Park the machine on a firm, level surface.
2. Put all controls in neutral or park lock position.
3. Engage the parking brake. Use wheel chocks if required.
4. Lower all hydraulic equipment — Implements, header, etc.
5. Turn off the engine and remove the key.

When, due to exceptional circumstances, you would decide to keep the engine running after you leave the operator's station, then you must follow these precautions:

1. Bring the engine to low idle speed.
2. Disengage all drive systems.
3.  **WARNING**

Some components may continue to run down after you disengage drive systems.

Make sure all drive systems are fully disengaged.

Failure to comply could result in death or serious injury.

W0113A

Shift the transmission into neutral.

4. Apply the parking brake.

Unsupported hydraulic cylinders can lose pressure and drop the equipment, causing a crushing hazard. Do not leave equipment in a raised position while parked or during service, unless the equipment is securely supported.

Jack or lift the machine only at jack or lift points indicated in this manual.

Incorrect towing procedures can cause accidents. When you tow a disabled machine follow the procedure in this manual. Use only rigid tow bars.

Stop the engine, remove the key, and relieve pressure before you connect or disconnect fluid lines.

Stop the engine and remove the key before you connect or disconnect electrical connections.

Scalding can result from incorrect removal of coolant caps. Cooling systems operate under pressure. Hot coolant can spray out if you remove a cap while the system is hot. Allow the system to cool before you remove the cap. When you remove the cap, turn it slowly to allow pressure to escape before you completely remove the cap.

Replace damaged or worn tubes, hoses, electrical wiring, etc.

Wheels and tires

Make sure that tires are correctly inflated. Do not exceed any recommended load or pressure. Follow the instructions in the manual for proper tire inflation.

Tires are heavy. Handling tires without proper equipment could cause death or serious injury.

Never weld on a wheel with a tire installed. Always remove the tire completely from the wheel prior to welding.

Always have a qualified tire technician service the tires and wheels. If a tire has lost all pressure, take the tire and

The engine, transmission, exhaust components, and hydraulic lines may become hot during operation. Take care when you service such components. Allow surfaces to cool before you handle or disconnect hot components. Wear protective equipment when appropriate.

When welding, follow the instructions in the manual. Always disconnect the battery before you weld on the machine. Always wash your hands after you handle battery components.

wheel to a tire shop or your dealer for service. Explosive separation of the tire can cause serious injury.

Do not weld to a wheel or rim until the tire is completely removed. Inflated tires can generate a gas mixture with the air that can be ignited by high temperatures from welding procedures performed on the wheel or rim. Removing the air or loosening the tire on the rim (breaking the bead) will NOT eliminate the hazard. This condition can exist whether tires are inflated or deflated. The tire must be completely removed from the wheel or rim prior to welding the wheel or rim.

Driving on public roads and general transportation safety

Comply with local laws and regulations.

Use appropriate lighting to meet local regulations.

Make sure that the SMV emblem is visible.

Make sure that the brake pedal latch is engaged. You must lock brake pedals together for road travel.

Use safety chains for trailed equipment when safety chains are provided with machine or equipment.

Lift implements and attachments high enough above ground to prevent accidental contact with road.

When you transport equipment or a machine on a transport trailer, make sure that it is properly secured. Be sure

the SMV on the equipment or machine is covered while being transported on a trailer.

Be aware of overhead structures or power lines and make sure that the machine and/or attachments can pass safely under.

Travel speed should be such that you maintain complete control and machine stability at all times.

Slow down and signal before turning.

Pull over to allow faster traffic to pass.

Follow correct towing procedure for equipment with or without brakes.

Fire and explosion prevention

Fuel or oil that is leaked or spilled on hot surfaces or electrical components can cause a fire.

Crop materials, trash, debris, bird nests, or flammable material can ignite on hot surfaces.

Always have a fire extinguisher on or near the machine.

Make sure that the fire extinguisher(s) is maintained and serviced according to the manufacturer's instructions.

At least once each day and at the end of the day, remove all trash and debris from the machine especially around hot components such as the engine, transmission, exhaust, battery, etc. More frequent cleaning of your ma-

chine may be necessary depending on the operating environment and conditions.

At least once each day, remove debris accumulation around moving components such as bearings, pulleys, belts, gears, cleaning fans, etc. More frequent cleaning of your machine may be necessary depending on the operating environment and conditions.

Inspect the electrical system for loose connections and frayed insulation. Repair or replace loose or damaged parts.

Do not store oily rags or other flammable material on the machine.

Do not weld or flame cut any items that contain flammable material. Clean items thoroughly with non-flammable solvents before welding or flame-cutting.

Do not expose the machine to flames, burning brush, or explosives.

Promptly investigate any unusual smells or odors that may occur during operation of the machine.

General battery safety

Always wear eye protection when you work with batteries.

Follow the manufacturer's instructions when you store and handle batteries.

Do not create sparks or have open flame near a battery.

Battery post, terminals, and related accessories contain lead and lead compounds. Wash hands after handling. This is a California Proposition 65 warning.

Ventilate the area when you charge a battery or use a battery in an enclosed area.

Battery acid causes burns. Batteries contain sulfuric acid. Avoid contact with skin, eyes, or clothing. Antidote (external): Flush with water. Antidote (eyes): flush with water for 15 minutes and seek medical attention immediately. Antidote (internal): Drink large quantities of water or milk. Do not induce vomiting. Seek medical attention immediately.

Disconnect the negative (-) terminal first and reconnect the negative (-) terminal last.

Keep out of reach of children and other unauthorized persons.

When you weld on the machine, disconnect both terminals of the battery.

Do not weld, grind, or smoke near a battery.

When you use auxiliary batteries or connect jumper cables to start the engine, use the procedure shown in the operator's manual. Do not short across terminals.

Operator presence system

Your machine is equipped with an operator presence system to prevent the use of some features while the operator is not in the operator's seat.

Never disconnect or bypass the operator presence system.

If the operator presence system is inoperable, then it must be repaired.

Power Take-Off (PTO)

PTO-driven machinery can cause death or serious injury. Before you work on or near the PTO shaft or service or clear the driven machine, put the PTO lever in the disengage position, stop the engine, and remove the key.

- Match the right tractor PTO spline and speed with the PTO driveshaft provided with an implement. This will assure proper geometry and operating speed.

Whenever a PTO is in operation, a guard must be in place to prevent death or injury to the operator or bystanders.

- Never operate **540 RPM** implements at **1000 RPM**.

- Never operate **1000 RPM** implements at **540 RPM**.

When doing stationary PTO work, keep clear of all moving parts and make sure that appropriate guards are in place.

- Use of PTO adaptors will void the warranty of the drive-shaft, and the PTO drive train of the machine and implement.

Never use a spline adaptor:

- For correct hitch geometry, refer to the operator's manual for each implement you connect.

Reflectors and warning lights

You must use flashing amber warning lights when you operate equipment on public roads.

Seat belts

Seat belts must be worn at all times.

- Keep sharp edges and items than can cause damage away from the belts.

Seat belt inspection and maintenance:

- Keep seat belts in good condition.

- Periodically check belts, buckles, retractors, tethers, slack take-up system, and mounting bolts for damage and wear.

Thank you so much for reading.
Please click the “Buy Now!”
button below to download the
complete manual.



After you pay.

You can download the most
perfect and complete manual in
the world immediately.

Our support email:

ebooklibonline@outlook.com