

ORIGINAL INSTRUCTIONS

OPERATOR'S MANUAL

Boomer™ 25

Tier 3

Compact Tractor

Part number 48098985

1st edition English

October 2018



Contents

1 GENERAL INFORMATION

Note to the owner.....	1-1
Intended use.....	1-2
Electro-Magnetic Compatibility (EMC)	1-4
Product Identification Number (PIN).....	1-5
Operator's manual storage	1-6
Machine orientation.....	1-7

2 SAFETY INFORMATION

Safety rules and signal word definitions	2-1
Safety rules.....	2-2
Starting up the machine safely	2-14
Stopping the machine safely	2-16
Do not operate tag.....	2-17
Ecology and the environment	2-18
Safety signs	2-19
Instructional signs	2-27
International symbols.....	2-30
Safety features	2-31

3 CONTROLS AND INSTRUMENTS

Access to operator's platform

Access to operator's platform	3-1
-------------------------------------	-----

Operator's seat

Seat belt	3-1
Mechanically adjusted operator's seat	3-2
Roll Over Protective Structure (ROPS).....	3-3

Forward controls

Instrument panel.....	3-5
Clutch pedal	3-7
Brake pedals	3-8
Park brake	3-9
Foot throttle pedal	3-10
Hand throttle lever	3-11
Power Take-Off (PTO) switch.....	3-12
Key switch	3-13
Differential lock pedal.....	3-14
Multifunction light switch.....	3-15

Left-hand side controls

Transmission range lever.....	3-16
-------------------------------	------

Transmission range lever.....	3-17
Four-Wheel Drive (4WD).....	3-18

Right-hand side controls

Transmission main shift lever.....	3-19
Hydraulic Power Lift (HPL).....	3-20
Hydraulic Power Lift (HPL) drop rate control valve.....	3-20
Rear remote hydraulic valve(s) (optional).....	3-21
Mid mount two spool hydraulic valve (optional).....	3-22
Power Take Off (PTO) - Selection lever.....	3-24

Exterior controls

Hood latch.....	3-25
-----------------	------

4 OPERATING INSTRUCTIONS

Commissioning the unit

Engine break-in procedure.....	4-1
Power Take Off (PTO).....	4-2
Three-point hitch.....	4-4
Three-point hitch adjustments.....	4-5
Tractor drawbar.....	4-7
Hydraulic lift rocker.....	4-8

Starting the unit

Key switch.....	4-9
Cold starting aids.....	4-10
Starting the engine.....	4-11
Starting the tractor with jumper cables.....	4-13

Stopping the unit

Stopping the engine.....	4-14
Emergency stopping.....	4-15
Brakes.....	4-16
Park brake.....	4-17

Moving the unit

Steering operation.....	4-18
Transmission operation at low ambient temperatures.....	4-19
Mechanical transmission operation.....	4-20

Parking the unit

Parking the unit.....	4-22
-----------------------	------

5 TRANSPORT OPERATIONS

Road transport

Transport lighting	5-1
Hazard warning light operation	5-2
Turn signal operation	5-3
Work lights operation	5-4
Brake light operation	5-5
Rear work light (optional)	5-6
Driving the vehicle	5-7

Shipping transport

Carrying the tractor on a transporter	5-8
---	-----

Recovery transport

Towing the tractor	5-8
--------------------------	-----

6 WORKING OPERATIONS

General information

Tractor ballasting	6-1
Tractor ballasting weights	6-2

7 MAINTENANCE

General information

General information	7-1
Torque - Minimum tightening torques for normal assembly	7-3
Standard torque data for hydraulics - Standard torque data for hydraulics	7-8
Biodiesel fuel	7-10
General specification - Diesel fuel	7-12
Refueling the tractor	7-13
Tractor jacking points	7-14
Fluids and lubricants	7-15
Capacities	7-16
Organic Acid Technology (OAT) coolant	7-17
Engine oils	7-19

Maintenance planning

Maintenance planning	7-20
----------------------------	------

Every 10 hours or daily

Engine oil level - Check	7-22
Engine cooling system - Check	7-23

After the first 50 hours of operation

Engine oil and oil filter - Change	7-24
--	------

Fuel filter - Replace	7-25
Hydraulic oil filter - Replace	7-26
Roll Over Protective Structure (ROPS) - Check	7-27
Wheel bolts and nuts - Check	7-29

Every 50 hours

Grease fitting - Lubrication	7-30
Transmission fluid level - Check	7-31
Brake pedal free play - Adjust	7-32
Fan belt - Check	7-33
Tire pressure - Check	7-34
Front axle differential fluid level - Check	7-36
Air cleaner - Clean	7-37

Every 100 hours

Fuel filter water separator - Drain fluid	7-39
---	------

Every 300 hours

Engine oil and oil filter - Change	7-40
Hydraulic oil filter - Replace	7-40
Fuel filter - Replace	7-40
Fan belt - Adjust	7-40
Roll Over Protective Structure (ROPS) - Check	7-40
Wheel bolts and nuts - Check	7-40
Front wheel toe - in - Check	7-41
Air cleaner element - Replace	7-42

Every 600 hours

Front axle differential oil - Change fluid	7-44
Transmission fluid - Change	7-45

Every 1000 hours

Engine coolant - Change	7-46
-------------------------------	------

General maintenance

Fuel injection system - Bleed	7-47
Fuel injectors - Bleed	7-49
Fan belt - Adjust	7-50
Roll Over Protective Structure (ROPS) - Check	7-50
Battery - Test	7-50
Alternator and drive belt - Check	7-51
Fuses - Check	7-52
Maxi fuse - Replace	7-53
Headlight bulb - Replace	7-53
Tail/brake light bulb - Replace	7-55
Turn signal/hazard light bulb - Replace	7-56

Wheel bolt / nut - Check	7-57
Front wheel toe - in - Check	7-58
Brake pedal free play - Adjust	7-59
Clutch pedal free play - Adjust	7-60

Storage

Preparing for storage	7-61
Removal from storage Tractor	7-61

8 TROUBLESHOOTING

Symptom(s)

Engine - Troubleshooting	8-1
Hydraulic service brakes - Troubleshooting	8-2
Regulated/Low pressure system - Troubleshooting	8-2
Steering - Troubleshooting	8-2
Electrical system - Troubleshooting	8-3

9 SPECIFICATIONS

Tire inflation pressures	9-1
General specifications	9-2
Tractor dimensions	9-5

10 FORMS AND DECLARATIONS

Predelivery report - Owner copy	10-1
Predelivery report - Dealer copy	10-2

1 - GENERAL INFORMATION

Note to the owner

This manual contains information concerning the adjustment and maintenance of your new equipment. You have purchased a dependable machine, but only by proper care and operation can you expect to receive the performance and long service built into this equipment. Please have all operators read this manual carefully and keep it available for ready reference.

Your NEW HOLLAND dealer will instruct you in the general operation of your new equipment. Your dealer's staff of factory-trained service technicians will be glad to answer any questions that may arise regarding the operation of your machine. New Holland Top Service is also available. Go to www.newholland.com.

Your NEW HOLLAND dealer carries a complete line of genuine NEW HOLLAND service parts. These parts are manufactured and carefully inspected to insure high quality and accurate fitting of any necessary replacement parts. Be prepared to give your dealer the model and product identification number of your new equipment when ordering parts. Locate these numbers now and record them below. Refer to the 'General Information' section of this manual for the location of the model and product identification numbers of your machine.

PLEASE RECORD THE FOLLOWING INFORMATION

Model


Product Identification Number (PIN)

Date Purchased

Header Width (As Applicable)

Engine Model (As Applicable)

Engine PIN (As Applicable)

	<p>This is the safety alert symbol. It is used with and without signal words to alert you to potential personal injury hazards. Obey all safety messages that follow this symbol to avoid possible death or injury.</p>
---	---

WARNING

Illustrations in this manual may show protective shielding open or removed to better illustrate a particular feature or adjustment.

Replace all shields before operating the machine.

Failure to comply could result in death or serious injury.

W0012A

ATTENTION: *The engine and fuel system on your machine is designed and built to government emission standards. Tampering by dealer, customers, operators, and end users is strictly prohibited by law. Failure to comply could result in government fines, rework charges, invalid warranty, legal action, and possible confiscation of the machine until rework to original condition is completed. Engine service and/or repairs must be done by a certified technician only!*

IMPROVEMENTS

CNH Industrial America LLC is continually striving to improve its products. We reserve the right to make improvements or changes when it becomes practical and possible to do so, without incurring any obligation to make changes or additions to the equipment sold previously.

Intended use

⚠ WARNING

Roll-over hazard!

Always pull from the drawbar. DO NOT attach chains or ropes to the Roll Over Protective Structure (ROPS) for pulling purposes, as the machine could tip over. When driving through door openings or under low overhead objects, make sure there is sufficient clearance for the ROPS.

Failure to comply could result in death or serious injury.

W0463A

Your tractor is designed and made to pull, to carry, and to power a variety of mounted or towed equipment, although within some physical limits. The working speed and performance may depend on a number of various parameters, such as weather and terrain conditions. Though the tractor is designed to perform in combination with a variety of equipment in most crops and conditions, there may be a number of combinations of above parameters, for which there is severe degradation of performance of the tractor and/or its mounted or trailed equipment. If you notice degradation of performance, contact your dealer for assistance. He may have useful information for improvements, or a kit may be available to enhance the performance.

- Do not use the tractor for another purpose than intended by the manufacturer and outlined in this manual.
- Do not use the tractor beyond its limits of terrain gradient and stability as outlined further in this manual. Using the tractor beyond these limits may result in roll-over or tip-over. Observe the recommendations in this manual.
- Use only approved accessories and attachments that are designed for your machine. Consult your dealer on changes, additions or modifications that may be required for your machine. Do not make any unauthorized modifications to your machine.
- Do not use the tractor on higher speeds than allowed by the load and the environment. A wet surface or other low adherence conditions may increase the braking distance or result in vehicle instability. Always adapt your traveling speed according to the load of the vehicle and the characteristics of the road.
- Do not use the tractor near or on soft verges of canals and brooks or banks and verges that are undermined by rodents. The tractor may sink sideways and roll-over.
- Do not use the tractor on brittle bridge heads and poor bridge floors. These constructions may collapse and cause roll-over of the tractor. Always check out the condition and carrying capacity of bridges and ramps prior to engage.
- Do not use the tractor without wearing the seat restraint system during activities where roll-over or tip-over hazards exist. The Roll Over Protection Structure (ROPS) cab or ROPS structure will only be fully effective when the driver remains attached to his seat.
- Do not use equipment mounted on the tractor which is not correctly matching and firmly fixed. Such equipment may increase the risk for roll-over and hit the tractor when coming loose. Ensure that the dimensions of the three-point linkage interface of both the tractor and the equipment are matching according to the categories defined in ISO 730. Ensure that the dimensions and speed of the Power Take-Off (PTO) shaft on the tractors are matching those of the equipment.
- Do not use the tractor in combination with equipment, without having consulted the specific operator's manual provided with the equipment. The tractor is a universal tool to carry, tow, and drive a variety of equipment. This manual alone cannot provide you with all the information required for the safe operation of the combination.
- Do not use the tractor beyond its limits of dynamic stability. High speed, abrupt maneuvers, and fast and short cornering will increase the risk of roll-over.
- Do not use the tractor for pulling work, in cases where you do not know whether the load will yield, for instance when pulling stumps. The tractor may flip over when the stump is not yielding.
- Be cautious that the center of gravity of the tractor may increase when loads on the front-end loader or the three-point linkage are raised. In these conditions, the tractor may roll-over earlier than expected.
- Do not step down from the tractor without shutting down the PTO, shifting the transmission to park or neutral and applying the park brake, unless continued PTO operation is required for some equipment, such as pumps or wood chippers. The latter equipment may have an emergency stop device on the equipment itself, as human intervention is needed during operation. But other equipment, engaged and driven by the tractor will have no means to stop the power transmission, other than the PTO clutch of the tractor.
- You shall take the necessary precautions to always be aware of the possible presence of bystanders, certainly when maneuvering in confined areas, such as the farm yard and sheds. Keep people away from the tractor during work; ask bystanders to leave the field. There is not only the risk to be overrun by the tractor, but objects ejected by some

equipment mounted on the tractor, such as a rotary mower, may cause harm. Stones may be thrown further than the mowed crop. Pay the necessary attention while operating next to public roads or footpaths. Thrown objects can get projected outside the field and hit unprotected people like bikers or pedestrians. Wait to cut the edge of the field till it is clear of bystanders.

- Do not allow riders on the tractor; do not allow people standing on the access way or step to the cab when the tractor is moving. Your view to the left will be obstructed and a rider risks to fall from the tractor during unforeseen or abrupt movements.
- Always stay clear from implements operating area and especially do not stand between tractor and trailed vehicle either three-point linkage when operating lift controls; ensure no bystanders are near these operating areas.
- Your tractor may be equipped with a number of sensors to control safety functions. Tripping these sensors will result in a safe operation mode. Do not attempt to bypass any function on the tractor. You will be exposed to serious hazards, and moreover, the behavior of the tractor may become unpredictable.
- A tractor has only one operator station and is a one man operated vehicle. Other people on or around the tractor during normal operation are not allowed.
- All persons who will be operating this machine shall possess a valid local vehicle operating permit and/or other applicable local age work permits.
- The machine is designed and produced exclusively for agricultural use.
- The machine is not designed for light/heavy forestry applications; usage is prohibited for forestry applications.
- All other use will be considered to be contrary to the use specified by CNH INDUSTRIAL AMERICA LLC, who cannot be held liable for damage to property or the machine, or for personal injuries which may result.
- Persons who risk improper use will therefore assume the responsibility for any consequences arising from such use.
- Compliance with the instructions for use, maintenance and repairs described in this manual, are the essential pre-conditions for the use specified by CNH INDUSTRIAL AMERICA LLC.
- The machine must only be used, serviced, or repaired by personnel trained in the relevant working methods and safety regulations and who have been authorized to work on the machine.
- The engine and fuel system on your machine is designed and built to government emissions standards. Tampering by dealer, customers, operators and users is strictly prohibited by law. Failure to comply could result in government fines, rework charges, invalid warranty, legal action and possible confiscation of the machine until rework to original condition is completed. Engine service and/or repairs must be done by a certified technician only!
- The user must also observe the rules concerning general safety and accident prevention, including the Highway Code when driving on public highways.
- Any arbitrary modifications made to this machine will release CNH INDUSTRIAL AMERICA LLC from any liability resulting from damage or injury.
- CNH INDUSTRIAL AMERICA LLC and all its distribution organizations, inclusive of, but not restricted to, national, regional, or local distributors, cannot be held liable for damage resulting from the malfunction of parts and/or components not approved by CNH INDUSTRIAL AMERICA LLC.
- Under no circumstances will a guarantee be issued for products made or sold by CNH INDUSTRIAL AMERICA LLC that are damaged as a result of the malfunction of parts and/or components not approved by CNH INDUSTRIAL AMERICA LLC.

Electro-Magnetic Compatibility (EMC)

Interference may arise as a result of add-on equipment that may not necessarily meet the required standards. As such interference can result in serious malfunction of the unit and/or create unsafe situations, you must observe the following:

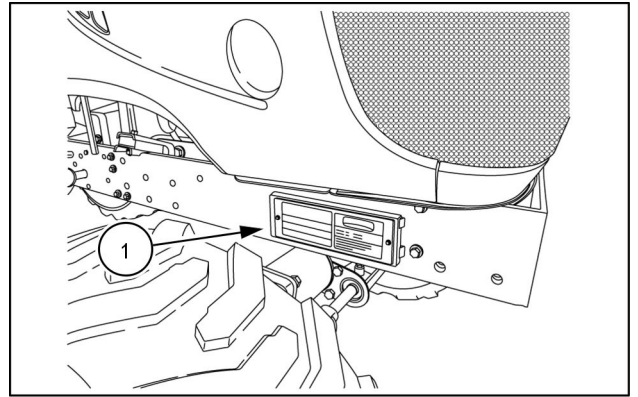
- The maximum power of emission equipment (radio, telephones, etc.) must not exceed the limits imposed by the national authorities of the country where you use the machine
- The electro-magnetic field generated by the add-on system should not exceed **24 V/m** at any time and at any location in the proximity of electronic components
- The add-on equipment must not interfere with the functioning of the on board electronics

Failure to comply with these rules will render the NEW HOLLAND warranty null and void.

Product Identification Number (PIN)

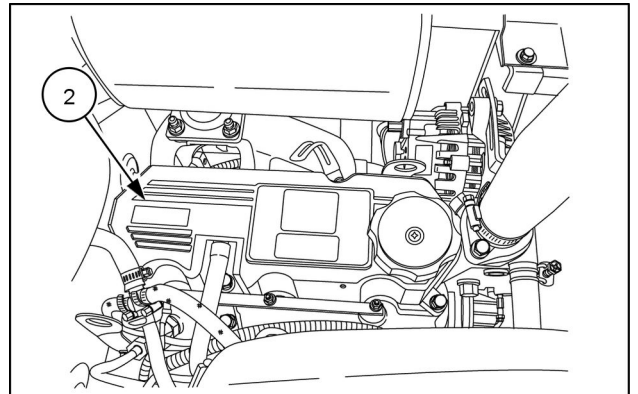
The Product Identification Plate (PIN) (1) is located on the right-hand front side of the frame.

The numbers on the plate are important in the event your tractor should require future service.



83115276 1

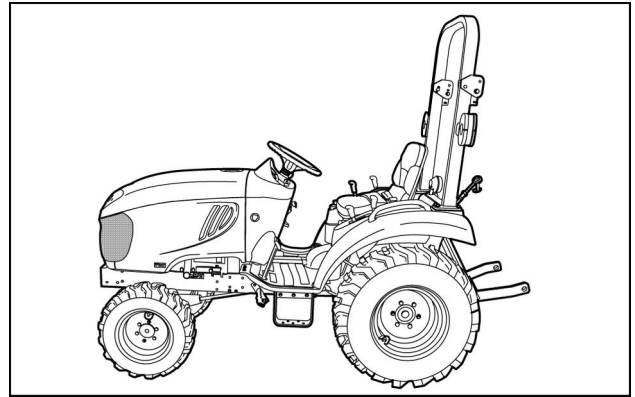
The engine identification information plate (2) is located on the rearward end of the engine valve cover.



83114160 2

Operator's manual storage

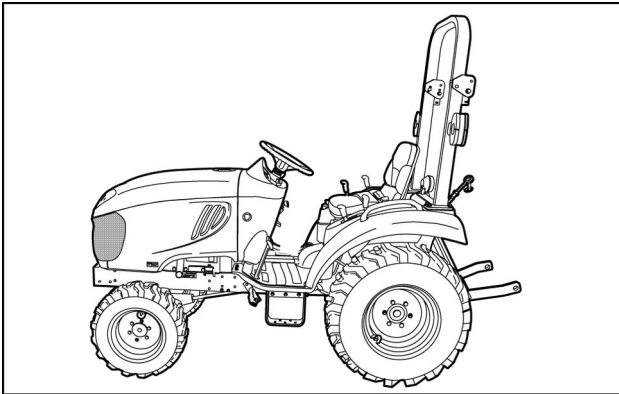
The operator's manual must be stored in a secure place prior to operation and it must be kept available for use by all operators.



83114210 1

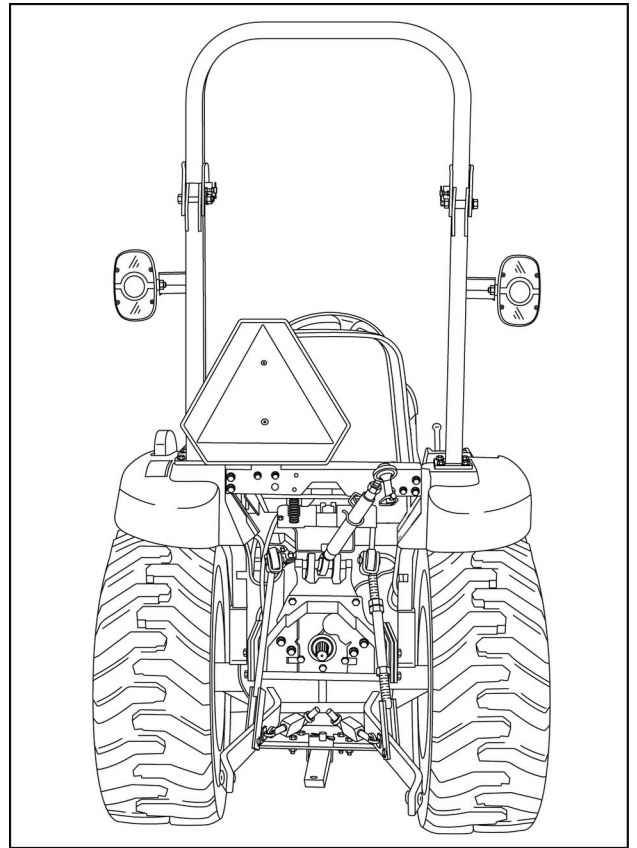
Machine orientation

NOTE: On this equipment, left-hand and right-hand are determined by standing behind the unit, looking in the direction of travel.



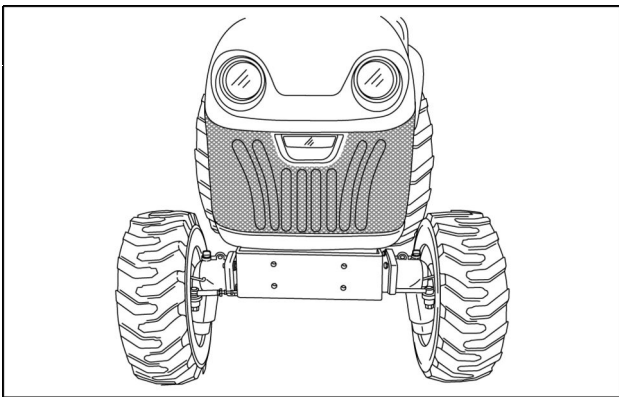
83114210 1

Left-hand view



83114164A 2

Rear view



83116708 3

Front view

2 - SAFETY INFORMATION

Safety rules and signal word definitions


Personal safety





This is the safety alert symbol. It is used to alert you to potential personal injury hazards. Obey all safety messages that follow this symbol to avoid possible death or injury.

Throughout this manual you will find the signal words DANGER, WARNING, and CAUTION followed by special instructions. These precautions are intended for the personal safety of you and those working with you.

Read and understand all the safety messages in this manual before you operate or service the machine.

 DANGER indicates a hazardous situation that, if not avoided, will result in death or serious injury.

 WARNING indicates a hazardous situation that, if not avoided, could result in death or serious injury.

 CAUTION indicates a hazardous situation that, if not avoided, could result in minor or moderate injury.

FAILURE TO FOLLOW DANGER, WARNING, AND CAUTION MESSAGES COULD RESULT IN DEATH OR SERIOUS INJURY.

Machine safety

NOTICE: Notice indicates a situation that, if not avoided, could result in machine or property damage.

Throughout this manual you will find the signal word Notice followed by special instructions to prevent machine or property damage. The word Notice is used to address practices not related to personal safety.

Information

NOTE: Note indicates additional information that clarifies steps, procedures, or other information in this manual.

Throughout this manual you will find the word Note followed by additional information about a step, procedure, or other information in the manual. The word Note is not intended to address personal safety or property damage.

Thank you so much for reading.
Please click the “Buy Now!”
button below to download the
complete manual.



After you pay.

You can download the most
perfect and complete manual in
the world immediately.

Our support email:

ebooklibonline@outlook.com