

ORIGINAL INSTRUCTIONS

OPERATOR'S MANUAL

260TLA

Loader

Part number 48124915

2nd edition English

July 2017

Replaces part number 48083524



Contents

1 GENERAL INFORMATION

Note to the owner.....	1-1
Product Identification Number (PIN).....	1-3
Machine orientation.....	1-4
Product overview	1-5

2 SAFETY INFORMATION

Safety rules.....	2-1
Safety rules.....	2-2
Foreword	2-6
Decals and plates - Safety signs	2-7

3 OPERATING INSTRUCTIONS

Commissioning the unit

Machine preparation.....	3-1
Installing the loader.....	3-2
Installing the quick-attach plate.....	3-7
Installing the quick-attach bucket.....	3-9
Installing the bucket level indicator	3-11
Connecting the hydraulics at the tractor.....	3-13

Parking the unit

Removing the quick-attach bucket	3-14
Removing the quick-attach plate	3-15
Remove the loader	3-16

4 WORKING OPERATIONS

General information

Operating the loader.....	4-1
Front remote control valve.....	4-10

5 MAINTENANCE

General information

Basic instructions.....	5-1
Daily inspection.....	5-2
Hydraulics	5-3
Consumables.....	5-4

Maintenance planning

Maintenance planning	5-5
----------------------------	-----

Daily maintenance

Front loader and bucket - Check	5-5
Front loader and bucket - Grease	5-6

First 10 hours

Front loader and bucket - Check	5-7
---------------------------------------	-----

Every 50 hours

Front loader and bucket - Check	5-7
---------------------------------------	-----

6 TROUBLESHOOTING

Symptom(s)

Front loader and bucket - Troubleshooting	6-1
---	-----

7 SPECIFICATIONS

Loader Specifications.....	7-1
Tractor ballasting	7-3
Front loader and bucket - Weight.....	7-4
Tire pressure	7-5

8 ACCESSORIES

Accessories.....	8-1
------------------	-----

9 FORMS AND DECLARATIONS

Delivery report - Owner copy - Owner copy	9-1
Delivery report - Dealer copy - Dealer copy	9-2

1 - GENERAL INFORMATION

Note to the owner

This manual contains information concerning the adjustment and maintenance of your new equipment. You have purchased a dependable machine, but only by proper care and operation can you expect to receive the performance and long service built into this equipment. Please have all operators read this manual carefully and keep it available for ready reference.

Your NEW HOLLAND dealer will instruct you in the general operation of your new equipment. (Refer to the 'Delivery Report' at the back of this manual.) Your dealer's staff of factory-trained service technicians will be glad to answer any questions that may arise regarding the operation of your machine. New Holland Top Service is also available. Call 1-866-NEWHLND (1-866-639-4563) or email na.topservice@cnh.com.

Your NEW HOLLAND dealer carries a complete line of genuine NEW HOLLAND service parts. These parts are manufactured and carefully inspected to insure high quality and accurate fitting of any necessary replacement parts. Be prepared to give your dealer the model and product identification number of your new equipment when ordering parts. Locate these numbers now and record them below. Refer to the 'General Information' section of this manual for the location of the model and product identification numbers of your machine.

PLEASE RECORD THE FOLLOWING INFORMATION


Loader Model

Product Identification Number (PIN)

Date Purchased

Attachment Model

Attachment Model

	<p>This is the safety alert symbol. It is used with and without signal words to alert you to potential personal injury hazards. Obey all safety messages that follow this symbol to avoid possible death or injury.</p>
---	---

⚠ WARNING

**Illustrations in this manual may show protective shielding open or removed to better illustrate a particular feature or adjustment.
Replace all shields before operating the machine.
Failure to comply could result in death or serious injury.**

W0012A

Improvements

CNH America LLC is continually striving to improve its products. We reserve the right to make improvements or changes when it becomes practical and possible to do so, without incurring any obligation to make changes or additions to the equipment sold previously.

Intended use

The loader was designed to mount on NEW HOLLAND approved tractors. The loader is designed to load and move materials with a variety of buckets and approved NEW HOLLAND attachments.

DO NOT use this machine for any purpose or in any manner other than as described in the manual, decals, or other product safety information provided with the machine. These materials define the machine's intended use.

Use only approved accessories and attachments designed for your machine. Consult your dealer on changes, additions or modifications that may be required for your machine. Do not make any unauthorized modifications to your machine.

Installation and operation instructions for certain hydraulic valve sets, attachments and accessories may not be included in this operator's manual.

Use the publication received with the specific item. In the case of hydraulic valves, refer to the tractor operator's manual.

NOTICE: *Loader frames are designed for specific tractor models. Do not install a loader frame on a different model than specified, without obtaining approval from CNH America LLC.*

Operator's age

All persons who will be operating this machine shall possess a valid local vehicle operating permit and/or other applicable local age work permits.

WARNING

IMPROPER OPERATION OF THIS MACHINE CAN CAUSE DEATH OR SERIOUS INJURY. MAKE SURE THAT EVERY OPERATOR:

-is instructed in the safe and proper use of this machine.

-reads and understands the operator's manual for this machine.

-reads and understands ALL safety signs on the machine.

Failure to comply could result in death or serious injury.

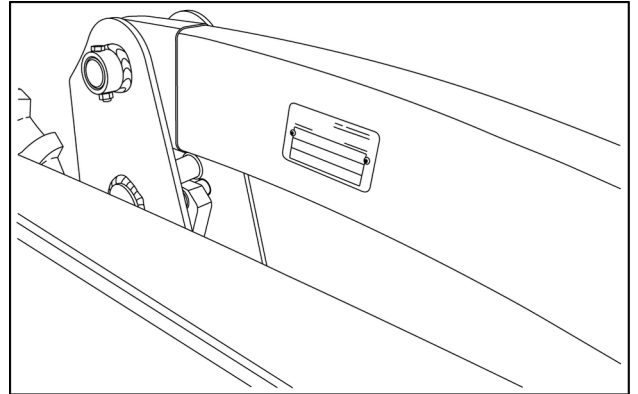
W0188A

Read and thoroughly understand this manual before operating this machine. If you are an inexperienced operator, study this manual and receive operating instructions from an experienced operator. Your dealer can assist you in learning machine operation and show you proper operating procedures. Keep this manual readily available, preferably with the machine. If the original manual is damaged, order a new one from your dealer.

Product Identification Number (PIN)

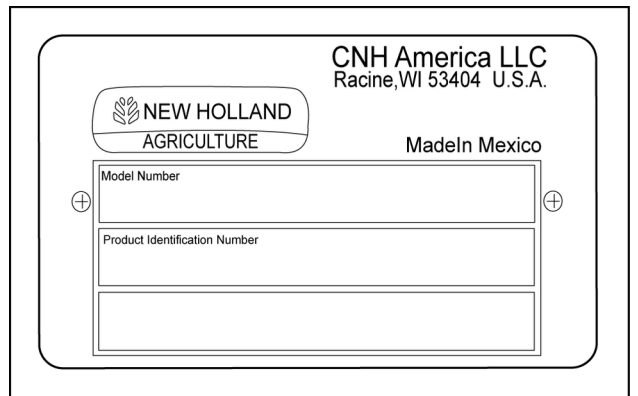
Product identification plate

A product identification plate (1) is located on the inside of the left-hand loader frame.



NHIL14CT00112AA 1

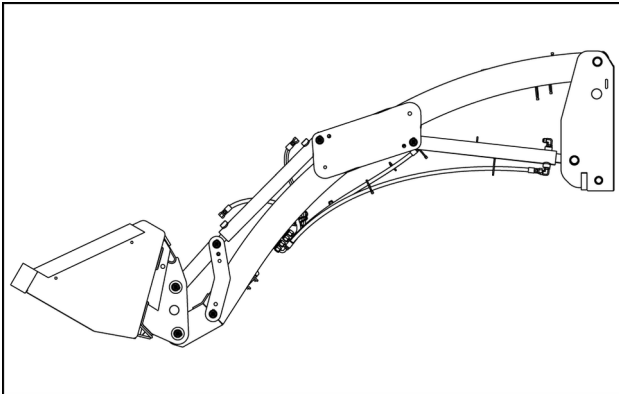
The identification numbers on this plate are important in the event that your loader should require future service.



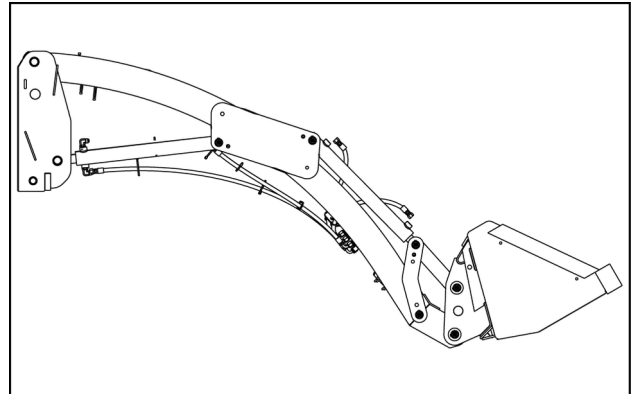
NHIL13CT00932AA 2

Machine orientation

NOTE: On this equipment, left-hand and right-hand are determined by standing behind the unit, looking in the direction of travel.

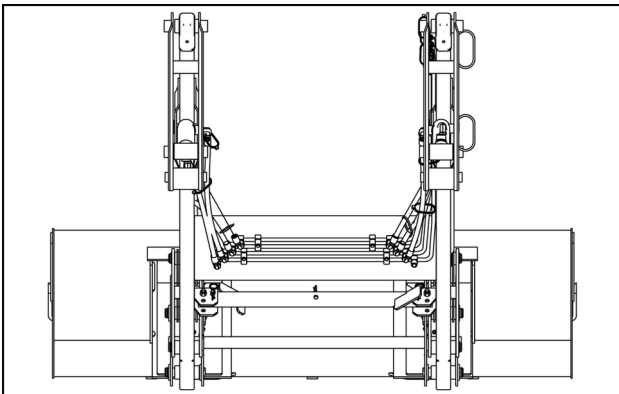


NHIL14CT00042AA 1



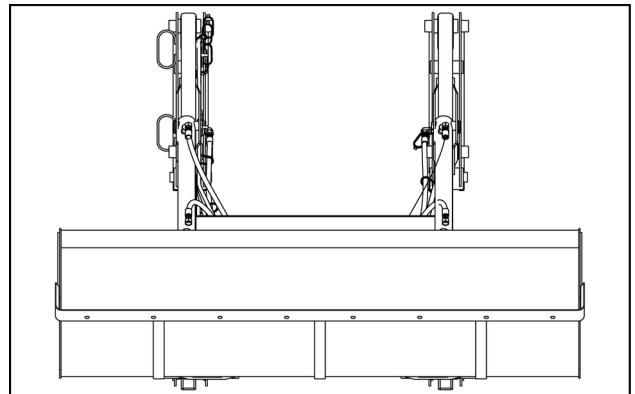
NHIL14CT00044AA 2

Left-hand view



NHIL14CT00043AA 3

Right-hand view



NHIL14CT00041AA 4

Rear view

Front view

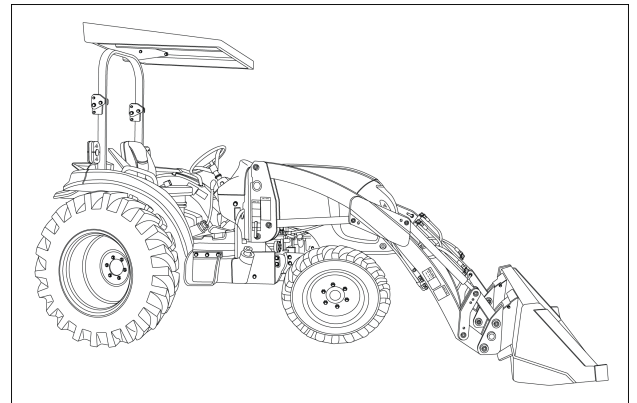
Product overview

The 260TLA loader and attachments are designed to be compatible with the following compact tractors.

Boomer™

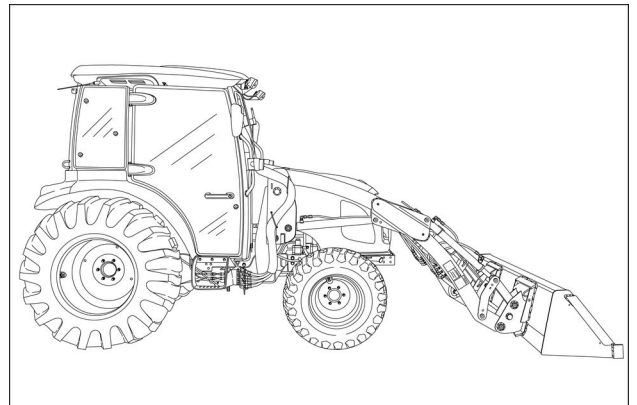
- Mechanical or Hydro-Static Transmission (HST)
 - 41, 45, 47, 50, 55

The loader is a quick attach unit, and no tools are required to mount or dismount the loader from the tractor. The loader also has its own built in park stand. A pallet fork and a complete line of heavy duty and material buckets are available. As the capacities of the buckets have been matched to tractor size, the operator can choose the bucket best suited for the tractor and the job. Bucket recommendations are listed in the Specifications section of this manual.



NHIL17CT00034FA 1

Boomer™ Roll Over-Protective Structure (ROPS)



NHIL16CT01406FA 2

Boomer™ Cab

2 - SAFETY INFORMATION

Safety rules

Personal safety



This is the safety alert symbol. It is used to alert you to potential personal injury hazards. Obey all safety messages that follow this symbol to avoid possible death or injury.

Throughout this manual and on machine safety signs, you will find the signal words DANGER, WARNING, and CAUTION followed by special instructions. These precautions are intended for the personal safety of you and those working with you.

Read and understand all the safety messages in this manual before you operate or service the machine.

! DANGER indicates a hazardous situation that, if not avoided, will result in death or serious injury. The color associated with DANGER is RED.

! WARNING indicates a hazardous situation that, if not avoided, could result in death or serious injury. The color associated with WARNING is ORANGE.

! CAUTION indicates a hazardous situation that, if not avoided, could result in minor or moderate injury. The color associated with CAUTION is YELLOW.

FAILURE TO FOLLOW DANGER, WARNING, AND CAUTION MESSAGES COULD RESULT IN DEATH OR SERIOUS INJURY.

Machine safety

NOTICE: Notice indicates a situation that, if not avoided, could result in machine damage or property damage. The color associated with Notice is BLUE.

Throughout this manual you will find the signal word Notice followed by special instructions to prevent machine damage or property damage. The word Notice is used to address practices not related to personal safety.

Information

NOTE: Note indicates additional information that clarifies steps, procedures, or other information in this manual.

Throughout this manual you will find the word Note followed by additional information about a step, procedure, or other information in the manual. The word Note is not intended to address personal safety or property damage.

Safety rules

General safety rules

Use caution when you operate the machine on slopes. Raised equipment, full tanks and other loads will change the center of gravity of the machine. The machine can tip or roll over when near ditches and embankments or uneven surfaces.

Never permit anyone other than the operator to ride on the machine.

Never operate the machine under the influence of alcohol or drugs, or while you are otherwise impaired.

When digging or using ground-engaging attachments, be aware of buried cables. Contact local utilities to determine the locations of services.

Pay attention to overhead power lines and hanging obstacles. High voltage lines may require significant clearance for safety.

Hydraulic oil or diesel fuel leaking under pressure can penetrate the skin, causing serious injury or infection.

- DO NOT use your hand to check for leaks. Use a piece of cardboard or paper.
- Stop the engine, remove the key, and relieve the pressure before you connect or disconnect fluid lines.
- Make sure that all components are in good condition. Tighten all connections before you start the engine or pressurize the system.
- If hydraulic fluid or diesel fuel penetrates the skin, seek medical attention immediately.
- Continuous long term contact with hydraulic fluid may cause skin cancer. Avoid long term contact and wash the skin promptly with soap and water.

Keep clear of moving parts. Loose clothing, jewelry, watches, long hair, and other loose or hanging items can become entangled in moving parts.

Wear protective equipment when appropriate.

DO NOT attempt to remove material from any part of the machine while it is being operated or while components are in motion.

Make sure that all guards and shields are in good condition and properly installed before you operate the machine. Never operate the machine with shields removed. Always close access doors or panels before you operate the machine.

Dirty or slippery steps, ladders, walkways, and platforms can cause falls. Make sure these surfaces remain clean and clear of debris.

A person or pet within the operating area of a machine can be struck or crushed by the machine or its equipment. DO NOT allow anyone to enter the work area.

Raised equipment and/or loads can fall unexpectedly and crush persons underneath. Never allow anyone to enter the area underneath raised equipment during operation.

Always keep windows, mirrors, all lighting, and Slow-Moving Vehicle (SMV) emblem clean to provide the best possible visibility while you operate the machine.

Operate controls only when seated in the operator's seat, except for those controls expressly intended for use from other locations.

Before you leave the machine:

1. Park the machine on a firm, level surface.
2. Put all controls in neutral or park lock position.
3. Engage the parking brake. Use wheel chocks if required.
4. Lower all hydraulic equipment — Implements, header, etc.
5. Turn off the engine and remove the key.

When, due to exceptional circumstances, you would decide to keep the engine running after you leave the operator's station, then you must follow these precautions:

1. Bring the engine to low idle speed.
2. Disengage all drive systems.

3. **WARNING**

Some components may continue to run down after you disengage drive systems.

Make sure all drive systems are fully disengaged.

Failure to comply could result in death or serious injury.

W0113A

Shift the transmission into neutral.

4. Apply the parking brake.

General maintenance safety

Keep the area used for servicing the machine clean and dry. Clean up spilled fluids.

Service the machine on a firm, level surface.

Install guards and shields after you service the machine.

Close all access doors and install all panels after servicing the machine.

Do not attempt to clean, lubricate, clear obstructions, or make adjustments to the machine while it is in motion or while the engine is running.

Always make sure that working area is clear of tools, parts, other persons and pets before you start operating the machine.

Unsupported hydraulic cylinders can lose pressure and drop the equipment, causing a crushing hazard. Do not leave equipment in a raised position while parked or during service, unless the equipment is securely supported.

Jack or lift the machine only at jack or lift points indicated in this manual.

Incorrect towing procedures can cause accidents. When you tow a disabled machine follow the procedure in this manual. Use only rigid tow bars.

Stop the engine, remove the key, and relieve pressure before you connect or disconnect fluid lines.

Stop the engine and remove the key before you connect or disconnect electrical connections.

Scalding can result from incorrect removal of coolant caps. Cooling systems operate under pressure. Hot coolant can spray out if you remove a cap while the system is hot. Allow the system to cool before you remove the cap. When you remove the cap, turn it slowly to allow

pressure to escape before you completely remove the cap.

Replace damaged or worn tubes, hoses, electrical wiring, etc.

The engine, transmission, exhaust components, and hydraulic lines may become hot during operation. Take care when you service such components. Allow surfaces to cool before you handle or disconnect hot components. Wear protective equipment when appropriate.

When welding, follow the instructions in the manual. Always disconnect the battery before you weld on the machine. Always wash your hands after you handle battery components.

Make sure that tires are correctly inflated. Do not exceed any recommended load or pressure. Follow the instructions in the manual for proper tire inflation.

Tires are heavy. Handling tires without proper equipment could cause death or serious injury.

Never weld on a wheel with a tire installed. Always remove the tire completely from the wheel prior to welding.

Always have a qualified tire technician service the tires and wheels. If a tire has lost all pressure, take the tire and wheel to a tire shop or your dealer for service. Explosive separation of the tire can cause serious injury.

DO NOT weld to a wheel or rim until the tire is completely removed. Inflated tires can generate a gas mixture with the air that can be ignited by high temperatures from welding procedures performed on the wheel or rim. Removing the air or loosening the tire on the rim (breaking the bead) will NOT eliminate the hazard. This condition can exist whether tires are inflated or deflated. The tire MUST be completely removed from the wheel or rim prior to welding the wheel or rim.

Driving on public roads and general transportation safety

Comply with local laws and regulations.

Use appropriate lighting to meet local regulations.

Make sure that the SMV emblem is visible.

Make sure that the brake pedal latch is engaged. You must lock brake pedals together for road travel.

Use safety chains for trailed equipment when safety chains are provided with machine or equipment.

Lift implements and attachments high enough above ground to prevent accidental contact with road.

When you transport equipment or a machine on a transport trailer, make sure that it is properly secured. Be sure

the SMV on the equipment or machine is covered while being transported on a trailer.

Be aware of overhead structures or power lines and make sure that the machine and/or attachments can pass safely under.

Travel speed should be such that you maintain complete control and machine stability at all times.

Slow down and signal before turning.

Pull over to allow faster traffic to pass.

Follow correct towing procedure for equipment with or without brakes.

Seat belts

Seat belts must be worn at all times.

Seat belt inspection and maintenance:

- Keep seat belts in good condition.
- Keep sharp edges and items that can cause damage away from the belts.
- Periodically check belts, buckles, retractors, tethers, slack take-up system, and mounting bolts for damage and wear.
- Replace all parts that have damage or wear.
- Replace belts that have cuts that can make the belt weak.
- Check that bolts are tight on the seat bracket or mounting.
- If the belt is attached to the seat, make sure that the seat or seat brackets are mounted securely.
- Keep seat belts clean and dry.
- Clean belts only with soap solution and warm water.
- Do not use bleach or dye on the belts because this can make the belts weak.

Personal Protective Equipment (PPE)

Wear Personal Protective Equipment (PPE) such as hard hat, eye protection, heavy gloves, hearing protection, protective clothing, etc.

Do Not Operate tag

Before you start servicing the machine, attach a 'Do Not Operate' warning tag to the machine in an area that will be visible.

Hazardous chemicals

If you are exposed to or come in contact with hazardous chemicals you can be seriously injured. The fluids, lubricants, paints, adhesives, coolant, etc. required for the function of your machine can be hazardous. They may be attractive and harmful to domestic animals as well as humans.

Material Safety Data Sheets (MSDS) provide information about the chemical substances within a product, safe handling and storage procedures, first aid measures, and procedures to take in the event of a spill or accidental release. MSDS are available from your dealer.

Before you service your machine check the MSDS for each lubricant, fluid, etc. used in this machine. This information indicates the associated risks and will help you service the machine safely. Follow the information in the

MSDS, and on manufacturer containers, as well as the information in this manual, when you service the machine.

Dispose of all fluids, filters, and containers in an environmentally safe manner according to local laws and regulations. Check with local environmental and recycling centers or your dealer for correct disposal information.

Store fluids and filters in accordance with local laws and regulations. Use only appropriate containers for the storage of chemicals or petrochemical substances.

Keep out of reach of children or other unauthorized persons.

Applied chemicals require additional precautions. Obtain complete information from the manufacturer or distributor of the chemicals before you use them.

Utility safety

When digging or using ground-engaging equipment, be aware of buried cables and other services. Contact your local utilities or authorities, as appropriate, to determine the locations of services.

Make sure that the machine has sufficient clearance to pass in all directions. Pay special attention to overhead power lines and hanging obstacles. High voltage lines may require significant clearance for safety. Contact local authorities or utilities to obtain safe clearance distances from high voltage power lines.

Retract raised or extended components, if necessary. Remove or lower radio antennas or other accessories. Should a contact between the machine and an electric power source occur, the following precautions must be taken:

- Stop the machine movement immediately.
- Apply the parking brake, stop the engine, and remove the key.
- Check if you can safely leave the cab or your actual position without contact with electrical wires. If not, stay

Thank you so much for reading.
Please click the “Buy Now!”
button below to download the
complete manual.



After you pay.

You can download the most
perfect and complete manual in
the world immediately.

Our support email:

ebooklibonline@outlook.com