

ORIGINAL INSTRUCTIONS

# OPERATOR'S MANUAL

---

**905GBL**

Backhoe

**Part number 51410064**

1<sup>st</sup> edition English

December 2017



# Contents

---

## 1 GENERAL INFORMATION

Note to the Owner .....	1-1
Intended use.....	1-2
Product Identification Number (PIN).....	1-4
Machine orientation.....	1-5
Machine components.....	1-6

## 2 SAFETY INFORMATION

Safety rules.....	2-1
Safety rules.....	2-2
Personal safety .....	2-7
Ecology and the environment .....	2-8
Safety signs .....	2-9
Instructional signs .....	2-15

## 3 CONTROLS AND INSTRUMENTS

### Operator's seat

Seat adjustment .....	3-1
-----------------------	-----

### Forward controls

Control levers.....	3-3
---------------------	-----

## 4 TRANSPORT OPERATIONS

### Road transport

Road transport.....	4-1
Swing lock .....	4-5
Boom lock .....	4-6
Stabilizer lock.....	4-7

## 5 WORKING OPERATIONS

### General information

Backhoe operations .....	5-1
Boom operation.....	5-2
Dipper and bucket operation .....	5-2
Using the stabilizers .....	5-2
Using the backhoe.....	5-3
Fill the bucket.....	5-4
Emptying the bucket.....	5-5
Positioning the backhoe .....	5-6
Digging vertical walls .....	5-6
Backfilling.....	5-6
Coupling and uncoupling .....	5-7

---

Backhoe - Dismounting.....	5-8
Backhoe - Mounting .....	5-12

## 6 MAINTENANCE

### General information

Safety rules.....	6-1
Torque - Minimum tightening torques for normal assembly .....	6-3

### Maintenance planning

Maintenance chart.....	6-8
------------------------	-----

### Every 10 hours

Grease fittings - Lubricate .....	6-8
-----------------------------------	-----

### As necessary

Hardware - Check .....	6-9
Hydraulic hoses - Check .....	6-10

### Storage

Storing the unit .....	6-11
------------------------	------

## 7 TROUBLESHOOTING

### Fault code resolution

Troubleshooting - Foreword .....	7-1
Hydraulic systems - Troubleshooting.....	7-1

## 8 SPECIFICATIONS

Backhoe specifications .....	8-1
------------------------------	-----

## 9 FORMS AND DECLARATIONS

Pre-delivery report - Dealer's copy .....	9-1
Pre-delivery report - Owner's copy .....	9-3

---

# 1 - GENERAL INFORMATION

## Note to the Owner

This manual contains information concerning the adjustment and maintenance of your new equipment. You have purchased a dependable machine, but only by proper care and operation can you expect to receive the performance and long service built into this equipment. Please have all operators read this manual carefully and keep it available for ready reference.

### PLEASE RECORD THE FOLLOWING INFORMATION

**Model**

---

**Product Identification Number (PIN)**


---

**Date Purchased**

---

**Header Width (As Applicable)**

---

	<p>This is the safety alert symbol. It is used with and without signal words to alert you to potential personal injury hazards. Obey all safety messages that follow this symbol to avoid possible death or injury.</p>
---	---

### **⚠ WARNING**

**Illustrations in this manual may show protective shielding open or removed to better illustrate a particular feature or adjustment.  
Replace all shields before operating the machine.  
Failure to comply could result in death or serious injury.**

W0012A

### IMPROVEMENTS

CNH INDUSTRIAL AMERICA LLC is continually striving to improve its products. We reserve the right to make improvements or changes when it becomes practical and possible to do so, without incurring any obligation to make changes or additions to the equipment sold previously.

## Intended use

Your backhoe is designed and made to move dig, trench, move material(s) and level, although within some physical limits. The working speed and performance may depend on a number of various parameters, such as weather and terrain conditions. Though the machine is designed to perform satisfactory in most materials and conditions, there may be a number of combinations of above parameters, for which there is severe degradation of performance of the machine. If you notice degradation of performance, contact your NEW HOLLAND dealer for assistance. He may have useful information for improvements, or a kit may be available to enhance the performance.

- Do not use the machine for another purpose than intended by the manufacturer and outlined in this manual.
- Do not use the machine beyond its limits of terrain gradient and stability as outlined further in this manual. Using the machine beyond these limits may result in roll-over or tip-over. Observe the recommendations in this manual.
- Use only approved accessories and attachments that are designed for your machine. Consult your dealer on changes, additions or modifications that may be required for your machine. Do not make any unauthorized modifications to your machine.
- Do not use the machine near or on soft verges of canals and brooks or banks and verges that are undermined by rodents. The machine may sink sideways and roll-over.
- Do not use the machine on brittle bridge heads and poor bridge floors. These constructions may collapse and cause roll-over of the machine. Always check out the condition and carrying capacity of bridges and ramps prior to engage.
- Do not use the machine without wearing the seat restraint system during activities where roll-over or tip-over hazards exist. The Roll Over Protection Structure (ROPS) structure will only be fully effective when the driver remains attached to his seat.
- Do not use the machine beyond its limits of dynamic stability. High speed, abrupt maneuvers, and fast and short cornering will increase the risk of roll-over.
- Be cautious that the center of gravity of the machine may increase when loads on the bucket or attachment are raised. In these conditions, the machine may roll-over earlier than expected.
- You shall take the necessary precautions to always be aware of the possible presence of bystanders, certainly when maneuvering in confined areas, such as the farm yard and sheds. Keep people away from the machine during work; ask bystanders to leave the field. There is not only the risk to be overrun by the machine, but objects may be dropped from a backhoe. The path of the fallen objects are unknown. Keep bystanders away from the work area.
- Do not allow riders on the machine.
- A machine has only one operator station and is a one man operated vehicle. Other people on or around the machine during normal operation are not allowed.
- All persons who will be operating this machine shall possess a valid local vehicle operating permit and/or other applicable local age work permits.
- The machine is designed and produced exclusively for agricultural use.
- The machine is not designed for light/heavy forestry applications; usage is prohibited for forestry applications.
- All other use will be considered to be contrary to the use specified by CNH INDUSTRIAL AMERICA LLC, who cannot be held liable for damage to property or the machine, or for personal injuries which may result.
- Persons who risk improper use will therefore assume the responsibility for any consequences arising from such use.
- Compliance with the instructions for use, maintenance and repairs described in this manual, are the essential pre-conditions for the use specified by CNH INDUSTRIAL AMERICA LLC.
- The machine must only be used, serviced, or repaired by personnel trained in the relevant working methods and safety regulations and who have been authorized to work on the machine.
- The user must also observe the rules concerning general safety and accident prevention, including the Highway Code when driving on public highways.
- Any arbitrary modifications made to this machine will release CNH INDUSTRIAL AMERICA LLC from any liability resulting from damage or injury.
- CNH INDUSTRIAL AMERICA LLC and all its distribution organizations, inclusive of, but not restricted to, national, regional, or local distributors, cannot be held liable for damage resulting from the malfunction of parts and/or components not approved by CNH INDUSTRIAL AMERICA LLC.

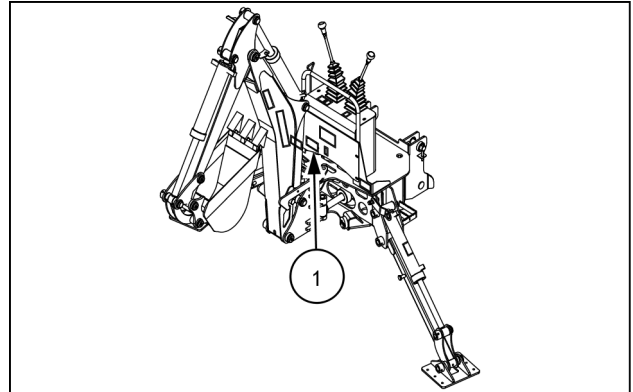
- Under no circumstances will a guarantee be issued for products made or sold by CNH INDUSTRIAL AMERICA LLC that are damaged as a result of the malfunction of parts and/or components not approved by CNH INDUSTRIAL AMERICA LLC.

## Product Identification Number (PIN)

### Product Identification Number (PIN) plate

Each backhoe has a Product Identification Number (PIN) plate (1) with an identification number. The plate is located on the frame.

The identification numbers on this plate are important in the event that your backhoe should require future service.

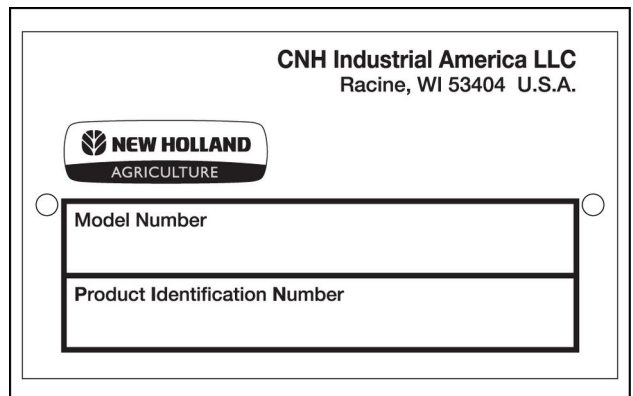


NHIL17CT01835AA 1

### The plate specifies:

Model, Product identification number, and Production Date.

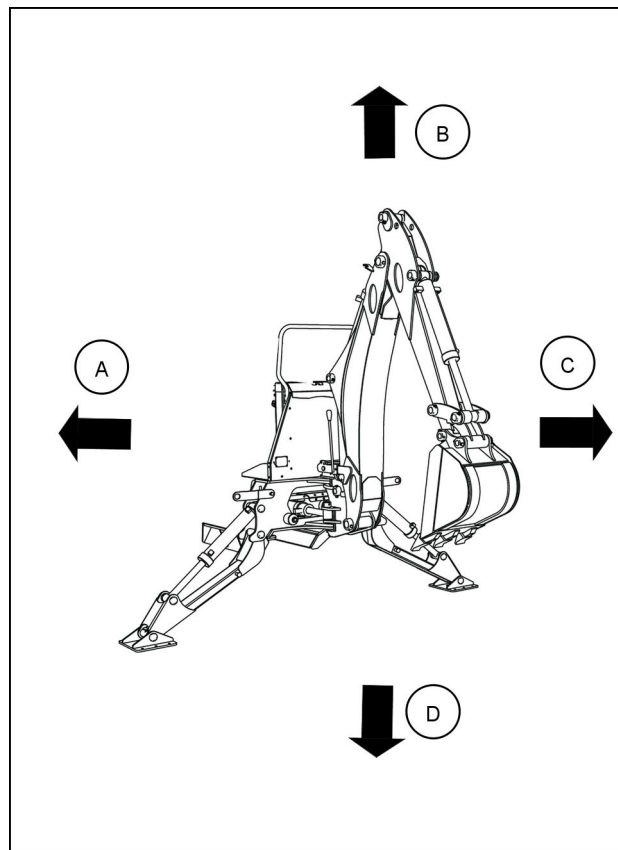
The backhoe model, product identification number, and production date must always be quoted during service questions or when spare parts are needed.



NHIL16CT01514AA 2

## Machine orientation

Throughout this operator's manual, references to the right-hand side and left-hand side are viewed from the backhoe operator's seat looking in forward direction.



NHIL17CT01767BA 1

**(A)** Right-hand side

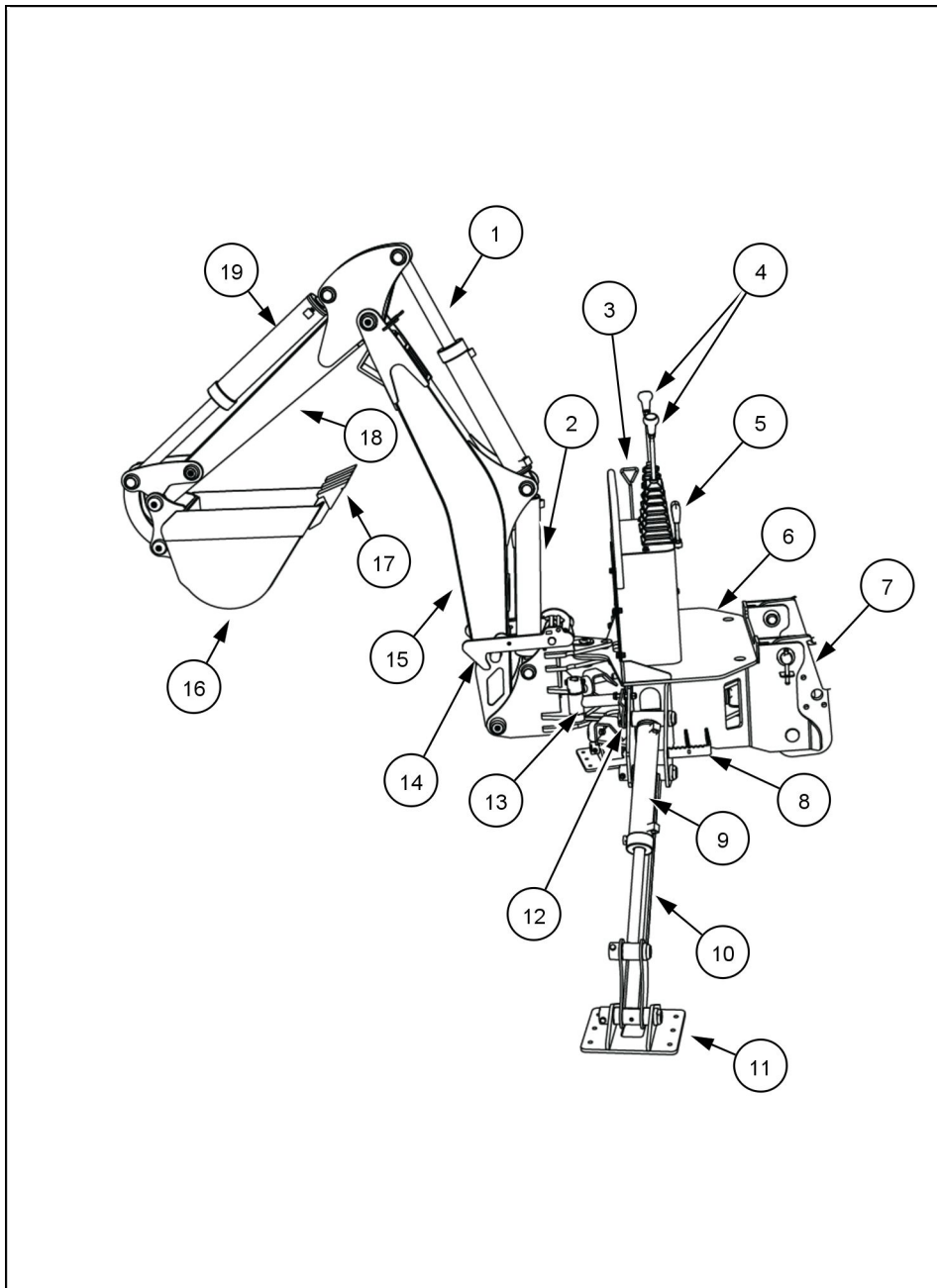
**(B)** Top

**(C)** Left-hand side

**(D)** Bottom



## Machine components



NHIL17CT01838BA 1

<b>(1)</b> Cylinder (dipperstick)	<b>(6)</b> Main frame	<b>(11)</b> Stabilizer foot	<b>(16)</b> Bucket
<b>(2)</b> Cylinder (boom)	<b>(7)</b> Sub-frame system	<b>(12)</b> Stabilizer lock	<b>(17)</b> Bucket teeth
<b>(3)</b> Swing lock pin	<b>(8)</b> Step	<b>(13)</b> Cylinder (swing)	<b>(18)</b> Dipper stick
<b>(4)</b> Control levers	<b>(9)</b> Cylinder (stabilizer)	<b>(14)</b> Boom lock	<b>(19)</b> Cylinder (bucket)
<b>(5)</b> Control levers - stabilizer	<b>(10)</b> Stabilizers	<b>(15)</b> Boom	

## 2 - SAFETY INFORMATION

### Safety rules


#### Personal safety





This is the safety alert symbol. It is used to alert you to potential personal injury hazards. Obey all safety messages that follow this symbol to avoid possible death or injury.

Throughout this manual you will find the signal words DANGER, WARNING, and CAUTION followed by special instructions. These precautions are intended for the personal safety of you and those working with you.

Read and understand all the safety messages in this manual before you operate or service the machine.

 DANGER indicates a hazardous situation that, if not avoided, will result in death or serious injury.

 WARNING indicates a hazardous situation that, if not avoided, could result in death or serious injury.

 CAUTION indicates a hazardous situation that, if not avoided, could result in minor or moderate injury.

**FAILURE TO FOLLOW DANGER, WARNING, AND CAUTION MESSAGES COULD RESULT IN DEATH OR SERIOUS INJURY.**

#### Machine safety

**NOTICE:** Notice indicates a situation that, if not avoided, could result in machine or property damage.

Throughout this manual you will find the signal word Notice followed by special instructions to prevent machine or property damage. The word Notice is used to address practices not related to personal safety.

#### Information

**NOTE:** Note indicates additional information that clarifies steps, procedures, or other information in this manual.

Throughout this manual you will find the word Note followed by additional information about a step, procedure, or other information in the manual. The word Note is not intended to address personal safety or property damage.

## Safety rules

### General safety rules

Use caution when you operate the machine on slopes. Raised equipment, full tanks and other loads will change the center of gravity of the machine. The machine can tip or roll over when near ditches and embankments or uneven surfaces.

Never permit anyone other than the operator to ride on the machine.

Never operate the machine under the influence of alcohol or drugs, or while you are otherwise impaired.

When digging or using ground-engaging attachments, be aware of buried cables. Contact local utilities to determine the locations of services.

Pay attention to overhead power lines and hanging obstacles. High voltage lines may require significant clearance for safety.

Hydraulic oil or diesel fuel leaking under pressure can penetrate the skin, causing serious injury or infection.

- DO NOT use your hand to check for leaks. Use a piece of cardboard or paper.
- Stop the engine, remove the key, and relieve the pressure before you connect or disconnect fluid lines.
- Make sure that all components are in good condition. Tighten all connections before you start the engine or pressurize the system.
- If hydraulic fluid or diesel fuel penetrates the skin, seek medical attention immediately.
- Continuous long term contact with hydraulic fluid may cause skin cancer. Avoid long term contact and wash the skin promptly with soap and water.

Keep clear of moving parts. Loose clothing, jewelry, watches, long hair, and other loose or hanging items can become entangled in moving parts.

Wear protective equipment when appropriate.

DO NOT attempt to remove material from any part of the machine while it is being operated or while components are in motion.

Make sure that all guards and shields are in good condition and properly installed before you operate the machine. Never operate the machine with shields removed. Always close access doors or panels before you operate the machine.

Dirty or slippery steps, ladders, walkways, and platforms can cause falls. Make sure these surfaces remain clean and clear of debris.

A person or pet within the operating area of a machine can be struck or crushed by the machine or its equipment. DO NOT allow anyone to enter the work area.

Raised equipment and/or loads can fall unexpectedly and crush persons underneath. Never allow anyone to enter the area underneath raised equipment during operation.

Never operate the engine in enclosed spaces as harmful exhaust gases may build up.

Before you start the machine, be sure that all controls are in neutral or park lock position.

Start the engine only from the operator's seat. If you bypass the safety start switch, the engine can start with the transmission in gear. Do not connect or short across terminals on the starter solenoid. Attach jumper cables as described in the manual. Starting in gear may cause death or serious injury.


Always keep windows, mirrors, all lighting, and Slow-Moving Vehicle (SMV) emblem clean to provide the best possible visibility while you operate the machine.

Operate controls only when seated in the operator's seat, except for those controls expressly intended for use from other locations.

Before you leave the machine:

1. Park the machine on a firm, level surface.
2. Put all controls in neutral or park lock position.
3. Engage the parking brake. Use wheel chocks if required.
4. Lower all hydraulic equipment — Implements, header, etc.
5. Turn off the engine and remove the key.

When, due to exceptional circumstances, you would decide to keep the engine running after you leave the operator's station, then you must follow these precautions:

1. Bring the engine to low idle speed.
2. Disengage all drive systems.
3.  **WARNING**

**Some components may continue to run down after you disengage drive systems. Make sure all drive systems are fully disengaged. Failure to comply could result in death or serious injury.**

W0113A

Shift the transmission into neutral.

4. Apply the parking brake.

Modifications made to this machine may increase the likelihood or potential for debris accumulations that would normally not be present. Modifications include frame-mounted attachments, plates, screens, or other aftermarket equipment. Operators of modified machines must be aware of accumulations of organic debris and/or material and overall machine cleanliness.

Modified machines require additional and more frequent inspection and cleaning during usage. The machine may require inspection and cleaning multiple times per day during usage. Operators must be aware of the operating environment and conditions. Operators must take appropriate actions to maintain the machines during use. In particular, pay attention to the following machine areas:

- In and around the engine compartment
- Hot exhaust components
- Moving, turning, or rotating machine components

Operators that operate the machine in atypical applications and/or conditions must be aware of accumulations of organic debris and/or material and overall machine cleanliness. Pay particular attention where material accumulations are possible or may result.

Machines that operate in atypical applications or conditions require additional and more frequent inspection and cleaning during usage. The machine may require inspection and cleaning multiple times per day during usage. Operators must be aware of the operating environment and conditions. Operators must take appropriate actions to maintain the machines during use. In particular, pay attention to the following machine areas:

- In and around the engine compartment
- Hot exhaust components
- Moving, turning, or rotating machine components

### **General maintenance safety**

Keep the area used for servicing the machine clean and dry. Clean up spilled fluids.

Service the machine on a firm, level surface.

Install guards and shields after you service the machine.

Close all access doors and install all panels after servicing the machine.

Do not attempt to clean, lubricate, clear obstructions, or make adjustments to the machine while it is in motion or while the engine is running.

Always make sure that working area is clear of tools, parts, other persons and pets before you start operating the machine.

Unsupported hydraulic cylinders can lose pressure and drop the equipment, causing a crushing hazard. Do not leave equipment in a raised position while parked or during service, unless the equipment is securely supported.

Jack or lift the machine only at jack or lift points indicated in this manual.

Incorrect towing procedures can cause accidents. When you tow a disabled machine follow the procedure in this manual. Use only rigid tow bars.

Stop the engine, remove the key, and relieve pressure before you connect or disconnect fluid lines.

Stop the engine and remove the key before you connect or disconnect electrical connections.

Scalding can result from incorrect removal of coolant caps. Cooling systems operate under pressure. Hot coolant can spray out if you remove a cap while the system is hot. Allow the system to cool before you remove the cap. When you remove the cap, turn it slowly to allow pressure to escape before you completely remove the cap.

Replace damaged or worn tubes, hoses, electrical wiring, etc.

The engine, transmission, exhaust components, and hydraulic lines may become hot during operation. Take care when you service such components. Allow surfaces to cool before you handle or disconnect hot components. Wear protective equipment when appropriate.

When welding, follow the instructions in the manual. Always disconnect the battery before you weld on the machine. Always wash your hands after you handle battery components.

### **Wheels and tires**

Make sure that tires are correctly inflated. Do not exceed any recommended load or pressure. Follow the instructions in the manual for proper tire inflation.

Tires are heavy. Handling tires without proper equipment could cause death or serious injury.

Never weld on a wheel with a tire installed. Always remove the tire completely from the wheel prior to welding.

Always have a qualified tire technician service the tires and wheels. If a tire has lost all pressure, take the tire and wheel to a tire shop or your dealer for service. Explosive separation of the tire can cause serious injury.

DO NOT weld to a wheel or rim until the tire is completely removed. Inflated tires can generate a gas mixture with the air that can be ignited by high temperatures from welding procedures performed on the wheel or rim. Removing the air or loosening the tire on the rim (breaking the bead) will NOT eliminate the hazard. This condition can exist

whether tires are inflated or deflated. The tire **MUST** be completely removed from the wheel or rim prior to welding the wheel or rim.

### **⚠ Driving on public roads and general transportation safety ⚠**

Comply with local laws and regulations.

Use appropriate lighting to meet local regulations.

Make sure that the SMV emblem is visible.

Make sure that the brake pedal latch is engaged. You must lock brake pedals together for road travel.

Use safety chains for trailed equipment when safety chains are provided with machine or equipment.

Lift implements and attachments high enough above ground to prevent accidental contact with road.

When you transport equipment or a machine on a transport trailer, make sure that it is properly secured. Be sure the SMV on the equipment or machine is covered while being transported on a trailer.

Be aware of overhead structures or power lines and make sure that the machine and/or attachments can pass safely under.

Travel speed should be such that you maintain complete control and machine stability at all times.

Slow down and signal before turning.

Pull over to allow faster traffic to pass.

Follow correct towing procedure for equipment with or without brakes.

### **⚠ Fire and explosion prevention ⚠**

Fuel or oil that is leaked or spilled on hot surfaces or electrical components can cause a fire.

Crop materials, trash, debris, bird nests, or flammable material can ignite on hot surfaces.

Always have a fire extinguisher on or near the machine.

Make sure that the fire extinguisher(s) is maintained and serviced according to the manufacturer's instructions.

At least once each day and at the end of the day, remove all trash and debris from the machine especially around hot components such as the engine, transmission, exhaust, battery, etc. More frequent cleaning of your machine may be necessary depending on the operating environment and conditions.

At least once each day, remove debris accumulation around moving components such as bearings, pulleys,

belts, gears, cleaning fans, etc. More frequent cleaning of your machine may be necessary depending on the operating environment and conditions.

Inspect the electrical system for loose connections and frayed insulation. Repair or replace loose or damaged parts.

Do not store oily rags or other flammable material on the machine.

Do not weld or flame cut any items that contain flammable material. Clean items thoroughly with non-flammable solvents before welding or flame-cutting.

Do not expose the machine to flames, burning brush, or explosives.

Promptly investigate any unusual smells or odors that may occur during operation of the machine.

### **⚠ Reflectors and warning lights ⚠**

You must use flashing amber warning lights when you operate equipment on public roads.

### **⚠ Operator protective structure ⚠**

Your machine is equipped with an operator protective structure, such as: a Roll Over Protective Structure (ROPS), Falling Objects Protective Structure (FOPS), or a cab with a ROPS. A ROPS may be a can frame or a two-posted or four-posted structure used for the protection of the operator to minimize the possibility of serious injury. The mounting structure and fasteners forming the mounting connection with the machine are part of the ROPS.

The protective structure is a special safety component of your machine.

DO NOT attach any device to the protective structure for pulling purposes. DO NOT drill holes to the protective structure.

The protective structure and interconnecting components are a certified system. Any damage, fire, corrosion, or modification will weaken the structure and reduce your protection. If this occurs, **THE PROTECTIVE STRUCTURE MUST BE REPLACED** so that it will provide the same protection as a new protective structure. Contact your dealer for protective structure inspection and replacement.

After an accident, fire, tip over, or roll over, the following **MUST** be performed by a qualified technician before returning the machine to field or job-site operations:

- The protective structure **MUST BE REPLACED**.
- The mounting or suspension for the protective structure, operator's seat and suspension, seat belts and mounting components, and wiring within the operator's

protective system MUST be carefully inspected for damage.

- All damaged parts MUST BE REPLACED.

DO NOT WELD, DRILL HOLES, ATTEMPT TO STRAIGHTEN, OR REPAIR THE PROTECTIVE STRUCTURE. MODIFICATION IN ANY WAY CAN REDUCE THE STRUCTURAL INTEGRITY OF THE STRUCTURE, WHICH COULD CAUSE DEATH OR SERIOUS INJURY IN THE EVENT OF FIRE, TIP OVER, ROLL OVER, COLLISION, OR ACCIDENT.

Seat belts are part of your protective system and must be worn at all times. The operator must be held to the seat inside the frame in order for the protective system to work.

### **Personal Protective Equipment (PPE)**

Wear Personal Protective Equipment (PPE) such as hard hat, eye protection, heavy gloves, hearing protection, protective clothing, etc.

### **Do Not Operate tag**

Before you start servicing the machine, attach a 'Do Not Operate' warning tag to the machine in an area that will be visible.

### **Hazardous chemicals**

If you are exposed to or come in contact with hazardous chemicals you can be seriously injured. The fluids, lubricants, paints, adhesives, coolant, etc. required for the function of your machine can be hazardous. They may be attractive and harmful to domestic animals as well as humans.

Material Safety Data Sheets (MSDS) provide information about the chemical substances within a product, safe handling and storage procedures, first aid measures, and procedures to take in the event of a spill or accidental release. MSDS are available from your dealer.

Before you service your machine check the MSDS for each lubricant, fluid, etc. used in this machine. This information indicates the associated risks and will help you service the machine safely. Follow the information in the MSDS, and on manufacturer containers, as well as the information in this manual, when you service the machine.

Dispose of all fluids, filters, and containers in an environmentally safe manner according to local laws and regulations. Check with local environmental and recycling centers or your dealer for correct disposal information.

Store fluids and filters in accordance with local laws and regulations. Use only appropriate containers for the storage of chemicals or petrochemical substances.

Keep out of reach of children or other unauthorized persons.

Applied chemicals require additional precautions. Obtain complete information from the manufacturer or distributor of the chemicals before you use them.

### **Utility safety**

When digging or using ground-engaging equipment, be aware of buried cables and other services. Contact your local utilities or authorities, as appropriate, to determine the locations of services.

Make sure that the machine has sufficient clearance to pass in all directions. Pay special attention to overhead power lines and hanging obstacles. High voltage lines may require significant clearance for safety. Contact local authorities or utilities to obtain safe clearance distances from high voltage power lines.

Retract raised or extended components, if necessary. Remove or lower radio antennas or other accessories. Should a contact between the machine and an electric power source occur, the following precautions must be taken:

- Stop the machine movement immediately.
- Apply the parking brake, stop the engine, and remove the key.
- Check if you can safely leave the cab or your actual position without contact with electrical wires. If not, stay in your position and call for help. If you can leave your position without touching lines, jump clear of the machine to make sure that you do not make contact with the ground and the machine at the same time.
- Do not permit anyone to touch the machine until power has been shut off to the power lines.

### **Electrical storm safety**

Do not operate machine during an electrical storm.

If you are on the ground during an electrical storm, stay away from machinery and equipment. Seek shelter in a permanent, protected structure.

If an electrical storm should strike during operation, remain in the cab. Do not leave the cab or operator's platform. Do not make contact with the ground or objects outside the machine.

### **Mounting and dismounting**

Mount and dismount the machine only at designated locations that have handholds, steps, and/or ladders.

Do not jump off of the machine.

Make sure that steps, ladders, and platforms remain clean and clear of debris and foreign substances. Injury may result from slippery surfaces.

Thank you so much for reading.  
Please click the “Buy Now!”  
button below to download the  
complete manual.



After you pay.

You can download the most  
perfect and complete manual in  
the world immediately.

Our support email:

[ebooklibonline@outlook.com](mailto:ebooklibonline@outlook.com)