

OPERATOR'S MANUAL

T7.240

T7.245

T7.260

Tractor

Part number 51515291

1st edition English

December 2018

Replaces part number 48155278



Contents

1 GENERAL INFORMATION

Note to the owner.....	1-1
Product identification	1-3
Engine identification	1-4
Component identification - Transmission	1-4
Cab identification	1-5
Universal symbols	1-6

2 SAFETY INFORMATION

Safety precautions.....	2-1
Roll over protective structure (ROPS)	2-2
Safety Decals.....	2-3
Noise level	2-11
Before operating the machine	2-12
Driving the vehicle	2-12
Operating the machine	2-13
Power take off (PTO) operation	2-14
Servicing safety precautions	2-15
Operating the external controls.....	2-16
Fire or Explosion Prevention	2-17
Diesel fuel	2-18
Personal safety offered by the machine	2-19
Intended use statement	2-21
Ecology and the Environment	2-22

3 CONTROLS AND INSTRUMENTS

Access to operator's platform

Introduction	3-1
Rear-view outside mirrors	3-2
Cab	3-3
In cab storage (where applicable)	3-4
Cable and wiring routing	3-4
Mobile telephone usage	3-5
Implement monitor installation.....	3-5

Operator's seat

Operator's seat	3-6
Seat belt	3-8

Instructional seat

Instructor's seat (when fitted)	3-9
---------------------------------------	-----

Forward controls

Ignition switch	3-9
-----------------------	-----

Warning lights	3-10
Left-hand control lever.....	3-11
Follow me home lights	3-11
Right-hand control lever	3-12
Clutch pedal	3-12
Inching pedal and throttle.....	3-13
Foot pedals – Service brake	3-13
Steering column	3-14

Left-hand side controls

Parking brake.....	3-15
--------------------	------

Right-hand side controls

Switches	3-16
Hand throttle.....	3-17

Rearward controls

Switches on C-pillar	3-17
----------------------------	------

Overhead controls

Overhead controls.....	3-17
Interior lights.....	3-18
Heating, Ventilation, Air-Conditioning (HVAC) controls.....	3-19
Manual temperature control	3-21

INSTRUMENT CLUSTER

Instrument panel.....	3-22
Indicator and warning lights	3-22
Gauges	3-24
Indicator and warning lights	3-25
Gauges	3-27
Keypad enhanced	3-29
Selecting or changing the display settings	3-31
Ground speed setup	3-32
Performance monitor	3-35
Alarm functions	3-43
Accessing stored error codes	3-45
Warning and advisory symbols	3-46
Color monitor (where fitted)	3-53
Pop-up screens on color display	3-54
Performance monitor on color display	3-59
Display setup – Implement width	3-61

4 OPERATING INSTRUCTIONS

Commissioning the unit

Fueling the machine	4-1
---------------------------	-----

Starting the unit

Starting the engine	4-2
Cold starting aids	4-3
Booster battery procedure	4-4

Stopping the unit

Stopping the engine	4-5
Engine automatic shutdown	4-5
Engine automatic shutdown with enhanced keypad (where fitted)	4-6

Moving the unit

General information	4-7
Transmission operation	4-7
Transmission operation	4-8
Automatic mode	4-9
Default start off gear – (SOG)	4-14
Full powershift transmission – Speed correspondence	4-15

5 TRANSPORT OPERATIONS

Preparing for road transport

Carrying the tractor on a transporter	5-1
---	-----

Recovery transport

Machine towing	5-1
----------------------	-----

6 WORKING OPERATIONS

General information

Variable engine power management	6-1
Constant engine speed	6-2
Differential lock system	6-5
Four wheel drive	6-7
Explanation of symbols	6-8
Quick guide	6-9
Recording and replaying	6-11
Recording a sequence	6-13
Playing a sequence	6-15

TRANSMISSION

Transmission operation	6-17
Ground speed chart	6-18
Ground speed chart	6-19
Inching pedal and throttle	6-20
Fault codes	6-21

REAR POWER TAKE-OFF

Power Take-Off (PTO) operating precautions	6-22
Power Take-off (PTO) Connection.....	6-22
Power take-off (PTO) operation	6-23
Power take off (PTO) operation – Two speeds	6-26
Auto Power Take-Off (PTO) operation.....	6-27

HYDRAULIC REMOTE CONTROL VALVES

Rear remote control valve(s)	6-29
Rear remote valve configuration	6-30
Operating continuous flow hydraulic equipment.....	6-32
Operating single-acting hydraulic cylinders	6-34
Operating double-acting hydraulic cylinders	6-35
Operating two or more remote control valves	6-36
Operating remote control valves and three-point hitch	6-36
Remote control valves - Configure Motor kit	6-37
Hydraulic oil free-flow return.....	6-38
Hydraulic oil level when using remote hydraulic equipment.....	6-38

HYDRAULIC POWER BEYOND PORT

Power beyond hydraulic valve (when fitted)	6-41
--	------

THREE POINT HITCH

Attach the implement on the hydraulic lift	6-42
Adjustments – Lift arm	6-44
Adjustments - Third point arm	6-45
Quick hitch.....	6-46

DRAWBARS AND TOWING ATTACHMENTS

Maximum permitted loads on drawbar	6-48
Tractor drawbar.....	6-50

TRAILER BRAKING SYSTEMS

Pneumatic trailer brake.....	6-52
Auxiliary air supply connector (where fitted).....	6-55

WHEEL TRACK ADJUSTMENT

Front wheel track adjustment.....	6-55
Front wheel alignment.....	6-58
Steering stops	6-59
Front axle oscillation stops	6-61
Adjustment of the dynamic front mudguards.....	6-62
Front axle with extension (Cane cultivator) - If equipped	6-64
Rear axle flange type (where fitted)	6-66
Rear axle bar type (where fitted)	6-69
Dual rear wheels (where fitted).....	6-75

BALLASTING AND TIRES

Tire care – Wheels	6-76
Tires – Calibration and assembly safety	6-79
Tires – Parts of the tire	6-80
Tire types – For the application	6-80
Tires – General features	6-80
Tires – Compatibility of front x rear tires	6-83
Tractor ballasting	6-84
Ballasting solid	6-88
Liquid ballast	6-91
Tires - Compatibility table	6-94
Liquid ballast – Capacity table	6-96
Tires – Recommendations for calibration	6-99
Tires - Calibration	6-100
Tire pressures and permissible loads	6-100
Tires - Composition of the load applied	6-102

AUXILIARY POWER CONNECTIONS

Diagnostic socket.....	6-103
Internal power connectors	6-104
External power connectors	6-105

REAR HITCH

Electronic Draft Control (EDC)	6-106
Colour display screens – Adjusting the hydraulic lift	6-109
Operation – Electronic draft controller	6-111
Colour display screens – Adjusting the slip limit	6-115
Operating the external controls.....	6-115

7 MAINTENANCE

General information

Introduction	7-1
Fuel handling precautions	7-3
Diesel fuel	7-4
Specifications - Biodiesel fuel	7-5
Organic Acid Technology (OAT) coolant.....	7-7
Protective devices	7-8

Maintenance planning

Maintenance chart.....	7-10
------------------------	------

WHEN THE WARNING LAMP LIGHTS

Engine air filter, primary	7-12
Brake fluid level.....	7-14
Drain the fuel system water separator.....	7-15

First 10 hours

Front wheels - Check	7-16
----------------------------	------

EVERY 10 HOURS OR EACH DAY

Engine coolant	7-16
Engine oil level	7-18
Pneumatic brake reservoir (when fitted)	7-18
Fuel pre-filter – Check	7-19

FIRST 50 HOURS

First 50 Hour Service	7-20
-----------------------------	------

First 300 hours

Accumulator - Check	7-21
---------------------------	------

First 600 hours

Accumulator - Check	7-21
---------------------------	------

EVERY 50 HOURS

Cleaning the radiators	7-22
Cab air filters	7-24
Cab recirculation air filter	7-25
Lubrication points.....	7-25
Check the tire pressures and the tire condition.....	7-28
Windshield wiper fluid reservoir	7-28

EVERY 300 HOURS

Engine belt	7-29
Pneumatic brake compressor belt (when fitted)	7-29
Change the first stage fuel filter and the fuel filter element.....	7-29
Parking brake.....	7-31
Rear axle oil level.....	7-31
Axle oil level screen	7-32
Front axle extensions oil level – Cane harvester (When available)	7-32
Cab air filter – Activated charcoal filter – (when installed)	7-32
Front axle hub oil (4WD) - oil level	7-33

EVERY 600 HOURS

Engine Oil & Filter	7-34
Check the air intake connections.....	7-36
Fuel injection system	7-37
Change the charge pump oil filter	7-37
Front axle hub - Change fluid.....	7-38
Grease the rear axle shaft bearing	7-38
Wheel nuts tightening torque	7-39

EVERY 1200 HOURS OR ANNUALLY

Engine air filter - Outer element	7-40
Engine air filter - Inner element.....	7-40
Cab air filters	7-41
Cab recirculation filter	7-42
Pneumatic trailer brake – Replacement of the filter	7-42
Change hydraulic system oil	7-43
Change front axle oil	7-44
Front axle extensions oil change – Cane harvester (When available)	7-45
Hydraulic oil filter	7-45
Autopilot valve filter.....	7-49
Change the engine breather filter	7-50
Engine valve clearance.....	7-50

EVERY 4000 HOURS OR 4 YEARS

Engine coolant replacement.....	7-51
---------------------------------	------

GENERAL MAINTENANCE

Remote couplers oil recovery bottle	7-54
Bleeding the fuel injection system.....	7-55
Service brakes.....	7-56
Air conditioning - Charging	7-56
Air conditioning filter drier	7-56
Cleaning the tractor.....	7-57
Adjust the cab suspension (where fitted).....	7-58
Headlight and worklamp adjustment	7-59
Replacing bulbs	7-60
Replacing the battery.....	7-63
Fuses and Relays	7-64

Storage

Storing the machine	7-69
Preparation for use after storage	7-70

8 TROUBLESHOOTING

Fault code resolution

Introduction	8-1
--------------------	-----

Alarm(s)

Fault codes and symbols	8-2
-------------------------------	-----

Symptom(s)

Engine	8-3
Transmission	8-5
Three-point hitch	8-6
Brakes	8-6

Hydraulic System	8-7
Cab	8-7
Electrical system	8-8

9 SPECIFICATIONS

Overall Dimensions	9-1
Machine weights	9-3
Fluids and lubricants	9-5
Engine specifications	9-6
Hydraulic system specifications	9-7
Hydraulic remote control valves	9-7
Brake specifications	9-7
Power Take-Off (PTO)	9-7
Steering general specifications	9-8
Full powershift transmission	9-8
Electrical system specifications	9-8

10 ACCESSORIES

Pneumatic trailer brake	10-1
Rotary beacon (option)	10-3
External power connectors	10-3
Auxiliary electrical outlet	10-4

1 - GENERAL INFORMATION

Note to the owner

GENERAL INFORMATION

This Manual has been prepared to assist you in the correct procedure for running-in, driving and operating and for the maintenance of your new machine. Read this manual carefully. Your machine is designed to be used in normal and customary agricultural applications.

If you require technical support for your machine at any time, do not hesitate in contacting your NEW HOLLAND dealer. They have company trained personnel, genuine parts and the necessary equipment to carry out all your service requirements.

The specification are provided for your information and guidance. For further information concerning your tractor and equipment, consult your NEW HOLLAND dealer.

All data given in this book is subject to production variations. Dimensions and weights are approximate. The illustrations do not necessarily show tractors in standard condition or imply that these features are available in all countries. For exact information about any particular tractor, please consult your NEW HOLLAND dealer.

Your tractor has been designed and built to give maximum performance, economy and ease of operation under a wide variety of operating conditions. Prior to delivery, the tractor was carefully inspected, both at the factory and by your NEW HOLLAND dealer to ensure that it reaches you in optimum condition. To maintain this condition and ensure trouble-free operation, it is important that the routine services, as specified on page 7-10 of this Manual, are carried out at the recommended intervals.

OPERATORS MANUAL STORAGE

The Operator's Manual supplied with your tractor is an important source of information and should be stored safely.

The manual is written specifically for your tractor so it is important that you make a note of the print number and issue date which can be found on the cover. In the event the manual is lost or damaged it can be replaced with the correct version.

A storage pocket for the Operator's Manual can be found on the rear of the seat. The manual should be kept in this pocket at all times when not in use.

ABOUT THIS MANUAL

This manual gives information for use of your machine, as intended and under the conditions foreseen by the manufacturer during normal operation and routine service and maintenance.

Read and understand; keep it in good condition and always safely store it in the provided pocket in the back of your seat for later easy use.

This manual does not contain all the information related to periodical service, converting and repairs to be carried out by NEW HOLLAND professional service personnel.

The Table of Contents page(s) are provided to have an overview of main manual's topics. A detailed alphabetic index is available at the end of this manual for locating specific items.

Normal operation

- Normal operation means the use of the tractor for the purpose intended by the manufacturer by an operator familiar with the tractor and the mounted or towed equipment and complying with the information for operation and safe practices, as specified by the manufacturer in this manual and by the decals on the tractor and the equipment.
- Normal operation includes the preparation and storage of the tractor, swinging components into work position and vice versa, adding or removing ballast and picking up and setting off attachments.
- Normal operation includes the adjustment and setting of the tractor and equipment, for the specific condition of the field and/ or the crop.

Routine service

- Routine service and maintenance means activities that must be done daily by an operator familiar with the tractor characteristics and complying with the information for routine service and safe practices, as specified by the manufacturer in this manual and by decals on the tractor, in order to maintain its proper function. Routine service includes activities such as fuelling, cleaning, washing, topping up fluid levels, greasing, and replacing consumable articles such as lamp bulbs.

Converting, periodical service and repair

- Periodical service means activities that must be done at defined intervals by trained personnel familiar with the tractor characteristics and which are complying with the information for periodical service and safe practices, as partly specified by the manufacturer in this manual and in other Company literature, in order to maintain the expected life time of the tractor.
- Converting means activities that must be done by professional service personnel familiar with the tractor characteristics and complying with the information for converting, as partly specified by the manufacturer in

this manual, in assembly instructions or in other Company literature, in order to fit the tractor to a specific configuration.

- Repair means activities that must be done by professional service personnel only who are familiar with the tractor characteristics and complying with the information for repair, as specified by the manufacturer in the NEW HOLLAND dealer's Service Manual, in order to restore the proper function of the tractor after a failure or reduction in performance.

CLEANING THE TRACTOR

Your tractor is a state-of-the-art machine with sophisticated, electronic controls. This should be taken into consideration when cleaning the tractor, particularly if using a high pressure washer. Even though every precaution has been taken to preserve electronic components and connections, the pressure generated by some of these machines is such that complete protection against water ingress cannot be guaranteed.

When using a high pressure washer, do not stand too close to the tractor and avoid directing the jet at electronic components, electrical connections, breathers, seals, filler caps, etc. Never direct a cold water jet at a hot engine or exhaust.

Failure to comply with these rules will render the warranty null and void.

Security

The pages in Section 2 list the precautions to be observed to ensure your safety and the safety of others. Read the safety precautions and follow the advice offered before operating the tractor.

SERVICE PARTS

It should be pointed out that genuine parts have been examined and approved by the Company. The installation

and/or usage of 'non-genuine' products could have negative effects upon the design characteristics of your tractor and thereby affect its safety. The Company is not liable for any damage caused by the use of 'non-genuine' parts and accessories. Only genuine replacement parts should be used. The use of non-genuine parts may invalidate legal approvals associated with this product.

It is prohibited to carry out any modifications to the tractor unless specifically authorised, in writing, by the After Sales Service department of the Company.

WARRANTY

Your tractor is warranted according to legal rights in your country and the contractual agreement with the selling dealer. No warranty shall, however, apply if the tractor has not been used, adjusted and maintained according to the instructions given in the Operator's Manual.

Check the mandatory services for your machine in the Warranty Booklet. The Warranty Booklet is issued with the machine.

USE OF BIODIESEL FUELS

NOTICE: Before using Biodiesel fuels in your tractor, refer to the information on page 7-4 regarding the storage and use of Bio diesel fuels.

Tampering with the engine or fuel system

ATTENTION: Your machine's engine and the fuel system were designed and configured to meet the emissions standards required by the laws in your country or region. Dealers, customers, operators, and users are strictly prohibited from tampering with the machine's factory settings. Failure to comply with this rule invalidates the machine's warranty and could result in government fines, legal action, and possible confiscation of the machine until rework to original condition is completed. Engine maintenance and repairs must be done by an authorized technician only.

Product identification

The tractor and major components are identified using serial numbers and / or manufacturing codes.

The identification data must be supplied to your NEW HOLLAND dealer when requesting parts or services, also providing tractor identification in the event of theft.

The following provides the locations of the identification data.

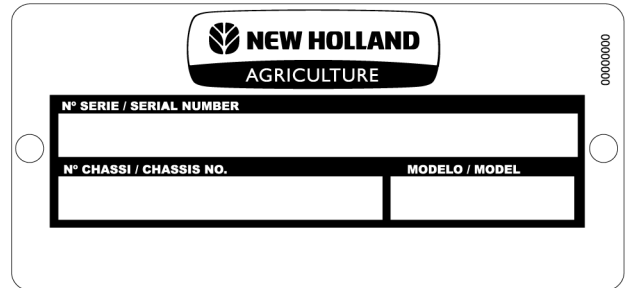
Machine identification plate

The vehicle identification plate is located on the left-hand side of the front axle support, close to the support for the front weights. Take note of the information and record it in the fields below:

Series No.: _____

Chassis No.: _____

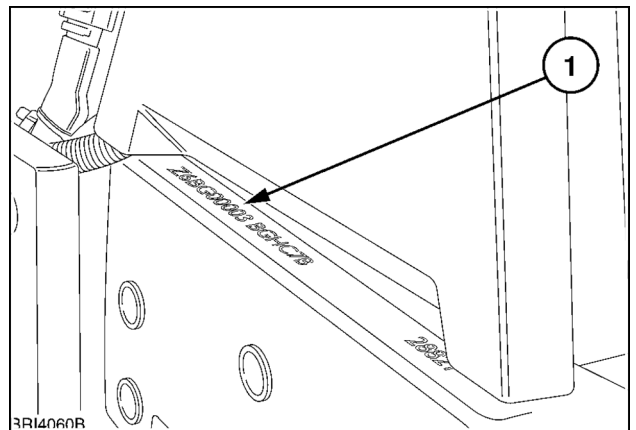
model: _____



CUIL14TR00004AA 1

Chassis identification

The serial number and model identification information is stamped on the front support (1). These numbers are also repeated on the vehicle identification plate reproduced above.

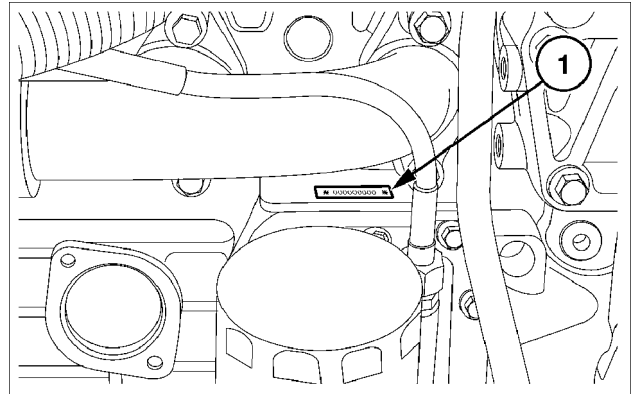


1-3 2

Engine identification

The engine serial number and date of manufacture are stamped on the right-hand side of engine block (1) below the manifold. Record the number below.

Engine Serial No. _____

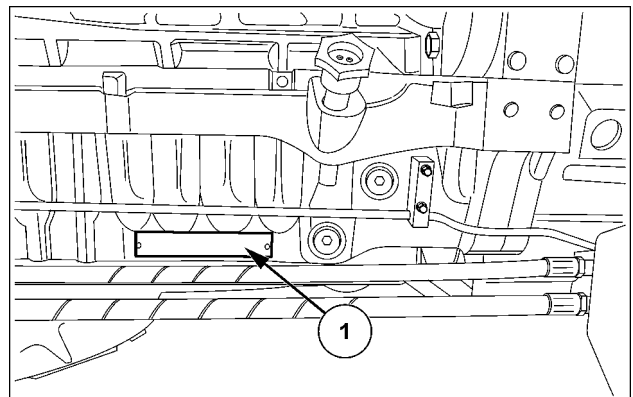


BRJ4859B 1

NOTE: The engine serial number is repeated on the information plate located on the left side of the engine oil pan.

Further information relating to engine adjustments and emission level compliance are also shown on the engine information plate.

NOTE: The details displayed on the engine information plate may change depending on the country in which the tractor is sold.



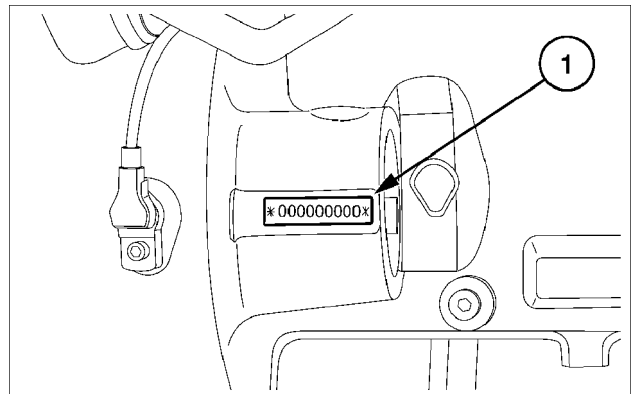
SS10K020 2

Component identification - Transmission

The serial number plate (1) is located on the right-hand side of the transmission casing behind the battery carrier.

This number is repeated on the vehicle identification plate. Record the information below for quick reference.

Driveline Serial Number. _____



BRJ4857B 1

Thank you so much for reading.
Please click the “Buy Now!”
button below to download the
complete manual.



After you pay.

You can download the most
perfect and complete manual in
the world immediately.

Our support email:

ebooklibonline@outlook.com