

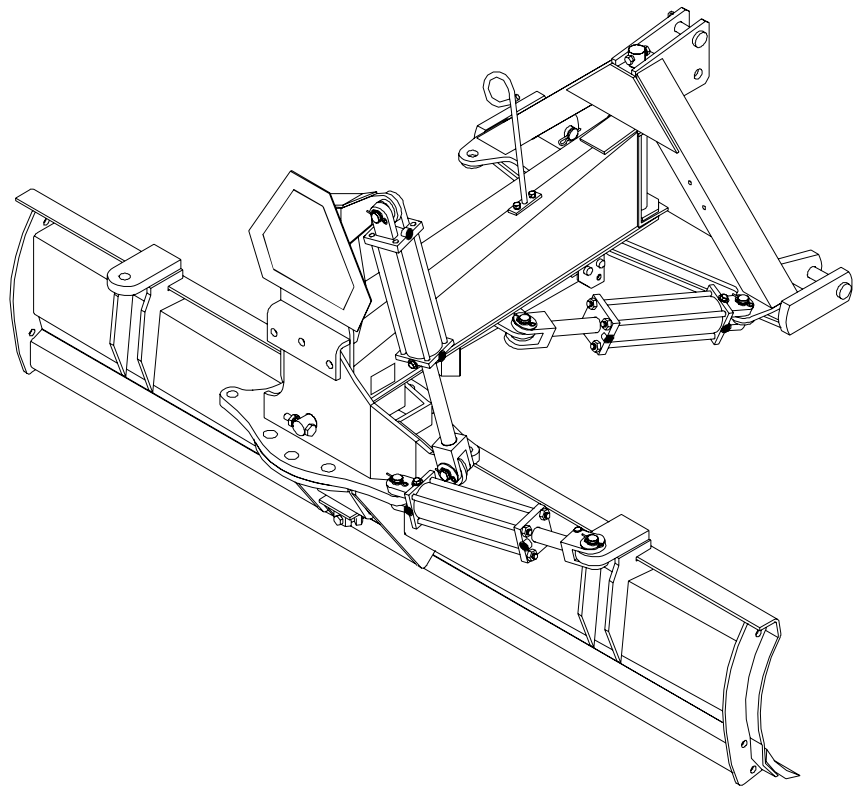
REAR BLADES

RB2307

RB2308

RB2309

RB2310



THIS MANUAL IS ALSO APPLICABLE
TO FRONTIER REAR BLADES WITH
MODEL NUMBERS ENDING IN 'C'

FRONTIER
EQUIPMENT™

5TMC8090017K (Rev. 06/19/08)

TO THE DEALER:

Assembly and proper installation of this product is the responsibility of the Frontier dealer. Read manual instructions and safety rules. Make sure all items on the Dealer's Pre-delivery and Delivery Check Lists in the Operator's Manual are completed before releasing equipment to the owner.

TO THE OWNER:

Read this manual before operating your Frontier equipment. The information presented will prepare you to do a better and safer job. Keep this manual handy for ready reference. Require all operators to read this manual carefully and become acquainted with all the adjustment and operating procedures before attempting to operate. Replacement manuals can be obtained from your selling dealer.

The equipment you have purchased has been carefully engineered and manufactured to provide dependable and satisfactory use. Like all mechanical products, it will require cleaning and upkeep. Lubricate the unit as specified. Observe all safety information in this manual and safety decals on the equipment.

For service, your authorized Frontier dealer has trained mechanics, genuine Frontier service parts, and the necessary tools and equipment to handle all your needs.

Use only genuine Frontier service parts. Substitute parts will void the warranty and may not meet standards required for safe and satisfactory operation. Record the model number and serial number of your equipment in the spaces provided:

Model: _____ **Date of Purchase:** _____

Serial Number: (see Safety & Instructional Decals section for location) _____

Provide this information to your dealer to obtain correct repair parts.

Throughout this manual, the term **IMPORTANT** is used to indicate that failure to observe can cause damage to equipment. The terms **CAUTION**, **WARNING**, and **DANGER** are used in conjunction with the Safety-alert Symbol, (a triangle with an exclamation mark), to indicate the degree of hazard for items of personal safety.



This Safety-alert Symbol indicates a hazard and means **ATTENTION! BECOME ALERT! YOUR SAFETY IS INVOLVED!**



Indicates an imminently hazardous situation that, if not avoided, will result in death or serious injury.



Indicates a potentially hazardous situation that, if not avoided, could result in death or serious injury, and includes hazards that are exposed when guards are removed.



Indicates a potentially hazardous situation that, if not avoided, may result in minor or moderate injury.

IMPORTANT

Indicates that failure to observe can cause damage to equipment.

NOTE

Indicates helpful information.

TABLE OF CONTENTS

INTRODUCTION.....	ii
GENERAL INFORMATION.....	1
SPECIFICATIONS.....	2
SAFETY RULES.....	3
SAFETY & INSTRUCTIONAL DECALS.....	5
OPERATION.....	7
OWNER SERVICE.....	13
ASSEMBLY.....	15
PARTS INDEX.....	33
BOLT TORQUE CHART.....	45
BOLT SIZE CHART & ABBREVIATIONS.....	46

GENERAL INFORMATION

The purpose of this manual is to assist you in operating and maintaining your rear blade. Read it carefully. It furnishes information and instructions that will help you achieve years of dependable performance. These instructions have been compiled from extensive field experience and engineering data. Some information may be general in nature, due to unknown and varying operating conditions. However, through experience and these instructions, you should be able to develop procedures suitable to your particular situation.

The illustrations and data used in this manual were current at the time of printing. However, due to possible inline production changes, your machine may vary slightly in detail. We reserve the right to redesign and change the machines as may be necessary without notification.

Throughout this manual, references are made to right and left direction. These are determined by standing behind the tractor facing the direction of forward travel.

RB2307 / RB2308 / RB2309 / RB2310 SPECIFICATIONS

Models	RB2307	RB2307	RB2308	RB2308	RB2309	RB2309	RB2310	RB2310
Features & Specifications								
Angle, tilt, & offset	Manually adjusted angle, tilt and offset	Hydraulic tilt, angle & offset	Manually adjusted angle, tilt and offset	Hydraulic tilt, angle & offset	Manually adjusted angle, tilt and offset	Hydraulic tilt, angle & offset	Manually adjusted angle, tilt and offset	Hydraulic tilt, angle & offset
Hitch compatibility	Cat. 2 Quick Coupler	Cat. 2 Quick Coupler	Cat. 2 Quick Coupler	Cat. 2 Quick Coupler	Cat. 2 Quick Coupler	Cat. 2 Quick Coupler	Cat. 2 Quick Coupler	Cat. 2 Quick Coupler
Frame	Formed steel channel frame	Formed steel channel frame	Formed steel channel frame	Formed steel channel frame	Formed steel channel frame	Formed steel channel frame	Formed steel channel frame	Formed steel channel frame
Cutting edge	½" x 6" reversible	½" x 6" reversible	½" x 6" reversible	½" x 6" reversible	½" x 6" reversible	½" x 6" reversible	½" x 6" reversible	½" x 6" reversible
Angle/Pivot	360 Degrees	360 Degrees	360 Degrees	360 Degrees	360 Degrees	360 Degrees	360 Degrees	360 Degrees
Angle-Forward	3, up to 45 degrees each side	0-45 degrees each side	3, up to 45 degrees each side	0-45 degrees each side	3, up to 45 degrees each side	0-45 degrees each side	3, up to 45 degrees each side	0-45 degrees each side
Angle-Reverse	3, up to 45 degrees each side	0-45 degrees each side	3, up to 45 degrees each side	0-45 degrees each side	3, up to 45 degrees each side	0-45 degrees each side	3, up to 45 degrees each side	0-45 degrees each side
Moldboard thickness	5/16"	5/16"	5/16"	5/16"	5/16"	5/16"	5/16"	5/16"
Moldboard length	84"	84"	96"	96"	108"	108"	120"	120"
Moldboard height	19"	19"	19"	19"	19"	19"	19"	19"
Moldboard type	Progressive-formed	Progressive-formed	Progressive-formed	Progressive-formed	Progressive-formed	Progressive-formed	Progressive-formed	Progressive-formed
Moldboard upper edge	Full bend	Full bend	Full bend	Full bend	Full bend	Full bend	Full bend	Full bend
Offset (or swing)	9" or 18" left or right	0" to 19" left or right	9" or 18" left or right	0" to 19" left or right	9" or 18" left or right	0" to 19" left or right	9" or 18" left or right	0" to 19" left or right
Tractor max. HP	120HP (2WD) 110HP (4WD)	120HP (2WD) 110HP (4WD)	120HP (2WD) 110HP (4WD)	120HP (2WD) 110HP (4WD)	120HP (2WD) 110HP (4WD)	120HP (2WD) 110HP (4WD)	120HP (2WD) 110HP (4WD)	120HP (2WD) 110HP (4WD)
Tractor hydraulic system pressure	3000 psi Maximum (20.68 MPa)	3000 psi Maximum (20.68 Mpa)	3000 psi Maximum (20.68 Mpa)	3000 psi Maximum (20.68 Mpa)	3000 psi Maximum (20.68 Mpa)	3000 psi Maximum (20.68 Mpa)	3000 psi Maximum (20.68 Mpa)	3000 psi Maximum (20.68 MPa)
Tilt	3, up to 23 degrees up and down	0-15 degrees, up or down	3, up to 23 degrees up and down	0-15 degrees, up or down	3, up to 23 degrees up and down	0-15 degrees, up or down	3, up to 23 degrees up and down	0-15 degrees, up or down
Operating weight	1060 lbs.	1162 lbs.	1139 lbs.	1241 lbs.	1240 lbs.	1342 lbs.	1300 lbs.	1402 lbs.

***Tecnomec Agrícola, S.A. de C.V. reserves the right to make any changes deemed necessary to the specifications without prior notice.**



SAFETY RULES

ATTENTION! BECOME ALERT! YOUR SAFETY IS INVOLVED!



Safety is a primary concern in the design and manufacture of our products. Unfortunately, our efforts to provide safe equipment can be wiped out by an operator's single careless act.

In addition to the design and configuration of equipment, hazard control and accident prevention are dependent upon the awareness, concern, judgement, and proper training of personnel involved in the operation, transport, maintenance, and storage of equipment.

It has been said "The best safety device is an informed, careful operator." We ask you to be that kind of operator.

TRAINING

- **Safety instructions are important! Read all attachment and power unit manuals; follow all safety rules and safety decal information. (Replacement manuals are available from your dealer). Failure to follow instructions or safety rules can result in serious injury or death.**
- **If you do not understand any part of this manual and need assistance, see your dealer.**
- **Know your controls and how to stop engine and attachment quickly in an emergency.**
- **Operators must be instructed in and be capable of the safe operation of the equipment, its attachments, and all controls. Do not allow anyone to operate this equipment without proper instructions.**
- **Keep hands and body away from pressurized lines. Use paper or cardboard, not hands or other body parts to check for leaks. Wear safety goggles. Hydraulic fluid under pressure can easily penetrate skin and will cause serious injury or death.**
- **Make sure that all operating and service personnel know that if hydraulic fluid penetrates skin, it must be surgically removed as soon as possible by a doctor familiar with this form of injury or gangrene, serious injury, or death will result. CONTACT A PHYSICIAN IMMEDIATELY IF FLUID ENTERS SKIN OR EYES. DO NOT DELAY.**
- **Never allow children or untrained persons to operate equipment.**

PREPARATION

- **Check that all hardware is properly installed. Always tighten to torque chart specifications unless instructed otherwise in this manual.**
- **Do not connect a low-pressure hydraulic hose into a high-pressure system - it will burst the hose. Do not use a high-pressure hose in place of a low-pressure hose - it is possible to rupture the valve.**
- **Always wear relatively tight and belted clothing to avoid entanglement in moving parts. Wear sturdy, rough-soled work shoes and protective equipment for eyes, hair, hands, hearing, and head.**
- **Make sure attachment is properly secured, adjusted, and in good operating condition.**
- **Power unit must be equipped with ROPS or ROPS cab and seat belt. Keep seat belt securely fastened. Falling off power unit can result in death from being run over or crushed. Keep foldable ROPS systems in "locked up" position at all times.**
- **Make sure all safety decals are installed. Replace if damaged. (See Safety & Instructional Decals section for location).**
- **A minimum 20% of tractor and equipment weight must be on the tractor front wheels when attachments are in transport position. Without this weight, tractor could tip over, causing personal injury or death. The weight may be attained with a loader, front wheel weights, ballast in tires or front tractor weights. Weigh the tractor and equipment. Do not estimate.**
- **Make sure circuit selector lever does not hit tractor cab, etc. throughout operating range of 3-point hitch of tractor. Bend lever, if necessary, to clear cab, but it should still be convenient to operate from the tractor seat.**

OPERATION

- **Do not allow bystanders in the area when operating, attaching, removing, assembling, or servicing equipment.**
- **Do not operate equipment while under the influence of alcohol or drugs.**
- **Operate only in daylight or good artificial light.**
- **Keep hands, feet, hair, and clothing away from equipment while engine is running. Stay clear of all moving parts.**

(Safety Rules continued on next page)

Thank you so much for reading.
Please click the “Buy Now!”
button below to download the
complete manual.



After you pay.

You can download the most
perfect and complete manual in
the world immediately.

Our support email:

ebooklibonline@outlook.com