

OWNER'S / OPERATOR'S MANUAL

LANDSCAPE RAKE

LR2060L

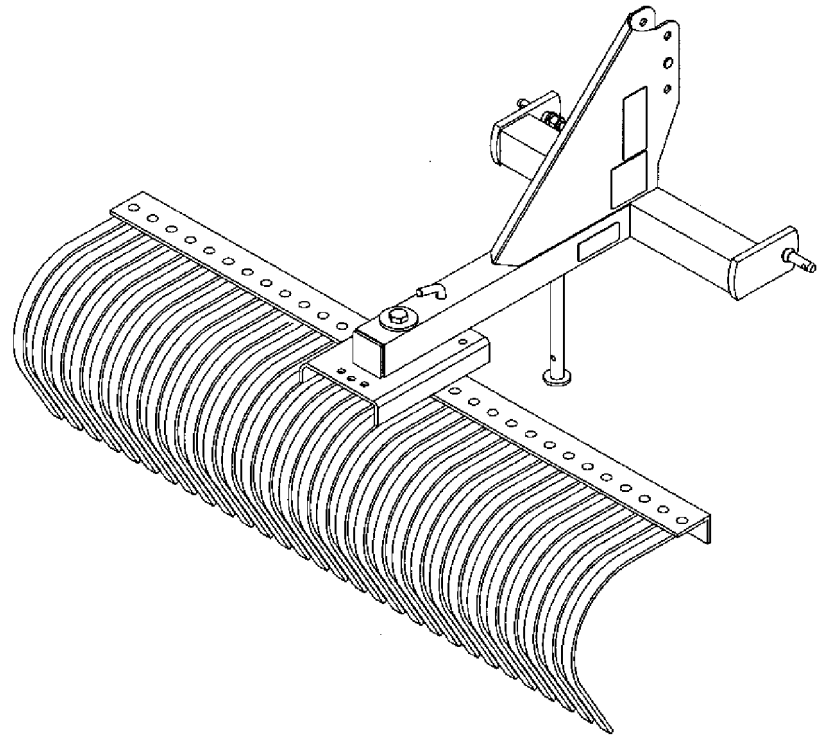
LR2072

LR2084

LR2172

LR2184

LR2196



FRONTIER
EQUIPMENT™

TO THE DEALER:

Assembly and proper installation of this product is the responsibility of the Frontier dealer. Read manual instructions and safety rules. Make sure all items on the Dealer's Pre-Delivery and Delivery Check Lists in the Owner's/Operator's Manual are completed before releasing equipment to the owner.

The dealer must complete the Warranty Registration located on the Frontier website.

TO THE OWNER:

Read this manual before operating your Frontier equipment. The information presented will prepare you to do a better and safer job. Keep this manual handy for ready reference. Require all operators to read this manual carefully and become acquainted with all the adjustment and operating procedures before attempting to operate. Replacement manuals can be obtained from your selling dealer.

The equipment you have purchased has been carefully engineered and manufactured to provide dependable and satisfactory use. Like all mechanical products, it will require cleaning and upkeep. Lubricate the unit as specified. Observe all safety information in this manual and safety decals on the equipment.

For service, your authorized Frontier dealer has trained mechanics, genuine Frontier service parts, and the necessary tools and equipment to handle all your needs.

Use only genuine Frontier service parts. Substitute parts will void the warranty and may not meet standards required for safe and satisfactory operation. Record the model number and serial number of your equipment in the spaces provided:

Model: _____ **Date of Purchase:** _____

Serial Number: (see Safety Decal section for location) _____

Provide this information to your dealer to obtain correct repair parts.

Throughout this manual, the term **IMPORTANT** is used to indicate that failure to observe can cause damage to equipment. The terms **CAUTION**, **WARNING** and **DANGER** are used in conjunction with the Safety-Alert Symbol, (a triangle with an exclamation mark), to indicate the degree of hazard for items of personal safety.



This Safety-Alert Symbol indicates a hazard and means **ATTENTION! BECOME ALERT! YOUR SAFETY IS INVOLVED!**



Indicates an imminently hazardous situation that, if not avoided, will result in death or serious injury.



Indicates a potentially hazardous situation that, if not avoided, could result in death or serious injury, and includes hazards that are exposed when guards are removed.



Indicates a potentially hazardous situation that, if not avoided, may result in minor or moderate injury.

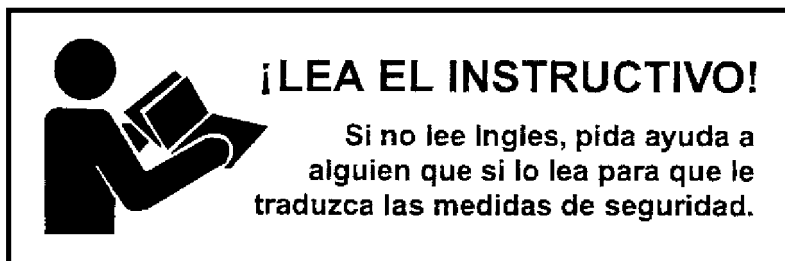


Indicates that failure to observe can cause damage to equipment.

Indicates helpful information.

TABLE OF CONTENTS

INTRODUCTION.....	ii - 1
SPECIFICATIONS	2
GENERAL INFORMATION	2
SAFETY RULES.....	3 - 4
SAFETY DECALS	5
DEALER ASSEMBLY	6 - 7
DEALER CHECK LISTS	8
OPERATION.....	9 - 11
OWNER SERVICE.....	12
STORAGE	12
TROUBLE-SHOOTING GUIDE	13
PARTS LISTS	14 - 19
BOLT TORQUE CHART.....	20
BOLT SIZE CHART & ABBREVIATIONS.....	21
REPLACEMENT PARTS WARRANTY	22
PRODUCT WARRANTY	23



1 *Introduction*

SPECIFICATIONS

	LR2060L	LR2072	LR2084	LR2172	LR2184	LR2196
Working Width	60" (152 cm)	72" (183 cm)	84" (213 cm)	72" (183 cm)	84" (213 cm)	96" (244 cm)
Weight (Mass)	168 lbs (76.2 kg)	200 lbs (90.7 kg)	221 lbs (100.3 kg)	282 lbs (127.9 kg)	307 lbs (139.3 kg)	332 lbs (150.6 kg)
Tractor HP Requirement	This rake should be mounted on tractors with a max. engine rating of 25 hp (18.7 kw) and not exceed 2250 lb (1020 kg)					
Minimum		19 hp	19 hp	23 hp	23 hp	27 hp
Maximum		40 hp	40 hp	55 hp	55 hp	55 hp
Tractor Hitch Category	Limited Cat 1 Cat 0 Optional	Cat 1	Cat 1	Cat 1	Cat 1	Cat 1
Positions	Angle 360° Locks at 0°, 15°, 30° forward right or left; and locks at 0°, 15° rearward right or left					
	Pitch adjustment. Use top link of tractor 3 point hitch					
Number of Teeth	30	36	42	36	42	48
Teeth	$\frac{5}{16}$ " x 1" (8 mm x 25 mm) Heat treated alloy tines					

GENERAL INFORMATION

The purpose of this manual is to assist you in operating and maintaining your Landscape Rake. Read it carefully. It furnishes information and instructions that will help you achieve years of dependable performance.

These instructions have been compiled from field experience and engineering data. Some information may be general in nature, due to unknown and varying operating conditions. However, through experience and these instructions, you should be able to develop procedures suitable to your particular situation.

The illustrations and data used in this manual were current at the time of printing. However, due to possible inline production changes, your machine may vary slightly in detail. We reserve the right to redesign and change the machines as may be necessary without notification.

Throughout this manual, references are made to right and left direction. These are determined by standing behind the tractor facing the direction of forward travel.

Introduction 2



SAFETY RULES



ATTENTION! BECOME ALERT! YOUR SAFETY IS INVOLVED!

Safety is a primary concern in the design and manufacture of our products. Unfortunately, our efforts to provide safe equipment can be wiped out by an operator's single careless act.

In addition to the design and configuration of equipment, hazard control and accident prevention are dependent upon the awareness, concern, judgement, and proper training of personnel involved in the operation, transport, maintenance and storage of equipment.

It has been said "The best safety device is an informed, careful operator." We ask you to be that kind of operator.

TRAINING

■ Safety instructions are important! Read all attachment and power unit manuals; follow all safety rules and safety decal information. (Replacement manuals are available from selling dealer.) Failure to follow instructions or safety rules can result in serious injury or death.

■ If you do not understand any part of this manual and need assistance, see your dealer.

■ Operators must be instructed in and be capable of the safe operation of the equipment, its attachments, and all controls. Do not allow anyone to operate this equipment without proper instructions.

■ Never allow children or untrained persons to operate equipment.

■ Train all new personnel and review instructions frequently with existing workers. A person who has not read and understood all operating and safety instructions is not qualified to operate the machine. An untrained operator exposes himself and bystanders to possible serious injury or death.

PREPARATION

■ Always wear relatively tight and belted clothing to avoid getting caught in moving parts. Wear sturdy, rough-soled work shoes and protective equipment for eyes, hair, hands, hearing, and head; and respirator or filter mask where appropriate.

■ Make sure attachment is properly secured, adjusted, and in good operating condition.

■ Power unit must be equipped with ROPS or ROPS cab and seat belt. Keep seat belt securely fastened. Falling off power unit can result in death from being run over or crushed. Keep foldable ROPS system in "locked up" position at all times.

■ A minimum 20% of tractor and equipment weight must be on the tractor front wheels when attachments are in transport position. Without this weight, tractor could tip over, causing personal injury or death. The weight may be attained with a loader, front wheel weights, ballast in tires or front tractor weights. Weigh the tractor and equipment. Do not estimate.

TRANSPORTATION

■ Always comply with all state and local laws governing highway safety and lighting and marking requirements.

■ Never allow riders on power unit or attachment.

■ Do not operate or transport on steep slopes.

■ Use extreme care and reduce ground speed on slopes and rough terrain.

■ Do not operate or transport equipment while under the influence of alcohol or drugs. Consult your doctor about operating this machine while taking prescription medications.

OPERATION

■ Never go underneath equipment (lowered to the ground or raised) unless it is properly blocked and secured. Never place any part of the body underneath equipment or between moveable parts even when the engine has been turned off. Hydraulic system leak down, hydraulic system failures, mechanical failures, or movement of control levers can cause equipment to drop or rotate unexpectedly and cause severe injury or death.

■ Always sit in power unit seat when operating controls or starting engine. Securely fasten seat belt, place transmission in neutral, engage brake, and ensure all other controls are disengaged before starting power unit engine.

■ Know your controls and how to stop engine and attachment quickly in an emergency.

■ Consult local utilities before working. Know location of and avoid contacting all underground cables, pipelines, overhead wires and other hazards in working area.

Thank you so much for reading.
Please click the “Buy Now!”
button below to download the
complete manual.



After you pay.

You can download the most
perfect and complete manual in
the world immediately.

Our support email:

ebooklibonline@outlook.com