

# OPERATOR'S MANUAL

**NEW HOLLAND**

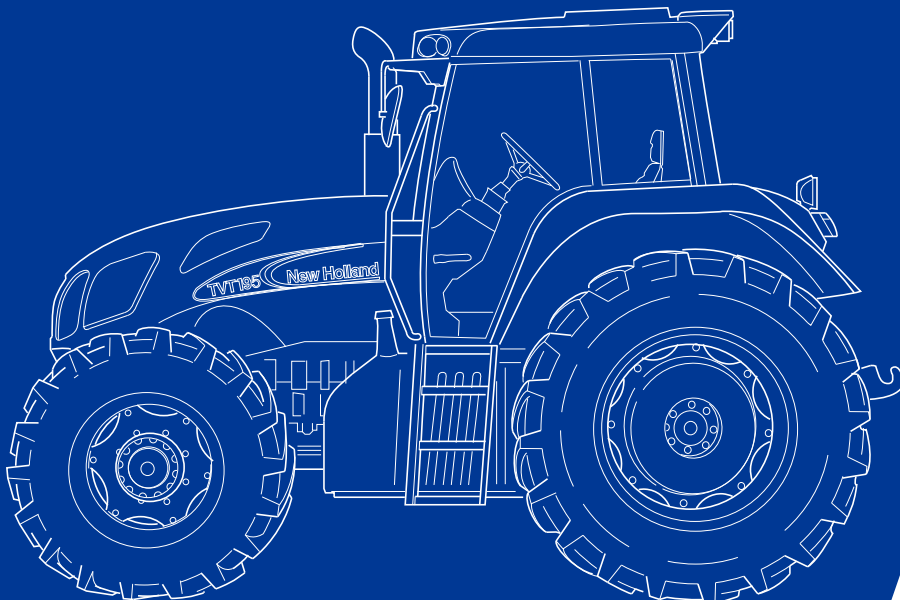
**TVT 135**

**TVT 145**

**TVT 155**

**TVT 170**

**TVT 195**



**NEW HOLLAND**



**NEW HOLLAND**

**TVT135**

**TVT145**

**TVT155**

**TVT170**

**TVT195**

**OPERATION  
MAINTENANCE  
TECHNICAL DATA**



**NEW HOLLAND**

# OVERVIEW OF SECTIONS

- 1 - General information and safety**
- 2 - Operating controls, instruments and operation**
- 3 - Field operation**
- 4 - Lubrication and maintenance**
- 5 - Electrical system**
- 6 - Longer periods of non-usage**
- 7 - Reversing facility/BiDrive**
- 8 - Tractor specification**
- 9 - Virtual Terminal Monitor**
- 10 - Index**



COLOURATION	
COLOUR	COLOUR CODE
BLACK	M-1724-P
DARK GREY	RAL - 7024
GREY	RAL - 7015
WHITE	TA/21
NEW HOLLAND BLUE	86593620

## Electromagnetic compatibility (EMC)

This tractor meets EC guidelines concerning electromagnetic noise radiation.

However, interference can also be caused by auxiliary devices, which may not correspond to standard regulations.

As electromagnetic interference can cause serious vehicle malfunctions or dangerous situations, the following points must be observed:

- Make sure that all equipment mounted on the tractor supplied by other companies carries the CE symbol.



- The maximum output of radiating devices (radio, telephone, etc.) must not exceed the limit values of the country in which the tractor is operated.
- The electromagnetic field generated by an auxiliary device must never exceed 24V/m at any time and anywhere near electronic components.

Non-observance of these regulations will lead to the immediate expiry of the New Holland warranty.

# TABLE OF CONTENTS

## SECTION 1

### GENERAL INFORMATION AND SAFETY

PRODUCT IDENTIFICATION AND SERIAL NUMBER .....	1-5
SAFETY .....	1-8
CORRECT USAGE .....	1-9
GENERAL RULES FOR SAFETY AND FOR THE PREVENTION OF ACCIDENTS .....	1-9
CARRIAGE OF PASSENGERS .....	1-9
DRIVING .....	1-10
LEAVING THE TRACTOR .....	1-10
ATTACHMENTS .....	1-10
PTO SHAFT OPERATION .....	1-10
MAINTENANCE AND OTHER WORK .....	1-11
DANGEROUS CHEMICALS .....	1-11
BASIC RULES .....	1-11
SAFETY LABELS .....	1-12

## SECTION 2

### OPERATING CONTROLS, INSTRUMENTS AND OPERATION

CLIMBING ONTO THE TRACTOR .....	2-2
DRIVER'S SEAT .....	2-3
PROGRAMMING THE DISPLAYS .....	2-23
OPERATING CONTROLS .....	2-25
BEFORE STARTING THE ENGINE .....	2-47
DRIVING SEAT SWITCH .....	2-47
BATTERY MASTER SWITCH (if fitted) .....	2-48
STARTING PROCEDURE .....	2-49
OPERATING THE TRACTOR AT LOW TEMPERATURES (WINTER OPERATION) .....	2-51
DRIVE STRATEGIES .....	2-52
STOPPING AND PARKING THE TRACTOR .....	2-54
STANDSTILL CONTROL .....	2-55
PARKING INTERLOCK .....	2-55
HINTS FOR DRIVING .....	2-56
OPERATING THE TRANSMISSION .....	2-58
CAB VENTILATION / HEATING .....	2-67
HEIGHT-ADJUSTABLE TOWBARS (if fitted) .....	2-70
ADJUSTABLE TOWBAR .....	2-73
AUTO PICKUP HITCH WITH HOOK hydraulically extendable (if fitted) .....	2-77
DIMENSIONS FOR TRAILER/ATTACHMENT TOW-BAR EYES .....	2-81
CONNECTIONS FOR TRAILER BRAKE LINES (If fitted) .....	2-82
ADDITIONAL ELECTRICAL SOCKET .....	2-84
HAZARD WARNING LAMPS .....	2-89
TOWING THE TRACTOR .....	2-91
TRANSPORTING THE TRACTOR .....	2-92

---

### **SECTION 3 FIELD OPERATION**

REAR PTO SHAFT .....	3-2
OPERATING THE FRONT PTO SHAFT (if fitted) .....	3-10
PREPARING THE REAR THREE-POINT LINKAGE .....	3-11
OPERATING THE ELECTRONIC 3-POINT HITCH CONTROL (ECD) .....	3-21
PREPARING THE FRONT HITCH (if fitted) .....	3-29
WORKING WITH THE FRONT HITCH .....	3-30
FIELD END MANAGEMENT (HTS) .....	3-32
AUXILIARY VALVES .....	3-36
OPERATING THE AUXILIARY VALVES .....	3-39
DIFFERENTIAL LOCK/Terralock .....	3-44
OPERATING THE 4-WHEEL DRIVE .....	3-46
OPERATING THE TERRAGLIDE FRONT AXLE (if fitted) .....	3-47
FASTENING BRACKET FOR EXTERNAL LEVERS .....	3-48
ADJUSTING THE FRONT AXLE AND THE FRONT AXLE TRACK .....	3-51
ADJUSTING THE FRONT AXLE TRACK .....	3-52
ADJUSTING THE REAR AXLE TRACK WIDTH .....	3-54
4 WHEEL DRIVE TYRE COMBINATIONS .....	3-58
FRONT WHEEL MUDGUARD - 4-WHEEL DRIVE TRACTOR (if fitted) .....	3-60
TRACTOR BALLAST .....	3-61

### **SECTION 4 LUBRICATION AND MAINTENANCE**

ENVIRONMENT .....	4-2
PLASTIC AND FIBRE-GLASS RE-INFORCED PARTS .....	4-2
TOOL BOX .....	4-2
OPERATING HOURS COUNTER .....	4-3
ENGINE BONNET .....	4-4
LUBRICATION AND FILLING LEVELS .....	4-5
DAILY INSPECTIONS .....	4-12
ENGINE MAINTENANCE .....	4-17
AUTOCOMMAND MAINTENANCE .....	4-28
HYDRAULICS MAINTENANCE .....	4-31
STEERING MAINTENANCE .....	4-32
FRONT AXLE MAINTENANCE .....	4-33
BRAKE MAINTENANCE .....	4-35
TOWBAR MAINTENANCE .....	4-36
ELECTRICAL MAINTENANCE .....	4-37
FRONT PTO-SHAFT MAINTENANCE .....	4-38
FRONT HYDRAULICS MAINTENANCE .....	4-39
GENERAL MAINTENANCE .....	4-39

### **SECTION 5 ELECTRICAL SYSTEM**

BATTERY .....	5-2
Bulbs and lamps .....	5-4
FUSES and RELAYS .....	5-12

**SECTION 6  
LONGER PERIODS OF NON-USAGE**

**SECTION 7  
REVERSING FACILITY / BiDrive**

BiDrive/REVERSIBLE SEAT / REVERSING FACILITY ..... 7-2

**SECTION 8  
TRACTOR SPECIFICATION**

ENGINE ..... 8-2  
ELECTRICAL SYSTEM ..... 8-4  
GENERAL VEHICLE DATA ..... 8-5  
VEHICLEWEIGHTS ..... 8-10  
VEHICLE DIMINSIONS ..... 8-11

**SECTION 9  
VIRTUAL TERMINAL MONITOR**

GENERAL INFORMATION ..... 9-1

**SECTION 10  
INDEX**

# SECTION 1

## GENERAL INFORMATION AND SAFETY

### TO THE OWNER

#### GENERAL INFORMATION

This manual was drawn up to help you to run-in, drive, operate and service your new tractor correctly. Please read this manual carefully. This tractor is intended for normal and conventional agricultural use.

If you require any information about the tractor, please consult your dealer. He has specially trained personnel, original parts and the necessary tools for carrying out your service and repair jobs.

Your tractor was designed and built to ensure maximum performance, economy and easy operation under different operating conditions. The tractor was carefully checked at the factory and by your dealer before delivery, to ensure that the vehicle is handed over in an optimum operating state. To maintain this state and ensure perfect operation, it is important that the routine checks (see Section 4 of the manual) are carried out at the specified intervals.

#### CLEANING THE TRACTOR

Your tractor is a state-of-the-art machine with highly developed electronic operating controls. Please bear this in mind when you clean the tractor, especially if you use high-pressure cleaners! Even if all necessary measures have been taken to protect electronic components and connections, the pressure generated by some of these cleaners is so great that total water tightness cannot be guaranteed.

Do not stand too close to the tractor when using a high-pressure cleaner and do not point the jet at electronic components, electric connections, seals, filler plugs, etc. Never point a cold water jet at a hot engine or exhaust pipe.

#### SAFETY

Pages 1-7 to 1-11 contain all measures that have to be taken to ensure personal safety and the safety of others. Read and observe the safety precautions **before** operating the tractor.

#### REPLACEMENT PARTS

We would like to point out that original parts have been checked and approved by the company. Using non-original parts could have negative effects on the tractor's design characteristics and thus impair safety. The company will not accept liability for damage caused by using non-original parts and accessories. Only original spare parts from New Holland should be used. Using non-original parts could invalidate relevant statutory authorizations.

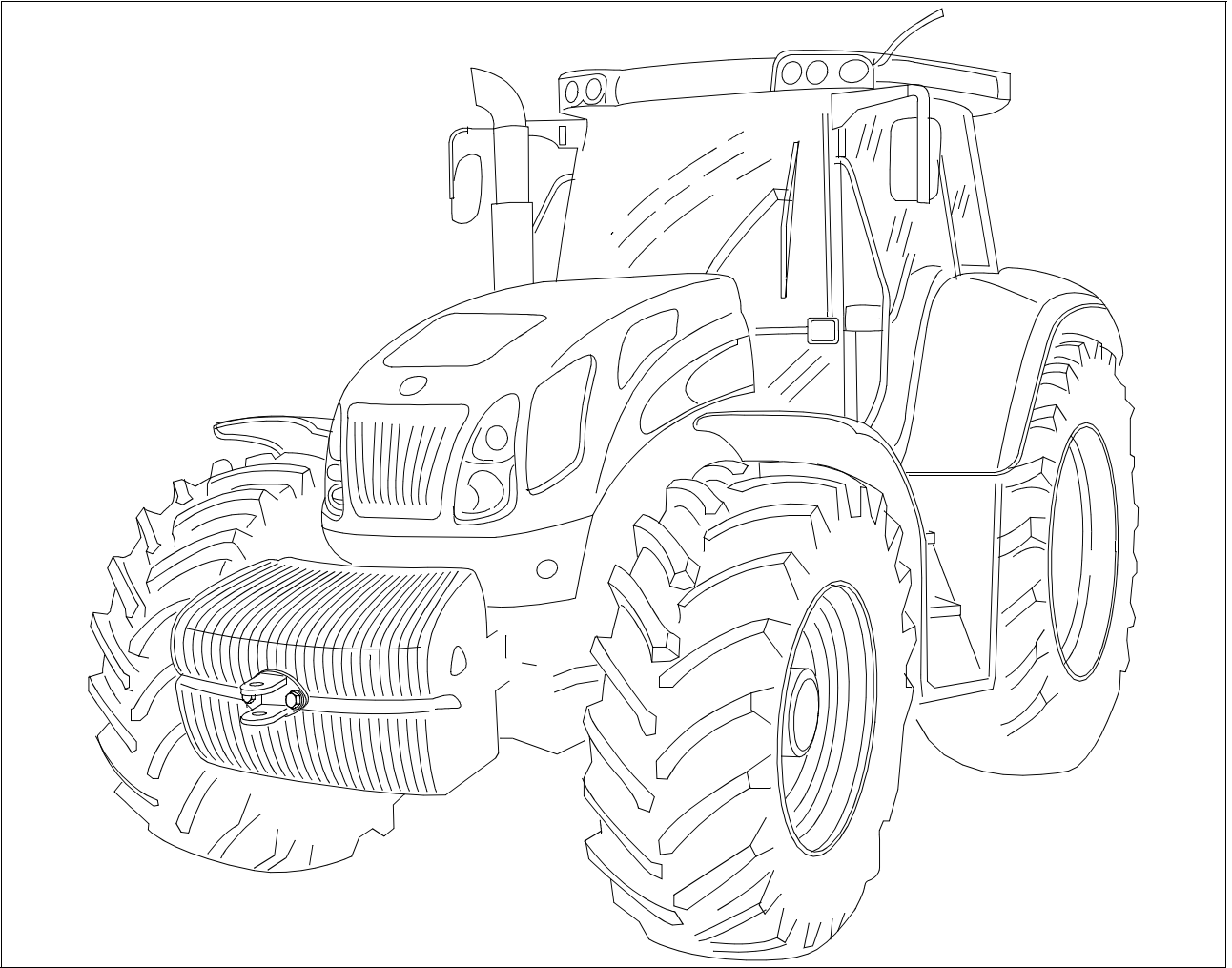
It is forbidden to make modifications to the tractor without the written permission of the company's Customer Service department.

#### WARRANTY

The warranty for your tractor is based on the warranty legislation in your country and the contractual relationship with the dealer. However, the warranty expires if the tractor is not used, set up and serviced according to the instructions in the operator's manual.



## NEW HOLLAND TVT 195 TRACTOR



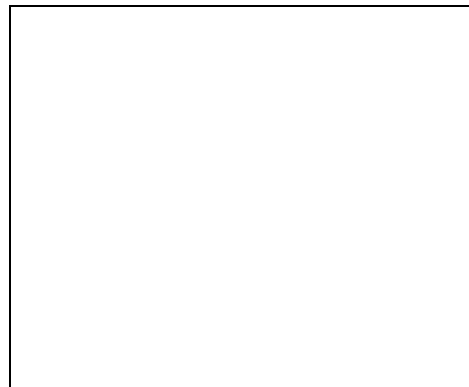
SC04A082

Dealers stamp



**Manufacturer:**

CNH Österreich GmbH  
Steyrerstrasse 32  
A-4300 St. Valentin  
AUSTRIA



## How to use this manual

Read this manual before operating your tractor.  
Call your retailer for further information.

This manual contains important information about working, setting up and maintaining your New Holland tractor safely. This manual is divided into individual chapters corresponding to the contents so that you can easily find information. Information concerning the tractor is divided into 4 chapters :

1. INSTRUMENTS AND CONTROLS - The layout of all controls is shown here.
2. WORK NOTES - General notes on daily work with the tractor e.g. starting up/turning off the tractor, operating the transmission etc.
3. OPERATIONAL USE - This chapter contains notes on various work uses, specifically for use with implements, e.g. three-point linkage , rear PTO etc.
4. TYRES/WHEELS/TRACK WIDTHS/  
BALLASTING - Settings for various tractor working scenarios are described here, e.g. tyre pressures, track widths etc.

Tractor maintenance is divided into two chapters :

5. LUBRICATION/MAINTENANCE - Regular maintenance intervals.
6. ELECTRICAL LAYOUT - General maintenance notes on electrics.

**IMPORTANT:** See the alphabetical index at the end of the manual in order to find a particular item in the manual concerning your machine.

Position descriptions such as in front, behind, right and left are understood to be as seen from the tractor's seat, facing in a forward direction.

Do NOT allow yourself or anyone else to drive the machine or carry out maintenance work without having read the manual. Only employ trained drivers who have shown their ability to correctly and safely work and maintain the machine.

With its standard equipment and licensed fittings, this tractor is intended for use in agriculture etc.

Do NOT use the machine for any other purpose other than those described in the manual. Get in touch with an authorised dealer concerning changes, additions or modifications which could be necessary for your machine to fulfil the relevant national guidelines and safety requirements. Release or approval from the manufacturer is required for custom-built bodies. Unapproved changes will render product liability null and void.

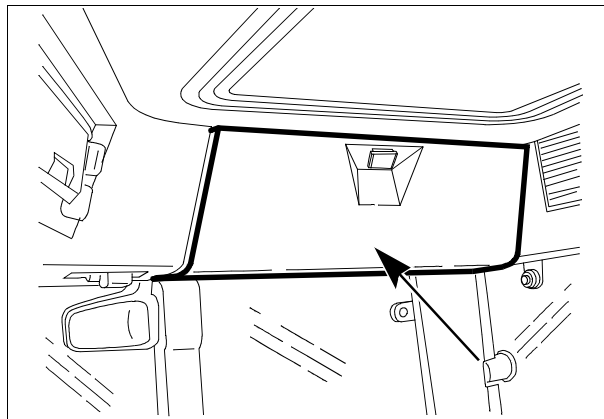
## Keeping your manual safe

Keep the operating manual in the compartment provided for that purpose on your tractor.

Ensure that this manual is complete and remains in good condition.

Ask your retailer for additional manuals or further information as well as support for your machine. Your retailer employs specially trained engineers who know the best method of repair and maintenance for your machine.

*This operating manual is part of your tractor. If the tractor is sold or hired out, the operating manual **MUST** be handed over with it.*



SC04A083

## PRODUCT IDENTIFICATION AND SERIAL NUMBER

Fill in the machine type designation, the product identification number (P.I.N.) and serial number on the corresponding line below. If required, pass on this numerical data to the New Holland dealer when ordering parts or making inquiries.

Write down the identification number. Records and the vehicle log book must be kept in a safe place. If the machine is stolen, these code numbers must be reported to the local police station.

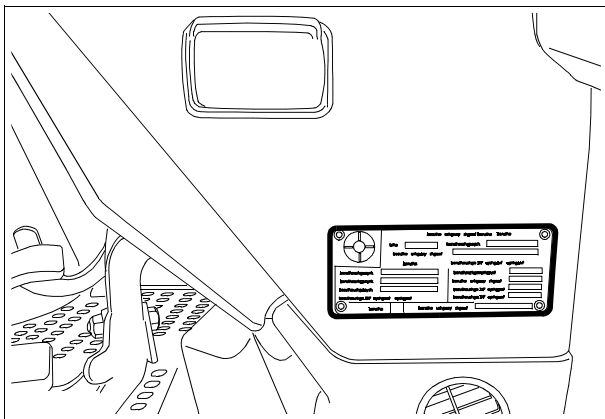
### Type plate details

		CNH Österreich GmbH, A-4300 ST. VALENTIN			
		TYP: <b>9095</b>	EWG-Nummer: <b>E1*2001/3*0144</b>		
		Identifizierungsnummer: <b>DBD0090001</b>			
<u>Zugmaschine:</u>		<u>Technisch zulässige Anhängelast:</u>			
zul. Gesamtgewicht*):	<b>11000 bis</b>	kg	ungebremste Anh. last:	<b>3000</b>	kg
zul. Achslast vorne*):	<b>5000 bis</b>	kg	Anh. last f. Unabh. Bremsg:	<b>6000</b>	kg
zul. Achslast hinten*):	<b>9000 bis</b>	kg	aufaufgebremste Anh. last:	<b>8000</b>	kg
*) abhängig von der montierten Bereifung		hydr./pneumat. gebr. Anh. last:		<b>32000</b>	kg
		<b>1,9</b>	Eigengewicht (kg)	<b>6650</b>	

SD05H001

### Arrangement of individual numbers

TRACTOR

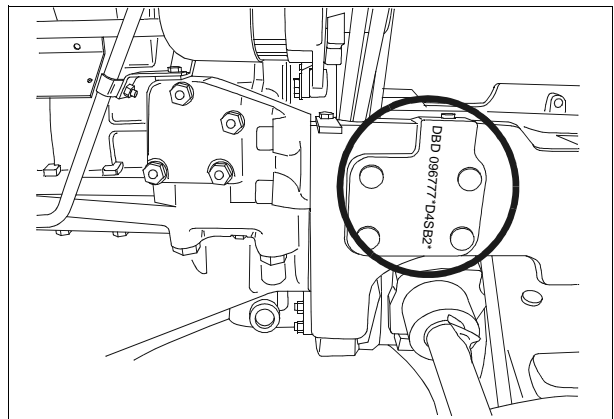


SC04A088

Type designation \_\_\_\_\_

Product identification number \_\_\_\_\_

TRACTOR

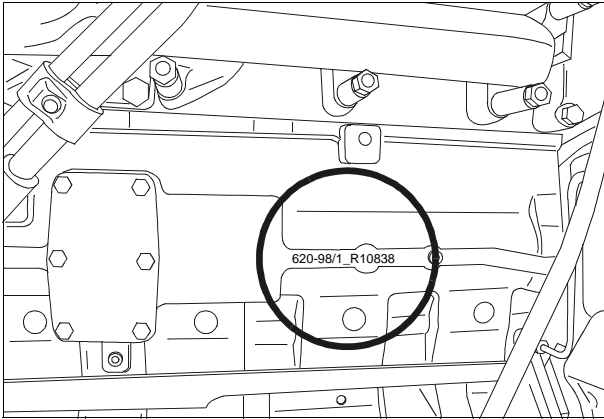


SC05M013

Type designation \_\_\_\_\_

Product identification number \_\_\_\_\_

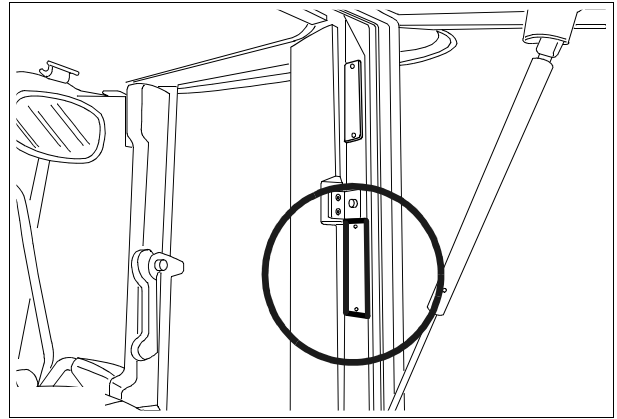
ENGINE



SC05M012

Serial No. \_\_\_\_\_

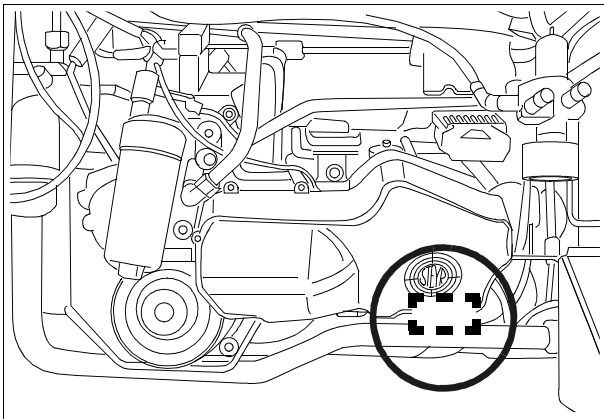
CAB



SC04A89

Serial No. \_\_\_\_\_

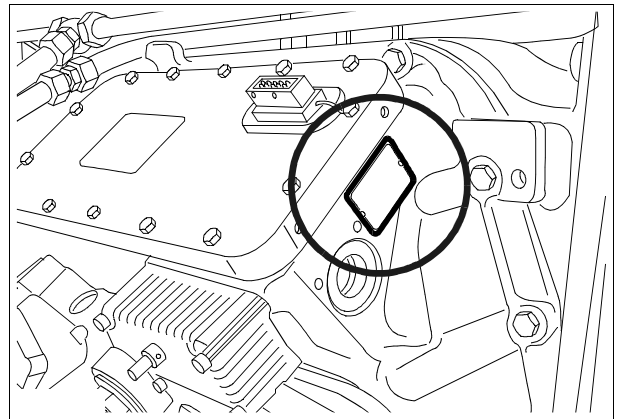
AUTOCOMMAND



SC04A140

Serial No. \_\_\_\_\_

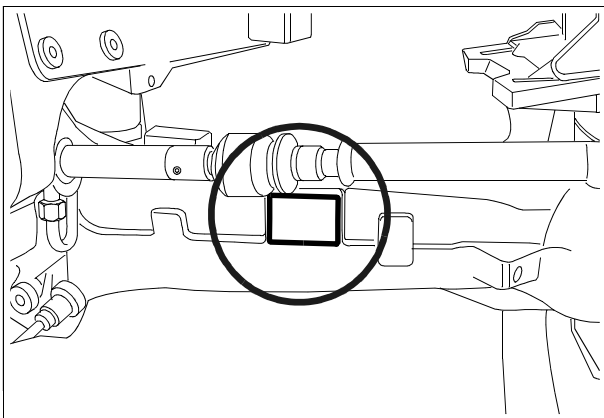
CARTRIDGE



SC04A094

Serial No. \_\_\_\_\_

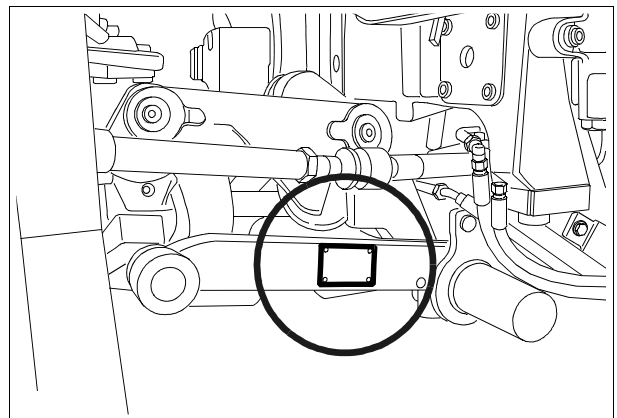
4-WHEEL DRIVE (if fitted)



SC04A091

Serial No. \_\_\_\_\_

TERRAGLIDE SUSPENSION (if fitted)



SC04A092

Serial No. \_\_\_\_\_

Thank you so much for reading.  
Please click the “Buy Now!”  
button below to download the  
complete manual.



After you pay.

You can download the most  
perfect and complete manual in  
the world immediately.

Our support email:

[ebooklibonline@outlook.com](mailto:ebooklibonline@outlook.com)