

Page Title	Page Number
TABLE (13', 14', 15', 16')	2
TABLE (18', 20', 20', 24')	5
TABLE PLATES, SHIELDS AND DIVIDERS (13', 14', 15', 16')	6
TABLE PLATES, SHIELDS AND DIVIDERS (18', 20', 20', 24')	9
AUGER (13', 14', 15', 16')	10
AUGER (18', 20', 20', 24')	14
KNIFE (13', 14', 15', 16', 18', 20', 24')	18
WOBBLE KNIFE DRIVE	21
WOBBLE KNIFE DRIVE	22
DRIVE, TABLE AND REEL (13', 14', 15', 16')	25
DRIVE, TABLE AND REEL (18', 20', 20', 24')	29
DRIVE, TABLE AND REEL (CHAIN DRIVE)	33
ELECTRIC VARIABLE SPEED PICK-UP REEL DRIVE	37
ELECTRIC VARIABLE SPEED REEL DRIVE (BELT)	38
ELECTRIC MOTOR AND WIRING (VARIABLE SPEED)	41
HYDROSTATIC REEL DRIVE HYDRAULICS	42
HYDRAULIC MOTOR	45
REEL AND SUPPORTS	46
REEL LIFT	49
MF 67 PICK-UP (FRAME, DRUM, GRAIN PAN) (10', 12')	50
MF 67 PICK-UP (WINDBAR, WHEELS) (10', 12')	53
MF 67 PICK-UP (DRUM) (DRIVE, DRIVE EXTENSION, GUARDS)	54
MF 67 PICK-UP (DRAPER) (FRAME, ROLLER, GRAIN PAN, BELTS)	57
MF 67 PICK-UP (DRAPER) (WINDBAR, WHEELS) (10', 12')	58
MF 67 PICK-UP (DRAPER) (DRIVE, DRIVE EXTENSION, GUARD)	61
MF 61 PICK-UP (7 APRON) (FRAME AND ROLLERS)	62
MF 61 PICK-UP (7 APRON) (DRAPER)	65
MF 61 PICK-UP (7 APRON) (WHEEL, APRON AND WINDGUARD)	66
MF 61 PICK-UP (WHEELS AND LOWERING KIT) (PNEUMATIC TIRE)	69
MF 61 PICK-UP (6 APRON) (FRAME AND ROLLERS)	70
MF 61 PICK-UP (6 APRON) (DRAPER)	73
MF 61 PICK-UP (6 APRON) (WHEEL, APRON AND WINDGUARD)	74
MF 61 PICK-UP (VARIABLE SPEED AND DIRECT DRIVE)	77
ELEVATOR TO TABLE DRIVE	78
ELEVATOR DRIVE SHIELDS (PADDLE AND SLAT ELEVATOR)	81
ELEVATOR HOUSING REPAIR	82
ELEVATOR SHAFTS AND DRIVES	85
ELEVATOR SHAFTS AND DRIVES	86
ELEVATOR, TABLE TO CYLINDER	89
ELEVATOR CLUTCH (SLIP-GRAIN AND RICE)	93
ELEVATOR CLUTCH (ELECTRO MAGNETIC HEADER THROW-OUT)	94
ELEVATOR, TABLE TO CYLINDER (SLAT)	97
ELEVATOR, TABLE TO CYLINDER (SLAT)	98
ELEVATOR EXTENSION (PADDLE - CONVERSION TO TRACKS)	101
ELEVATOR, TOP SHAFT AND DRIVE (SLAT ELEVATOR)	102
CYLINDER HOUSING (USED MACHINE SERIAL NUMBER 174602713 & UP)	106
CYLINDER HOUSING	109
CYLINDER HOUSING	110
CYLINDER DRIVE (BELT) (SPEED - SINGLE/DBL.)	113
CYLINDER DRIVE	114
CYLINDER DRIVE	118
VARIABLE SPEED DRIVE CONTROL	122
VARIABLE SPEED DRIVE CONTROL	125
CYLINDER, RASP BAR (SOLID TYPE)	126
CYLINDER (SPIKE TOOTH) (7 SPIDER/5 SPIDER)	129
CONCAVE (RASP BAR) (WIDE/NARROW)	130
CONCAVE (SPIKE TOOTH)	133
CONCAVE CONTROL (USED MACHINE SERIAL NUMBER 174607663 AND UP)	134
CONCAVE CONTROL	137
CONCAVE CONTROL	138
CONCAVE CONTROL	141
STONE TRAP, FEED PLATE	142
STONE TRAP, FEED PLATE	145
FRONT BEATER (USED MACHINE SERIAL NUMBER 174600511 AND UP)	146
FRONT BEATER (USED MACHINE SERIAL NUMBER 174600511) PRIOR TO REAR BEATER	149
REAR BEATER	150
SHAKER SHOE	153
GRAIN PAN AND SHAKER SHAFT	154

TABLE OF CONTENT

SCREENS (SHAKER SHOE)	157
STRAW WALKERS (GRAIN, RICE)	158
STRAW WALKER AND RETURNS ELEVATOR DRIVE	162
LEFT HAND DRIVE	165
LEFT HAND DRIVE IDLERS	166
FANNING MILL	169
GRAIN ELEVATOR	170
GRAIN ELEVATOR DRIVE	173
GRAIN ELEVATOR DRIVE	174
GRAIN TANK	177
GRAIN TANK UNLOADER TOP	178
GRAIN TANK UNLOADER TOP	181
GRAIN TANK UNLOADER TOP	182
GRAIN TANK UNLOADER BOTTOM	185
GRAIN TANK UNLOADER BOTTOM	186
GRAIN TANK UNLOADER DRIVE	189
RETURNS ELEVATOR	193
RETURNS ELEVATOR CARRIERS	197
HOOD (USED MACHINE SERIAL NUMBER 174600511 AND UP)	201
HOOD (USED PRIOR TO MACHINE SERIAL NUMBER 174600511)	202
STRAW SPREADER	205
STRAW SPREADER DRIVE	206
MAIN FRAME	209
FRONT AXLE AND WHEELS	210
MAIN DRIVE	213
TRACTION CLUTCH (4 SPEED TRANSMISSION CONSTANT MESH)	214
TRACTION CLUTCH (4 SPEED TRANSMISSION)	218
TRACTION CLUTCH (4 SPEED TRANSMISSION)	222
TRACTION DRIVE (HYDROSTATIC TRANSMISSION)	225
VARIABLE SPEED TRACTON DRIVE (4 SPEED TRANSMISSION)	226
GEAR SHIFT (CONSTANT MESH TRANSMISSION)	230
GEAR SHIFT (USED MACHINE SERIAL NUMBER 174602474 AND UP)	233
GEAR SHIFT (USED PRIOR TO MACHINE SERIAL NUMBER 174602474)	234
TRANSMISSION (4 SPEED) (CONSTANT MESH)	237
TRANSMISSION (4 SPEED) (CONSTANT MESH) (EUROPE ONLY)	241
TRANSMISSION (4 SPEED)	245
TRANSMISSION (HYDROSTATIC) (CONSTANT MESH)	249
TRANSMISSION (HYDROSTATIC) (CONSTANT MESH) (EUROPE ONLY)	253
TRANSMISSION (HYDROSTATIC)	257
HYDROSTATIC CONTROLS	261
HYDROSTATIC CONTROLS	270
HYDROSTATIC PRESSURE RELIEF CONTROLS	265
HYDROSTATIC PRESSURE RELEASE CONTROLS (HYDROSTATIC CONTROLS)	269
HYDROSTATIC PRESSURE RELEASE CONTROLS	273
HYDROSTATIC CONTROLS (PRESSURE RELEASE)	274
HYDROSTATIC PUMP AND MOTOR (CONSTANT MESH TRANSMISSION)	277
HYDROSTATIC PUMP AND MOTOR	278
HYDROSTATIC PUMP	281
HYDROSTATIC PUMP	285
PUMP DRIVE MOTOR	289
PUMP DRIVE MOTOR	290
HYDROSTATIC COOLING SYSTEM	293
AUXILIARY EQUIPMENT HYDROSTATIC TRANSMISSION	294
FINAL DRIVE (USED MACHINE SERIAL NUMBER 174604064 AND UP)	297
FINAL DRIVE (USED MACHINE SERIAL NUMBER 174604064 AND UP)	302
FINAL DRIVE (USED PRIOR TO MACHINE SERIAL NUMBER 174604064)	298
FINAL DRIVE (RICE TRACK ONLY)	305
PARKING BRAKE CONTROLS (NORTH AMERICA AND EUROPE)	309
TURNING BRAKES (USED MACHINE SERIAL NUMBER 174605829 AND UP)	310
TURNING BRAKES	314
BRAKE CYLINDER, BRAKE ASSEMBLY	317
TRACK, FRAME AND AXLE (LEFT/RIGHT)	318
TRACK, IDLER AND ROLLERS (LEFT/RIGHT)	321
"A" FRAME, FIXED REAR AXLE, WHEELS	322
"A" FRAME, FIXED REAR AXLE, WHEELS - "A" FRAME, FIXED REAR AXLE, WHEELS	325
ADJUSTABLE REAR AXLE, WHEELS	326
WALKER BODY (USED MACHINE SERIAL NUMBER 174600511 AND UP)	330
WALKER BODY (USED PRIOR TO MACHINE SERIAL NUMBER 174600511)	333
OPERATOR'S PLATFORM AND LADDER	334
-----	---

TABLE OF CONTENT

CONTROL BOX (USED MACHINE SERIAL NUMBER 174605829 AND UP)	337
CONTROL BOX (USED PRIOR TO MACHINE SERIAL NUMBER 174605829)	338
INSTRUMENTS	341
SEAT (WITH CAB, LESS CAB)	345
STEERING PEDESTAL (CONSTANT MESH TRANSMISSION)	346
STEERING PEDESTAL	349
STEERING GEAR	350
ENGINE COVER EXTENSION AND CYCLONE INTAKE (AT6-354 ENGINE)	353
ENGINE COVER EXTENSION AND CYCLONE INTAKE (AV8-540 ENGINE)	354
ENGINE COVER EXTENSION	357
ENGINE COVER EXTENSION	358
ENGINE COVER EXTENSION	361
AIR INTAKE (USED PRIOR TO MACHINE SERIAL NUMBER 174607663)	362
ENGINE COVER (USED MACHINE SERIAL NUMBER 174607663 AND UP)	365
ENGINE COVER	366
ENGINE COVER (USED PRIOR TO MACHINE SERIAL NUMBER 174604064)	369
ELECTRICAL WIRING (6 CYLINDER ENGINE)	370
ELECTRICAL WIRING (6 CYLINDER ENGINE)	373
ELECTRICAL WIRING (6 CYLINDER ENGINE)	374
ELECTRICAL WIRING (8 CYLINDER ENGINE)	377
ELECTRICAL WIRING (8 CYLINDER ENGINE)	378
ALTERNATOR	381
ALTERNATOR	382
ALTERNATOR	385
ALTERNATOR CONVERSION KIT	386
STARTER	389
STARTER	393
SOLENOID	390
STARTER SOLENOID	394
ELECTRICAL WIRING	397
LIGHTING	398
ELECTRICAL WIRING (ROAD LIGHTS, EUROPE ONLY)	401
LIGHTING (ROAD LIGHTS, EUROPE ONLY)	402
FLOODLIGHTS (USED MACHINE SERIAL NUMBER 174604064 AND UP)	405
LIGHTS	406
LIGHTS (EUROPE)	409
HOUR METER, WARNING HORN	410
ELECTRIC ETHER STARTING KIT	413
CHOPPER ALARM SYSTEM (NORTH AMERICA)	414
TOOL BOX, FUEL TANK AND LINES	417
TOOL BOX, FUEL TANK AND LINES	418
TOOL BOX, FUEL TANK AND LINES	421
TOOL BOX, FUEL TANK AND LINES	422
FRONT SHIELDS (LEFT SIDE)	425
REAR SHIELDS (RIGHT SIDE)	426
HYDRAULIC CONTROLS	429
HYDRAULIC CONTROLS	430
HYDRAULIC CONTROLS (4 SPEED)	433
MAIN HYDRAULIC CONTROL VALVE (3 SPOOL)	434
HYDRAULIC CONTROL VALVE (3 SPOOL)	437
HYDRAULIC CONTROL VALVE (3 SPOOL)	438
HYDRAULIC CONTROL VALVE (2 SPOOL)	441
HYDROSTATIC VARIABLE SPEED REEL DRIVE	442
HYDROSTATIC VARIABLE SPEED REEL DRIVE	446
FLOW CONTROL VALVE	450
HYDRAULIC PRESSURE AND RETURN LINES	453
HYDRAULIC PRESSURE AND RETURN LINES	454
HYDRAULIC PRESSURE AND RETURN LINES	457
HYDRAULIC PRESSURE AND RETURN LINES	458
HYDRAULIC PUMP	461
HYDRAULIC TANK (WITH HYDRO/LESS HYDRO)	462
REEL LIFT HYDRAULICS	465
REEL LIFT HYDRAULICS	466
REEL LIFT CYLINDERS	469
TABLE LIFT HYDRAULICS	470
TABLE LIFT HYDRAULICS	473
HYDRAULIC CYLINDERS (TABLE LIFT CYLINDER)	474
TANK UNLOADER SWING CONTROLS	477
UNLOADER SPOUT CONTROLS	478
UNLOADER SPOUT CONTROLS	481

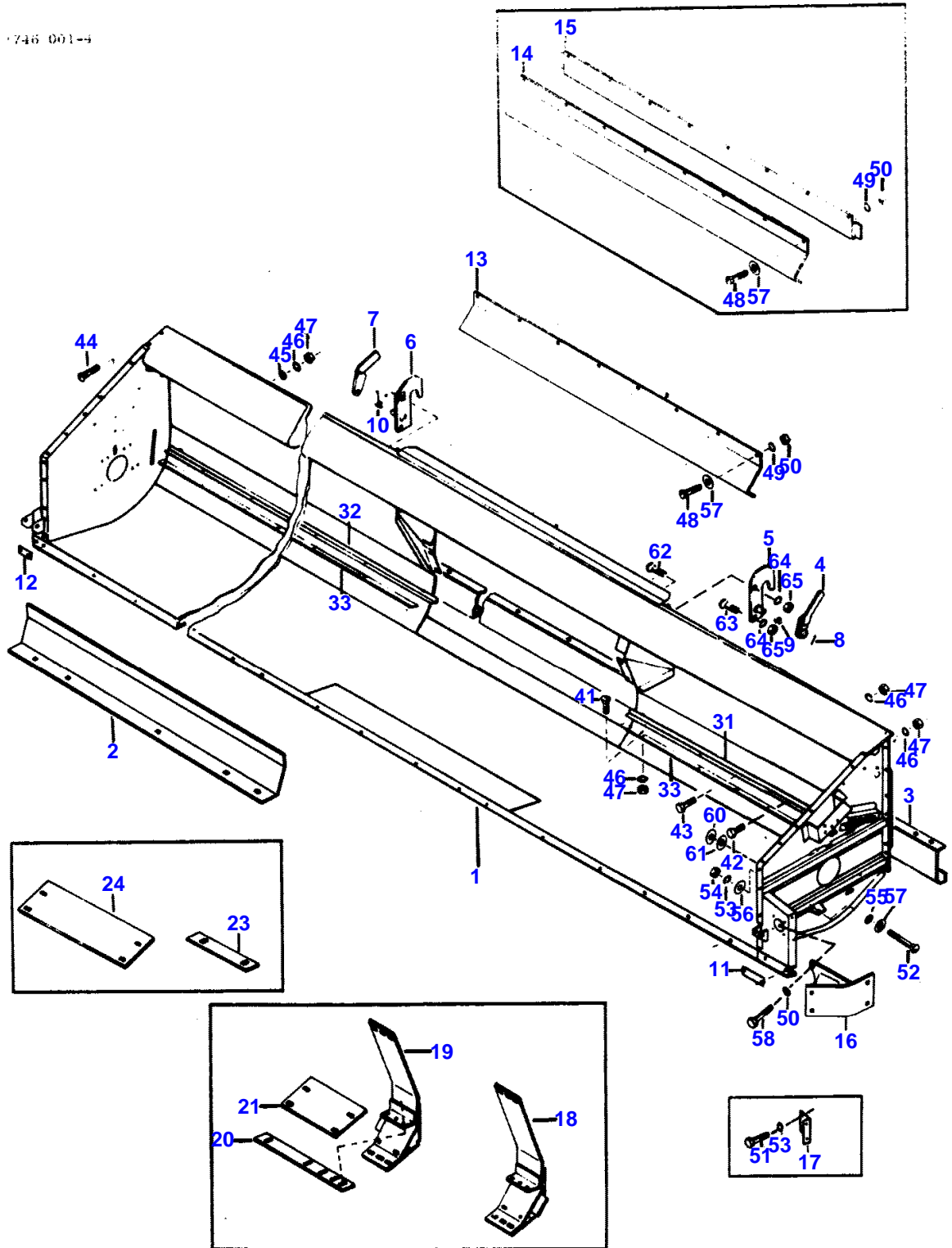
TANK UNLOADER HYDRAULICS	482
TANK UNLOADER HYDRAULICS	485
TANK UNLOADER HYDRAULICS	486
UNLOADER CONTROL VALVE	489
HYDRAULIC CYLINDERS (UNLOADER CYLINDER)	490
VARIABLE SPEED HYDRAULICS (4 SPEED)	493
VARIABLE SPEED HYDRAULICS	494
HYDRAULIC CYLINDERS (VARIABLE SPEED CYLINDER)	497
STEERING HYDRAULICS	498
STEERING HYDRAULICS	501
STEERING HYDRAULICS	502
STEERING HYDRAULICS	505
HYDROSTATIC STEERING PUMP AND CYLINDER (STEERING CYLINDER)	506
HYDROSTATIC STEERING UNIT	509
TABLE HEIGHT CONTROL	510
TABLE HEIGHT CONTROL	514
TABLE HEIGHT CONTROLS	513
TABLE HEIGHT CONTROLS	517
CONTROL VALVE (USED MACHINE SERIAL NUMBER 174607663 AND UP)	518
CONTROL VALVE (TABLE HEIGHT, REEL FORE AND AFT)	521
CONTROL VALVE SECTION (EUROPE ONLY)	522
TABLE HEIGHT HYDRAULICS	525
HYDRAULIC PUMP DRIVE AND ENGINE SUPPORTS	526
HYDRAULIC PUMP DRIVE AND ENGINE SUPPORTS	529
HYDRAULIC PUMP DRIVE AND ENGINE SUPPORTS	530
ADAPTING PARTS FOR CORN HEAD	533
GREASE HARNESS (USED MACHINE SERIAL NUMBER 174605829 AND UP)	534
GREASE HARNESS	537
GREASE HARNESS	538
REAR MOTOR HOUSING	541
REAR MOTOR HOUSING	542
BELTS (LEFT SIDE)	545
CHAINS	549
CHAINS	550
CHAINS	554
CHAINS	558
CONVEYOR CHAIN	561
EMBLEMS AND LABELS	562
CYLINDER BLOCK	565
CYLINDER BLOCK	566
PISTONS, RINGS AND RODS (AT6-354 DIESEL ENGINE)	569
CRANKSHAFT AND FLYWHEEL (AT6-354 DIESEL ENGINE)	570
TIMING GEAR (AT6-354 DIESEL ENGINE)	573
CYLINDER HEAD (AT6-354 DIESEL ENGINE)	574
CYLINDER HEAD COVER (AT6-354 DIESEL ENGINE)	577
OIL PAN, PUMP AND FILTER (AT6-354 DIESEL ENGINE)	578
GASKET SET (USED ENGINE SERIAL NUMBER 354UA9443T AND UP)	582
GASKET SETS (USED PRIOR TO ENGINE SERIAL NUMBER 3541UA9443T)	585
WATER PUMP (AT6-354 DIESEL ENGINE)	586
MANIFOLDS (AT6-354 DIESEL ENGINE)	589
AIR INTAKE AND EXHAUST	590
AIR INTAKE AND EXHAUST	593
PRE-CLEANER, PRE-SCREENER	594
THROTTLE CONTROL, FUEL SHUT-OFF (AT6-354 DIESEL ENGINE)	597
THROTTLE CONTROL, FUEL SHUT-OFF (AT6-354 DIESEL ENGINE)	598
INJECTION SYSTEM (AT6-354 DIESEL ENGINE)	601
FUEL INJECTION PUMP (AT6-354 DIESEL ENGINE)	602
FUEL FILTERS AND LINES (AT6-354 DIESEL ENGINE)	605
FUEL PUMP	606
RADIATOR, FAN, DRIVE (AT6-534 DIESEL)	609
RADIATOR, FAN DRIVE	610
RADIATOR, FAN DRIVE	614
RADIATOR AND FAN	617
CYLINDER BLOCK (AV8-540 DIESEL ENGINE)	618
CRANKSHAFT FLYWHEEL AND BEARINGS (AV8-540 DIESEL ENGINE)	621
CYLINDER HEAD AND VALVES (AV8-540 DIESEL ENGINE)	622
CYLINDER HEAD AND ROCKERSHAFT (AV8-540 DIESEL ENGINE)	625
CAMSHAFT AND TIMING GEARS (AV8-540 DIESEL ENGINE)	626
OIL PAN, PUMP AND COOLER (AV8-540 DIESEL ENGINE)	629

TABLE OF CONTENT

OIL PUMP (AV8-540 DIESEL ENGINE)	630
LUBRICATION OIL FILTER (AV8-540 DIESEL ENGINE)	633
ENGINE GASKET SETS (AV8-540 DIESEL ENGINE)	634
WATER PUMP (AV8-540 DIESEL ENGINE)	637
THROTTLE CONTROL, FUEL SHUT-OFF (AV8-540 DIESEL ENGINE)	638
THROTTLE CONTROL, FUEL SHUT-OFF (AV8-540 DIESEL ENGINE)	641
FUEL INJECTION LINES (AV8-540 DIESEL ENGINE)	642
FUEL FILTERS AND INJECTION PUMP	646
AUXILIARY DRIVE (AV8-540 DIESEL ENGINE)	649
AIR INTAKE (AV8-540 DIESEL ENGINES)	650
EXHAUST SYSTEM (AV8-540 DIESEL ENGINE)	653
INTAKE AND EXHAUST MANIFOLDS (AV8-540 DIESEL ENGINE)	654
RADIATOR, FAN, DRIVE (AV8-540 DIESEL)	657
RADIATOR, FAN DRIVE (AV8-540 DIESEL)	661
STRAW CHOPPER DRIVE	665
STRAW CHOPPER DRIVE	666
CAB (SHEET METAL, WINDOWS)	669
CAB (SEALING STRIPS)	670
CAB (SEALING STRIPS)	673
COMPRESSOR, EVAPORATOR AND CONDENSOR	674
COMPRESSOR, EVAPORATOR, CONDENSOR	677
COMPRESSOR, EVAPORATOR, CONDENSER	678
COMPRESSOR, EVAPORATOR, CONDENSER	681
AIR CONDITIONING AND LINES	682
AIR CONDITIONING LINES	685
AIR CONDITIONING LINES	686
AIR CONDITIONING LINES	689
AIR CONDITIONING LINES	690
CAB ELECTRICAL WIRING	693
CAB ELECTRICAL WIRING	694
CAB ELECTRICAL WIRING	697
PRESSURIZER	698
HEATER	701
WINDSHIELD WIPER (EUROPE ONLY)	702
PICK-UP REEL (GRAIN AND RICE)	707
PICK-UP REEL (GRAIN)	711
PICK-UP REEL (RICE) (1040 - 451 15', 452 16')	715
PICK-UP REEL (1040 - 518 15', 519 16', 520 18', 531 20')	716
PICK-UP REEL (RICE) (1040 - 617 15', 618 16')	720
PICK-UP REEL (EUROPE ONLY) (GRAIN)	723
CLUTCH AND ANTI-WRAP SHIELD (RICE COMBINE PICK-UP REEL)	724
DRAPER TABLE	728
TABLE BRACES	731
AUGER (DRAPER TABLE)	732
WOBBLE KNIFE DRIVE (DRAPER TABLE)	735
DRIVES, KNIFE AND AUGER (DRAPER TABLE)	736
DRAPER AND DRIVE (DRAPER TABLE)	739
REEL ARMS DIVIDERS AND SHIELDS (DRAPER TABLE) (L, R)	740
PICK-UP REEL (DRAPER TABLE) (1040 - 629, 631)	743
CLUTCH - PICK-UP REEL	744
REEL DRIVE HYDRAULICS (DRAPER TABLE)	747
REEL LIFT, HYDRAULICS (DRAPER TABLE)	748
HYDRAULIC MOTOR (DRAPER TABLE)	751
HYDRAULIC CYLINDERS (DRAPER TABLE)	752
REAR WHEEL DRIVE (AXLE, TIE ROD, WHEELS)	755
REAR WHEEL DRIVE (ELECTRICAL WIRING)	756
REAR WHEEL DRIVE (HYDRAULIC)	759
REAR WHEEL DRIVE (HYDRAULIC)	760
REAR WHEEL DRIVE (VALVES, SOLENOID)	763
REAR WHEEL DRIVE (AXLE KNEE, MOTOR HOUSING)	764
REAR WHEEL DRIVE (WHEEL HUB, CYLINDER BLOCK, HOUSING)	767
REAR WHEEL DRIVE (WHEEL MANIFOLD)	768
REAR WHEEL DRIVE (PLANET PINION, CARRIER, HOUSING)	771

TABLE

1746 001-4



1st Print

651 318 M97 (Issue 1) 11/78

TABLE (13', 14', 15', 16')

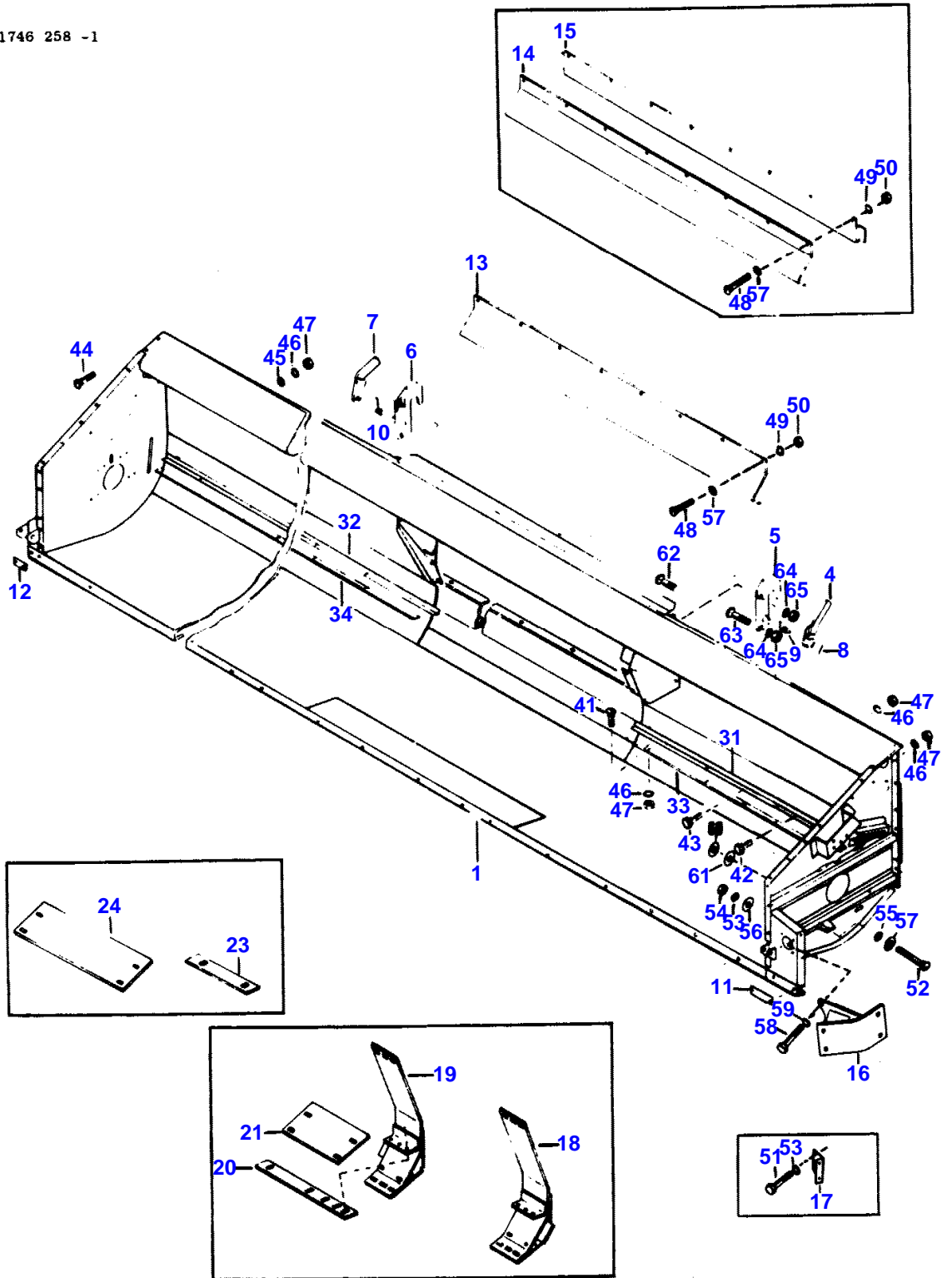
Item	Part Number	Qty	Description
1	264450M91	1	(A) Table Assembly (Centered) (Included Items 2 And 3) (13')
	261571M91	1	(B) Table Assembly (Centered) (Pick Up 13') (13')
2	261580M1	1	Extension, Bottom (Centered Table) (13')
3	261581M1	1	Support (13')
1	264453M91	1	(A) Table Assembly, (Centered) (14')
	261693M91	1	(B) Table Assembly, (Centered) (14')
	264454M91	1	(A) Table Assembly, (Centered) (15')
	264042M91	1	(B) Table Assembly, (Centered) (15')
	264456M91	1	(A) Table Assembly, (Centered) (16')
	261487M91	1	(B) Table Assembly, (Centered) (16')
4	262013M92	1	Cam Assembly, Left
5	261516M91	1	Hanger Assembly, Left
6	261517M91	1	Hanger Assembly, Right
7	262012M92	1	Cam Assembly, Right
8	363307X1	2	Pin (3/16 x 1-1/8" Groove)
9	261641M1	1	Spring, Left
10	261640M1	1	Spring, Right
11	369141X1	1	Strap (2-Hole) (Right)
12	369142X1	1	Strap (2 Hole) (Left)
	369142X1	1	Strap (2 Hole) (Right)
13	264022M91	1	(C) Shield Assembly
14	261775M1	1	(D) Shield
15	261610M1	1	(D) Shield (Inner)
16	264446M91	1	Bracket Assembly (14', 15', 16')
17	261729M1	1	(B) Bracket, Divider
18	272131M92	1	Filler Plate (Left)(4-3/16")(Europe Only
19	272137M92	1	Filler Plate (Right)(4-3/16")(Europe Only)
20	272141M1	2	Strap (12-3/16" Long - 5 Holes)
21	272142M1	2	Plate (10" Long - 4 Holes)(W/Filler
23	272144M1	2	Strip (8" Long - 2 Holes)(W/O Filler Plates)
24	272143M1	2	Plate (14-3/16" Long - 4 Holes)
31	261573M1	1	Angle, Left (49-7/16") (13')
	261694M1	1	Angle (Left) (14') (13')
	264057M1	1	Angle, Left (61-7/16") (15')
	261534M1	1	Angle, Left (67-7/16") (16')
32	261572M1	1	Angle, Right (49-7/16") (13')
	261696M1	1	Angle (Right) (14')
	264059M1	1	Angle, Right (61-7/16") (15')
	261535M1	1	Angle, Right (67-7/16") (16')
33	261574M1	2	Strap, Support (41-7/16" Long)(4 Holes) (13')
	261695M1	2	Strap, Support (47-7/16" Long) (3 Holes) (14')
	264058M1	2	Strap (53-7/16" Long) (15')
	261488M1	2	Strap, Support (59-7/16") (16')
41	364352X1	AR	Bolt (5/16 x 3/4" NC, Carr.)
42	353677X1	AR	Bolt (5/16 x 3/4" NC, Hex.)
43	353678X1	AR	Bolt (5/16 x 7/8" NC, Hex.)
44	364533X1	AR	Bolt (5/16 x 1-1/4" NC, Carr.)
45	353755X1	AR	Washer (11/32 x 11/16 x 5/64" Flat)
46	353446X1	AR	Washer (5/16" Lock)
47	355565X1	AR	Nut (5/16" NC, Hex.)
48	360513X1	AR	Bolt (3/8 x 3/4" NC, Carr.)
49	353434X1	AR	Washer (3/8" Lock)
50	355566X1	AR	Nut (3/8" NC, Hex.)
51	353701X1	AR	(B) Bolt (7/16 x 1-3/8" NC, Hex.)
52	364971X1	AR	Bolt (7/16 x 3" NC, Carr.)
53	353432X1	AR	(B) Washer (7/16" Lock)
54	355645X1	AR	Nut (7/16" NC, Hex.)
55	353757X1	AR	Washer (15/32 x 59/64 x 1/16" Flat)
56	361096X1	AR	Washer (15/32 x 59/64 x 1/32" Flat)
57	49307X	AR	Washer (7/16" Sq. Hole Flat)
58	353725X1	AR	(A) Bolt (1/2 x 1-3/4" NC, Hex.)
59	353439X1	AR	(A) Washer (1/2" Lock)
60	367127X1	AR	(A) Washer (17/32 x 15/16 x 1/16")
61	368049X1	AR	(A) Washer (5/8 x 1 x 1/64")
62	261006M1	AR	Bolt (3/8 x 2" NC, Special)
63	363423X1	AR	Bolt (5/8 x 2" NC, Carr.)
64	353433X1	AR	Washer (5/8" Lock)
65	375099X1	AR	Nut (5/8" NC, Hex.)

(A) - Used Table Serial Number
1859032098 And Up.

Item	Part Number	Qty	Description
			(B) - Used Prior To Table Serial Number 1859032098.
			(C) - Used Table Serial Number 185900105 And Up.
			(D) - Used Prior To Table Serial Number 185900105.
			For Repair Order Welded Shield Assembly 264022M91 (Item 13).

TABLE

1746 258 -1



Item	Part Number	Qty	Description
1	264458M91	1	(A) Table Assembly (Centered) (18')
	261672M91	1	(B) Table Assembly (Centered) (18')
	264459M91	1	(A) Table Assembly (Ctr. 20')
	261500M91	1	(B) Table Assembly (Ctr. 20')
	264460M91	1	(A) Table Assembly (20' Offset)
	470142M91	1	(B) Table Assembly (Offset 20')
	264461M91	1	(A) Table Assembly (Centered) (24')
	261746M91	1	Shield Assembly (Centered) (24')
4	262013M92	1	Cam Assembly, Left
5	261516M91	1	Hanger Assembly, Left
6	261517M91	1	Hanger Assembly, Right
7	262012M92	1	Cam Assembly, Right
8	363307X1	2	Pin (3/16 x 1-1/8" Groove)
9	261641M1	1	Spring, Left
10	261640M1	1	Spring, Right
11	369141X1	1	Strap (2-Hole) (Left)
12	369142X1	1	Strap (2 Hole) (Right)
13	264022M91	1	(C) Shield Assembly
14	261775M1	1	(D) Shield
15	261610M1	1	(D) Shield (Inner)
16	264446M91	1	(A) Bracket Assembly
17	261729M1	1	(B) Bracket, Divider
18	272131M92	1	Filler Plate (Left)(4-3/16")(Europe Only
20	272141M1	2	Strap (12-3/16" Long - 5 Holes)
21	272142M1	2	Plate (10" Long - 4 Holes)(W/Filler Plates)
23	272144M1	2	Strip (8" Long - 2 Holes)(W/O Filler Plates)
24	272143M1	2	Plate (14-3/16" Long - 4 Holes) (Used W/O Filler Plates)
31	261674M1	1	Angle, Left (79-7/16") (18')
	261520M1	1	Angle, Left (91-7/16") (Centered) (20')
	470138M1	1	Angle (Offset)(72-7/16") (20')
	261770M1	1	Angle, Left (24')
32	261673M1	1	Angle, Right (79-7/16") (18')
	261518M1	1	Angle, Right (Centered) (91-7/16") (20')
	470137M1	1	Angle, (Right) (Offset Table) (20')
	261768M1	1	Angle, Right (24')
33	261675M1	2	Strap, Support (71-7/16") (18')
	261521M1	2	Strap (83-7/16")(Centered Table) (20')
	470136M1	1	Strap (Offset)(64-7/16")(20')
34	470135M1	1	Strap, Right (Offset) (20')
33	261771M1	2	Strap, Table (24')
41	364352X1	AR	Bolt (5/16 x 3/4" NC, Carr.)
42	353677X1	AR	Bolt (5/16 x 3/4" NC, Hex.)
43	353678X1	AR	Bolt (5/16 x 7/8" NC, Hex.)
44	364533X1	AR	Bolt (5/16 x 1-1/4" NC, Carr.)
45	353755X1	AR	Washer (11/32 x 11/16 x 5/64" Flat)
46	353446X1	AR	Washer (5/16" Lock)
47	355565X1	AR	Nut (5/16" NC, Hex.)
48	360513X1	AR	Bolt (3/8 x 3/4" NC. Carr.)
49	353434X1	AR	Washer (3/8" Lock)
50	355566X1	AR	Nut (3/8" NC, Hex.)
51	353701X1	AR	(B) Bolt (7/16 x 1-3/8" NC, Hex.)
52	364971X1	AR	(B) Bolt (7/16 x 3" NC, Carr.)
53	353432X1	AR	(B) Washer (7/16" Lock)
54	355645X1	AR	Nut (7/16" NC, Hex.)
55	353757X1	AR	Washer (15/32 x 59/64 x 1/16" Flat)
56	361096X1	AR	(B) Washer (15/32 x 59/64 x 1/32" Flat)
57	49307X	AR	(B) Washer (7/16" Sq. Hole Flat)
58	353725X1	AR	(A) Bolt (1/2 x 1-3/4" NC, Hex.)
59	353439X1	AR	(A) Washer (1/2" Lock)
60	367127X1	AR	(A) Washer (17/32 x 15/16 x 1/16")
61	368049X1	AR	(A) Washer (5/8 x 1 x 1/64")
62	261006M1	AR	Bolt (3/8 x 2" NC, Special)
63	363423X1	AR	Bolt (5/8 x 2" NC, Carr.)
64	353433X1	AR	Washer (5/8" Lock)
65	375099X1	AR	Nut (5/8" NC, Hex.)

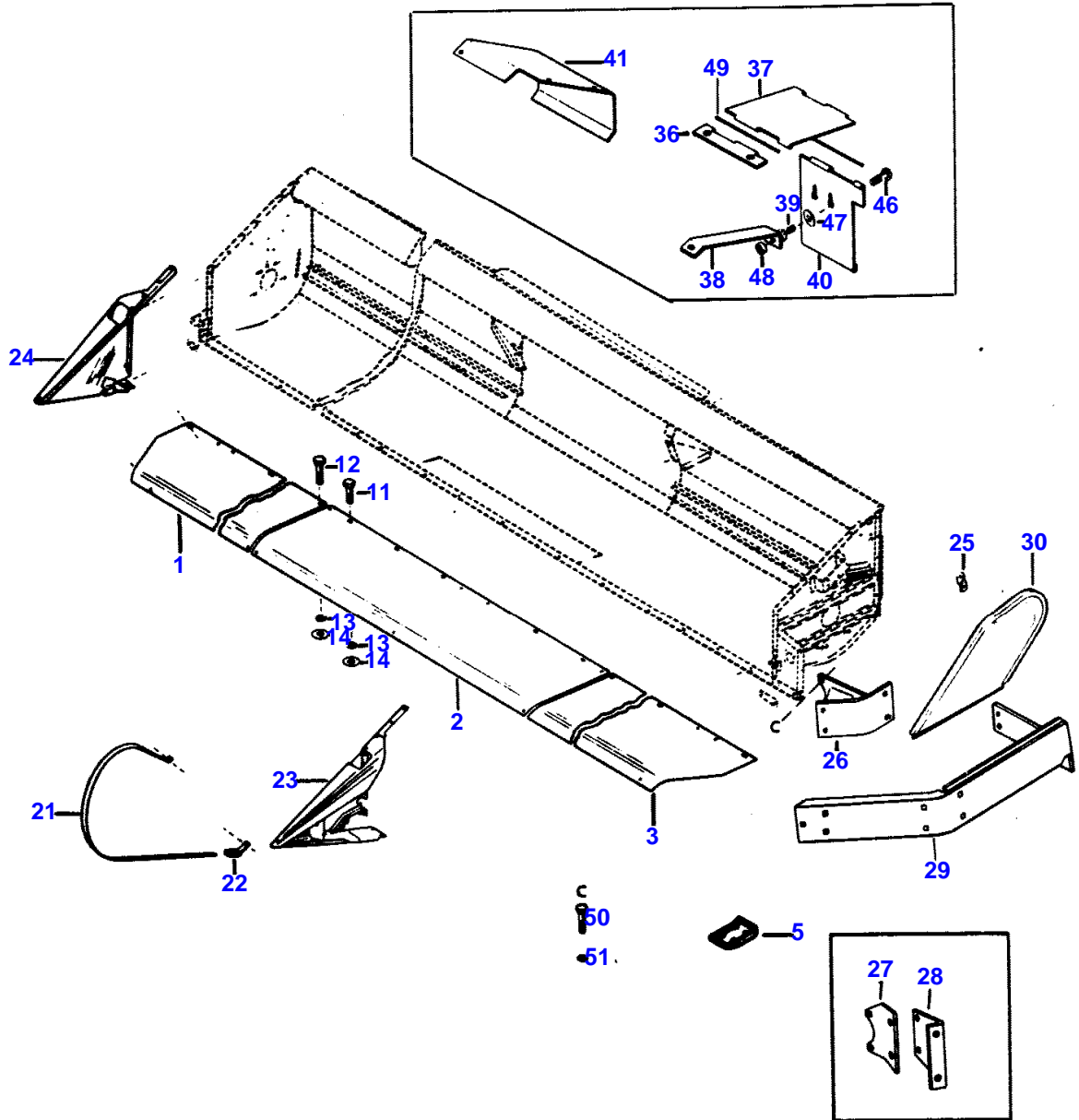
(A) - Used Table Serial Number
1859032098 And Up.
(B) - Used Prior To Table Serial Number
1859032098.
(C) - Used Table Serial Number

Item	Part Number	Qty	Description
			185900105 And Up. (D) - Used Prior To Table Serial Number 185900105. For Repair Order Welded Shield Assembly 264022M91 (Item 13).

6

TABLE PLATES, SHIELDS AND DIVIDERS

1746 002-3



1st Print

651 318 M97 (Issue 1) 11/78

Item	Part Number	Qty	Description
1	261664M91	1	Plate Assembly, Right (14')
	264040M91	1	Plate Assembly, Right (15')
	261564M91	1	Plate Assembly, Right (16')
2	261562M91	1	Plate Assembly, Center (14', 15', 16')
3	261665M91	1	Plate Assembly, Table Bottom (Left)(14')
	264038M91	1	Plate Assembly, Left (15')
	261565M91	1	Plate Assembly, Left (16')
5	261568M1	5	Shoe (13', 14')
	261568M1	6	Shoe (15')
	261568M1	7	Shoe (16')
11	353689X1	AR	Bolt (3/8 x 3/4" NC, Hex.)(14', 15',16')
12	353691X1	AR	Bolt (3/8 x 1" NC, Hex.)(14', 15', 16')
13	353434X1	AR	Washer (3/8" Lock) (14', 15', 16')
14	353756X1	AR	Washer (13/32 x 13/16 x 1/16" Flat) (14', 15', 16')
21	239746M1	2	Guard (14', 15', 16')
22	236125M91	2	Bracket Assembly (14', 15', 16')
23	260683M94	1	Divider Assembly (Left) (14', 15', 16')
24	260676M94	1	Divider Assembly (Right) (14', 15', 16')
25	261408M1	1	Bracket, Lift Arm (14', 15', 16')
26	264446M91	1	(A) Bracket Assembly (14', 15', 16')
27	261729M1	1	(B) Bracket, Divider (14', 15', 16')
28	261728M1	1	(B) Bracket, Divider (14', 15', 16')
29	261726M91	1	Shield Assembly (14', 15', 16')
30	261409M91	1	Shield Assembly (14', 15', 16')
36	261622M1	2	Hinge, Shield
37	261623M1	2	Shield, Right
38	261624M1	2	Support
39	261625M1	2	Spring
40	261626M1	2	Shield, Right
41	261627M1	1	Shield (16')
46	355156X1	AR	Bolt (5/16 x 1-1/2" NC, Sltd. Truss Hd.)
47	355618X1	AR	Washer (5/16" Flat)
48	375108X1	AR	Nut (5/16" NC, Half Hex.)
49	365695X1	4	Pin (1/4 x 5-3/4" Headless)
50	353725X1	AR	(A) Bolt (1/2 x 1-3/4" NC, Hex.)
	353701X1	AR	(B) Bolt (7/16 x 1-3/8" NC, Hex.)
51	353439X1	AR	(A) Washer (1/2" Lock)
	353432X1	AR	(B) Washer (7/16" Lock)

(A) - Used Table Serial Number
1859032098 And Up.
(B) - Used Prior To Table Serial Number
1859032098.

Buy Now



Our support email:

ebooklibonline@outlook.com