

Page Title	Page Number
TABLE	2
TABLE	5
TABLE PLATES, SHIELDS AND DIVIDERS	6
TABLE PLATES, SHIELDS AND DIVIDERS	9
AUGER	10
AUGER	14
KNIFE	18
WOBBLE KNIFE DRIVE - TABLE	21
WOBBLE KNIFE DRIVE - TABLE	22
DRIVE, TABLE AND REEL	25
DRIVE, TABLE AND REEL	29
DRIVE, TABLE AND REEL - CHAIN DRIVE	33
ELECTRIC VARIABLE SPEED PICK-UP REEL DRIVE	37
ELECTRIC VARIABLE SPEED REEL DRIVE - BELT	38
ELECTRIC MOTOR AND WIRING	41
HYDROSTATIC REEL DRIVE HYDRAULICS	42
HYDRAULIC MOTOR	45
REEL AND SUPPORTS	46
REEL LIFT	49
MF 67 PICK-UP - FRAME, DRUM, GRAIN PAN	50
MF 67 PICK-UP - WINDBAR, WHEELS	53
MF 67 PICK-UP (DRUM) - DRIVE, DRIVE EXTENSION, GUARDS	54
MF 67 PICK-UP (DRAPER) - FRAME, ROLLER, GRAIN PAN, BELTS	57
MF 67 PICK-UP (DRAPER) - WINDBAR, WHEELS	58
MF 67 PICK-UP (DRAPER) - DRIVE, DRIVE EXTENSION, GUARDS	61
MF 61 PICK-UP - 7 APRON	62
MF 61 PICK-UP - 7 APRON	65
MF 61 PICK-UP - 7 APRON	66
MF 61 PICK-UP - WHEELS AND LOWERING KIT	69
MF 61 PICK-UP - 6 APRON	70
MF 61 PICK-UP - 6 APRON	73
MF 61 PICK-UP - 6 APRON	74
MF 61 PICK UP - VARIABLE SPEED AND DIRECT DRIVE	77
ELEVATOR TO TABLE DRIVE	78
ELEVATOR DRIVE SHIELDS - PADDLE AND SLAT ELEVATOR	81
ELEVATOR HOUSING REPAIR	82
ELEVATOR SHAFTS AND DRIVES - MACHINE	85
ELEVATOR SHAFTS AND DRIVES - MACHINE	86
ELEVATOR, TABLE TO CYLINDER	89
ELEVATOR CLUTCH - SLIP-GRAIN AND RICE	93
ELEVATOR CLUTCH - ELECTRO MAGNETIC HEADER THROW-OUT	94
ELEVATOR, TABLE TO CYLINDER - SLAT	97
ELEVATOR, TABLE TO CYLINDER - SLAT	98
ELEVATOR EXTENSION - PADDLE - COVERSION TO TRACKS	101
ELEVATOR, TOP SHAFT AND DRIVE - SLAT ELEVATOR	102
CYLINDER HOUSING - MACHINE	106
CYLINDER HOUSING - MACHINE	109
CYLINDER HOUSING - MACHINE	110
CYLINDER DRIVE - BELT	113
CYLINDER DRIVE - MACHINE	114
CYLINDER DRIVE - MACHINE	118
VARIABLE SPEED DRIVE CONTROL - MACHINE	122
VARIABLE SPEED DRIVE CONTROL - MACHINE	125
CYLINDER, RASP BAR - SOLID TYPE	126
CYLINDER - SPIKE TOOTH	129
CONCAVE - RASP BAR	130
CONCAVE - SPIKE TOOTH	133
CONCAVE CONTROL - MACHINE	134
CONCAVE CONTROL - MACHINE	137
CONCAVE CONTROL - MACHINE	138
CONCAVE CONTROL - MACHINE	141
STONE TRAP, FEED PLATE - MACHINE	142
STONE TRAP, FEED PLATE - MACHINE	145
FRONT BEATER - MACHINE	146
FRONT BEATER - MACHINE	149
REAR BEATER	150

TABLE OF CONTENT

SHAKER SHOE	153
GRAIN PAN AND SHAKER SHAFT	154
SCREENS - SHAKER SHOE	157
STRAW WALKERS	158
STRAW WALKERS AND RETURNS ELEVATOR DRIVE	162
LEFT HAND DRIVE	165
LEFT HAND DRIVE IDLERS	166
FANNING MILL	169
GRAIN ELEVATOR	170
GRAIN ELEVATOR DRIVE - MACHINE	173
GRAIN ELEVATOR DRIVE - MACHINE	174
GRAIN TANK	177
GRAIN TANK UNLOADER TOP - MACHINE	178
GRAIN TANK UNLOADER TOP - USED MACHINE SERIAL NUMBER 17460511 TO 174607663	181
GRAIN TANK UNLOADER TOP - MACHINE	182
GRAIN TANK UNLOADER BOTTOM - MACHINE	185
GRAIN TANK UNLOADER BOTTOM - MACHINE	186
GRAIN TANK UNLOADER DRIVE	189
RETURNS ELEVATOR	193
RETURNS ELEVATOR CARRIERS	197
HOOD - MACHINE	201
HOOD - MACHINE	202
STRAW SPREADER	205
STRAW SPREADER DRIVE	206
MAIN FRAME	209
FRONT AXLE, SHAFT AND WHEELS	210
MAIN DRIVE	213
TRACTION CLUTCH - 4 SPEED TRANSMISSION CONSTANT MESH	214
TRACTION CLUTCH - 4 SPEED TRANSMISSION	218
TRACTION CLUTCH - 4 SPEED TRANSMISSION	222
TRACTION DRIVE - HYDROSTATIC TRANSMISSION	225
VARIABLE SPEED TRACTION DRIVE - 4 SPEED TRANSMISSION	226
GEAR SHIFT - CONSTANT MESH TRANSMISSION	230
GEAR SHIFT - MACHINE	233
GEAR SHIFT - MACHINE	234
TRANSMISSION - 4 SPEED	237
TRANSMISSION - 4 SPEED	241
TRANSMISSION - 4 SPEED	245
TRANSMISSION - HYDROSTATIC	249
TRANSMISSION - HYDROSTATIC	253
TRANSMISSION - HYDROSTATIC	257
HYDROSTATIC CONTROLS - MACHINE	261
HYDROSTATIC PRESSURE RELEASE CONTROLS - CONSTANT MESH TRANSMISSION	265
HYDROSTATIC PRESSURE RELEASE CONTROLS - HYDROSTATIC CONTROLS	269
HYDROSTATIC CONTROLS - MACHINE	270
HYDROSTATIC PRESSURE RELEASE CONTROLS - MACHINE	273
HYDROSTATIC PRESSURE RELEASE CONTROLS - MACHINE	274
HYDROSTATIC PUMP AND MOTOR - CONSTANT MESH TRANSMISSION	277
HYDROSTATIC PUMP AND MOTOR	278
HYDROSTATIC PUMP - MACHINE	281
HYDROSTATIC PUMP - MACHINE	285
PUMP DRIVE MOTOR - MACHINE	289
PUMP DRIVE MOTOR - MACHINE	290
HYDROSTATIC COOLING SYSTEM - MACHINE	293
AUXILIARY EQUIPMENT HYDROSTATIC TRANSMISSIONS - HYDROSTATIC COOLING SYSTEM	294
FINAL DRIVE - MACHINE	297
FINAL DRIVE - MACHINE	298
FINAL DRIVE - MACHINE	302
FINAL DRIVE - RICE TRACK	305
PARKING BRAKE CONTROLS	309
TURNING BRAKES - MACHINE	310
TURNING BRAKES - MACHINE	314
BRAKE CYLINDER, BRAKE ASSEMBLY	317
TRACK, FRAME AND AXLE	318
TRACK, IDLER AND ROLLERS	321
A FRAME, FIXED REAR AXLE, WHEELS - MACHINE	322
A FRAME, FIXED REAR AXLE, WHEELS - MACHINE	325
ADJUSTABLE REAR AXLE, WHEELS	326

TABLE OF CONTENT

TRANSMISSION	329
WALKER BODY - MACHINE	330
WALKER BODY - MACHINE	333
OPERATORS PLATFORM AND LADDER	334
CONTROL BOX - MACHINE	337
CONTROL BOX - MACHINE	338
INSTRUMENTS	341
SEAT	345
STEERING PEDESTAL - CONSTANT MESH TRANSMISSION	346
STEERING PEDESTAL	349
STEERING GEAR	350
ENGINE COVER EXTENSION AND CYCLONE INTAKE - AT6-354 ENGINE	353
ENGINE COVER EXTENSION AND CYCLONE INTAKE - AV8-540 ENGINE	354
ENGINE COVER EXTENSION - MACHINE	357
ENGINE COVER EXTENSION - MACHINE	358
ENGINE COVER EXTENSION - MACHINE	361
AIR INTAKE - MACHINE	362
ENGINE COVER - MACHINE	365
ENGINE COVER - MACHINE	366
ENGINE COVER - MACHINE	369
ELECTRICAL WIRING - 6 CYLINDER ENGINE	370
ELECTRICAL WIRING - 6 CYLINDER ENGINE	373
ELECTRICAL WIRING - 6 CYLINDER ENGINE	374
ELECTRICAL WIRING - 8 CYLINDER ENGINE	377
ELECTRICAL WIRING - 8 CYLINDER ENGINE	378
ALTERNATOR - USED WITH AIR CONDITIONING.	381
ALTERNATOR - USED W/O AIR CONDITIONING	382
ALTERNATOR - MACHINE	385
ALTERNATOR CONVERSION KIT - MACHINE	386
STARTER - USED ON MACHINES EQUIPPED WITH AT6-354 DIESEL ENGINES ONLY	389
SOLENOID - USED ON MACHINES EQUIPPED WITH AT6-354 DIESEL ENGINES ONLY	390
STARTER - USED ON MACHINES EQUIPPED WITH AV8-540 DIESEL ENGINES ONLY	393
STARTER SOLENOID - USED ON MACHINES EQUIPPED WITH AV8-540 DIESEL ENGINES ONLY	394
ELECTRICAL WIRING	397
LIGHTING	398
ELECTRICAL WIRING - ROAD LIGHTS, EUROPE ONLY	401
LIGHTING - ROAD LIGHTS, EUROPE ONLY	402
FLOODLIGHTS - MACHINE	405
LIGHTS	406
LIGHTS - EUROPE	409
HOURLY METER, WARNING HORN	410
ELECTRIC ETHER STARTING KIT	413
CHOPPER ALARM SYSTEM	414
TOOL BOX, FUEL TANK AND LINES - MACHINE	417
TOOL BOX, FUEL TANK AND LINES - MACHINE	418
TOOL BOX, FUEL TANK AND LINES - MACHINE	421
TOOL BOX, FUEL TANK AND LINES - MACHINE	422
FRONT SHIELDS	425
REAR SHIELDS	426
HYDRAULIC CONTROLS - MACHINE	429
HYDRAULIC CONTROLS - MACHINE	430
HYDRAULIC CONTROLS - 4 SPEED	433
MAIN HYDRAULIC CONTROL VALVE - 3 SPOOL	434
HYDRAULIC CONTROL VALVE - 3 SPOOL	437
HYDRAULIC CONTROL VALVE - THREE SPOOL	438
HYDRAULIC CONTROL VALVE - 2 SPOOL	441
HYDROSTATIC VARIABLE SPEED REEL DRIVE - HYDRAULIC PRESSURE AND RETURN LINES	442
HYDROSTATIC VARIABLE SPEED REEL DRIVE - HYDRAULIC PRESSURE AND RETURN LINES	446
FLOW CONTROL VALVE	450
HYDRAULIC PRESSURE AND RETURN LINES - MACHINE	453
HYDRAULIC PRESSURE AND RETURN LINES - MACHINE	454
HYDRAULIC PRESSURE AND RETURN LINES - MACHINE	457
HYDRAULIC PRESSURE AND RETURN LINES - MACHINE	458
HYDRAULIC PUMP	461
HYDRAULIC TANK	462
REEL LIFT HYDRAULICS - MACHINE	465
REEL LIFT HYDRAULICS - MACHINE	466
REEL LIFT CYLINDERS	469

TABLE OF CONTENT

TABLE LIFT HYDRAULICS - MACHINE	470
TABLE LIFT HYDRAULICS - MACHINE	473
HYDRAULIC CYLINDERS - TABLE LIFT CYLINDER	474
TANK UNLOADER SWING CONTROLS - MACHINE	477
UNLOADER SPOUT CONTROLS - MACHINE	478
UNLOADER SPOUT CONTROLS - MACHINE	481
TANK UNLOADER HYDRAULICS - MACHINE	482
TANK UNLOADER HYDRAULICS - MACHINE	485
TANK UNLOADER HYDRAULICS - MACHINE	486
UNLOADER CONTROL VALVE - MACHINE	489
HYDRAULIC CYLINDERS	490
VARIABLE SPEED HYDRAULICS - 4 SPEED	493
VARIABLE SPEED HYDRAULICS - MACHINE	494
HYDRAULIC CYLINDERS	497
STEERING HYDRAULICS - MACHINE	498
STEERING HYDRAULICS - USED LATE PRODUCTION	501
STEERING HYDRAULICS - USED EARLY PRODUCTION TRACTORS.	502
STEERING HYDRAULICS - MACHINE	505
HYDROSTATIC STEERING PUMP AND CYLINDERS	506
HYDROSTATIC STEERING UNIT	509
TABLE HEIGHT CONTROL - MACHINE	510
TABLE HEIGHT CONTROL - MACHINE	513
TABLE HEIGHT CONTROL - MACHINE	514
TABLE HEIGHT CONTROL - MACHINE	517
CONTROL VALVE - MACHINE	518
CONTROL VALVE - TABLE HEIGHT, REEL FORE AND AFT	521
CONTROL VALVE SECTION - EUROPE ONLY	522
TABLE HEIGHT HYDRAULICS - MACHINE	525
HYDRAULIC PUMP DRIVE AND ENGINE SUPPORTS - MACHINE	526
HYDRAULIC PUMP DRIVE AND ENGINE SUPPORTS - MACHINE	529
HYDRAULIC PUMP DRIVE AND ENGINE SUPPORTS - MACHINE	530
ADAPTING PARTS FOR CORN HEAD	533
GREASE HARNESS - MACHINE	534
GREASE HARNESS - MACHINE	537
GREASE HARNESS - MACHINE	538
REAR MOTOR HOUSING - MACHINE	541
REAR MOTOR HOUSING - MACHINE	542
BELTS	545
CHAINS	549
CHAINS	550
CHAINS	554
CHAINS	558
CONVEYOR CHAIN	561
EMBLEMS AND LABELS	562
CYLINDER BLOCK - ENGINE	565
CYLINDER BLOCK - ENGINE	566
PISTONS, RINGS AND RODS - AT6-354 DIESEL	569
CRANKSHAFT AND FLYWHEEL - AT6-354 DIESEL	570
TIMING GEAR - AT6-354 DIESEL	573
CYLINDER HEAD - AT6-354 DIESEL	574
CYLINDER HEAD COVER - AT6-354 DIESEL	577
OIL PAN, PUMP AND FILTER - AT6-354 DIESEL	578
GASKET SET - ENGINE	582
GASKET SETS - ENGINE	585
WATER PUMP - AT6-354 DIESEL	586
MANIFOLDS - AT6-354 DIESEL	589
AIR INTAKE AND EXHAUST - COMBINE	590
AIR INTAKE AND EXHAUST - COMBINE	593
PRE-CLEANER, PRE-SCREENER	594
THROTTLE CONTROL, FUEL SHUT-OFF - AT6-354 DIESEL	597
THROTTLE CONTROL, FUEL SHUT-OFF - AT6-354 DIESEL	598
INJECTION SYSTEM - AT6-354 DIESEL	601
FUEL INJECTION PUMP - AT6-354 DIESEL	602
FUEL FILTERS AND LINES - AT6-354 DIESEL	605
FUEL PUMP	606
RADIATOR, FAN, DRIVE - AT6-354 DIESEL	609
RADIATOR, FAN, DRIVE - COMBINE	610
RADIATOR, FAN, DRIVE - COMBINE	614

TABLE OF CONTENT

RADIATOR AND FAN - COMBINE	617
CYLINDER BLOCK - AV8-540 DIESEL	618
CRANKSHAFT FLYWHEEL AND BEARINGS - AV8-540 DIESEL ENGINE	621
CYLINDER HEAD AND VALVES - AV8-540 DIESEL ENGINE	622
CYLINDER HEAD COVER AND ROCKERSHAFT - AV8-540 DIESEL ENGINE	625
CAMSHAFT AND TIMING GEARS - AV8-540 DIESEL ENGINE	626
OIL PAN, PUMP AND COOLER - AV8-540 DIESEL ENGINE	629
OIL PUMP - AV8-540 DIESEL ENGINE	630
LUBRICATION OIL FILTER - AV8-540 DIESEL ENGINE	633
ENGINE GASKET SETS - AV8-540 DIESEL ENGINE	634
WATER PUMP - AV8-540 DIESEL ENGINE	637
THROTTLE CONTROL, FUEL SHUT-OFF - AV8-540 DIESEL ENGINE	638
THROTTLE CONTROL, FUEL SHUT-OFF - AV8-540 DIESEL ENGINE	641
FUEL INJECTION LINES - AV8-540 DIESEL ENGINE	642
FUEL FILTER AND INJECTION PUMP	646
AUXILIARY DRIVE - AV8-540 DIESEL ENGINE	649
AIR INTAKE - AV8-540 DIESEL ENGINE	650
EXHAUST SYSTEM - AV8-540 DIESEL ENGINE	653
INTAKE AND EXHAUST MANIFOLDS - AV8-540 DIESEL ENGINE	654
RADIATOR, FAN, DRIVE - AV8-540 DIESEL	657
RADIATOR, FAN, DRIVE - AV8-540 DIESEL ENGINE	661
STRAW CHOPPER DRIVE	665
CAB - SHEET METAL, WINDOWS	669
CAB - SEALING STRIPS	670
CAB - SEALING STRIPS	673
COMPRESSOR, EVAPORATOR, CONDENSOR - MACHINE	674
COMPRESSOR, EVAPORATOR, CONDENSOR - MACHINE	677
COMPRESSOR, EVAPORATOR, CONDENSOR - COMBINE	678
COMPRESSOR, EVAPORATOR, CONDENSOR - COMBINE	681
AIR CONDITIONING AND LINES - MACHINE	682
AIR CONDITIONING LINES - MACHINE	685
AIR CONDITIONING LINES - MACHINE	686
AIR CONDITIONING LINES - MACHINE	689
AIR CONDITIONING LINES - MACHINE	690
CAB ELECTRICAL WIRING - MACHINE	693
CAB ELECTRICAL WIRING - MACHINE	694
CAB ELECTRICAL WIRING - MACHINE	697
PRESSURIZER	698
HEATER	701
WINDSHIELD WIPER - EUROPE ONLY	702
PICK-UP REEL - GRAIN AND RICE	707
PICK-UP REEL - GRAIN	711
PICK-UP REEL - RICE	715
PICK-UP REEL	716
PICK-UP REEL - RICE	720
PICK-UP REEL - EXPORT ONLY	723
CLUTCH AND ANTI-WRAP SHIELD - RICE COMBINE PICK-UP REEL	727
DRAPER TABLE	728
TABLE BRACES	731
AUGER - DRAPER TABLE	732
WOBBLE KNIFE DRIVE - DRAPER TABLE	735
DRIVES, KNIFE AND AUGER - DRAPER TABLE	736
DRAPER AND DRIVE - DRAPER TABLE	739
REEL ARMS DIVIDERS AND SHIELDS - DRAPER TABLE	740
PICK-UP REEL - DRAPER TABLE	743
CLUTCH - PICK-UP REEL	744
REEL DRIVE HYDRAULICS - DRAPER TABLE	747
REEL LIFT, HYDRAULICS - DRAPER TABLE	748
HYDRAULIC MOTOR - DRAPER TABLE	751
HYDRAULIC CYLINDERS - DRAPER TABLE	752
REAR WHEEL DRIVE - AXLE, TIE ROD, WHEELS	755
REAR WHEEL DRIVE - ELECTRICAL WIRING	756
REAR WHEEL DRIVE - HYDRAULICS	759
REAR WHEEL DRIVE - HYDRAULICS	760
REAR WHEEL DRIVE - VALVES, SOLENOID	763
REAR WHEEL DRIVE - AXLE KNEE, MOTOR HOUSING	764
REAR WHEEL DRIVE - WHEEL HUB, CYLINDER BLOCK, HOUSING	767
REAR WHEEL DRIVE - WHEEL MANIFOLD	768

MASSEY FERGUSON

MF 760 COMBINE, ->| 1746009412 (US) - 651318EA

651318EA

TABLE OF CONTENT

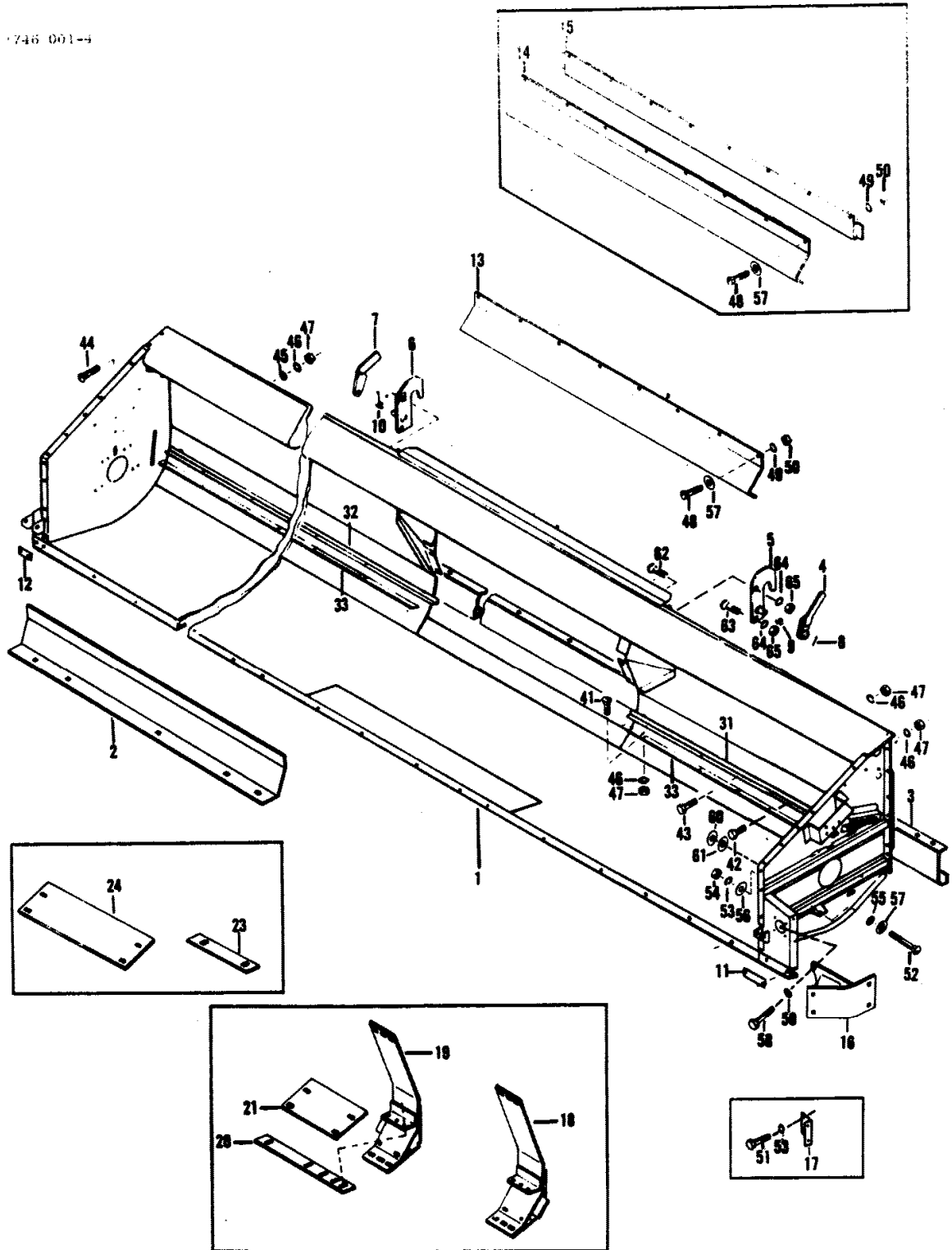
00

REAR WHEEL DRIVE - PLANET PINION, CARRIER, HOUSING

771

TABLE

746 001-4



1st Print

651 318 M97 (Issue 1) 11/78

TABLE

Item	Part Number	Qty	Description	Comments
1	264450M91	1	Table	(A, E) INCL. REF. 2 AND 3
1	261571M91	1	Table	(B, E)
2	261580M1	1	Extension	(E)
3	261581M1	1	Support	(E)
1	264453M91	1	Table	(A, F)
	261693M91	1	Table	(B, F)
	264454M91	1	Table	(A, G)
	264042M91	1	Table	(B, G)
	264456M91	1	Table	(A, H)
	261487M91	1	Table	(B, H)
4	262013M92	1	Cam	Left Hand (E, F, G, H)
5	261516M91	1	Plate	Left Hand (E, F, G, H)
6	261517M91	1	Plate	Right Hand (E, F, G, H)
7	262012M92	1	Cam	Right Hand (E, F, G, H)
8	363307X1	2	Pin	3/16 X 1-1/8" (E, F, G, H)
9	261641M1	1	Spring	Left Hand (E, F, G, H)
10	261640M1	1	Spring	Right Hand (E, F, G, H)
11	369141X1	1	Plate	Left Hand (E, F, G, H)
12	369142X1	1	Plate	Right Hand (E, F, G, H)
13	264022M91	1	Cowl	(C, E, F, G, H)
14	261775M1	1	Shield	(D, E, F, G, H)
15	261610M1	1	Shield	(D, E, F, G, H)
16	264446M91	1	Support	(A, F, G, H)
17	261729M1	1	Bearer	(B, E, F, G, H)
18	272131M92	1	Plate	Left Hand (E, F, G, H)
19	272137M92	1	Plate	Right Hand (E, F, G, H)
20	272141M1	2	Plate	(E, F, G, H)
21	272142M1	2	Plate	(E, F, G, H)
23	272144M1	2	Plate	(E, F, G, H)
24	272143M1	2	Plate	(E, F, G, H)
31	261573M1	1	Anglepiece	Left Hand (E)
31	261694M1	1	Angle	Left Hand (F)
31	264057M1	1	Angle	Left Hand (G)
31	261534M1	1	Anglepiece	Left Hand (H)
32	261572M1	1	Anglepiece	Right Hand (E)
32	261696M1	1	Angle	Right Hand (F)
32	264059M1	1	Angle	Right Hand (G)
32	261535M1	1	Anglepiece	Right Hand (H)
33	261574M1	2	Strap	(E)
	261695M1	2	Strap	(F)
	264058M1	2	Strap	(G)
	261488M1	2	Plate	(H)
41	364352X1	AR	Bolt Unc	(E, F, G, H)
42	353677X1	AR	Screw Unc	(E, F, G, H)
43	353678X1	AR	Screw Unc	(E, F, G, H)
44	364533X1	AR	Bolt	(E, F, G, H)
45	353755X1	AR	Washer	5/16" (E, F, G, H)
46	353446X1	AR	Lock Washer	5/16" (E, F, G, H)

TABLE

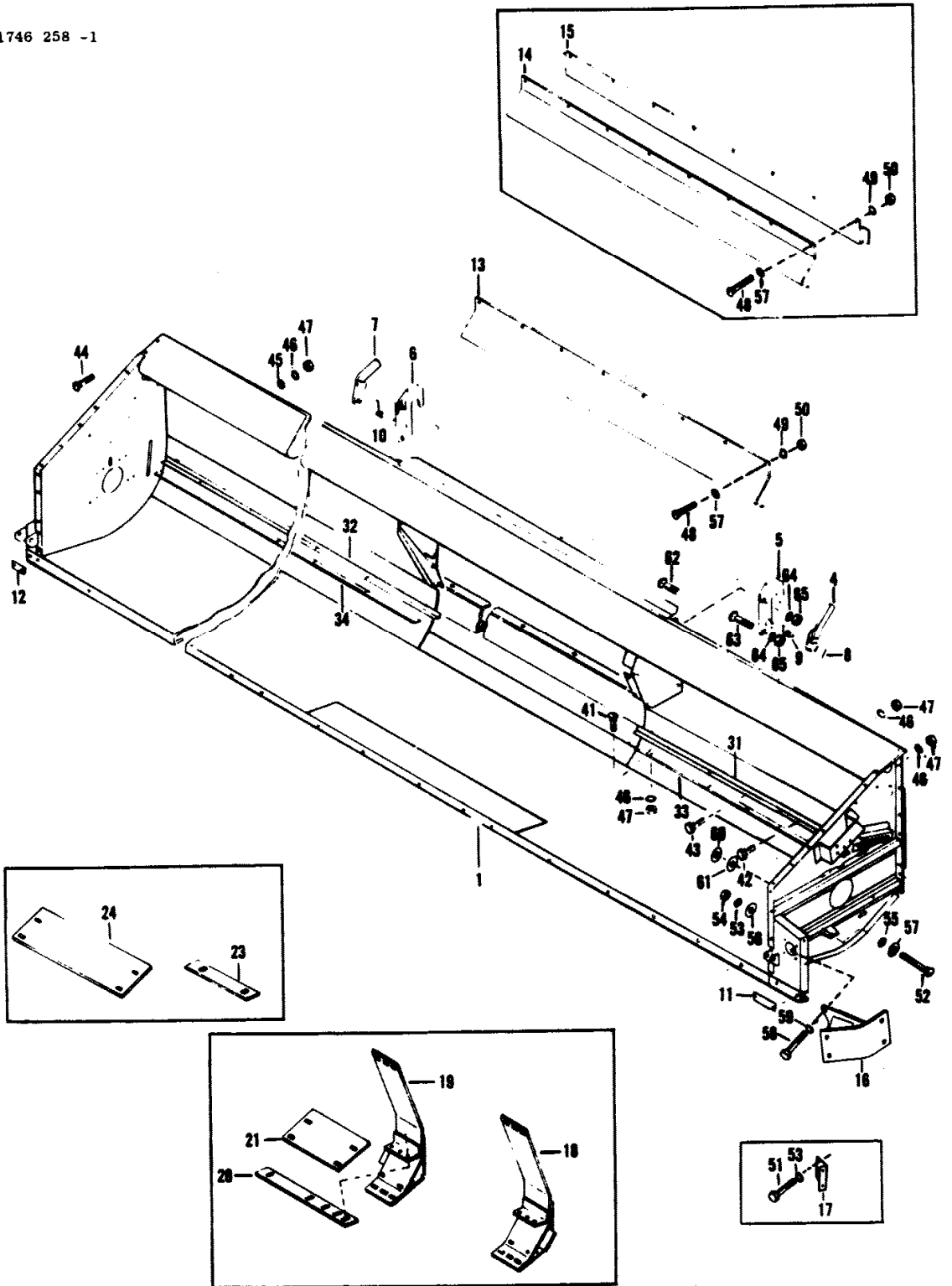
Item	Part Number	Qty	Description	Comments
47	355565X1	AR	Nut Unc	(E, F, G, H)
48	360513X1	AR	Screw	(E, F, G, H)
49	353434X1	AR	Lock Washer	3/8" (E, F, G, H)
50	355566X1	AR	Nut Unc	(E, F, G, H)
51	353701X1	AR	Screw Unc	(B, E, F, G, H)
52	364971X1	AR	Bolt Unc	(E, F, G, H)
53	353432X1	AR	Lock Washer	7/16" (B, E, F, G, H)
54	355645X1	AR	Nut Unc	(E, F, G, H)
55	353757X1	AR	Washer	7/16" (E, F, G, H)
56	361096X1	AR	Washer	15/32 X 59/64 X 1/32" (E, F, G, H)
57	049307X	AR	Washer	7/16" (E, F, G, H)
58	353725X1	AR	Bolt Unc	(A, E, F, G, H)
59	353439X1	AR	Lock Washer	1/2" (A, E, F, G, H)
60	367127X1	AR	Washer	17/32 X 7/8 X 1/16" (A, E, F, G, H)
61	368049X1	AR	Shim	.632 X 1 X .020 (A, E, F, G, H)
62	261006M1	AR	Bolt	(E, F, G, H)
63	363423X1	AR	Bolt	(E, F, G, H)
64	353433X1	AR	Lock Washer	5/8" (E, F, G, H)
65	375099X1	AR	Nut Unc	(E, F, G, H)

(A)
TABLE
From Serial or Engine Number 1859032098
(B)
TABLE
Up to Serial or Engine Number 1859032098
(C)
TABLE
From Serial or Engine Number 185900105
(D)
TABLE
Up to Serial or Engine Number 185900105
Repairs and replaces 264022M91, REF. 13
(E)
13'
(F)
14'
(G)
15'
(H)
16'

TABLE

5

1746 258 -1



1st Print

651 318 M97 (Issue 1) 11/78

TABLE

Item	Part Number	Qty	Description	Comments
1	264458M91	1	Table	(A, E)
	261672M91	1	Table	(B, E)
	264459M91	1	Table	(A, F)
	261500M91	1	Table	(B, F)
	264460M91	1	Table	(A, G)
	470142M91	1	Table	(B, G)
	264461M91	1	Table	(A, H)
	261746M91	1	Table	(B, H)
4	262013M92	1	Cam	Left Hand (E, F, G, H)
5	261516M91	1	Plate	Left Hand (E, F, G, H)
6	261517M91	1	Plate	Right Hand (E, F, G, H)
7	262012M92	1	Cam	Right Hand (E, F, G, H)
8	363307X1	2	Pin	3/16 X 1-1/8" (E, F, G, H)
9	261641M1	1	Spring	Left Hand (E, F, G, H)
10	261640M1	1	Spring	Right Hand (E, F, G, H)
11	369141X1	1	Plate	Left Hand (E, F, G, H)
12	369142X1	1	Plate	Right Hand (E, F, G, H)
13	264022M91	1	Cowl	(C, E, F, G, H)
14	261775M1	1	Shield	(D, E, F, G, H)
15	261610M1	1	Shield	(D, E, F, G, H)
16	264446M91	1	Support	(A, E, F, G, H)
17	261729M1	1	Bearer	(B, E, F, G, H)
18	272131M92	1	Plate	Left Hand (E, F, G, H)
19	272137M92	1	Plate	Right Hand (E, F, G, H)
20	272141M1	2	Plate	(E, F, G, H)
21	272142M1	2	Plate	(E, F, G, H)
23	272144M1	2	Plate	(E, F, G, H)
24	272143M1	2	Plate	(E, F, G, H)
31	261674M1	1	Anglepiece	Left Hand (E)
31	261520M1	1	Anglepiece	Left Hand (F)
31	470138M1	1	Angle	Left Hand (G)
31	261770M1	1	Angle	Left Hand (H)
32	261673M1	1	Anglepiece	Right Hand (E)
32	261518M1	1	Anglepiece	Right Hand (F)
32	470137M1	1	Angle	Right Hand (G)
32	261768M1	1	Angle	Right Hand (H)
33	261675M1	2	Plate	(E)
	261521M1	2	Strap	(F)
	470136M1	1	Strap	(G)
34	470135M1	1	Strap	(G)
33	261771M1	2	Strap	(H)
41	364352X1	AR	Bolt Unc	(E, F, G, H)
42	353677X1	AR	Screw Unc	(E, F, G, H)
43	353678X1	AR	Screw Unc	(E, F, G, H)
44	364533X1	AR	Bolt	(E, F, G, H)
45	353755X1	AR	Washer	5/16" (E, F, G, H)
46	353446X1	AR	Lock Washer	5/16" (E, F, G, H)
47	355565X1	AR	Nut Unc	(E, F, G, H)
48	360513X1	AR	Screw	(E, F, G, H)

TABLE

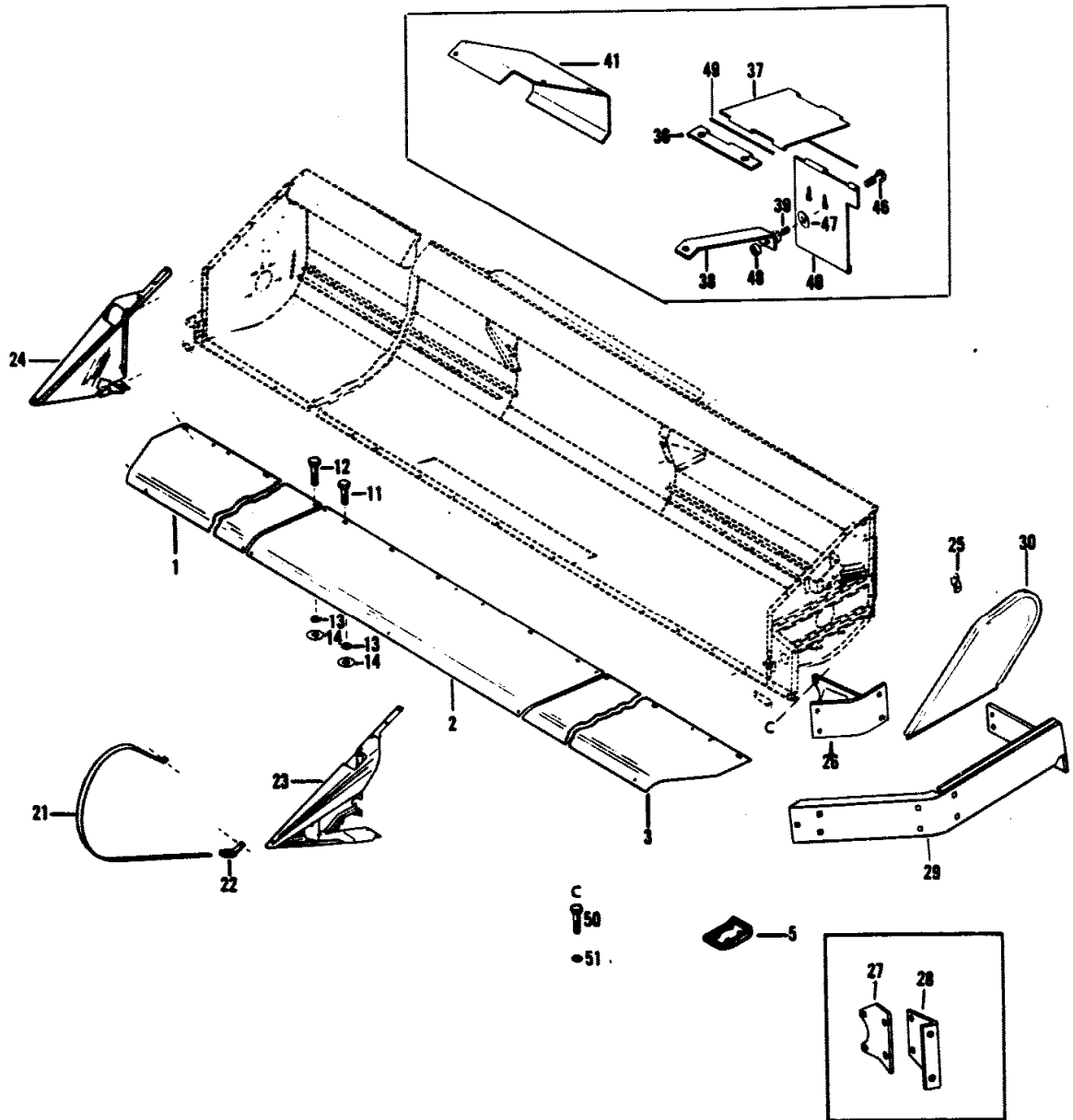
Item	Part Number	Qty	Description	Comments
49	353434X1	AR	Lock Washer	3/8" (E, F, G, H)
50	355566X1	AR	Nut Unc	(E, F, G, H)
51	353701X1	AR	Screw Unc	(B, E, F, G, H)
52	364971X1	AR	Bolt Unc	(B, E, F, G, H)
53	353432X1	AR	Lock Washer	7/16" (B, E, F, G, H)
54	355645X1	AR	Nut Unc	(E, F, G, H)
55	353757X1	AR	Washer	7/16" (E, F, G, H)
56	361096X1	AR	Washer	51/62 X 59/64 X 1/32" (B, E, F, G, H)
57	49307X	AR	Washer	7/16" (B, E, F, G, H)
58	353725X1	AR	Bolt Unc	(A, E, F, G, H)
59	353439X1	AR	Lock Washer	1/2" (A, E, F, G, H)
60	367127X1	AR	Washer	17/32 X 7/8 X .060" (A, E, F, G, H)
61	368049X1	AR	Shim	.632 X 1 X .020" (A, E, F, G, H)
62	261006M1	AR	Bolt	(E, F, G, H)
63	363423X1	AR	Bolt	(E, F, G, H)
64	353433X1	AR	Lock Washer	5/8" (E, F, G, H)
65	375099X1	AR	Nut Unc	(E, F, G, H)

(A)
TABLE
From Serial or Engine Number 1859032098
(B)
TABLE
Up to Serial or Engine Number 1859032098
(C)
TABLE
From Serial or Engine Number 185900105
(D)
TABLE
Up to Serial or Engine Number 185900105
Repairs and replaces 264022M91, REF. 13
(E)
18'
(F)
20'
(G)
20'
(H)
24'

6

TABLE PLATES, SHIELDS AND DIVIDERS

1746 002-3



1st Print

651 318 M97 (Issue 1) 11/78

TABLE PLATES, SHIELDS AND DIVIDERS

Item	Part Number	Qty	Description	Comments
1	261664M91	1	Plate	Right Hand (D)
1	264040M91	1	Plate	Right Hand (E)
1	261564M91	1	Plate	Right Hand (F)
2	261562M91	1	Plate	(D, E, F)
3	261665M91	1	Plate	Left Hand (D)
3	264038M91	1	Plate	Left Hand (E)
3	261565M91	1	Plate	Left Hand (F)
5	261568M1	5	Shoe	(C, D)
	261568M1	6	Shoe	(E)
	261568M1	7	Shoe	(F)
11	353689X1	AR	Screw Unc	(D, E, F)
12	353691X1	AR	Screw Unc	(D, E, F)
13	353434X1	AR	Lock Washer	3/8" (D, E, F)
14	353756X1	AR	Washer	3/8" (D, E, F)
21	239746M1	2	Cowl	(D, E, F)
22	236125M91	2	Bearer	(D, E, F)
23	260683M94	1	Divider	Left Hand (D, E, F)
24	260676M94	1	Divider	Right Hand (D, E, F)
25	261408M1	1	Bearer	(D, E, F)
26	264446M91	1	Support	(A, D, E, F)
27	261729M1	1	Bearer	(B, D, E, F)
28	261728M1	1	Bearer	(B, D, E, F)
29	261726M91	1	Cowl	(D, E, F)
30	261409M91	1	Cowl	(D, E, F)
36	261622M1	2	Hinge	(C, D, E, F)
37	261623M1	2	Cowl	(C, D, E, F)
38	261624M1	2	Bearer	(C, D, E, F)
39	261625M1	2	Spring	(C, D, E, F)
40	261626M1	2	Cowl	(C, D, E, F)
41	261627M1	1	Cowl	(F)
46	355156X1	AR	Screw Unc	(C, D, E, F)
47	355618X1	AR	Washer	5/16" (C, D, E, F)
48	375108X1	AR	Nut Unc	(C, D, E, F)
49	365695X1	4	Pin	1/4 X 5-3/4" (C, D, E, F)
50	353725X1	AR	Bolt Unc	(A, C, D, E, F)
	353701X1	AR	Screw Unc	(B, C, D, E, F)
51	353439X1	AR	Lock Washer	1/2" (A, C, D, E, F)
51	353432X1	AR	Lock Washer	7/16" (B, C, D, E, F)
				(A)
				TABLE
				From Serial or Engine Number 1859032098
				(B)
				TABLE
				Up to Serial or Engine Number 1859032098
				(C)
				13'
				(D)
				14'
				(E)
				15'
				(F)
				16'

Buy Now



Our support email:

ebooklibonline@outlook.com