

Page Title	Page Number
TABLE (RIGID CUTTER BAR) (13', 14' AND 15')	2
TABLE PLATES, SHIELDS AND DIVIDERS (RIGID CUTTER BA	5
TABLE PLATES, SHIELDS AND DIVIDERS (RIGID CUTTER BA	9
TABLE (RIGID CUTTER BAR) (16', 18', 20', 20' - OFFSET AND	6
TABLE (FLOATING CUTTER BAR) (15', 16', 18', - 20', & 20')	9A
DIVIDERS AND SHIELDS (FLOATING CUTTER BAR)	9E
SHIELDS, SUPPORTS, BRACKETS (FLOATING CUTTER BAR)	9H
COUNTER BALANCE, ARM, IDLER, SPRING ASSEMBLY	9J
AUGER (13', 14' AND 15')	10
AUGER (16', 18', 20', 20' AND 24')	14
KNIFE (RIGID CUTTER BAR) (13', 14' AND 15')	18
KNIFE (RIGID CUTTER BAR) (16', 18', 20', 20' 24')	21
CUTTER BAR (FLOATING CUTTER BAR) (15', 16', - 18' AND 20')	21A
LOOP DIVIDER, FLOATING DIVIDER (FLOATING CUTTER BAR	21D
WOBBLE KNIFE DRIVE	22
WOBBLE KNIFE DRIVE	25
WOBBLE KNIFE DRIVE	670
DRIVE, TABLE AND REEL (13', 14' AND 15')	26
DRIVE, TABLE AND REEL (16', 18', 20', 20' AND 24')	30
DRIVE, TABLE AND REEL (CHAIN DRIVE)	34
ELECTRIC VARIABLE SPEED PICK-UP REEL DRIVE	38
ELECTRICAL VARIABLE SPPED REEL DRIVE	41
ELECTRIC MOTOR AND WIRING	42
HYDROSTATIC REEL DRIVE HYDRAULICS	45
HYDROSTATIC REEL DRIVE HYDRAULICS	385A
HYDROSTATIC REEL DRIVE HYDRAULICS	390
HYDRAULIC MOTOR	46
REEL AND SUPPORTS (13', 14', AND 15')	49
REEL AND SUPPORTS (16', 18', 20' AND 24')	50
MF67 PICK-UP (DRUM)(FRAME, DRUM, GRAIN PAN)(10',12'	53
MF67 PICK-UP (DRUM) (WINDBAR, WHEELS) (10', 12')	54
MF67 PICK-UP (DRUM) (DRIVE, DRIVE EXTENSION, GUARDS	57
MF67 PICK-UP(DRAPER)(FRAME, ROLLER, GRAIN PAN, BELT	58
MF67 PICK-UP (DRAPER) (WINDBAR, WHEELS) (10', 12')	61
MF67 PICK-UP (DRAPER)(DRIVE, DRIVE EXTENSION, GUARD	62
MF 61 PICK-UP (7 APRON) (FRAME AND ROLLERS)	65
MF61 PICK-UP (7 APRON) (DRAPER)	66
MF 61 PICK-UP (7 APRON) (WHEEL, APRON AND WINDGUARD	69
MF61 PICK-UP(WHEELS AND LOWERING KIT, PNEUMATIC TIR	70
MF61 PICK-UP (FRAME AND ROLLERS) (6 APRON)	73
MF61 PICK-UP (6 APRON) (DRAPER)	74
MF61 PICK-UP (WHEEL, APRON AND WINDGUARD) (6 APRON)	77
MF61 PICK-UP (VARIABLE SPEED AND DIRECT DRIVE)	78
ELEVATOR DRIVE	81
ELEVATOR HOUSING REPAIR	82
ELEVATOR SHIELDS (REGULAR AND LONG ELEVATOR)	85
ELEVATOR SHAFTS AND DRIVES	86
ELEVATOR SHAFTS AND DRIVES	90
ELEVATOR TABLE TO CYLINDER	93
ELEVATOR TOP SHAFT AND DRIVE (PADDLE TO SLAT CONV)	95B
ELEVATOR, TABLE TO CYLINDER (PADDLE TO SLAT CONVER)	95C
ELEVATOR CLUTCHES (ELECTRO MAGNETIC HEADER THROW-OU	97
ELEVATOR EXTENSION (RICE TRACK)	98
CYLINDER HOUSING	101
CYLINDER HOUSING	102
CYLINDER DRIVE (SINGLE, DOUBLE SPEED)	104A
CYLINDER DRIVE (SINGLE, DOUBLE SPEED)	104B
CYLINDER DRIVE (SINGLE, DOUBLE SPEED)	106
CYLINDER DRIVE (SINGLE, DOUBLE SPEED)	110
VARIABLE SPEED DRIVE CONTROL	114
VARIABLE SPEED DRIVE CONTROL	117
CYLINDER (RASP BAR) (REGULAR)	118
EDIBLE BEAN ATTACHMENT	121
CYLINDER (SPIKE TOOTH)	122
CONCAVE (RASP BAR)	125
CONCAVE (SPIKE TOOTH)	126
CONCAVE CONTROL	129
CONCAVE CONTROL	130

TABLE OF CONTENT

CONCAVE CONTROL (ALSO USED EUROPE)	133
STONE TRAP, FEED PLATE	134
FRONT BEATER	137
REAR BEATER	138
REAR BEATER	141
SHAKERSHOE, SIDE HILL PERFORMANCE KIT	142
GRAIN PAN AND SHAKER SHAFT	145
SCREENS (SHAKER SHOE)	146
STRAW WALKERS (GRAIN, RICE)	149
STRAW WALKERS (MF EUROPE ONLY)	150
STRAW WALKERS AND RETURNS ELEVATOR DRIVE	153
RETURNS ELEVATOR	154
RETURNS ELEVATOR CARRIERS	157
RETURNS ELEVATOR SHIELDS	158
GRAIN ELEVATOR	161
GRAIN ELEVATOR DRIVE	162
GRAIN TANK	165
GRAIN TANK (EUROPE ONLY)	166
GRAIN TANK UNLOADER EXTENSION (48")	169
GRAIN TANK UNLOADER TOP	170
GRAIN TANK UNLOADER TOP	173
GRAIN TANK UNLOADER BOTTOM	174
GRAIN TANK UNLOADER BOTTOM	175B
GRAIN TANK UNLOADER BOTTOM	177
GRAIN TANK UNLOADER DRIVE	178
GRAIN TANK UNLOADER DRIVE SHIELDS	182
FANNING MILL	185
LEFT HAND DRIVE (FANNING MILL)	186
LEFT HAND DRIVE IDLERS (FANNING MILL)	189
HOOD, CURTAIN AND DEFLECTOR	190
HOOD, CURTAIN AND DEFLECTOR (EUROPE ONLY)	193
STRAW SPREADER	194
STRAW SPREADER DRIVE	197
MAIN FRAME	198
MAIN FRAME	201
FRONT AXLE AND WHEELS (RUBBER, TRACK)	202
MAIN DRIVE	205
TRACTION CLUTCH (4 SPEED TRANSMISSION)	206
TRACTION CLUTCH (4 SPEED TRANSMISSION)	210
TRACTION CLUTCH (4 SPEED TRANSMISSION)	213
TRACTION DRIVE (HYDROSTATIC TRANSMISSION)	214
TRACTION DRIVE (HYDROSTATIC TRANSMISSION)	215B
VARIABLE SPEED TRACTION DRIVE (4 SPEED TRANSMISSION)	217
VARIABLE SPEED TRACTION DRIVE (4 SPEED TRANSMISSION)	219B
LEFT FRONT SHIELDS (MUD)	221
GEAR SHIFT (CONSTANT MESH TRANSMISSION)	222
GEAR SHIFT (HYD., 4 SPEED)	225
GEAR SHIFT (HYD., 4 SPEED)	226
CONSTANT MESH TRANSMISSION(4 SPD, NORTH AMERICA ONL TRANSMISSION (4 SPEED)	229
CONSTANT MESH TRANSMISSION (HYDROSTATIC, NA ONLY)	233
TRANSMISSION (HYDROSTATIC)	237
CONSTANT MESH TRANSMISSION (4 SPEED, EUROPE ONLY)	241
CONSTANT MESH TRANSMISSION (HYDROSTATIC, EUROPE ONL	245
HYDRAULIC CONTROLS (4 SPEED AND HYDRO) (STD., HYD.)	249
HYDRAULIC CONTROLS (4 SPEED AND HYDRO) (STD., HYD.)	251B
HYDRAULIC CONTROLS (4 SPEED AND HYDRO) (STD., HYD.)	253
HYDRAULIC CONTROLS (4 SPEED AND HYDRO) (STD., HYD.)	254
HYDROSTATIC TRANSMISSION CONTROLS	257
HYDROSTATIC TRANSMISSION CONTROLS	263B
HYDROSTATIC TRANSMISSION CONTROLS	265
HYDROSTATIC PRESSURE RELEASE CONTROLS	258
HYDROSTATIC PRESSURE RELEASE CONTROLS	261
HYDROSTATIC PRESSURE RELEASE CONTROLS (EUROPE ONLY)	262
CONTROL BOX	265A
CONTROL BOX (4 SPD., HYDRO.)	266
CONTROL BOX (4 SPD., HYDRO.)	269
HYDROSTATIC PUMP DRIVE AND MOTOR	270
HYDROSTATIC PUMP DRIVE AND MOTOR (EATON PUMP & MOTO	271B
HYDROSTATIC PUMP AND MOTOR	273
.....	---

## TABLE OF CONTENT

HYDROSTATIC PUMP	2/4
HYDROSTATIC PUMP	277A
CONTROL VALVE, CHARGING PUMP (HYDRO PUMP) (EATON)	277E
PUMP DRIVE MOTOR	278
PUMP DRIVE MOTOR	279B
AUXILIARY EQUIPMENT HYDROSTATIC TRANSMISSIONS	281
AUXILIARY EQUIPMENT HYDROSTATIC TRANSMISSIONS	282
FINAL DRIVE (GRAIN AND RICE - RUBBER)	285
FINAL DRIVE (RICE - TRACKS) (LEFT/RIGHT)	289
TURNING BRAKES	289A
TURNING BRAKES	290
TURNING BRAKES	293
PARKING BRAKE CONTROLS (NORTH AMERICA AND EUROPE)	294
BRAKE CYLINDER, BRAKE ASSEMBLY	297
TRACK, FRAME AND AXLE (GRAIN, RICE)	298
TRACK, IDLER AND ROLLERS (RICE LEFT, TRACK RIGHT)	301
A FRAME, FIXED REAR AXLE, WHEELS (RICE)	302
A FRAME, FIXED REAR AXLE, WHEELS (GRAIN)	305A
A FRAME, FIXED REAR AXLE, WHEELS (GRAIN)	306
ADJUSTABLE REAR AXLE (GRAIN)	309A
ADJUSTABLE REAR AXLE (GRAIN)	310
REAR WHEEL DRIVE (AXLE, TIE ROD, WHEELS)	311B
REAR WHEEL DRIVE (ELECTRICAL WIRING)	311C
REAR WHEEL DRIVE (HYDRAULICS)	311F
REAR WHEEL DRIVE (VALVES, SOLENOID)	311G
REAR WHEEL DRIVE (AXLE KNEE, MOTOR HOUSING)	311K
REAR WHEEL DRIVE (WHEEL HUB, CYLINDER BLOCK, HOUSIN	311L
REAR WHEEL DRIVE (PLANET PINION, CARRIER, HOUSING)	311P
REAR WHEEL DRIVE (WHEEL MANIFOLD)	311Q
WALKER BODY	313
WALKER BODY EXTENSION (EUROPE ONLY)	314
OPERATOR'S PLATFORM AND LADDER	315B
OPERATOR'S PLATFORM AND LADDER	317
SEAT (CLOTH AND VINYL)	318
SEAT (VINYL)	321
ENGINE COVER	322
ENGINE COVER	325
ENGINE COVER EXTENSION AND CYCLONE AIR INTAKE	325A
ENGINE COVER EXTENSION AND CYCLONE AIR INTAKE	326
ENGINE COVER EXTENSION	329
ENGINE COVER EXTENSION	330
AIR INTAKE	333
STEERING PEDESTAL	333A
STEERING PEDESTAL	334
STEERING PEDESTAL	337
STEERING PEDESTAL	338
GREASE HARNESS	339B
GREASE HARNESS	341
GREASE HARNESS	342
INSTRUMENTS AND SWITCHES	343C
INSTRUMENTS	345
MONITOR SYSTEM (WITH CAB)	345A
MONITOR SYSTEM - EUROPE ONLY (W/O CAB)	345E
ELECTRICAL WIRING (GAS)	346
ELECTRICAL WIRING (A6-372 DIESEL)	347B
ELECTRICAL WIRING (A6-372 DIESEL)	347C
ELECTRICAL WIRING (A6-372 DIESEL)	349
ELECTRICAL WIRING (AT6-354 DIESEL)	349A
ELECTRICAL WIRING (AT6-354 DIESEL)	349D
ELECTRICAL WIRING (AT6-354 DIESEL)	350
ELECTRICAL WIRING (INSTRUMENT PANEL)	353
LIGHTING	353D
LIGHTING	354
LIGHTS, RAILS	357
LIGHTS	358
ROAD LIGHTS (EUROPE ONLY)	359C
ROAD LIGHTS (EUROPE ONLY)	361
ELECTRICAL WIRING (ROAD LIGHTS) (EUROPE ONLY)	362
LIGHTS (EUROPE ONLY)	365
HOURMETER, WARNING HORN	366

## TABLE OF CONTENT

TOOL BOX, FUEL TANK AND LINES	369
TOOL BOX, FUEL TANK AND LINES (GAS)	370
TOOL BOX, FUEL TANK AND LINES (DIESEL)	371B
TOOL BOX, FUEL TANK AND LINES (DIESEL)	373
TOOL BOX, FUEL TANK AND LINES (DIESEL)	374
TOOL BOX, FUEL TANK AND LINES (DIESEL)	377
THROTTLE CONTROL, FUEL SHUT-OFF (GAS)	378
THROTTLE CONTROL, FUEL SHUT-OFF	379B
THROTTLE CONTROL, FUEL SHUT-OFF (DIESEL)	381
REEL LIFT HYDRAULICS	382
REEL LIFT HYDRAULICS	385
HYDROSTATIC VARIABLE SPEED REEL DRIVE	386
HYDROSTATIC VARIABLE SPEED REEL DRIVE	389
HYDRAULIC CONTROL REEL FORE AND AFT	391B
TABLE LIFT HYDRAULICS (GRAIN, RICE)	391C
TABLE LIFT HYDRAULICS (GRAIN, RICE)	393
TANK UNLOADER HYDRAULICS	394
TANK UNLOADER HYDRAULICS	397
TANK UNLOADER HYDRAULICS	398
TANK UNLOADER HYDRAULICS	401
VARIABLE SPEED HYDRAULICS (4 SPEED)	402
VARIABLE SPEED HYDRAULICS (4 SPEED)	405
HYDRAULIC PRESSURE AND RETURN LINES	405A
HYDRAULIC PRESSURE AND RETURN LINES	406
HYDRAULIC PRESSURE AND RETURN LINES	409
HYDRAULIC PRESSURE AND RETURN LINES	410
HYDRAULIC PRESSURE AND RETURN LINES	413
STEERING HYDRAULICS	413A
STEERING HYDRAULICS	414
STEERING HYDRAULICS	417
STEERING HYDRAULICS	418
HYDRAULIC TANK (WITH HYD., LESS HYD.)	421
HYDRAULIC PUMP DRIVE AND ENGINE SUPPORTS	422
HYDRAULIC OIL PUMP	425
MAIN CONTROL VALVE	426
HYDRAULIC CONTROL VALVE (4 SPEED AND HYDROSTATIC)	429
HYDRAULIC CONTROL VALVE (4 SPEED)	430
HYDRAULIC CONTROL VALVE (HYDROSTATIC DRIVE)	433
TANK UNLOADER SWING CONTROLS	433A
TANK UNLOADER SWING CONTROLS	434
UNLOADER SPOUT CONTROLS	437
UNLOADER SPOUT CONTROLS	438
HYDRAULIC CYLINDERS (SEE NOTE "G")	441
HYDRAULIC CYLINDERS	442
HYDRAULIC CYLINDERS	445
STEERING CONTROL UNIT (GRAIN)	445A
HYDROSTATIC STEERING PUMP	446
HYDROSTATIC STEERING PUMP AND CYLINDER	449
HYDRAULIC OIL FILTER AND CONTROL VALVE	450
TABLE HEIGHT CONTROL (FLOATING CUTTER BAR)	451B
TABLE HEIGHT CONTROL (FLOATING CUTTER BAR)	455B
TABLE HEIGHT CONTROL (RIGID CUTTER BAR)	451C
TABLE HEIGHT CONTROL (RIGID CUTTER BAR)	453
TABLE HEIGHT CONTROL (RIGID CUTTER BAR)	455C
TABLE HEIGHT CONTROL (RIGID CUTTER BAR)	457
TABLE HEIGHT CONTROLS	454
TABLE HEIGHT CONTROLS	458
TABLE HEIGHT HYDRAULICS	461
ADAPTING PARTS FOR CORN HEAD (DRIVE)	462
REAR MOTOR HOUSING	465
BELTS (LEFT SIDE)	466
CHAINS	470
CHAINS	473
CHAINS	477
CONVEYOR CHAINS	478
CHAINS (ELEVATOR EXTENSION)	481
EMBLEMS AND LABELS (NORTH AMERICA)	481A
EMBLEMS AND LABELS (NORTH AMERICA)	482
EMBLEMS AND LABELS (FRENCH CANADIAN)	483B

## TABLE OF CONTENT

EMBLEMS AND LABELS (FRENCH CANADIAN)	483C
EMBLEMS AND LABELS	483F
ALTERNATOR	485
ALTERNATOR	589
ALTERNATOR	590
ALTERNATOR (GAS)	486
STARTER (GAS)	489
STARTER (GAS)	490
SOLENOID	493
ENGINE ASSEMBLY, CYLINDER BLOCK (GAS)	494
CRANKSHAFT, FLYWHEEL (GAS)	497
PISTONS, RINGS, CONNECTING RODS (GAS)	498
CYLINDER HEAD, CAMSHAFT (GAS)	501
OIL PUMP, OIL PAN (GAS)	502
GASKETS (GAS)	505
WATER PUMP	506
RADIATOR, FAN, DRIVE (GAS)	509
MANIFOLD, EXHAUST (GAS)	510
AIR CLEANER (GAS)	513
ELECTRIC FUEL PUMP (GAS)	514
DISTRIBUTOR (GAS)	517
CARBURETOR (GAS)	518
GOVERNOR	521
CYLINDER BLOCK (A6-372 DIESEL)	521A
CYLINDER BLOCK (A6-372 DIESEL)	522
FUEL FILTERS AND LINES (A6-372 DIESEL)	521AA
PISTON RINGS AND RODS (A6-372 DIESEL)	521D
CRANKSHAFT AND FLYWHEEL (A6-372 DIESEL)	521E
CRANKSHAFT AND FLYWHEEL (A6-372 DIESEL)	526
CAMSHAFT AND TIMING GEAR (A6-372 DIESEL)	521H
CYLINDER HEAD (A6-372 DIESEL)	521J
CYLINDER HEAD (A6-372 DIESEL)	530
CYLINDER HEAD COVER (A6-372 DIESEL)	521M
CYLINDER HEAD COVER (A6-372 DIESEL)	533
OIL PAN, PUMP AND FILTER (A6-372 DIESEL)	521N
OIL PAN, PUMP AND FILTER (A6-372 DIESEL)	534
GASKET SETS (A6-372 DIESEL)	521R
GASKET SETS (A6-372 DIESEL)	537
WATER PUMP (A6-372 DIESEL)	521S
WATER PUMP (A6-372 DIESEL)	538
MANIFOLDS (A6-372 DIESEL)	521V
MANIFOLDS (A6-372 DIESEL)	541
INJECTION SYSTEM (A6-372 DIESEL)	521W
INJECTION SYSTEM (A6-372 DIESEL)	542
FUEL INJECTION PUMP (A6-372 DIESEL)	521Z
FUEL INJECTION PUMP (A6-372 DIESEL)	545
PISTONS, RINGS AND RODS (A6-372 DIESEL)	525
TIMING GEAR (A6-372 DIESEL)	529
FUEL FILTER AND FUEL PUMP (A6-372 DIESEL)	546
CYLINDER BLOCK (AT6-354 DIESEL)	547B
CYLINDER BLOCK (AT6-354 DIESEL)	549
INJECTION PUMP AND INJECTOR (AT6-354 DIESEL)	547BB
CRANKSHAFT, FLYWHEEL, INSERTS (AT6-354-DIESEL)	547C
TURBOCHARGER (AT6-354 DIESEL)	547CC
PISTONS, RINGS AND RODS (AT6-354-DIESEL)	547F
FUEL FILTERS AND LINES (AT6-354 DIESEL)	547FF
CYLINDER HEAD (AT6-354-DIESEL)547GG LIFT PUMP	547G
LIFT PUMP AND FUEL FILTER (AT6-354 DIESEL)	547GG
CYLINDER HEAD COVER (AT6-354 DIESEL)	547K
CYLINDER HEAD COVER (AT6-354 DIESEL)	558
TIMING GEAR AND CAMSHAFT (AT6-354 DIESEL)	547L
OIL PAN OIL PUMP (AT6-354 DIESEL)	547P
OIL COOLER AND FILTER	547Q
GASKET SETS (AT6-354 DIESEL)	547T
WATER PUMP AND ATTACHING PARTS (AT6-354 DIESEL)	547U
MANIFOLDS (AT6-354 DIESEL) (NOT ILLUSTRATED)	547W
INJECTION SYSTEMS (AT6-354 DIESEL)	547Y
PISTONS, RINGS AND RODS (AT6-354 DIESEL)	550
CRANKSHAFT AND FLYWHEEL (AT6-354 DIESEL)	553
TIMING GEARS (AT6-354 DIESEL)	554

## TABLE OF CONTENT

-----,	---
CYLINDER HEAD (AT6-354 DIESEL)	557
OIL PAN, PUMP AND FILTER (AT6-354 DIESEL)	561
GASKET SET (AT6-354 DIESEL)	562
WATER PUMP (AT6-354 DIESEL)	565
MANIFOLDS (AT6-354 DIESEL)	566
INJECTION SYSTEM (AT6-354 DIESEL)	569
FUEL INJECTION PUMP (AT6-354 DIESEL)	570
FUEL FILTER AND FUEL PUMP (AT6-354 DIESEL)	573
AIR INTAKE AND EXHAUST (A6-372 DIESEL)	573D
AIR INTAKE AND EXHAUST (A6-372 DIESEL)	574
AIR INTAKE AND EXHAUST (AT6-354 DIESEL)	575C
AIR INTAKE AND EXHAUST	577
RADIATOR, FAN, DRIVE, (A6-372 DIESEL)	577D
SCREENS (RADIATOR, FAN, DRIVE) (UNITED KINGDOM)	577H
RADIATOR, FAN, DRIVE (A6-372 DIESEL)	578
RADIATOR, FAN, DRIVE (A6-372 DIESEL)	581
RADIATOR, FAN, DRIVE (AT6-354 DIESEL)	581A
RADIATOR, FAN, DRIVE (AT6-354 DIESEL)	582
RADIATOR, FAN, DRIVE (AT6-354 DIESEL)	585
PRE-CLEANER, PRE-SCREENER (EXTREME DUSTY CONDITIONS)	586
STARTER (DIESEL)	591B
STARTER (DIESEL)	593
SOLENOID (USED COMBINE S/N 169615716 AND UP)	591C
SOLENOID (DIESEL)	594
ELECTRIC ETHER STARTING KIT	597
COLD WEATHER START KIT	598
STRAW CHOPPER DRIVE ASSEMBLY	599B
DRIVE ASSEMBLY - STRAW CHOPPER	601
DRIVE ASSEMBLY	603B
STRAW CHOPPER - DRIVE ASSEMBLY (EUROPE)	603F
DRIVE ASSEMBLY (EUROPE ONLY)	603K
DRIVE ASSEMBLY (EUROPE ONLY)	603L
REAR DRIVE SHIELDS - STRAW CHOPPER	605
CHOPPER ALARM SYSTEM	606
HOUSING, ADAPTER AND ROTOR - STRAW CHOPPER	607B
HOUSING, ADAPTER AND ROTOR (STRAW CHOPPER)	607C
HOUSING, ADAPTER AND ROTOR (EUROPE ONLY)	607F
STRAW CHOPPER - HOUSING, ADAPTER AND ROTOR	607G
STRAW CHOPPER - CORN KIT (W/SLOW DOWN)	607K
CAB (SHEET METAL, WINDOWS)	607L
CAB (SHEET METAL, WINDOWS)	609
CAB (SEALING AND TRIM)	609A
CAB (SEALING AND TRIM)	610
CAB (SEALING STRIPS)	613
COMPRESSOR	613A
COMPRESSOR	614
COMPRESSOR, EVAPORATOR, CONDENSOR	617
COMPRESSOR, EVAPORATOR, CONDENSOR	618
AIR CONDITIONING LINES	619B
AIR CONDITIONING LINES	619C
AIR CONDITIONING LINES	621
AIR CONDITIONING LINES	622
AIR CONDITIONING LINES	623B
CAB ELECTRICAL WIRING	625
CAB ELECTRICAL WIRING	625A
CAB ELECTRICAL WIRING	625D
CAB ELECTRICAL WIRING	626
CAB ELECTRICAL WIRING	629
PRESSURIZER	629A
PRESSURIZER	630
HEATER	633
WINDSHIELD WIPER (EUROPE ONLY)	633D
WINDSHIELDS WIPER (EUROPE ONLY)	634
PICK-UP REEL (GRAIN - 6" SPACING - 5 BAT)	635D
PICK-UP REEL (GRAIN - 6" SPACING - 6 BAT)	635E
PICK-UP REEL (GRAIN - 4" SPACING - 6 BAT)	635H
PICK-UP REEL (GRAIN AND RICE)	638
PICK-UP REEL (GRAIN)	642
PICK-UP REEL (GRAIN)	650

TABLE OF CONTENT

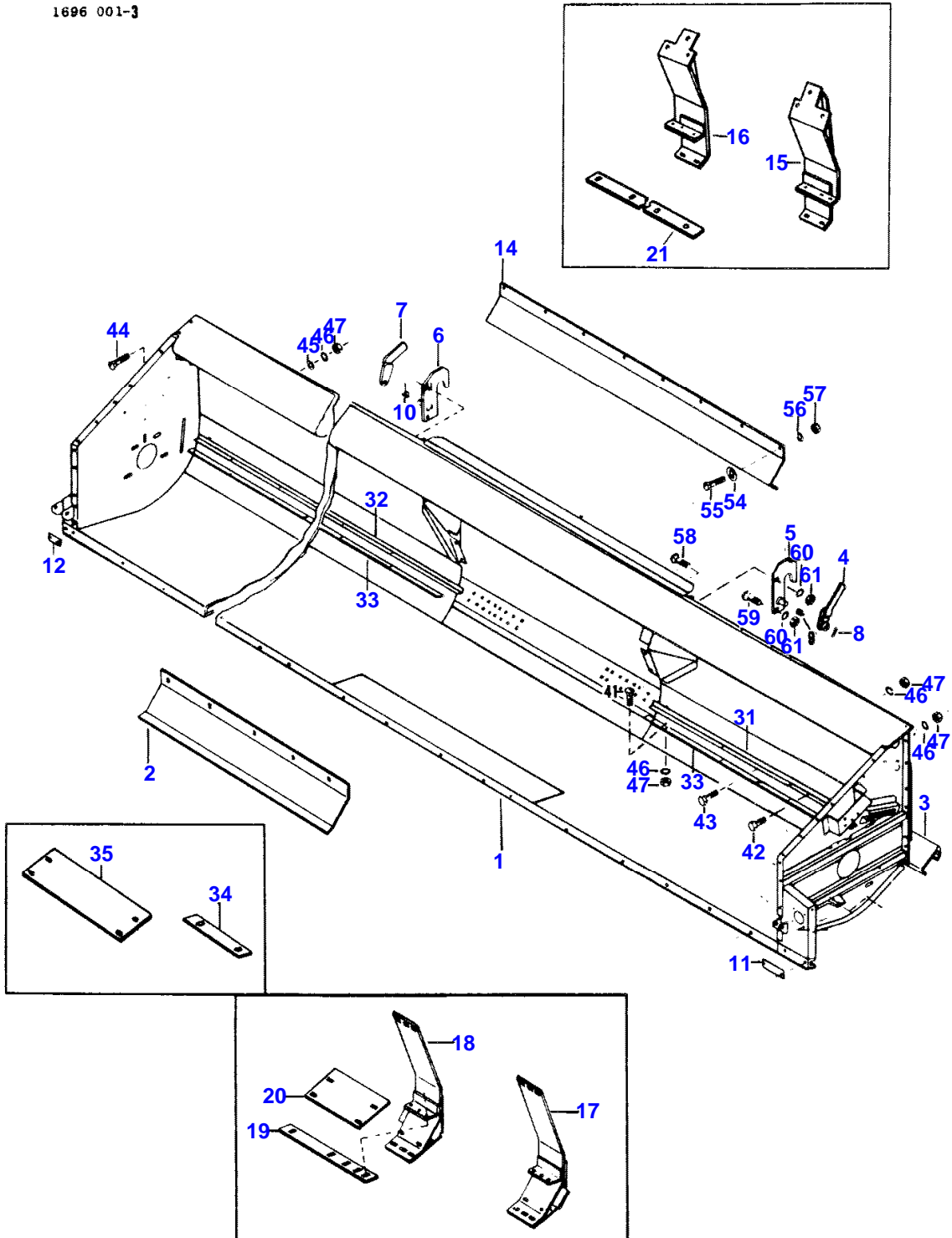
PICK-UP REEL (RICE)	646
PICK-UP REEL (RICE)	658
PICK-UP REEL (GRAIN) (EXPORT ONLY)	654
CLUTCH (COMBINE PICK-UP REEL)	662
DRAPER TABLE	665
AUGER (DRAPER TABLE)	669
DRIVES, KNIFE AND AUGER (DRAPER TABLE)	673
DRAPER AND DRIVE	674
REEL ARMS DIVIDERS AND SHIELDS (DRAPER TABLE) (L, R	677
PICK-UP REEL (DRAPER TABLE) (1040 629, 1040 631)	678
CLUTCH - PICK-UP REEL (DRAPER TABLE)	681
REEL DRIVE HYDRAULICS (DRAPER TABLE)	682
REEL LIFT, HYDRAULICS (DRAPER TABLE)	685
CONTROL VALVE (HEADER HEIGHTS)	686
CONTROL VALVE - HEADER HEIGHT, REEL FORE AND AFT	689
CONTROL VALVE (EUROPE ONLY)	690

750 COMBINE (PRIOR TO 1696 19596)

2

TABLE

1696 001-3



1st Print

651 331 M95 (Issue 1) 12/77



Item	Part Number	Qty	Description
1	264450M91	1	(A) Table Assembly (Included Items 2 And 3) (13')
	261571M91	1	(B) Table Assembly (13')
2	261580M1	1	Extension, Bottom (Centered Table) (13')
3	261581M1	1	Support (13')
1	264453M91	1	(A) Table Assembly (14')
	264042M91	1	(B) Table Assembly (14')
	264454M91	1	(A) Table Assembly (15')
	264042M91	1	(B) Table Assembly (14')
4	262013M92	1	Cam Assembly, Left
5	261516M91	1	Hanger Assembly, Left
6	261517M91	1	Hanger Assembly, Right
7	262012M92	1	Cam Assembly, Right
8	363307X1	2	Pin (3/16 x 1-1/8" Groove)
9	261641M1	1	Spring, Left
10	261640M1	1	Spring, Right
11	369141X1	1	Strap (2-Hole)
12	369142X1	1	Strap (2 Hole)
14	264022M91	1	Shield Assembly
15	281984M91	1	(C) Filler Plate (Left)
16	281983M91	1	(C) Plate Assembly, Filler (Right)
17	272131M92	1	Filler Plate (Left)(4-3/16")
18	272137M92	1	Filler Plate (Right)(4-3/16")
19	272141M1	2	Strap (12-3/16" Long - 5 Holes)
20	272142M1	2	Plate (10" Long - 4 Holes)(W/Filler Plates)
21	282020M1	2	(C) Strap, Cut-Off
31	261573M1	1	Angle, Left (49-7/16") (13')
	261694M1	1	Angle (Left) (14')
	264057M1	1	Angle, Left (61-7/16") (15')
32	261572M1	1	Angle, Right (49-7/16") (13')
	261696M1	1	Angle (Right) (14')
	264059M1	1	Angle, Right (61-7/16") (15')
33	261574M1	2	Strap, Support (41-7/16" Long)(4 Holes) (13')
	261695M1	2	Strap (14')
	264058M1	2	Strap(53-7/16" Long) (15')
34	272144M1	2	Strip (8" Long - 2 Holes)(W/O Filler Plates)
35	272143M1	2	Plate (14-3/16" Long - 4 Holes) (W/O Filler Plates)
41	364352X1	AR	Bolt (5/16 x 3/4" NC, Carr.)
42	353677X1	AR	Bolt (5/16 x 3/4" NC, Hex.)
43	353678X1	AR	Bolt (5/16 x 7/8" NC, Hex.)
44	364533X1	AR	Bolt (5/16 x 1-1/4" NC, Carr.)
45	353755X1	AR	Washer (11/32 x 11/16 x 5/64" Flat)
46	353446X1	AR	Washer (5/16" Lock)
47	355565X1	AR	Nut (5/16" NC, Hex.)
54	49307X	AR	Washer (7/16" Sq. Hole Flat)
55	360513X1	AR	Bolt (3/8 x 3/4" NC. Carr.)
56	353434X1	AR	Washer (3/8" Lock)
57	355566X1	AR	Nut (3/8" NC, Hex.)
58	261006M1	AR	Bolt (3/8 x 2" NC, Special)
59	363423X1	AR	Bolt (5/8 x 2" NC, Carr.)
60	353433X1	AR	Washer (5/8" Lock)
61	375099X1	AR	Nut (5/8" NC, Hex.)

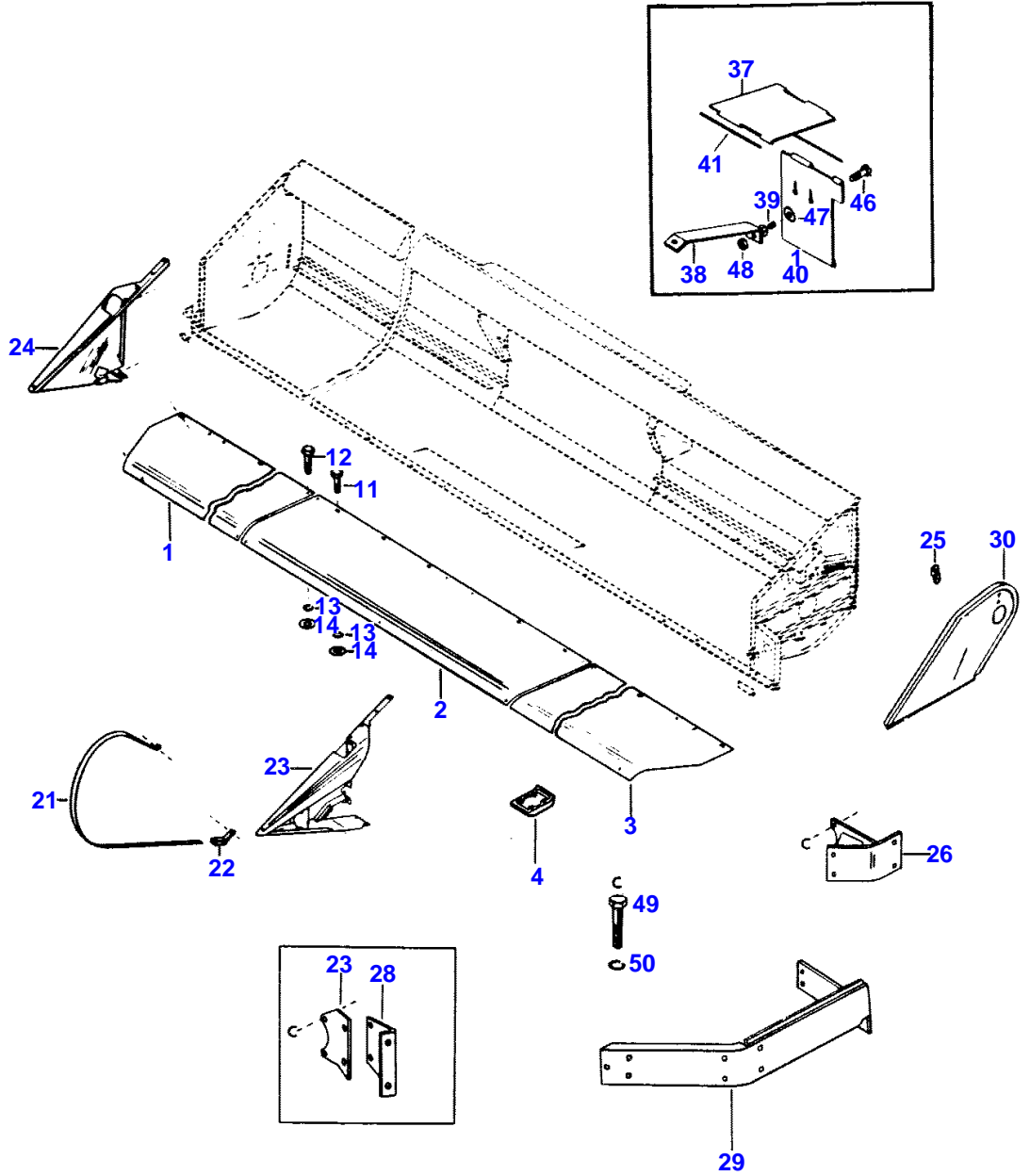
\*\*\*\*\*

(A) - Used Table Serial Number  
1859032098 And Up.

(B) - Used Prior To Table Serial Number  
1859032098.

(C) - Europe Only.

1696 002-3



1st Print

651 331 M95 (Issue 1) 12/77

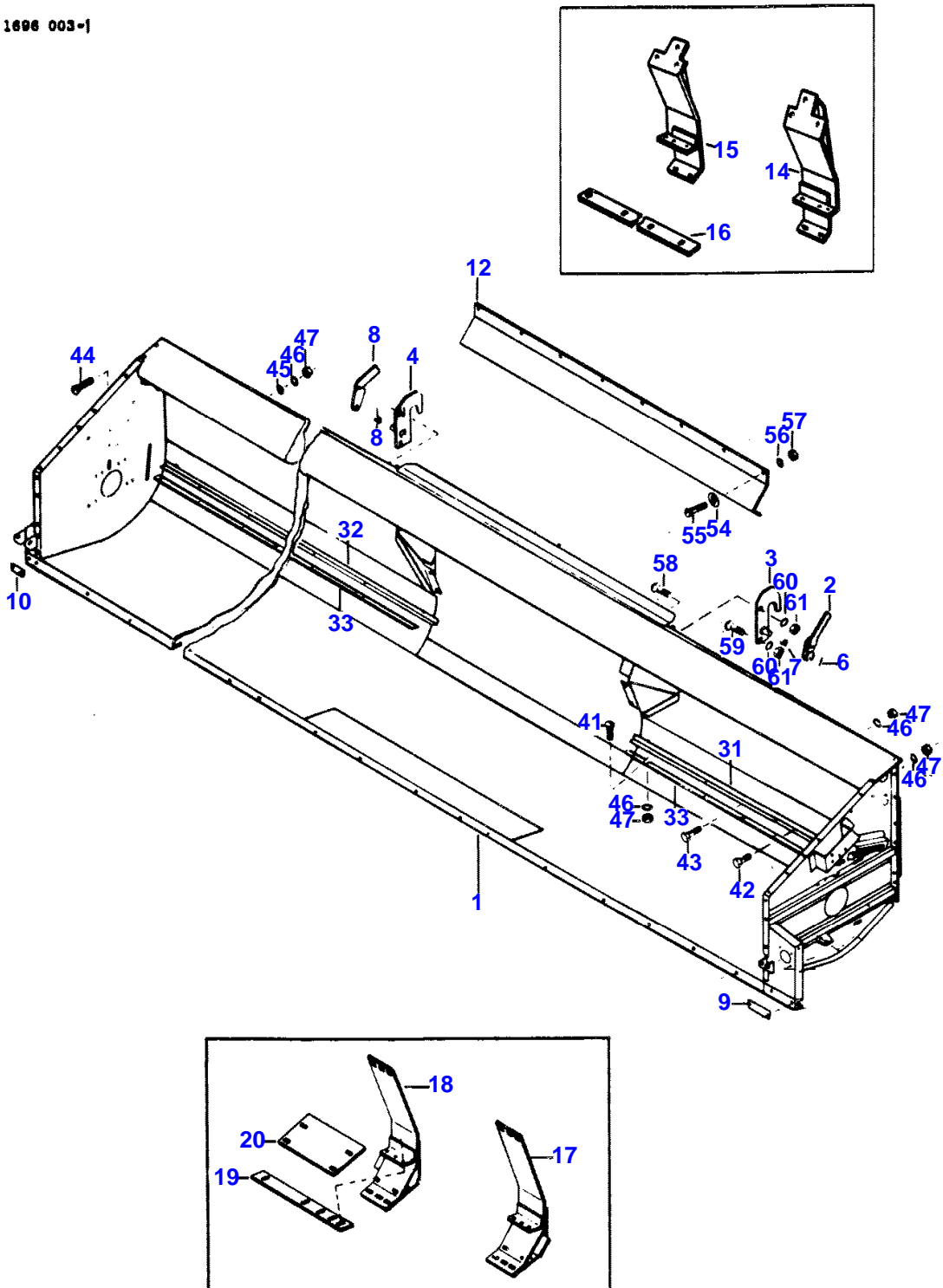
Item	Part Number	Qty	Description
			(PICK UP 13') (13', 14' AND 15')
			*****
1	261596M91	1	Plate Assembly, Table Bottom (Right) (13' And 15')
	261664M91	1	Plate Assembly, Right (14')
	264038M91	1	Plate Assembly, Left (15')
2	261562M91	1	Plate Assembly, Center (14', 15')
3	264029M91	1	Plate Assembly, Left (13')
	261665M91	1	Plate Assembly, Left (14')
	264040M91	1	Plate Assembly, Right (15')
4	261568M1	5	Shoe (13', 14')
	261568M1	6	Shoe (15')
11	353689X1	AR	Bolt (3/8 x 3/4" NC, Hex.) (13', 14' And 15')
12	353691X1	AR	Bolt (3/8 x 1" NC, Hex.) (13', 14' And 15')
13	353434X1	AR	Washer (3/8" Lock) (13', 14' And 15')
14	353756X1	AR	Washer (13/32 x 13/16 x 1/16" Flat) (13', 14' And 15')
21	239746M1	2	Guard (13', 14' And 15')
22	236125M91	2	Bracket Assembly (13', 14' And 15')
23	260683M94	1	Divider Assembly (Left) (13', 14' And 15')
24	260676M94	1	Divider Assembly (Right) (13', 14' And 15')
25	261408M1	1	Bracket, Lift Arm (13', 14' And 15')
26	264446M91	1	(A) Bracket Assembly (13', 14' And 15')
27	261729M1	1	(B) Bracket, Divider (13', 14' And 15')
28	261728M1	1	Bracket, Divider (13', 14' And 15')
29	261726M91	1	Shield Assembly (13', 14' And 15')
30	261409M91	1	Shield Assembly (13', 14' And 15')
37	261623M1	2	Shield, Right
38	261624M1	2	Support
39	261625M1	2	Spring
40	261626M1	2	Shield, Right
41	365695X1	4	Pin (1/4 x 5-3/4" Headless)
46	355156X1	AR	Bolt (5/16 x 1-1/2" NC, Sltd. Truss Hd.)
47	368371X1	AR	Washer (11/32 x 1-1/4 x 1/8")
48	375108X1	AR	Nut (5/16" NC, Half Hex.)
49	353725X1	AR	(A) Bolt (1/2 x 1-3/4" NC, Hex.) (13', 14' And 15')
	353701X1	AR	(B) Bolt (7/16 x 1-3/8" NC, Hex.) (13', 14' And 15')
50	353439X1	AR	(A) Washer (1/2" Lock) (Pick Up 13', 13' 14' And 15')
	353432X1	AR	(B) Washer (7/16" Lock) (13', 14' And

15')  
 \*\*\*\*\*  
 (A) - Used Table Serial Number  
 1859032098 And Up.  
 (B) - Used Prior To Serial Number  
 1859032098.

6

TABLE

1886 003-1



1st Print

651 331 M95 (Issue 1) 12/77

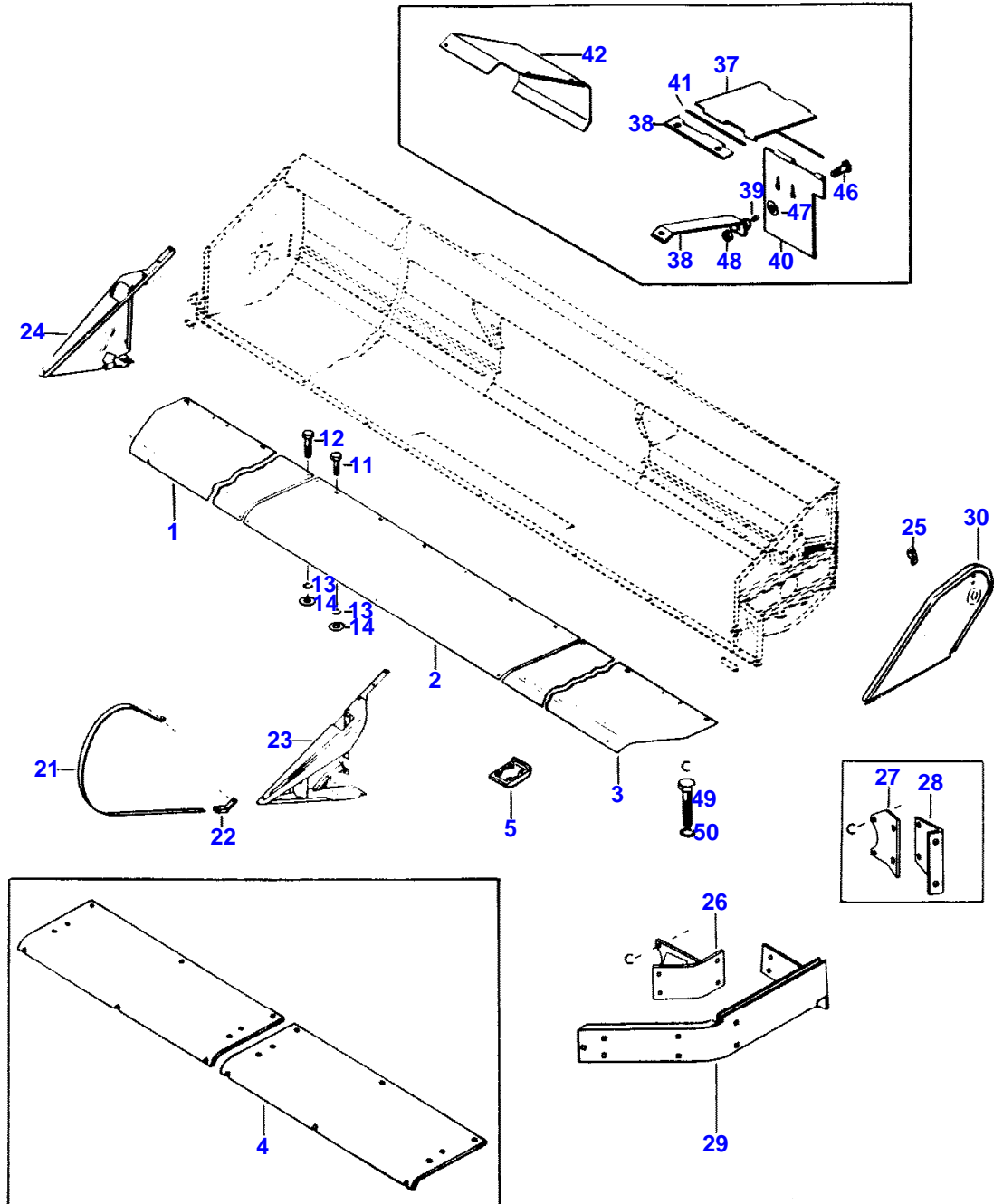
Item	Part Number	Qty	Description
			24')
1	264456M91	1	(A) Table Assembly (16')
	261487M91	1	(B) Table Assembly (16')
	264458M91	1	(A) Table Assembly (18')
	261672M91	1	(B) Table Assembly (18')
	264459M91	1	(A) Table Assembly (20')
	261500M91	1	(B) Table Assembly (20')
	264460M91	1	(A) Table Assembly (20' Offset)
	470142M91	1	(B) Table Assembly (20' Offset)
	264461M91	1	(A) Table Assembly (24')
	261746M91	1	(B) Table Assembly (24')
2	262013M92	1	Cam Assembly, Left
3	261516M91	1	Hanger Assembly, Left
4	261517M91	1	Hanger Assembly, Right
5	262012M92	1	Cam Assembly, Right
6	363307X1	2	Pin (3/16 x 1-1/8" Groove)
7	261641M1	1	Spring, Left
8	261640M1	1	Spring, Right
9	369141X1	1	Strap (2-Hole)
10	369142X1	1	Strap (2 Hole)
12	264022M91	1	Shield Assembly
14	281984M91	1	(C) Filler Plate (Left)
15	281983M91	1	(C) Plate Assembly, Filler (Right)
16	282020M1	2	(C) Strap, Cut-Off
17	272131M92	1	Filler Plate (Left)(4-3/16")
18	272137M92	1	Filler Plate (Right)(4-3/16")
19	272141M1	2	Strap (12-3/16" Long - 5 Holes)
20	272142M1	2	Plate (10" Long - 4 Holes)(W/Filler Plates)
31	261534M1	1	Angle, Left (67-7/16") (16')
	261674M1	1	Angle, Left (79-7/16") (18')
	261520M1	1	Angle, Left (91-7/16") (20')
	470138M1	1	Angle (Offset)(72-7/16") (20')
	261770M1	1	Angle, Left (24')
32	261535M1	1	Angle, Right (67-7/16") (16')
	261673M1	1	Angle, Right (79-7/16") (18')
	261518M1	1	Angle, Right (91-7/16") (20')
	470137M1	1	Angle, (Offset) (20')
	261768M1	1	Angle, Right (24')
33	261488M1	2	Strap, Support (59-7/16") (16')
	261675M1	2	Strap, Support (71-7/16") (18')
	261521M1	2	Strap (83-7/16") (20')
	470135M1	1	Strap, Right (Offset) (20')
	470136M1	1	Strap (Offset)(64-7/16") (20')
	261771M1	2	Strap, Table (24')
41	364352X1	AR	Bolt (5/16 x 3/4" NC, Carr.)
42	353677X1	AR	Bolt (5/16 x 3/4" NC, Hex.)
43	353678X1	AR	Bolt (5/16 x 7/8" NC, Hex.)
44	364533X1	AR	Bolt (5/16 x 1-1/4" NC, Carr.)
45	353755X1	AR	Washer (11/32 x 11/16 x 5/64" Flat)
46	353446X1	AR	Washer (5/16" Lock)
47	355565X1	AR	Nut (5/16" NC, Hex.)
54	49307X	AR	Washer (7/16" Sq. Hole Flat)
55	360513X1	AR	Bolt (3/8 x 3/4" NC, Carr.)
56	353434X1	AR	Washer (3/8" Lock)
57	355566X1	AR	Nut (3/8" NC, Hex.)
58	261006M1	AR	Bolt (3/8 x 2" NC, Special)
59	363423X1	AR	Bolt (5/8 x 2" NC, Carr.)
60	353433X1	AR	Washer (5/8" Lock)
61	375099X1	AR	Nut (5/8" NC, Hex.)

\*\*\*\*\*

(A) - Used Table Serial Number  
1859032098 And Up.  
(B) - Used Prior To Table Serial Number  
1859032098.  
(C) - Europe Only.

TABLE

1696 004-2



1st Print

651 331 M95 (Issue 1) 12/77

**Buy Now**



Our support email:

[ebooklibonline@outlook.com](mailto:ebooklibonline@outlook.com)