

Page Title	Page Number
TABLE - 1859 SERIES	2
TABLE BOTTOM PLATES, SHIELDS AND DIVIDERS - 1859 SERIES	5
TABLE - 2381 SERIES	6
TABLE DIVIDERS AND SHIELDS - 2381 SERIES	9
TABLE - 1859 SERIES	10
CUTTER BAR - FLOATING	13
DIVIDERS AND SHIELDS - FLOATING CUTTER BAR	14
SHIELDS, SUPPORTS, BRACKETS - FLOATING CUTTER BAR	17
FLOATING DIVIDERS - FLOATING CUTTER BAR	18
COUNTER BALANCE, IDLER, SPRING ASSEMBLY	21
COUNTER BALANCE AND IDLERS	22
SPRING AND LOOP ASSEMBLY - 22' FLOATING CUTTER BAR	25
AUGER - 1859 SERIES	26
AUGER - 2381 SERIES	30
KNIFE - 1859 SERIES	33
KNIFE - 2381 SERIES	34
KNIFE - FLOATING CUTTER BAR	37
WOBBLE KNIFE DRIVE - ALL TABLES	38
TABLE DRIVE - 13, 15 AND 16 TABLE	41
TABLE DRIVE - 18' AND 20' TABLE	45
REEL DRIVE-HYDRAULIC ADJUSTING - BELT	49
REEL DRIVE-HYDRAULIC ADJUSTING - CHAIN	50
REEL DRIVE-HYDRAULIC ADJUSTING - ELECTRIC VARIABLE SPEED	53
ELECTRIC VARIABLE SPEED REEL DRIVE - 1859 SERIES	54
ELECTRIC MOTOR AND WIRING	57
SINGLE MOTOR HYDROSTATIC REEL DRIVE - 1859 SERIES	58
2 MOTOR HYDROSTATIC REEL DRIVE - 1859 SERIES	61
HYDRAULIC MOTOR - 1859 SERIES	62
REEL AND SUPPORTS - 1859 SERIES	65
PICK-UP REEL - GRAIN - 6 SPACING - 5 BAT	66
PICK-UP REEL - GRAIN - 6 SPACING - 6 BAT	69
PICK-UP REEL - RICE - 4 SPACING - 6 BAT	70
PICK-UP REEL - GRAIN - 6 SPACING 5 AND 6 BAT	73
SLIP CLUTCH - VARIABLE SPEED CHAIN DRIVE	74
REEL LIFT - 1859 SERIES	77
REEL LIFT CYLINDERS - 1859 SERIES	78
TABLE DRIVE - 2381 SERIES	81
HYDROSTATIC REEL DRIVE, RIGHT SIDE - 2381 SERIES	82
HYDROSTATIC REEL DRIVE, LEFT SIDE - 2381 SERIES	85
HYDRAULIC PUMP AND RESERVOIR - 2381 SERIES	86
HYDRAULIC MOTOR - 2381 SERIES	89
REEL AND SUPPORTS - 2381 SERIES	90
REEL LIFT HYDRAULICS - 2381 SERIES	93
REEL LIFT CYLINDERS - 2381 SERIES	94
TABLE HEIGHT CONTROL - 1859 SERIES	97
TABLE HEIGHT CONTROL - 1859 SERIES	98
TABLE HEIGHT CONTROL - 1859 SERIES	101
TABLE HEIGHT CONTROL - 1859 SERIES	102
TABLE HEIGHT CONTROL - 2381 SERIES	105
ELEVATOR TO TABLE DRIVE - PADDLE	106
RIGHT HAND DRIVE - PADDLE ELEVATOR	109
ELEVATOR, TOP SHAFT AND PADDLE - PADDLE	110
ELEVATOR SHAFTS, DRIVES AND PADDLES - PADDLE	113
ELEVATOR EXTENSION - PADDLE	114
ELEVATOR TOP SHAFT AND DRIVE	118
RIGHT HAND DRIVE - SLAT ELEVATOR	121
ELEVATOR AND EXTENSION - SLAT	122
ELEVATOR CLUTCH - ELECTROMAGNETIC THROW-OUT	126
ELEVATOR SHIELDS	129
CYLINDER HOUSING	130
CYLINDER DRIVE	133
CYLINDER DRIVE	134
VARIABLE SPEED DRIVE CONTROL	138
CYLINDER (RASP-BAR)	141
EDIBLE BEAN ATTACHMENT	142
CYLINDER (SPIKE TOOTH)	145

TABLE OF CONTENT

CONCAVE (KASP-BAR)	146
CONCAVE (SPIKE TOOTH)	149
CONCAVE CONTROL	150
STONE TRAP FEED PLATE	153
FRONT BEATER	154
REAR BEATER	157
WALKER BODY	158
WALKER BODY EXTENSION	161
STRAW WALKERS	162
STRAW WALKERS AND RETURNS ELEVATOR DRIVE	166
STRAW WALKER DRIVE SHIELD	169
GRAIN PAN AND SHAKER SHAFT	170
FANNING MILL	173
SHAKER SHOE AND SIEVES	174
SCREENS - SHAKER SHOE FRONT	177
HOOD, CURTAIN AND DEFLECTOR	178
HOOD - MF 855 COMBINE	181
STRAW SPREADER	182
STRAW SPREADER DRIVE	185
LEFT HAND DRIVE - FANNING MILL	186
LEFT HAND DRIVE IDLERS - FANNING MILL	189
GRAIN TANK	190
GRAIN TANK EXTENSION - ORDER COMPONENTS	191B
GRAIN ELEVATOR	191C
GRAIN ELEVATOR	193
GRAIN ELEVATOR DRIVE	194
GRAIN TANK UNLOADER BOTTOM	197
GRAIN TANK UNLOADER TOP	198
GRAIN TANK UNLOADER EXTENSION	201
GRAIN TANK UNLOADER DRIVE	202
RETURNS ELEVATOR	205
RETURNS ELEVATOR CARRIERS	206
LEFT SIDE SHIELDS - MUD AND GRAIN TANK UNLOADER DRIVE	210
STRAW CHOPPER DRIVE	213
STRAW CHOPPER	217
STRAW CHOPPER - WITH SLOW DOWN	218
RIGHT SIDE SHIELDS	221
MAIN FRAME	222
FRONT AXLE, SHAFTS AND COUPLINGS - 4 SPEED TRANSMISSION	225
FRONT AXLE, SHAFTS AND COUPLINGS - HYDROSTATIC TRANSMISSION	226
FRONT WHEELS	229
REAR MOTOR HOUSING	230
REAR MOTOR HOUSING	233
MAIN DRIVE AND CONTROLS	234
TRACTION DRIVE - HYDROSTATIC TRANSMISSION	237
VARIABLE SPEED TRACTION DRIVE - 4 SPEED TRANSMISSION	238
TRACTION CLUTCH - 4 SPEED TRANSMISSION	242
GEAR SHIFT - 4 SPEED TRANSMISSION	246
GEAR SHIFT - HYDROSTATIC TRANSMISSION	249
STEERING PEDESTAL - USED LATE PRODUCTION	250
STEERING PEDESTAL - USED EARLY PRODUCTION TRACTORS.	253
STEERING WHEEL COLUMN AND CONTROL UNIT - USED LATE PRODUCTION	254
STEERING WHEEL, COLUMN AND CONTROL UNIT - USED EARLY PRODUCTION TRACTORS.	257
CONSTANT MESH TRANSMISSION - 4 SPEED, NORTH AMERICA ONLY	258
CONSTANT MESH TRANSMISSION - HYDROSTATIC, NORTH AMERICA ONLY	262
CONSTANT MESH TRANSMISSION - HYDROSTATIC, EUROPE ONLY	266
HYDROSTATIC TRANSMISSION CONTROLS	270
HYDROSTATIC PRESSURE RELEASE CONTROLS	273
HYDROSTATIC PUMP DRIVE AND MOTOR - SUNDSTRAND PUMP AND MOTOR	274
HYDROSTATIC PUMP DRIVE AND MOTOR - EATON PUMP AND MOTOR	277
HYDROSTATIC PUMP - SUNDSTRAND	278
PUMP DRIVE MOTOR - SUNDSTRAND	282
HYDROSTATIC PUMP - EATON	285
HYDROSTATIC PUMP - EATON	289
CONTROL VALVE, CHARGING PUMP - EATON	293
PUMP DRIVE MOTOR - EATON	294
PUMP DRIVE MOTOR - EATON	297
HYDROSTATIC COOLING SYSTEM	298

TABLE OF CONTENT

HYDROSTATIC COOLING SYSTEM	301
OIL COOLER AND FAN DRIVE	301A
OIL COOLER FAN DRIVE	302
FINAL DRIVE - GRAIN AND RICE RUBBER	305
FINAL DRIVE - RICE-TRACK	306
PARKING BRAKE CONTROLS	309
TURNING BRAKES	310
BRAKE CYLINDER, BRAKE ASSEMBLY	313
TRACK FRAME AND AXLE - CONVERSION - WHEELS TO TRACK	314
TRACK, IDLER AND ROLLERS - CONVERSION - WHEELS TO TRACK	317
REAR WHEELS-4 WHEEL DRIVE - SEE HARVESTING SERVICE BULLETIN #81-33	318
A FRAME - GRAIN AND RICE	321
FIXED REAR AXLE - GRAIN	322
A FRAME, FIXED REAR AXLE - GRAIN	325
ADJUSTABLE REAR AXLE	326
ADJUSTABLE REAR AXLE - GRAIN	329
ADJUSTABLE REAR AXLE - POWERED REAR DRIVE	330
ADJUSTABLE REAR AXLE - POWERED REAR DRIVE	333
HYDRAULIC PUMP	334
PLANETARY GEAR BOX - POWERED REAR DRIVE	337
SELECTOR VALVE - POWERED REAR DRIVE	338
REAR WHEEL DRIVE, ADJUSTABLE AXLE	341
REAR WHEEL DRIVE, ADJUSTABLE AXLE - GRAIN	342
CONTROL VALVE, CHARGING PUMP	345
MOTOR ASSEMBLY - MOTOR HOUSING AND AXLE YOKE	346
MOTOR ASSEMBLY	349
MOTOR ASSEMBLY - WHEEL MANIFOLD	350
MOTOR ASSEMBLY - PLANET PINION, CARRIER, HOUSING	353
REAR WHEEL DRIVE CONTROL VALVE	354
REAR WHEEL DRIVE WIRING - ELECTRICAL WIRING	357
OPERATOR'S PLATFORM AND LADDER	358
CONTROL BOX	361
INSTRUMENTS AND SWITCHES	362
MONITOR SYSTEM	365
GRAIN LOSS MONITOR	367B
BATTERY AND WIRING - A6-3724 AND AT6 3544-ENGINES	369
ALTERNATOR	370
STARTER	373
SOLENOID	374
LIGHTING	377
LIGHTS	378
FLOODLIGHTS	381
ROAD LIGHTS - EUROPE ONLY	382
LIGHTS - EUROPE ONLY	385
ELECTRIC ETHER STARTING KIT	386
SEAT	389
SEAT	389A
ENGINE COVER	390
ENGINE COVER EXTENSION	393
ROTARY AIR INTAKE AND DRIVE	397
CHAFF EXTRACTOR - FIELD INSTALLED	397A
FUEL TANK, LINES, SUPPORTS AND TOOL BOX	398
HYDRAULIC CONTROLS - 4 SPEED AND HYDROSTATIC	401
MAIN HYDRAULIC CONTROL VALVE - 3 SPOOL	402
HYDROSTATIC REEL DRIVE HYDRAULICS - ELECTRIC CONTROLLED	405
HYDROSTATIC REEL DRIVE HYDRAULICS	406
FLOW CONTROL VALVE	409
HYDRAULIC PRESSURE AND RETURN LINES	410
HYDRAULIC PRESSURE AND RETURN LINES	413
HYDRAULIC PUMP	414
CONTROL VALVE - TABLE HEIGHT	417
CONTROL VALVE - TABLE HEIGHT, REEL FORE AND AFT	418
CONTROL VALVE SECTION - EUROPE ONLY	421
HYDRAULIC TANK	422
REEL LIFT HYDRAULICS	425
HYDRAULIC CONTROL REEL FORE AND AFT - FLOATATION ACCUMULATOR	426
TABLE LIFT HYDRAULICS	429
TABLE LIFT CYLINDER	430

TABLE OF CONTENT

FLOATATION ACCUMULATOR - COMBINES WITH AUTOMATIC HEADER HEIGHT CONTROL	431B
TANK UNLOADER SWING CONTROLS	433
TANK UNLOADER HYDRAULICS	434
UNLOADER CYLINDER	437
VARIABLE SPEED HYDRAULICS - 4 SPEED	438
VARIABLE SPEED CYLINDER	441
STEERING HYDRAULICS	442
STEERING HYDRAULICS	445
HYDRAULIC STEERING CYLINDER	449
HYDRAULIC PUMP DRIVE AND ENGINE SUPPORTS	450
GREASE HARNESS	453
BELTS	454
CHAINS	457
CHAINS	458
CHAINS - PADDLE ELEVATOR	461
CHAINS - SLAT ELEVATOR	462
CONVEYOR CHAIN	465
EMBLEMS AND LABELS	466
EMBLEMS AND LABELS - EUROPE ONLY	469
EMBLEMS AND LABELS - FRENCH CANADIAN	470
EMBLEMS AND LABELS - EUROPE ONLY	473
PAINT, OIL, TOOLS - ACCESSORIES	474
CYLINDER BLOCK - A6-372.4 DIESEL	477
CRANKSHAFT AND FLYWHEEL - A6-372.4 DIESEL	478
PISTONS, RINGS AND RODS	481
CAMSHAFT AND TIMING GEAR - A6-372.4 DIESEL	482
CYLINDER HEAD - A6-372.4 DIESEL	485
CYLINDER HEAD COVER - A6-372.4 DIESEL	486
CYLINDER HEAD COVER - A6-372.4 DIESEL	489
OIL PAN, PUMP AND FILTER - A6-372.4 DIESEL	490
GASKET SETS - A6-372.4 DIESEL	493
WATER PUMP - A6-372.4 DIESEL	494
MANIFOLDS - A6-372.4 DIESEL	497
INJECTION SYSTEM - A6-372.4 DIESEL	498
FUEL INJECTION PUMP - A6-372.4 DIESEL	501
FUEL FILTERS AND LINES - A6-372.4 DIESEL	502
AIR INTAKE AND EXHAUST - A6-372.4 DIESEL	505
AIR INTAKE AND EXHAUST - A6-372.4 DIESEL	506
CYLINDER BLOCK - AT6-354.4CC AND A6354.4 DIESEL	509
CRANKSHAFT, FLYWHEEL, INSERTS - AT6-354.4CC AND AT6-354.4 DIESEL	510
PISTON RINGS AND RODS - AT6-354.4CC AND AT6354.4 DIESEL	513
CYLINDER HEAD - AT6-354.4CC AND AT6-354.4 DIESEL	514
CLYLINDER HEAD COVER - AT6-354 ENGINE - AT6-354.4CC AND AT6-354.4 DIESEL	517
CYLINDER HEAD COVER - AT6-345.4 DIESEL	518
TIMING GEAR AND CAMSHAFT - AT6-354.4CC AND AT6-354.4 DIESEL	521
OIL PAN, FILTER AND PUMP - AT6-354.4CC AND AT6-354.4 DIESEL	522
OIL COOLER AND FILTER	525
GASKET SETS - AT6-354.4CC DIESEL	526
GASKET SETS - AT6-354.4 DIESEL	529
WATER PUMP AND ATTACHING PARTS - AT6-354.4CC AND AT6-354.4 DIESEL	530
MANIFOLDS AND TURBOCHARGER - AT6-354.4CC DIESEL	533
MANIFOLDS AND TURBOCHARGER - AT6-354.4 DIESEL	537
INJECTION SYSTEM - AT6-354.4CC AND AT6-354.4 DIESEL	538
INJECTION PUMP AND INJECTOR - AT6-354.4CC AND AT6-354.4 DIESEL	541
TURBOCHARGER - AT6-354.4CC AND AT6-354.4 DIESEL	542
FUEL FILTERS AND LINES - AT6-354.4CC AND AT6-354.4 DIESEL	545
LIFT PUMP AND FUEL FILTER - A6-372.4, AT6-354.4CC AND AT6-354.4 DIESEL	546
AIR INTAKE AND EXHAUST - AT6-354.4CC DIESEL	549
AIR INTAKE AND EXHAUST - AT6-354.4 DIESEL	550
PRE-CLEANER, PRE-SCREENER - EXTREME DUSTY CONDITIONS	553
THROTTLE CONTROL AND FUEL SHUT-OFF - A6-372.4 AND AT6-354.4 DIESEL	554
RADIATOR, FAN, DRIVE - A6-372.4 DIESEL	557
RADIATOR, FAN, DRIVE - AT6-354.4 DIESEL	561
SCREENS - RADIATOR, FAN, DRIVE	565
CAB - SHEET METAL, WINDOWS	566
CAB - SEALING AND TRIM	569
CAB - SEALING AND TRIM	570
COMPRESSOR, EVAPORATOR, CONDENSOR	571B

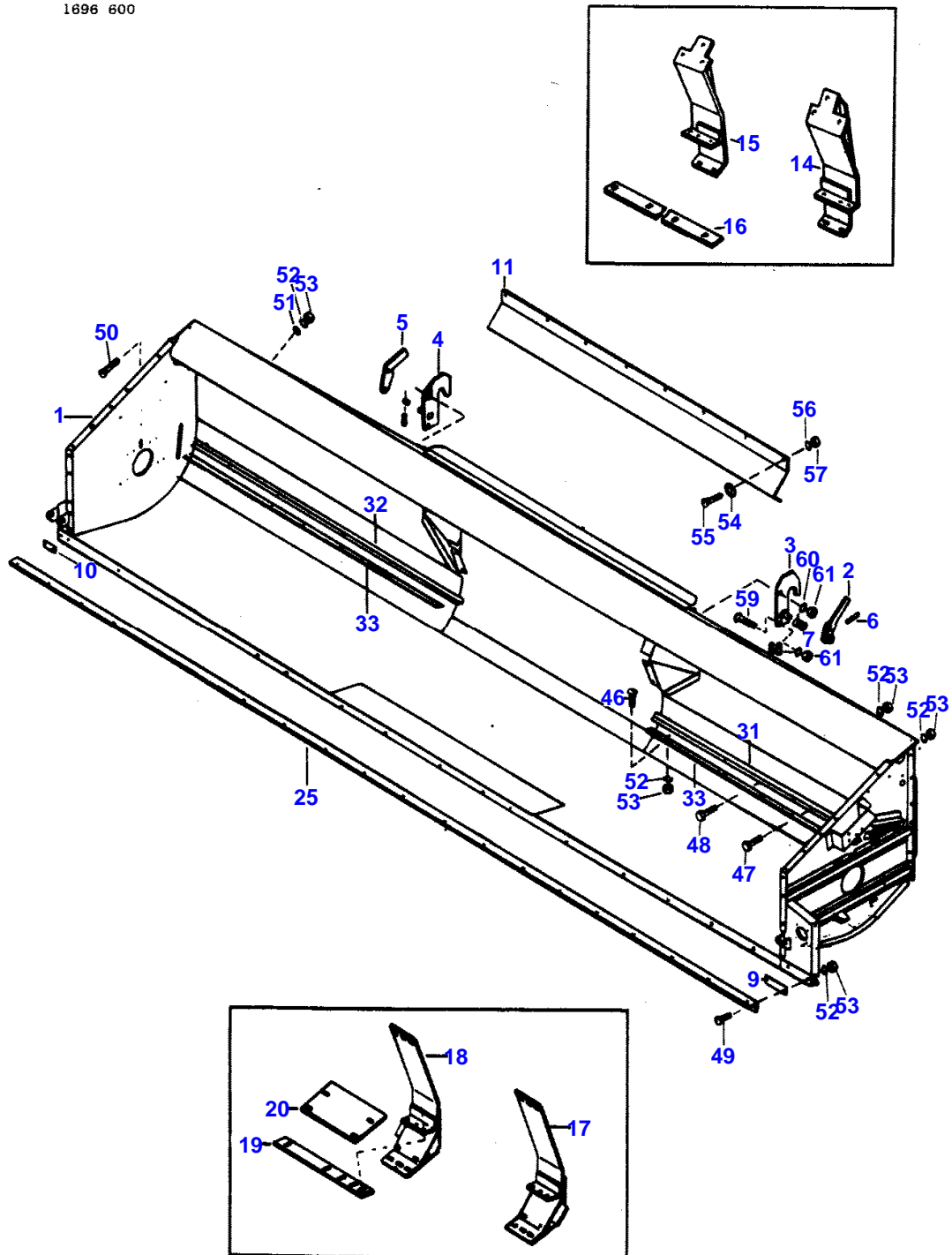
TABLE OF CONTENT

COMPRESSOR, EVAPORATOR, CONDENSOR	571C
COMPRESSOR	573
COMPRESSOR	574
AIR CONDITIONING AND LINES	575B
AIR CONDITIONING AND LINES	577
AIR CONDITIONING AND LINES	578
CAB ELECTRICAL WIRING	581
PRESSURIZER	582
HEATER	585
HEATER	586
WINDSHIELD WIPER - EUROPE ONLY	589

2

TABLE

1696 600



1st Print

651 444 M93 (Issue 1) 1/83

TABLE - 1859 SERIES

Item	Part Number	Qty	Description	Comments
				1859 SERIES
				RIGID CUTTER BAR
1	245965M91	1	Table	(A)
	264454M93	1	Table	(B)
	264456M93	1	Table	(C)
	264458M93	1	Table	(D)
	264459M93	1	Table	(E)
2	262013M92	1	Cam	Left Hand (A, B, C, D, E)
3	261516M91	1	Plate	Left Hand (A, B, C, D, E)
4	261517M91	1	Plate	Right Hand (A, B, C, D, E)
5	262012M92	1	Cam	Right Hand (A, B, C, D, E)
6	363307X1	2	Pin	3/16" X 1-1/8" (A, B, C, D, E)
7	261641M1	1	Spring	Left Hand (A, B, C, D, E)
8	261640M1	1	Spring	Right Hand (A, B, C, D, E)
9	369141X1	1	Plate	(A, B, C, D, E)
10	369142X1	1	Plate	(A, B, C, D, E)
11	264022M91	1	Cowl	(A, B, C, D, E)
14	281984M91	1	Plate	Left Hand (A, B, C, D, E)
				For Export Europe
15	281983M91	1	Plate	Right Hand (A, B, C, D, E)
				For Export Europe
16	282020M1	2	Strap	(A, B, C, D, E)
				For Export Europe
17	272131M92	1	Plate	Left Hand 4-3/16" (A, B, C, D, E)
18	272137M92	1	Plate	Right Hand 4-3/16" (A, B, C, D, E)
19	272141M1	2	Plate	Length 12-3/16" (A, B, C, D, E)
20	272142M1	2	Plate	Length 10" (A, B, C, D, E)
25	260707M1	1	Anglepiece	(A)
	260802M2	1	Knife	(B)
	260803M2	1	Anglepiece	(C)
	260861M2	1	Anglepiece	(D)
	260862M3	1	Anglepiece	(E)
31	261573M1	1	Anglepiece	49-7/16" Left Hand (A)
31	264057M1	1	Angle	61-7/16" Left Hand (B)
31	261534M1	1	Anglepiece	67-7/16" Left Hand (C)
31	261674M1	1	Anglepiece	79-7/16" Left Hand (D)
31	261520M1	1	Anglepiece	91-7/16" Left Hand (E)
32	261572M1	1	Anglepiece	49-7/16" Right Hand (A)
32	264059M1	1	Angle	61-7/16" Right Hand (B)
32	261535M1	1	Anglepiece	67-7/16" Right Hand

MASSEY FERGUSON

MF 850/855E COMBINES, INCLUDES MF 750, I-> 16922480 - 651444EA

651444EA

TABLE - 1859 SERIES

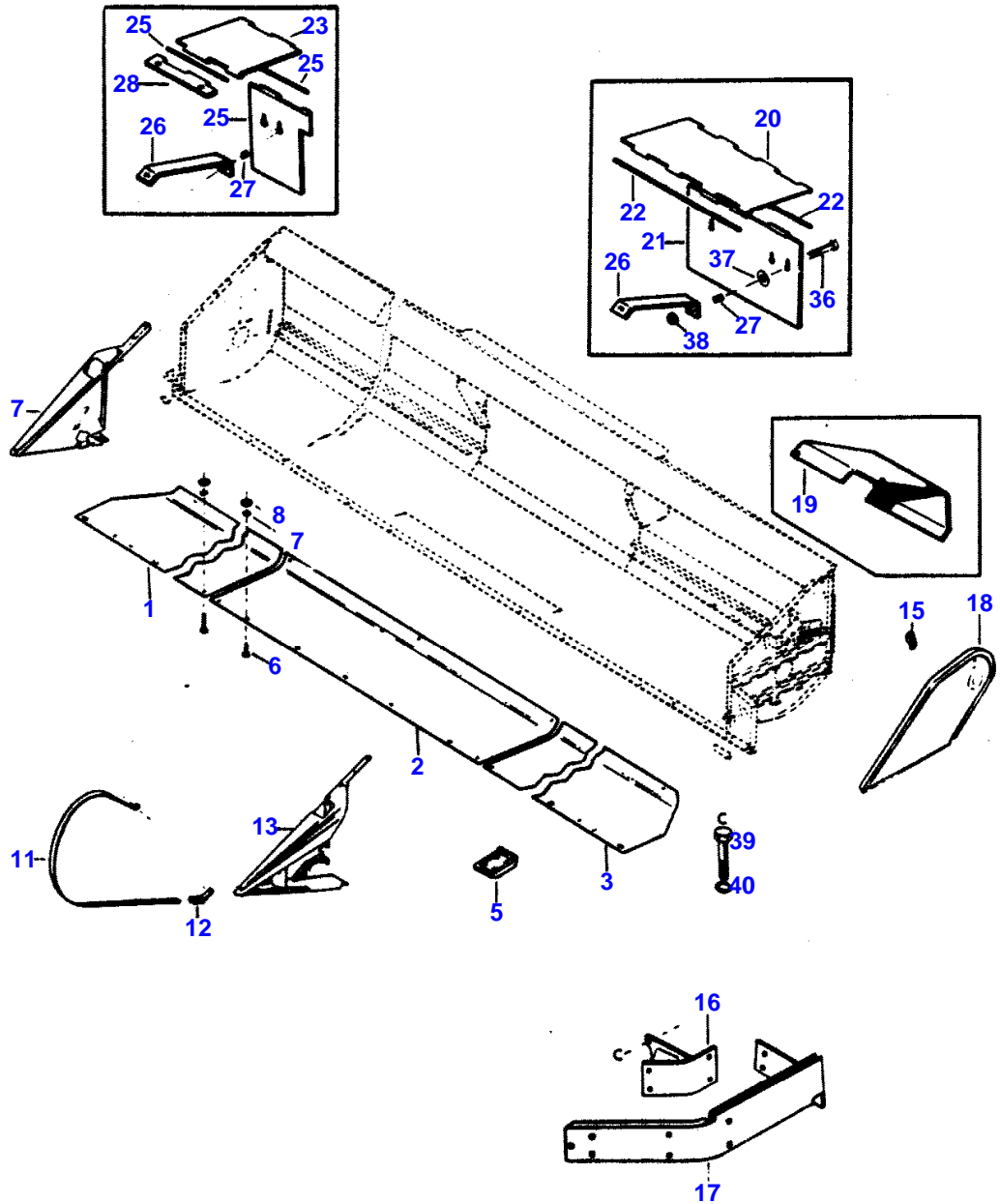
2

Item	Part Number	Qty	Description	Comments
32	261673M1	1	Anglepiece	(C) 79-7/16" Right Hand
32	261518M1	1	Anglepiece	(D) 91-7/16" Right Hand
33	261574M1	2	Strap	(E) Length 41-7/16" (A)
33	264058M1	2	Strap	Length 53-7/16" (B)
33	261488M1	2	Plate	59-7/16" (C)
33	261675M1	2	Plate	71-7/16" (D)
33	261521M1	2	Strap	83-7/16" (E)
46	364352X1	X	Bolt Unc	(A, B, C, D, E)
47	353677X1	X	Screw Unc	(A, B, C, D, E)
48	353678X1	X	Screw Unc	(A, B, C, D, E)
49	364954X1	X	Bolt	(A, B, C, D, E)
50	364533X1	X	Bolt	(A, B, C, D, E)
51	353755X1	X	Washer	11/32 X 11/16 X 5/64" (A, B, C, D, E)
52	353446X1	X	Lock Washer	5/16" (A, B, C, D, E)
53	355565X1	X	Nut Unc	(A, B, C, D, E)
54	049307X	X	Washer	7/16 X 7/8 X 3/64" SQ. (A, B, C, D, E)
55	360513X1	X	Screw	(A, B, C, D, E)
56	353434X1	X	Lock Washer	3/8" (A, B, C, D, E)
57	355566X1	X	Nut Unc	(A, B, C, D, E)
59	363423X1	X	Bolt	(A, B, C, D, E)
60	353433X1	X	Lock Washer	(A, B, C, D, E)
61	375099X1	X	Nut Unc	5/8" (A, B, C, D, E)
				(A)
				13'
				(B)
				15'
				(C)
				16'
				(D)
				18'
				(E)
				20'

TABLE BOTTOM PLATES, SHIELDS AND DIVIDERS

5

1696 601



1st Print

651 444 M93 (Issue 1) 1/83

MASSEY FERGUSON

MF 850/855E COMBINES, INCLUDES MF 750, |-> 16922480 - 651444EA

651444EA

TABLE BOTTOM PLATES, SHIELDS AND DIVIDERS - 1859 SERIES

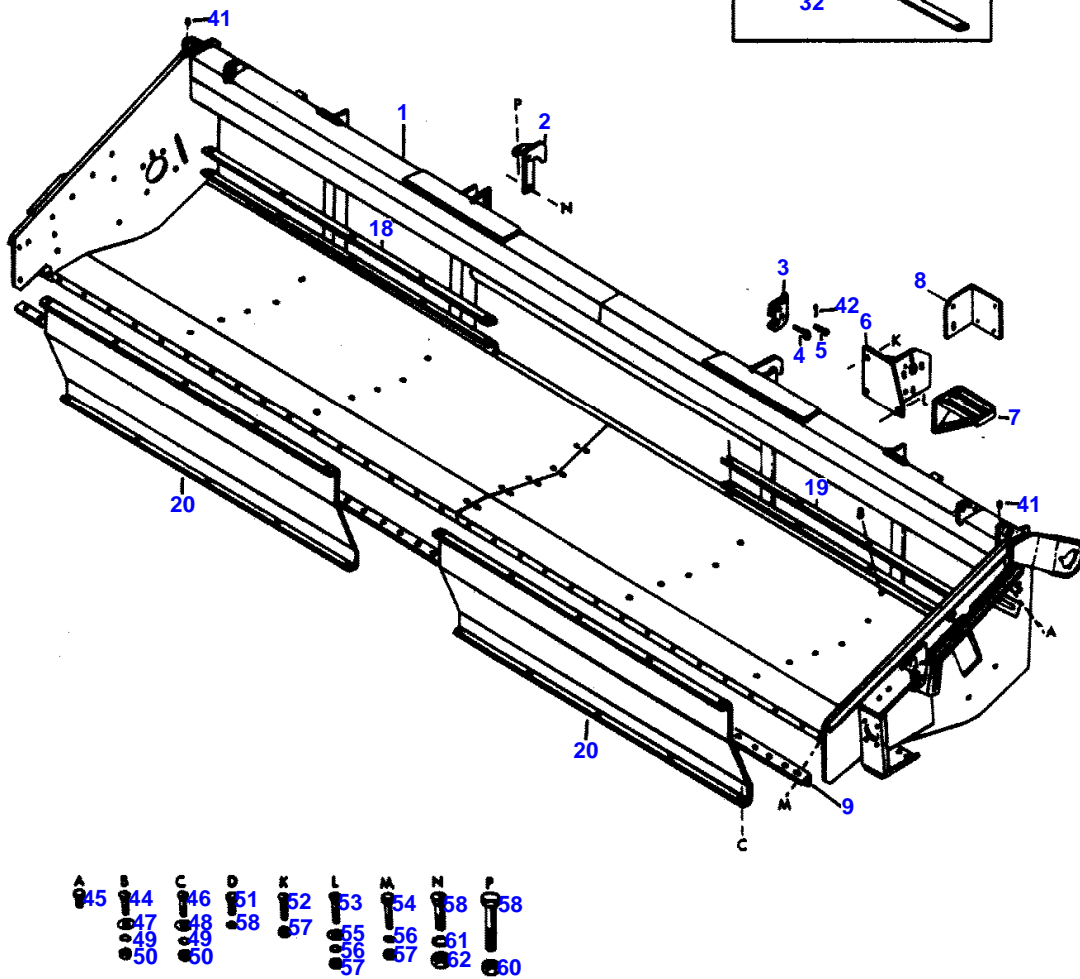
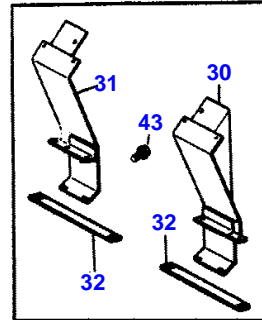
5

Item	Part Number	Qty	Description	Comments
				1859 SERIES
				RIGID CUTTER BAR
1	264040M91	1	Plate	Right Hand (B)
1	261564M91	1	Plate	Right Hand (C)
1	261668M91	1	Plate	Right Hand (D)
1	261600M91	1	Plate	Right Hand (E)
2	261562M91	1	Plate	(B, C, D, E)
3	264038M91	1	Plate	Left Hand (B)
3	261565M91	1	Plate	Left Hand (C)
3	261669M91	1	Plate	Left Hand (D)
3	261601M91	1	Plate	Left Hand (E)
				Bottom
5	261568M1	7	Shoe	(B, C, D, E)
6	353691X1	X	Screw Unc	(B, C, D, E)
7	353434X1	X	Lock Washer	3/8" (B, C, D, E)
8	353756X1	X	Washer	13/32 X 1-3/16 X 1/16" (B, C, D, E)
11	239746M1	2	Cowl	(B, C, D, E)
12	236125M91	2	Bearer	(B, C, D, E)
13	260683M95	1	Divider	Left Hand (B, C, D, E)
14	260676M95	1	Divider	Right Hand (B, C, D, E)
15	261408M1	1	Bearer	(B, C, D, E)
16	264446M91	1	Support	(B, C, D, E)
17	261726M91	1	Cowl	(B, C, D, E)
18	261409M91	1	Cowl	(B, C, D, E)
19	261627M1	1	Cowl	(D, E)
20	245924M1	1	Shield	Left Hand (A, B, C, D, E)
21	245925M1	1	Shield	Left Hand (A, B, C, D, E)
22	360985X1	2	Rod	1/4 X 12-1/16" (A, B, C, D, E)
23	261623M1	1	Cowl	Right Hand (A, B, C, D, E)
24	261626M1	1	Cowl	Right Hand (A, B, C, D, E)
25	365695X1	2	Pin	1/4 X 5-3/4" (A, B, C, D, E)
26	261624M1	3	Bearer	(A, B, C, D, E)
27	261625M1	3	Spring	(A, B, C, D, E)
28	261622M1	1	Hinge	(A, B, C, D, E)
36	355156X1	X	Screw Unc	(A, B, C, D, E)
37	368371X1	X	Washer	11/32 X 1-1/4 X 1/8" (A, B, C, D, E)
38	375108X1	X	Nut Unc	(A, B, C, D, E)
39	353725X1	X	Bolt Unc	(A, B, C, D, E)
40	353439X1	X	Lock Washer	1/2" (A, B, C, D, E)
				(A)
				13'
				(B)
				15'
				(C)
				16'
				(D)
				18'
				(E)
				20'

6

TABLE

1696 602-1



1st Print

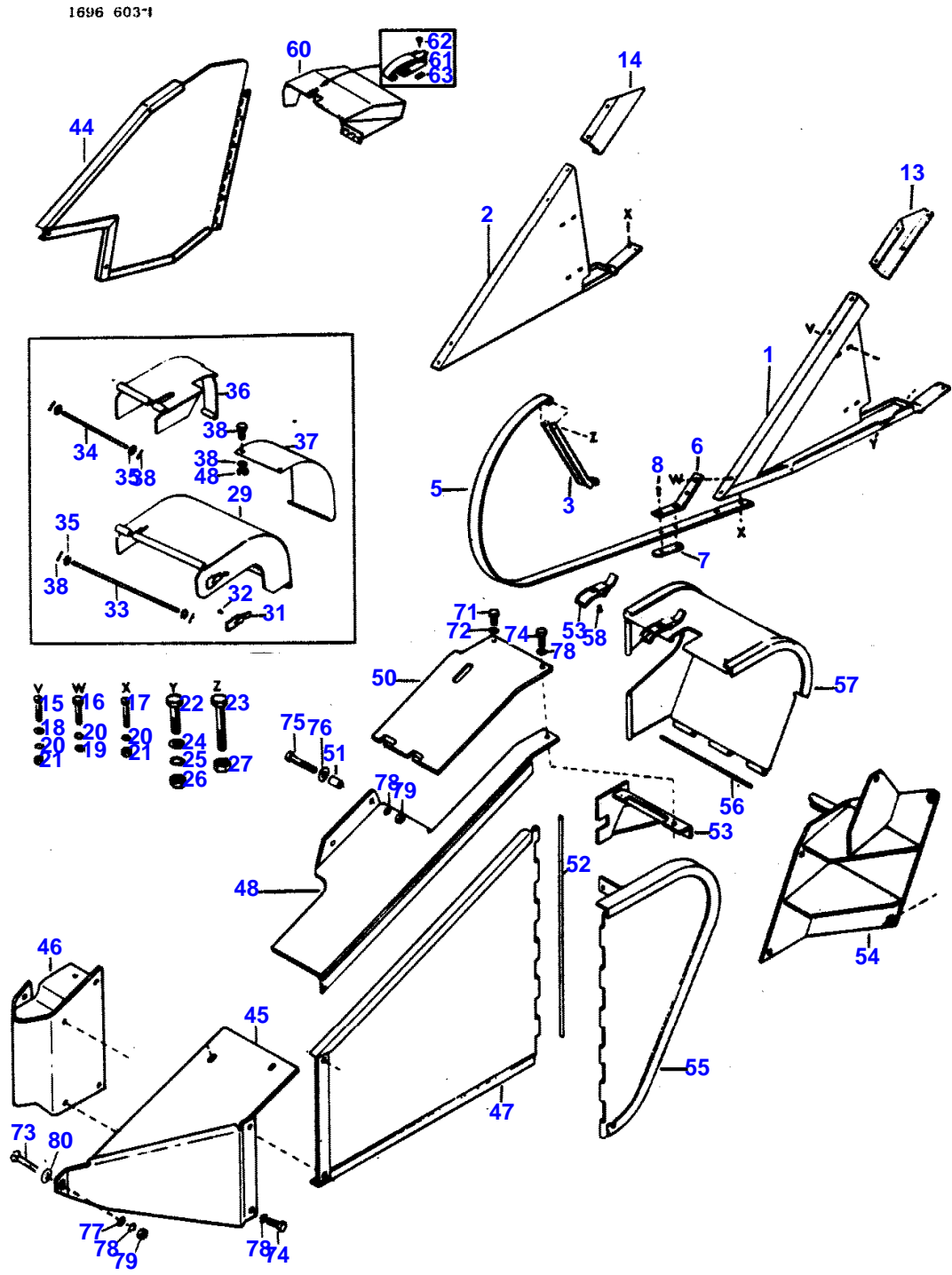
651 444 N93 (Issue 1) 1/83

TABLE - 2381 SERIES

Item	Part Number	Qty	Description	Comments
				2381 SERIES
				RIGID AND FLOATING CUTTER BAR
1	267130M93	1	Table	(A)
	281612M93	1	Table	(B)
	147404M91	1	Table	(C)
2	282372M92	1	Hanger	Right Hand (A, B, C)
3	267019M92	2	Hasp	(A, B, C)
4	267018M1	2	Clevis Pin	9/16 X 2-1/2" (A, B, C)
5	367066X1	2	Pin	1-13/16 X 3/4" (A, B, C)
6	147455M91	1	Support	(A, B, C)
7	282531M92	1	Step	(A, B, C)
8	147492M1	1	Bracket	(A, B, C)
9	267147M1	1	Angle	(A)
	282391M1	1	Angle	(B)
19	267146M1	2	Strap	(A, C)
	282379M1	2	Strap	(B)
20	267145M2	2	Windscreen	(A, C)
	282362M1	2	Windscreen	(B)
30	281984M91	1	Plate	Left Hand (A, B, C)
31	281983M91	1	Plate	Right Hand (A, B, C)
32	282020M1	2	Strap	(A, B, C)
41	1900487M92	X	Skate	1/4" - 28 (A, B, C)
42	354066X1	X	Pin	5/32 X 1" (A, B, C)
43	365008X1	X	Screw Unc	(A, B, C)
44	360500X1	X	Bolt Unc	(A, B, C)
45	365053X1	X	Self Tap Screws	(A, B, C)
46	364352X1	X	Bolt Unc	(A, B, C)
47	355802X1	X	Washer	11/32" X 11/16 X 1/16" (A, B, C)
48	353755X1	X	Washer	11/32 X 11/16 X 5/64" (A, B, C)
49	353446X1	X	Lock Washer	5/16" (A, B, C)
50	355565X1	X	Nut Unc	(A, B, C)
51	353689X1	X	Screw Unc	(A, B, C)
52	364964X1	X	Bolt Unc	(A, B, C)
53	363905X1	X	Bolt Unc	(A, B, C)
54	353693X1	X	Screw Unc	(A, B, C)
55	353280X1	X	Washer	7/16" (A, B, C)
56	353434X1	X	Lock Washer	3/8" (A, B, C)
57	355566X1	X	Nut Unc	(A, B, C)
58	363423X1	X	Bolt	(A, B, C)
59	370227X1	X	Screw Unc	(A, B, C)
60	375112X1	X	Nut Unc	(A, B, C)
61	353433X1	X	Lock Washer	5/8" (A, B, C)
62	375099X1	X	Nut Unc	(A, B, C)
				(A)
				22'
				RIGID CUTTER BAR
				(B)
				24'
				RIGID CUTTER BAR
				(C)
				22'
				FLOATING CUTTER BAR

TABLE DIVIDERS AND SHIELDS

9



1st Print

651 444 M93 (Issue 1) 1/83

TABLE DIVIDERS AND SHIELDS - 2381 SERIES

Item	Part Number	Qty	Description	Comments
				2381 SERIES
				22 AND 24 FOOT RIGID AND FLOATING CUTTER BAR
1	281792M92	1	Divider	Left Hand
2	281798M92	1	Divider	Right Hand
3	283707M91	2	Channel	
	267025M93	2	Guard	
5		1	Guard	Not serviced, order 267025M93
6	267023M2	1	Angle	
7	245950M1	1	Plate	
8	022776X	4	Rivet	3/8 X 1-1/4"
13	267126M91	1	Bracket	Left Hand
14	267127M91	1	Bracket	Right Hand
15	365416X1	X	Bolt	
16	353689X1	X	Screw Unc	
17	364964X1	X	Bolt Unc	
18	365675X1	X	Washer	7/16" X 7/8 X 7/64"
19	355619X1	X	Washer	3/8 X 1 X 3/32"
20	353434X1	X	Lock Washer	3/8"
21	355566X1	X	Nut Unc	
22	353724X1	X	Screw Unc	
23	354649X1	X	Bolt Unc	
24	353758X1	X	Washer	17/32 X 1-1/6 X 7/64"
25	353439X1	X	Lock Washer	1/2"
26	375098X1	X	Nut Unc	
27	369066X1	X	Nut	
				DRIVE COUPLING SHIELDS
29	282170M92	1	Shield	Left Hand INCL. REF. (1) 31, (2) 32
30	282174M92	1	Shield	Right Hand
31	281537M1	1	Latch	
32	519566M1	2	Rivet	3/16 X 9/32"
33	282181M1	1	Pin	1/2 X 12-7/16"
34	369866X1	1	Pin	1/2 X 7-15/16"
35	353758X1	4	Washer	17/32 X 1-1/16 X 7/64"
36	354059X1	4	Pin	1/8 X 1"
37	282549M1	2	Cover	
38	353675X1	4	Screw Unc	
39	353446X1	4	Lock Washer	5/16"
40	355565X1	4	Nut Unc	
				KNIFE DRIVE SHIELD
44	147419M91	1	Shield	
45	267163M91	1	Deflector	
46	147484M91	1	Bracket	(A)
	267166M91	1	Support	(B)
47	147493M91	1	Door	(A)
	283733M91	1	Door	(B)
				Not serviced, order 147493M91
48	245926M91	1	Shield	
50	148148M1	1	Cover	
51	060089M1	1	Spacer	15/32 X 3/4 X 1-1/4"
52	GR001646	1	Rod	1/4" X 22-5/8"
53	283738M91	1	Angle	
54	282762M92	1	Support	
55	282758M91	1	Shield	
56	365163X1	1	Pin	1/4" X 10-5/8"
57	147497M91	1	Shield	(A)
	282768M91	1	Shield	(B)
58	281537M1	1	Latch	
59	519566M1	2	Rivet	3/16 X 9/32"
60	147420M91	1	Shield	
61	1055895M1	1	Latch	
62	363448X1	2	Screw	
63	360309X1	2	Nut	
71	353666X1	X	Screw Unc	
72	353441X1	X	Lock Washer	
73	365416X1	X	Bolt	
74	353690X1	X	Screw Unc	

Buy Now



Our support email:

ebooklibonline@outlook.com