

Page Title	Page Number
ELEVATOR TO TABLE DRIVE (PADDLE)	2
RIGHT HAND DRIVE (PADDLE ELEVATOR)	5
ELEVATOR, TOP SHAFT AND PADDLE (PADDLE)	6
ELEVATOR SHAFTS, DRIVES AND PADDLES (PADDLE)	9
ELEVATOR EXTENSION (PADDLE)	10
ELEVATOR TOP SHAFT AND DRIVE	14
RIGHT HAND DRIVE (SLAT ELEVATOR)	17
ELEVATOR AND EXTENSION (SLAT)	18
ELEVATOR CLUTCH (ELECTROMAGNETIC THROW-OUT)	22
ELEVATOR SHIELDS	25
CYLINDER HOUSING	26
CYLINDER DRIVE	29
CYLINDER DRIVE	33
ELECTRIC ACTUATOR (CYLINDER SPEED, FANNING MILL)	30
CYLINDER (RASP BAR) (850/855)	37
CYLINDER (RASP BAR) (855E)	38
CONCAVE (RASP BAR) (850/855)	41
CONCAVE (RASP BAR) (855E)	42
CYLINDER (SPIKE TOOTH)	45
CONCAVE (SPIKE TOOTH)	46
CONVERSION (RASP BAR CYLINDER TO SPIKE TOOTH)	49
CONVERSION (SPIKE TOOTH CYLINDER TO RASP BAR)	50
CONCAVE CONTROL	53
STONE TRAP FEED PLATE	54
FRONT BEATER	57
REAR BEATER	58
WALKER BODY	61
WALKER BODY EXTENSION	62
STRAW WALKERS	65
STRAW WALKERS	66
STRAW WALKERS & RETURNS ELEVATOR DRIVE	69
STRAW WALKERS DRIVE SHIELD	70
GRAIN PAN AND SHAKER SHAFT	73
FANNING MILL	74
SHAKER SHOE AND SIEVES	77
SHAKER SHOE CONVERSION (MF 855E)	78
SCREENS (SHAKER SHOE)	81
HOOD, CURTAIN AND DEFLECTOR	82
HOOD AND CURTAIN (MF 855/855E)	85
CASCADE SEPARATOR (SHEET METAL)	86
CASCADE SEPARATOR (UPPER AND LOWER AUGERS)	89
CASCADE SEPARATOR (ALARMS)	90
CASCADE SEPARATOR (ELEVATOR HOUSING)	93
CASCADE SEPARATOR (CYLINDER)	94
STRAW SPREADER (850 COMBINE)	97
STRAW SPREADER DRIVE (MF 850 COMBINE)	98
STRAW SPREADER (855 COMBINE)	101
STRAW SPREADER (855 COMBINE)	102
STRAW CHOPPER	105
STRAW CHOPPER DRIVE (GRAIN, RICE, SOYBEAN)	106
STRAW CHOPPER SHIELD AND CURTAIN	110
LEFT HAND DRIVE (FANNING MILL)	113
LEFT HAND DRIVE IDLERS (FANNING MILL)	114
GRAIN TANK	117
GRAIN TANK EXTENSION (850/855 COMBINE)	118
GRAIN ELEVATOR	121
GRAIN ELEVATOR DRIVE	122
GRAIN TANK UNLOADER BOTTOM	125
GRAIN TANK UNLOADER TOP	126
GRAIN TANK UNLOADER EXTENSION	129
GRAIN TANK UNLOADER DRIVE	130
RETURNS ELEVATOR	133
RETURNS ELEVATOR CARRIER	134
LEFT SIDE SHIELDS (MUD AND GRAIN TANK UNLOADER DRIVE)	138
RIGHT SIDE SHIELDS	141
MAIN FRAME	142
FRONT AXLE, SHAFTS AND COUPLINGS (4 SPEED TRANSMISSION)	145
FRONT AXLE, SHAFTS AND COUPLINGS (HYDROSTATIC TRANSMISSION)	146

TABLE OF CONTENT

FRONT WHEELS	149
REAR MOTOR HOUSING	150
MAIN DRIVE AND CONTROLS (354.4CC, 354.4)	153
TRACTION DRIVE (HYDROSTATIC TRANSMISSION)	154
VARIABLE SPEED TRACTION DRIVE (4 SPEED TRANSMISSION)	157
TRACTION CLUTCH (4 SPEED TRANSMISSION)	161
GEAR SHIFT (4 SPEED TRANSMISSION)	165
GEAR SHIFT (HYDROSTATIC TRANSMISSION)	166
STEERING PEDESTAL	169
STEERING WHEEL COLUMN AND CONTROL UNIT	170
CONSTANT MESH TRANSMISSION (4 SPEED, NORTH AMERICA ONLY)	173
CONSTANT MESH TRANSMISSION (HYDROSTATIC, NORTH AMERICA ONLY)	177
CONSTANT MESH TRANSMISSION (HYDROSTATIC, EUROPE ONLY)	181
HYDROSTATIC TRANSMISSION CONTROLS	185
HYDROSTATIC PRESSURE RELEASE CONTROLS	186
HYDROSTATIC PUMP DRIVE AND MOTOR	189
HYDROSTATIC PUMP (SUNDSTRAND)	190
PUMP DRIVE MOTOR (SUNSTRAND)	194
HYDROSTATIC COOLING SYSTEM	197
OIL COOLER FAN DRIVE	198
FINAL DRIVE - RICE RUBBER RIGHT/LEFT, RICE TRACK RIGHT/LEFT)	201
PARKING BRAKE CONTROLS	205
TURNING BRAKES	206
BRAKE CYLINDER, BRAKE ASSEMBLY	209
TRACK, FRAME AND AXLE (CONVERSION - WHEELS TO TRACK)	210
TRACK, IDLER AND ROLLERS (CONVERSTION - WHEELS TO TRACK)	213
REAR WHEELS	214
"A" FRAME (GRAIN AND RICE)	217
FIXED REAR AXLE - GRAIN	218
ADJUSTABLE REAR AXLE	221
ADJUSTABLE REAR AXLE (POWERED REAR DRIVE) (GRAIN, RICE)	222
ADJUSTABLE REAR AXLE (POWERED REAR DRIVE) (HYDRAULICS)	225
HYDRAULIC PUMP (POWERED REAR DRIVE)	226
PLANETARY GEAR BOX (POWERED REAR DRIVE)	229
SELECTOR VALVE (POWERED REAR DRIVE)	230
REAR WHEEL DRIVE, ADJUSTABLE AXLE	233
CONTROL VALVE, CHARGING PUMP	234
MOTOR ASSEMBLY (MOTOR HOUSING AND AXLE YOKE)	237
MOTOR ASSEMBLY	238
MOTOR ASSEMBLY	241
MOTOR ASSEMBLY (PLANET PINION, CARRIER, HOUSING)	242
REAR WHEEL DRIVE CONTROL VALVE AND WIRING	245
OPERATOR'S PLATFORM AND LADDER	246
CONTROL BOX	249
HARNESS, INSTRUMENTS AND SWITCHES	250
HARNESS AND SWITCHES	253
HEADER HEIGHT CONTROL ENHANCED WIRING	254
ELECTRICAL HARNESS (USED COMBINE S/N 1696027694 AND UP)	257
MONITOR SYSTEM (USED PRIOR TO COMBINE S/N 1696027694)	258
GRAIN LOSS MONITOR	262
BATTERY AND WIRING (AT6-3544-ENGINES)	265
ALTERNATOR	266
STARTER (USED COMBINE SERIAL NUMBER 1696H27913 AND UP)	269
SOLENOID	270
SOLENOID	274
STARTER (USED PRIOR TO COMBINE SERIAL NUMBER 1696H27913)	273
LIGHTING	277
LIGHTS	278
ROAD LIGHTS (EUROPE ONLY)	281
LIGHTS (EUROPE ONLY)	282
ELECTRIC ETHER STARTING KIT	285
SEAT	286
SEAT	289
ENGINE COVER	290
ENGINE COVER EXTENSION	293
ROTARY AIR INTAKE AND DRIVE (WITH CHAFF EXTRACTOR)	297
FUEL TANK, LINES, SUPPORTS AND TOOL BOX	298
HYDRAULIC CONTROLS (4 SPEED AND HYDROSTATIC)	301
MAIN HYDRAULIC CONTROL VALVE	302
-----	---

## TABLE OF CONTENT

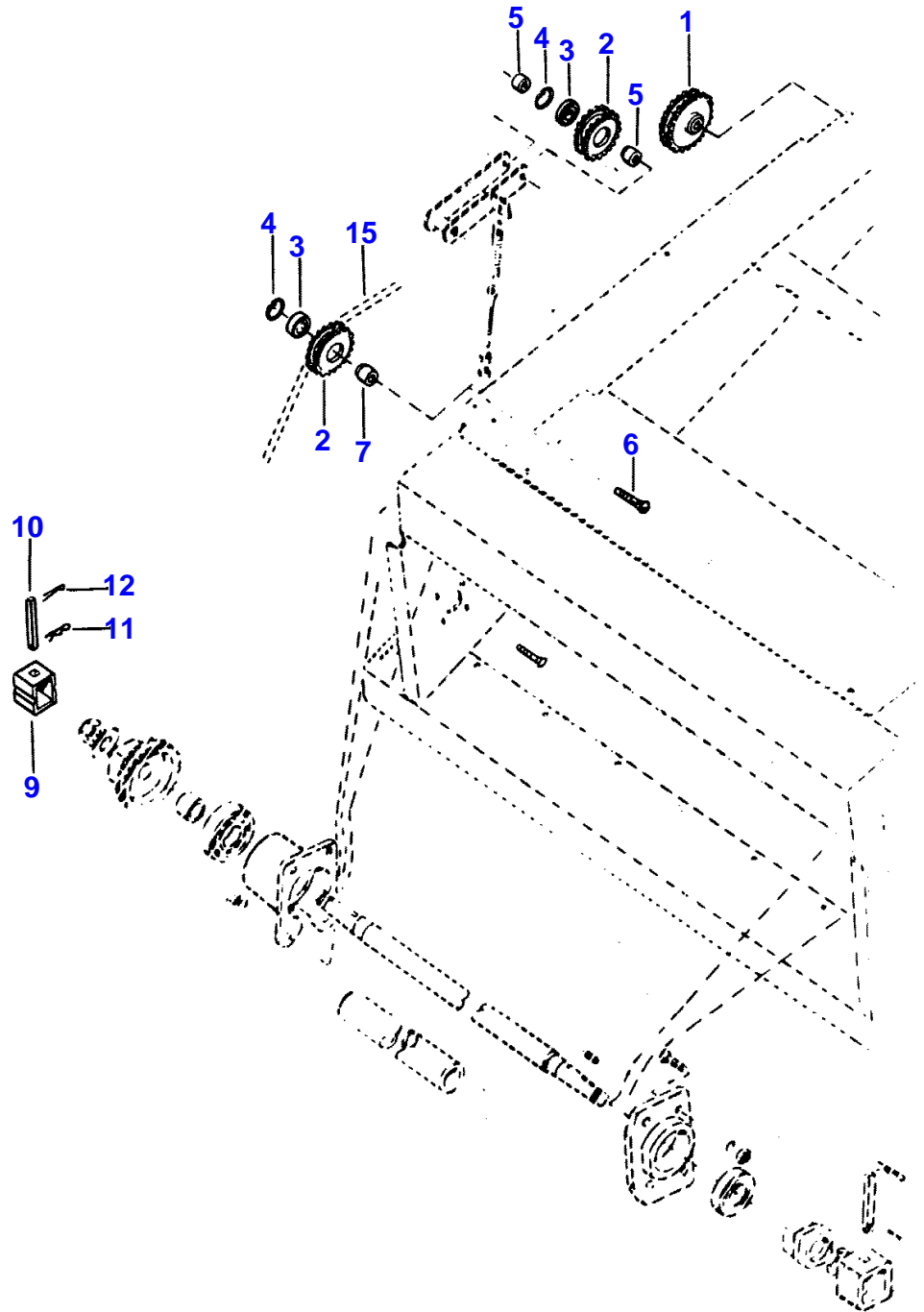
HYDROSTATIC REEL DRIVE HYDRAULICS	305
HYDRAULIC PRESSURE AND RETURN LINES	306
HYDRAULIC PUMP	309
CONTROL VALVE (TABLE HEIGHT)	310
CONTROL VALVE (TABLE HEIGHT, REEL FORE AND AFT)	313
HYDRAULIC TANK (STD. W/RL., HYDRO W/RL., HYDRO W/ORL.)	314
REEL LIFT HYDRAULICS	317
HYDRAULIC CONTROL REEL FORE AND AFT	318
TABLE LIFT HYDRAULICS	321
TABLE LIFT CYLINDER (RICE TRK.)	322
FLOATATION ACCUMULATOR	325
TANK UNLOADER CONTROLS	326
TANK UNLOADER HYDRAULICS	329
UNLOADER CYLINDER	330
VARIABLE SPEED HYDRAULICS (4 SPEED)	333
VARIABLE SPEED CYLINDER	334
STEERING HYDRAULICS (MF850/855 COMBINE)	337
STEERING HYDRAULICS (MF855E COMBINE)	338
REFIEF VALVE	341
STEERING CYLINDER	342
HYDRAULIC PUMP DRIVE AND ENGINE SUPPORTS	345
GREASE HARNESS	346
BELTS	349
CHAINS	350
CHAINS (PADDLE ELEVATOR)	353
CHAINS (SLAT ELEVATOR)	354
CONVEYOR CHAIN	357
EMBLEMS AND LABELS	358
EMBLEMS AND LABELS (EUROPE ONLY)	361
EMBLEMS AND LABELS (FRENCH)	362
ACCESSORIES	365
CYLINDER BLOCK (AT6-354.4CC AND AT6-354.4 DIESEL)	366
CRANKSHAFT, FLYWHEEL, INSERTS	369
PISTONS, RINGS AND RODS (AT6-354.4CC AND AT6354.4 DIESEL)	370
CYLINDER HEAD (AT6-354.4CC AND AT6-354.4 DIESEL)	373
CYLINDER HEAD COVER	374
TIMING GEAR AND CAMSHAFT (AT6-354.4CC AND AT6-3554.4 DIESEL)	377
OIL PAN, FILTER AND PUMP (AT6-354.4CC AND AT6-3554.4 DIESEL)	378
OIL COOLER AND FILTER (354.4CC AND 354.4)	381
GASKET SETS (AT6-354.4CC DIESEL)	382
GASKET SETS (AT-354.4 DIESEL)	385
WATER PUMP AND ATTACHING PARTS	386
MANIFOLDS AND TURBOCHARGER (AT6-354.4CC DIESEL)	389
MANIFOLDS AND TURBOCHARGER (AT6-354.4 DIESEL)	393
INJECTION SYSTEM (AT6-354.4CC AND AT6-354.4 DIESEL)	394
INJECTION PUMP AND INJECTOR	397
TURBOCHARGER	398
FUEL FILTERS AND LINES (AT6-354.4CC AND AT6-354.4 DIESEL)	401
LIFT PUMP AND FUEL FILTER	402
AIR INTAKE AND EXHAUST (AT6-354.4 DIESEL)	405
AIR INTAKE AND EXHAUST (AT6-354.4CC DIESEL) - AIR INTAKE AND EXHAUST (AT6-354.4 DIESEL)	413
AIR INTAKE AND EXHAUST (AT6-354.4CC DIESEL)	406
THROTTLE CONTROL AND FUEL SHUT-OFF (AT6-354.4 DIESEL)	409
RADIATOR, FAN, DRIVE (AT6-354.4 DIESEL)	410
SCREENS (RADIATOR, FAN, DRIVE) (UNITED KINGDOM)	414
CAB (SHEET METAL, WINDOWS)	417
CAB (SEALING AND TRIM)	418
CAB (SEALING AND TRIM)	421
CAB (SEALING AND TRIM)	422
COMPRESSOR AND CONDENSOR	425
COMPRESSOR	426
AIR CONDITIONING AND LINES	429
CAB ELECTRICAL WIRING	430
PRESSURIZER	433
HEATER	434
WINDSHIELD WIPER	437



Item	Part Number	Qty	Description
1	258159M3	1	Shaft
2	258139M1	1	Spacer (1-5/8 x 2-1/4 x 1")
3	358971X1	1	Ring, Ext. Snap (1-5/8" I.D. x 5/32" Thk.)
4	831781M1	2	Flange, Bearing
5	832087M1	1	Bearing, Ball
6	842444M1	1	Nut (1-1/2" NF, Hex., Stake)
7	249674M1	2	Coupler, Male
8	49378X	2	Key (5/16" Sq. x 1-1/4")
9	470040M1	1	Coupling (Female)
10	249675M2	1	Pin (5/8 x 4-5/16" Special)
11	1753018M1	1	Pin, Hair
12	258670M1	1	Tube
16	258138M2	1	Housing, Bearing
17	352976X1	1	Bearing, Ball
18	352433X1	1	Ring, Int. Snap (3-17/32" Dia. x 7/64" Thk.)
19	258143M1	1	Sprocket (3/4" Pitch -20 Teeth)
20	MP001379	1	Key (3/8 x 1-1/4 x 2-1/2")
21	249677M1	2	Stake Nut (1" NF)
22	274424M1	2	Sprocket (3/4" Pitch - 18 Teeth)
23	833735M1	2	Bearing, Ball
24	353231X1	2	Ring, Int. Snap (1-47/64 O.D. x 1/16" Thk.)
27	263392M1	2	Spacer (21/32 x 1-1/8 x 11/32")
28	365318X1	AR	Washer (45/64 x 1-1/4 x 1/32")
29	272250M1	2	Spacer, Bearing
31	273016M92	1	Arm Assembly
32	271644M1	2	Bushing (3/4 x 7/8 x 3/4")
33	214446M1	1	Spring, Tension
34	368243X1	1	Eyebolt (5/16 x 6" NC)
41	249496M1	1	Cover
42	359345X1	2	Plug (1-7/8" Button)
43	365927X1	4	Bolt (1/4 x 1/2" Pan Hd., Self-Tapping)
51	354068X1	AR	Pin (5/32 x 1-1/4" Cotter)
52	354078X1	AR	Pin (3/16 x 1-1/4" Cotter)
53	355203X1	AR	Screw, Hub (5/16 x 7/8" NC, Sq. Hd. Set)
54	375108X1	AR	Nut (5/16" NC, Half Hex.)
55	355565X1	AR	Nut (5/16" NC, Hex.)
56	364224X1	AR	Bolt (1/2 x 1-1/4" NC, Carr.)
57	364246X1	AR	Bolt (1/2 x 1-1/2" NC, Carr.)
58	353439X1	AR	Washer (1/2" Lock)
59	375098X1	AR	Nut (1/2" NC, Hex.)
60	364988X1	AR	Bolt (5/8 x 3-1/2" NC, Carr.)
61	354292X1	AR	Bolt (5/8 x 3-1/2" NC, Hex.)
62	365102X1	AR	Washer (21/32" Sq. x 1-5/16 x 3/16")
63	353433X1	AR	Washer (5/8" Lock)
64	375099X1	AR	Nut (5/8" NC, Hex.)
65	353762X1	AR	Washer (13/16 x 1-1/2 x 5/32" Flat)

RIGHT HAND DRIVE

1696 002



1ST PRINT

651 558 M92 (ISSUE 1) 3/89

Item	Part Number	Qty	Description
1	273366M91	1	Sprocket (26 Teeth, 3/4" Pitch, Double)
2	274134M1	2	Sprocket (16 Teeth, 3/4" Pitch, Double)
3	842947M1	2	Bearing, Ball
4	355978X1	2	Ring, Retaining
5	272042M1	2	Spacer, Idler
6	364990X1	1	Bolt (5/8 x 4" NC, Carr.)
7	274166M1	1	(A) Spacer (41/64 x 1-1/4 x 1-7/32")
	259044M1	1	(B) Spacer (41/64 x 1-1/4 x 1-47/64")
9	470040M1	1	Coupling (Female)
10	249675M2	1	Pin (5/8 x 4-5/16" Special)
11	1753018M1	1	Pin, Hair
12	354078X1	1	Pin (3/16 x 1-1/4" Cotter)
15		1	Chain Assembly (See Page 353)

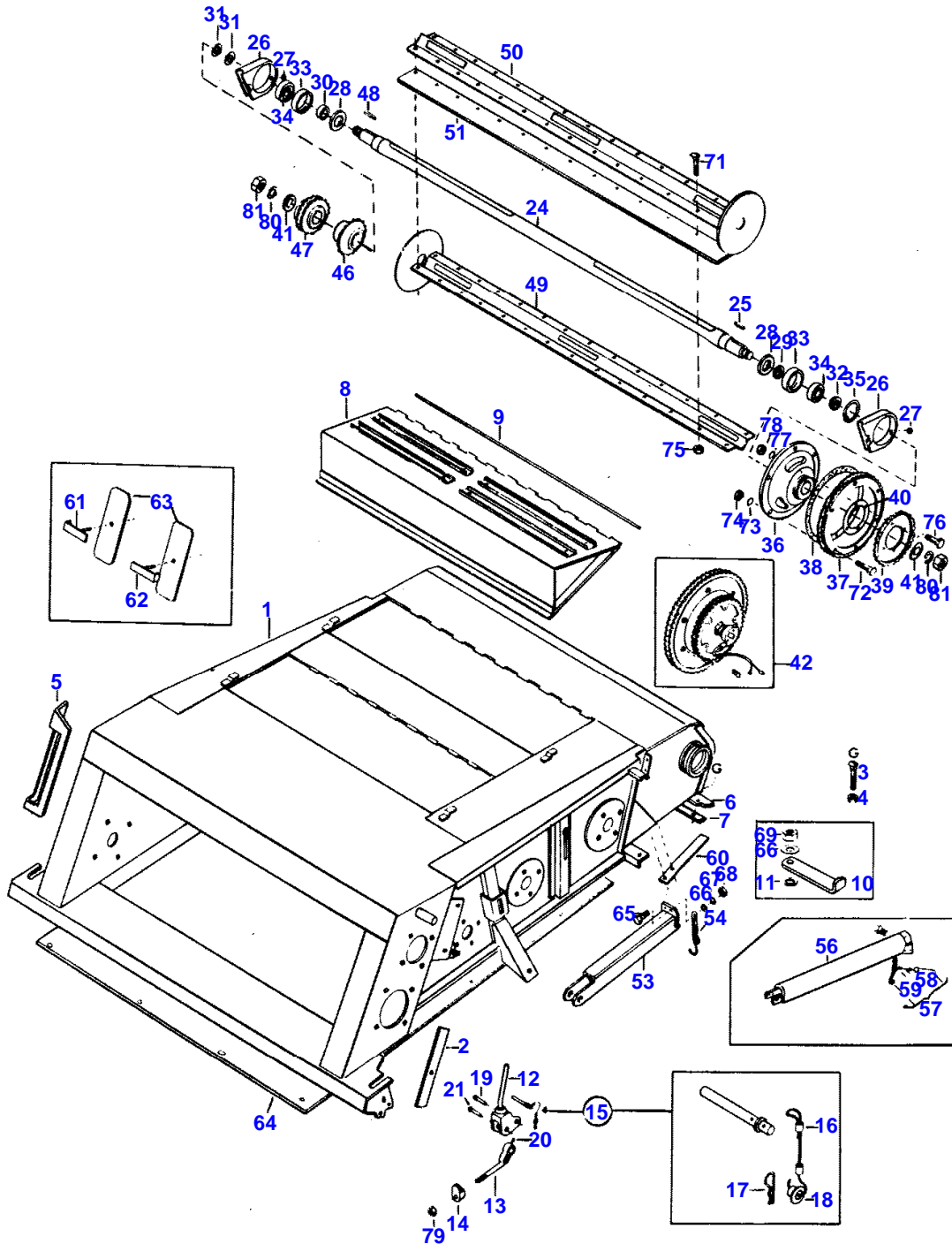
\*\*\*\*\*

(A) - Used Late Production Combines.  
(B) - Used Early Production Combines.

6

ELEVATOR, TOP SHAFT AND PADDLE

1696 003



1ST PRINT

651 558 M92 (ISSUE 1) 3/89



Item	Part Number	Qty	Description
1	293491M91	1	Elevator Assembly
2	259080M1	1	Strap
3	364943X1	8	Bolt (1/4 x 3/4" NC, Carr.)
4	367480X1	8	Nut (1/4" NC, Hex. Lock)
5	259081M1	1	Angle
6	258105M2	1	Strip, Rub
7	278692M1	1	Strap
8	258289M92	2	Door Assembly, Elevator
9	GX001335	2	Rod, Door
10	273742M1	4	Handle, Housing
11	239221M1	4	Washer (5/8 x 3/8 x 1/16")
12	260130M92	2	Lever Assembly
13	260133M3	2	Eyebolt (7/8" NC, Thread)
14	260134M2	2	Latch, Elevator to Table
15	260138M93	2	Pin Assembly
16	260140M1	2	Ferrule, Copper
17	195414M1	1	Pin (1/32 x 1-27/64" Hair Cotter)
18	252798M1	1	Eyelet, Pin
19	195358M1	2	Pin (5/8 x 1-27/32" Clevis)
20	354078X1	2	Pin (3/16 x 1-1/4" Cotter)
21	368281X1	2	Pin (5/8 x 23/32" Clevis)
24	258149M1	1	Shaft, Drive
25	49920X	1	Key (1/2 x 3/8 x 2")
26	273084M1	2	Support, Bearing
27	366268X1	2	Grommet
28	274211M1	2	Washer, Special(2 x 3-9/16 x .132")
29	369090X1	1	Spacer (2-1/32 x 2-1/4 x 1/8")
30	369089X1	1	Spacer (2-1/32 x 2-1/4 x 31/64")
31	364434X1	AR	Shim (.030")
	367462X1	AR	Shim (.060")
32	273990M1	1	Spacer (1-63/64 x 2-3/8 x 3/8")
33	272263M1	2	Housing, Bearing
34	833741M1	2	Bearing, Ball
35	355994X1	1	Ring, Int. Retaining (7/64" Thk.)
36	274174M1	1	Hub, Sprocket
37	259049M1	1	Sprocket (74 Teeth - 5/8" Pitch)
38	258653M1	4	Shim (.030")
39	369054X1	1	Sprocket (31 Teeth - 3/4" Pitch)
40	258651M1	2	Shim (.030")
41	460107M1	2	Washer (1-1/16 x 2-1/4 x 1/4 Special)
42		1	Electric Clutch (See Page 22)
46	273365M91	1	Sprocket (26 Teeth - 3/4" Pitch)
47	273501M91	1	Sprocket Assembly (38 Teeth - 1/2" Pitch)
48	368751X1	1	Key (1/2 x 3/8 x 2-7/8")
49	258152M91	1	Paddle Assembly, Elevator
50	258156M91	1	Paddle Assembly, Elevator
51	293179M1	2	Blade (Rubber)
53	265618M92	1	Stop Assembly (28 - 15/16")
54	265893M1	1	Chain Assembly
56	265447M91	1	Stop Assembly, Elevator (Europe Only)
57	272942M91	1	Pin Assembly
58	273112M1	1	Cable, Pin
59	260140M1	2	Ferrule, Copper
60	278703M1	3	Support, Elevator
61	259352M91	1	Angle Assembly, Left
62	259354M91	1	Angle Assembly, Right
63	259356M1	2	Cover, Angle
64	801016M91	1	(A) Bottom, Elevator Repair
65	353681X1	AR	Bolt (5/16 x 1-1/4" NC, Hex.)
66	353755X1	AR	Washer (11/32 x 11/16 x 5/64" Flat)
67	353446X1	AR	Washer (5/16" Lock)
68	355565X1	AR	Nut (5/16" NC, Hex.)
69	832302M1	AR	Nut (5/16" NC, Lock)
	365417X1	AR	Bolt (3/8 x 7/8" NC, Carr)
71	363905X1	AR	Bolt (3/8 x 1-1/4" NC, Carr.)
72	354261X1	AR	Bolt (3/8 x 1-3/8" NC, Hex.)
73	353434X1	AR	Washer (3/8" Lock)
74	355566X1	AR	Nut (3/8" NC, Hex.)
75	366573X1	AR	Nut (3/8" NC, Hex., Lock, W/Insert)
76	354280X1	AR	Bolt (1/2 x 2" NC, Hex.)
77	353439X1	AR	Washer (1/2" Lock)

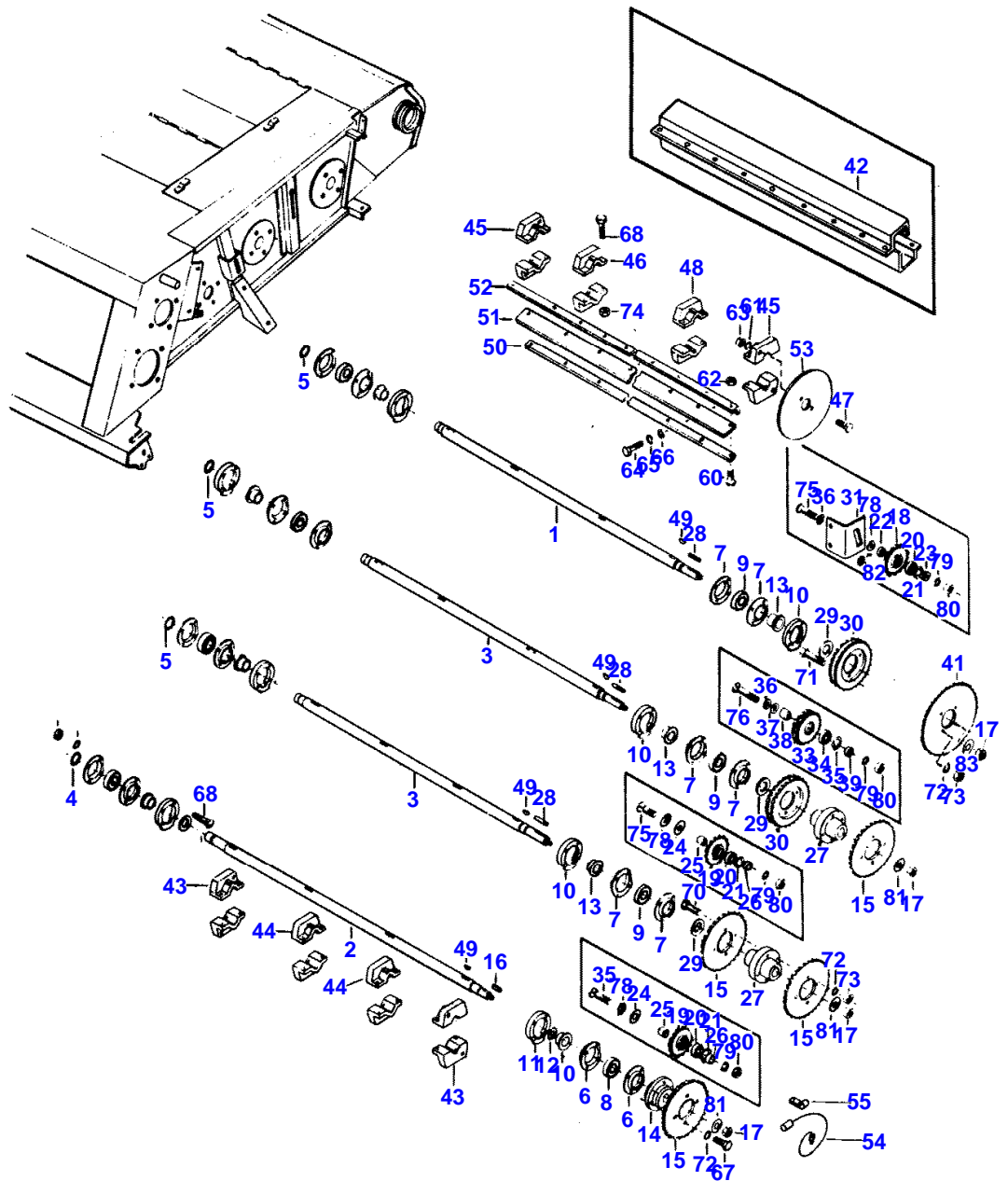
Item	Part Number	Qty	Description
78	375098X1	AR	Nut (1/2" NC, Hex.)
79	358663X1	AR	Nut (7/8" NC, Hex., Lock)
80	353443X1	AR	Washer (1" Lock)
81	355647X1	AR	Nut (1" NF, Half Hex.)

\*\*\*\*\*

(A) - For Repair Order 259039M1 Bottom,  
10 Each Of 364964X1 Bolt, 353434X1  
Washer, 353756X1 Washer, And 355566X1  
Nut.

ELEVATOR SHAFTS, DRIVES AND PADDLES

1696 004-1



1ST PRINT

651 558 M92 (ISSUE 1) 3/89

Item	Part Number	Qty	Description
1	284877M1	1	Shaft, Elevator (58-3/16" Lg.)
2	258128M2	1	Shaft
3	258129M2	2	Shaft
4	831196M1	1	"O" Ring (1-5/16" I.D. x 1/8")
5	1001489M1	3	"O" Ring (1-1/8" I.D. x 1/8")
6	831781M1	4	Flange, Bearing
7	842453M1	12	Flange, Bearing
8	832087M1	2	Bearing, Ball
9	831822M1	6	Bearing, Ball
10	271984M1	8	Spacer (4 Sq. Holes)
11	271982M1	2	Spacer (1-19/32 x 2 x 1-3/64")
12	361388X1	2	Washer (1-21/32 x 2 x 1/32")
13	258132M1	6	Spacer, Bushing (Special)
14	258698M1	1	Hub
15	368224X1	4	Sprocket (3/4" Pitch, 30 Teeth)
16	10738X	1	Key (3/8" Sq. x 1-1/2")
17	273253M1	4	Nut (3/4" NC, Hex., Lock)
18	269876M1	1	Sprocket, Top Drive Shaft (17 Teeth)
19	274424M1	2	Sprocket (3/4" Pitch - 18 Teeth)
20	833735M1	3	Bearing, Ball
21	353231X1	3	Ring, Int. Snap (1-47/64 O.D. x 1/16" Thk.)
22	266276M1	1	Spacer (41/64 x 1 x 1/8")
23	272254M1	1	Spacer (41/64 x 1-1/8 x 1/4")
24	365318X1	AR	Washer (45/64 x 1-1/4 x 1/32")
25	258144M1	2	Spacer (41/64 x 1-1/8 x 21/32")
26	263392M1	2	Spacer (21/32 x 1-1/8 x 11/32")
27	258654M1	2	Hub
28	375335X1	3	Key (5/16" Sq. x 3")
29	361288X1	AR	Washer (1-13/32 x 1-5/8 x 1/32" Flat)
30	258655M2	2	Sprocket, Double (30 Teeth, 5/8" Pitch)
31	284860M2	1	Bracket
33	259030M1	1	Sprocket, Double (19 Teeth, 5/8" Pitch)
34	842947M1	1	Bearing, Ball
35	355978X1	1	Ring, Retaining
36	831779M1	1	Washer (21/32" Sq. Hole x 1-5/16 x 5/64")
37	368933X1	AR	Washer (21/32 x 1-1/2 x 3/16")
38	259043M1	1	Spacer (41/64 x 1-1/4 x 1-1/32")
39	263392M1	1	Spacer (21/32 x 1-1/8 x 11/32")
41		1	Sprocket (See Page 22)
42	259005M3	8	Box, Half (For Weedy And Vine Growth)
43	274603M3	4	Collar Half (1-3/4" Bore)
44	274604M2	4	Collar, Half (Inner) (Order 274603M3)
45	259216M3	12	Collar Half (1-1/2" Bore)
46	259217M2	12	Collar, Half (Order 259216M3)
47	369694X1	AR	Bolt (3/8 x 2" NC, Plow)
49	355484X1	16	Key (1/4 x 2-1/8" Woodruff)
50	259000M3	8	(A) Angle, Drive
51	293054M1	8	(A) Blade (Rubber)
52	259001M2	8	(A) Angle, Drive
53	271989M1		Plate, Drive
54	249305M1	1	Sensor
55	369883X1	1	Clip, Closed (Type "B")
60	363905X1	AR	Bolt (3/8 x 1-1/4" NC, Carr.)
61	353434X1	AR	Washer (3/8" Lock)
62	366573X1	AR	Nut (3/8" NC, Hex., Lock, W/Insert)
63	355566X1	AR	Nut (3/8" NC, Hex.)
64	366088X1	AR	Bolt (7/16 x 1-3/4" NC, Hex.)
65	367053X1	AR	Washer (7/16" Lock)(Special)
66	365671X1	AR	Washer (15/32 x 1 x 3/16" Flat)
67	353723X1	AR	Bolt (1/2 x 1" NC, Hex.)
68	364975X1	AR	Bolt (1/2 x 1-3/4" NC, Carr.)
70	354653X1	AR	Bolt (1/2 x 2-3/4" NC, Hex.)
71	354663X1	AR	Bolt (1/2 x 4" NC, Hex.)
72	353439X1	AR	Washer (1/2" Lock)
73	375098X1	AR	Nut (1/2" NC, Hex.)
74	366608X1	AR	Nut (1/2" NC, Hex., Lock, W/Insert)
75	364986X1	AR	Bolt (5/8 x 2-1/4" NC, Carr.)
76	363464X1	AR	Bolt (5/8 x 2-3/4" NC, Carr.)
	364987X1	AR	Bolt (5/8 x 3-1/4" NC, Carr.)
78	368933X1	AR	Washer (21/32 x 1-1/2 x 3/16")
79	353433X1	AR	Washer (5/8" Lock)

Item	Part Number	Qty	Description
80	375099X1	AR	Nut (5/8" NC, Hex.)
81	134407M1	AR	Washer, Flat
82	10916X	AR	Washer (41/64 x 1-1/4 x 1/32")
83	134408M1	AR	Washer, Flat

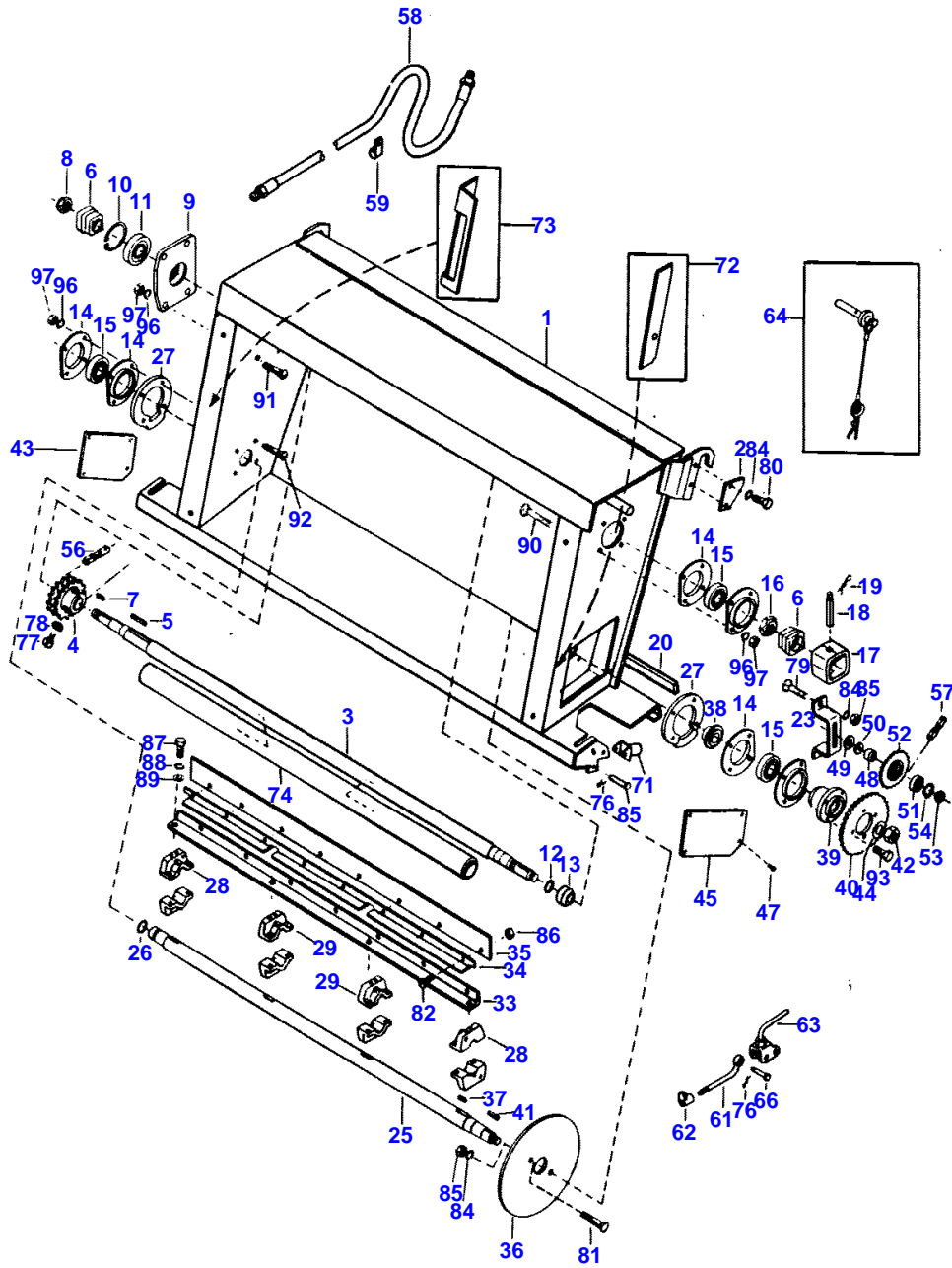
\*\*\*\*\*

(A) - Quantity Of 10 Required For  
Difficult Feeding Conditions On Grain  
Elevator.

10

ELEVATOR EXTENSION

1636 005-1



\*1ST PRINT

651 558 M92 (ISSUE 1) 3/89

**Buy Now**



Our support email:

[ebooklibonline@outlook.com](mailto:ebooklibonline@outlook.com)