

Page Title	Page Number
PUBLICATION INFORMATION	0
ENGINE ATTACHING - ENGINE & SUPPORT	24
ENGINE ATTACHING - PTO GROUP-ENGINE LH	26
ENGINE ATTACHING - AIR CLEANER	28
ENGINE ATTACHING - ETHER STARTING AID	30
ENGINE ATTACHING - RADIATOR, OIL COOLER, FAN	32
ENGINE ATTACHING - ROTARY SCREEN, DEFLECTOR	36
ENGINE ATTACHING - EXHAUST	38
ENGINE ATTACHING - EMISSION	40
ENGINE ATTACHING - FUEL FILTER & LINES	42
ENGINE ATTACHING - ROTARY SCREEN	44
ENGINE ATTACHING - FUEL TANK & LINES	46
ELECTRICAL & INSTRUMENTS - ENGINE GROUP ELECTRICAL	48
ELECTRICAL & INSTRUMENTS - INSTRUMENTS & GAUGES, PANEL	52
ELECTRICAL & INSTRUMENTS - INSTRUMENTS & GAUGES, CONSOLE	54
ELECTRICAL & INSTRUMENTS - MODULES, UPPER CONSOLE	56
ELECTRICAL & INSTRUMENTS - LIGHTING	60
ELECTRICAL & INSTRUMENTS - RADIO	62
ELECTRICAL & INSTRUMENTS - MONITORING SYSTEMS, DIGITAL	64
ELECTRICAL & INSTRUMENTS - LIGHTING	66
ELECTRICAL & INSTRUMENTS - STARTING MOTOR COMPONENTS	68
ELECTRICAL & INSTRUMENTS - WINDSHIELD WIPER	72
ELECTRICAL & INSTRUMENTS - ALTERNATOR - 130 AMP, DELCO	74
ELECTRICAL & INSTRUMENTS - BATTERY	76
ELECTRICAL & INSTRUMENTS - ELECTRICAL SENSORS	78
FEEDER - HOUSING	82
FEEDER - SHIELD	84
FEEDER - LATCH, HEADER	86
FEEDER - PIVOT SHAFT, HEADER	88
FEEDER - CONVEYOR, FRONT	90
FEEDER - COUNTERSHAFT, FIXED SPEED HEADER DRIVE	92
FEEDER - COUNTERSHAFT, VARIABLE SPEED CORN HEAD DRIVE	94
FEEDER - IDLER, RH PIVOT DRIVE	96
FEEDER - IDLER SHAFT, FIXED SPEED HEADER DRIVE	98
FEEDER - IDLER, VARIABLE SPEED CORN HEAD DRIVE	100
FEEDER - PIVOT SHAFT, FIXED SPEED HEADER DRIVE	102
FEEDER - PIVOT SHAFT, VARIABLE SPEED CORN HEAD DRIVE	104
FEEDER - PIVOT SHAFT IDLER, LEFT HAND	106
FEEDER - FEED FLOOR, EFF. S/N W65101	108
SEPARATOR - HOUSING	110
SEPARATOR - JACKSHAFT, ELEVATOR	112
SEPARATOR - TAILINGS ELEVATOR	114
SEPARATOR - TAILINGS CONVEYOR	118
SEPARATOR - TAILINGS, CHUTE	120
SEPARATOR - TAILINGS, IDLER	122
SEPARATOR - STRAW WALKER, HOUSING	124
SEPARATOR - STRAW WALKER, DRIVES	128
SEPARATOR - STRAW WALKER, DRIVE IDLER	132
SEPARATOR - CORN CURTAIN, FIELD SERVICE KIT	134
SEPARATOR - WINDROW CONVERGER	136
SEPARATOR - FAN, HOUSING	138
SEPARATOR - GRAIN CONVEYOR	140
SEPARATOR - FAN	142
SEPARATOR - CLEANER SHOE, DRIVE & HANGERS	144
SEPARATOR - FAN, IDLER	146
SEPARATOR - CLEANER SHOE, IDLER	148
SEPARATOR - CLEANER SHOE, HOUSING	150
SEPARATOR - SLIDER BED	156
SEPARATOR - BELT SEAL	158
PROCESSOR - MAIN CLUTCH SHAFT	160
PROCESSOR - MAIN DRIVE IDLER	164
PROCESSOR - REAR CONVEYOR FLOOR	166
PROCESSOR - REAR FEED CONVEYOR, SHAFT	168
PROCESSOR - REAR FEED CONVEYOR, DRIVE BELT IDLERS	170
PROCESSOR - CONVEYOR, REAR	172
PROCESSOR - CONVEYOR, REAR, SHAFT-BELT	174
PROCESSOR - FEED REVERSER	176
PROCESSOR - FEED REVERSER, CLUTCH ASSEMBLY	178

TABLE OF CONTENT

PROCESSOR - FEED REVERSER, TORQUE MOTOR ASY.	180
PROCESSOR - HOUSING	182
PROCESSOR - CONCAVE, INDICATOR	186
PROCESSOR - CONCAVE	188
PROCESSOR - CYLINDER, 8680 PRIOR S/N HL86101	192
PROCESSOR - CYLINDER, 8680 EFF. S/N HL86101	196
PROCESSOR - STONE TRAP	200
PROCESSOR - ACCELERATOR ROLL & DRIVE	202
PROCESSOR - GEARBOX W/O LUBE HOSE, SERVICE COMPONENTS	204
PROCESSOR - GEARBOX W/LUBE HOSE, SERVICE COMPONENTS	212
PROCESSOR - GEARBOX, INPUT SHEAVE AND CAM	220
PROCESSOR - BEATERS	222
PROCESSOR - IDLER, FRONT BEATER	224
PROCESSOR - IDLER, REAR BEATER	226
PROCESSOR - IDLER, JACKSHAFT DRIVE	228
GRAIN BIN & ELEVATOR - GRAIN BIN, SUPPORT	230
GRAIN BIN & ELEVATOR - BIN UNLOADER, COUNTERSHAFT	234
GRAIN BIN & ELEVATOR - BIN UNLOADER, SWIVEL UNLOADER,	236
GRAIN BIN & ELEVATOR - BIN UNLOADER, SWIVEL UNLOADER,	238
GRAIN BIN & ELEVATOR - BIN UNLOADER IDLER, BIN UNLOADER	240
GRAIN BIN & ELEVATOR - BIN UNLOADER, CYLINDER	242
GRAIN BIN & ELEVATOR - GRAIN ELEVATOR, DRIVE & IDLER	244
GRAIN BIN & ELEVATOR - BIN LOADER, SHEET METAL	246
GRAIN BIN & ELEVATOR - BIN LOADER, AUGER AND DRIVES	250
GRAIN BIN & ELEVATOR - BIN UNLOADER, CONVEYOR VERTICAL	254
GRAIN BIN & ELEVATOR - BIN UNLOADER, CONVEYOR HORIZONTAL	258
GRAIN BIN & ELEVATOR - BIN UNLOADER, CONVEYOR, SWIVEL	262
GRAIN BIN & ELEVATOR - BIN UNLOADER, UNLOADING TUBE, TURRET	266
GRAIN BIN & ELEVATOR - BIN UNLOADER, UNLOADING TUBE, SWIVEL	268
GRAIN BIN & ELEVATOR - GRAIN BIN, SHEET METAL	272
GRAIN BIN & ELEVATOR - GRAIN BIN, BOLTED	280
GRAIN BIN & ELEVATOR - GRAIN BIN, EXTENSION	282
GRAIN BIN & ELEVATOR - GRAIN ELEVATOR	284
SHIELDS - LEAF SCREEN	286
SHIELDS - SHIELDS, LEFT HAND	288
SHIELDS - SHIELDS, LEFT HAND	294
SHIELDS - SHIELDS, RIGHT HAND	296
SHIELDS - SHIELD ASY., RIGHT HAND	300
SHIELDS - SHIELDS, MUD	302
SHIELDS - SHIELDS, RIGHT HAND LOWER	306
SHIELDS - SHIELD ASY., COMPONENTS, RIGHT HAND	308
SPREADER & CHOPPER - SPREADER, TAILPLATE & FINS	310
SPREADER & CHOPPER - SPREADER DRIVE, IDLER	312
SPREADER & CHOPPER - SPREADER DRIVE	314
SPREADER & CHOPPER - GUARD AND SPREADER	316
SPREADER & CHOPPER - STRAW CHOPPER	318
SPREADER & CHOPPER - STRAW CHOPPER, HOUSING	320
SPREADER & CHOPPER - STRAW CHOPPER, ROTOR	322
SPREADER & CHOPPER - STRAW CHOPPER, DRIVES	324
REAR LADDER GROUP - REAR LADDER	330
HYDRAULICS - LINES & FITTINGS, REEL SPEED	332
HYDRAULICS - LINES & FITTINGS, REAR WHEEL ASSIST	334
HYDRAULICS - LINES & FITTINGS, REEL LIFT	336
HYDRAULICS - LINES & FITTINGS, TRANSMISSION	338
HYDRAULICS - LINES & FITTINGS, POWER STEERING	342
HYDRAULICS - LINES & FITTINGS, VALVE SUPPLY, VARIABLE SPEED	344
HYDRAULICS - LINES & FITTINGS, VARIABLE SPEED CORN HEAD DRIVE	346
HYDRAULICS - LINES & FITTINGS, STEERING PRIORITY VALVE	348
HYDRAULICS - LINES & FITTINGS, HEADER LIFT	350
HYDRAULICS - LINES & FITTINGS, RESERVOIR, FILTER & COOLER	352
HYDRAULICS - LINES & FITTINGS, HYDRAULIC PUMP	354
HYDRAULICS - LINES & FITTINGS, POWER STEERING CONTROL PUMP	356
HYDRAULICS - PUMP COMPONENTS, STEERING CONTROL PUMP (EATON),	358
HYDRAULICS - PUMP COMPONENTS, STEERING CONTROL PUMP	360
HYDRAULICS - PUMP COMPONENTS, STEERING CONTROL PUMP	362
HYDRAULICS - RESERVOIR	364
HYDRAULICS - ACCUMULATOR	366
HYDRAULICS - VALVE STACK & MOUNTING	368
HYDRAULICS - VALVE, UNLOADER RELIEF	370
.....	---

TABLE OF CONTENT

HYDRAULICS - VALVE, BIN UNLOADER	3/2
HYDRAULICS - VALVE, AUGER SWING	374
HYDRAULICS - VALVE, HEADER LIFT	376
HYDRAULICS - VALVE, VARI-SPEED CYLINDER, REEL LIFT	378
HYDRAULICS - VALVE, FEED REVERSER	380
HYDRAULICS - CYLINDER, AUGER SWING	382
HYDRAULICS - HYDRAULIC PUMP, PUMP COMPONENTS	384
HYDRAULICS - CYLINDER, HEADER LIFT	386
HYDRAULICS - CYLINDER, MASTER BRAKE	388
TRANSMISSION, AXLES & WHEELS - AXLE, FRONT	390
TRANSMISSION, AXLES & WHEELS - TRANSMISSION, GEAR & HYDRO,	392
TRANSMISSION, AXLES & WHEELS - BRAKE, DISC	394
TRANSMISSION, AXLES & WHEELS - FINAL DRIVE	396
TRANSMISSION, AXLES & WHEELS - REAR AXLE, REAR WHEEL ASSIST	400
TRANSMISSION, AXLES & WHEELS - REAR AXLE & WHEELS, ADJUSTABLE	404
TRANSMISSION, AXLES & WHEELS - FINAL DRIVE, AXLE RISERS	408
TRANSMISSION, AXLES & WHEELS - TRANSMISSION, GEAR & HYDRO,	410
TRANSMISSION, AXLES & WHEELS - TRANSMISSION, GEAR, PRESSURE	412
TRANSMISSION, AXLES & WHEELS - TRANSMISSION, GEAR, INPUT	416
TRANSMISSION, AXLES & WHEELS - TRANSMISSION, GEAR,	418
TRANSMISSION, AXLES & WHEELS - TRANSMISSION, GEAR,	420
TRANSMISSION, AXLES & WHEELS - MOTOR, HYDRO, COMPONENTS	422
TRANSMISSION, AXLES & WHEELS - PUMP, HYDRO, COMPONENTS	424
TRANSMISSION, AXLES & WHEELS - PUMP, HYDRO, COMPONENTS	426
TRANSMISSION, AXLES & WHEELS - PUMP, HYDRO, COMPONENTS	428
TRANSMISSION, AXLES & WHEELS - PUMP, HYDRO, COMPONENTS	430
TRANSMISSION, AXLES & WHEELS - PUMP, HYDRO, COMPONENTS	432
TRANSMISSION, AXLES & WHEELS - PUMP, HYDRO, COMPONENTS	434
TRANSMISSION, AXLES & WHEELS - TRANSMISSION, HYDRO, DRIVE	436
TRANSMISSION, AXLES & WHEELS - REAR AXLE & WHEELS, REAR WHEEL	438
TRANSMISSION, AXLES & WHEELS - REAR AXLE & WHEELS, REAR WHEEL	440
TRANSMISSION, AXLES & WHEELS - REAR AXLE & WHEELS, REAR WHEEL	442
TRANSMISSION, AXLES & WHEELS - REAR AXLE AND WHEELS, REAR	444
TRANSMISSION, AXLES & WHEELS - WHEELS, DRIVE, ADJUSTABLE, RWA	446
TRANSMISSION, AXLES & WHEELS - DUAL WHEELS	448
TRANSMISSION, AXLES & WHEELS - STABILIZER PADS, ADJUSTABLE	450
CAB - CONTROL, PARK BRAKE	452
CAB - CONTROL, GEARSHIFT	454
CAB - FRAME	456
CAB - WINDOWS & DOORS	458
CAB - TRIM	460
CAB - CONSOLE	462
CAB - AIR FILTER	464
CAB - AIR CONDITIONER, LINES	466
CAB - AIR CONDITIONER, COMPRESSOR, PRIOR S/N X65101	468
CAB - AIR CONDITIONER, COMPRESSOR, EFF. S/N X65101	470
CAB - HEATER	472
CAB - BRAKE, LINE GROUP	474
CAB - CONTROL, BRAKE	476
CAB - SEAT, OPERATOR & INSTRUCTOR, TYPE I	478
CAB - SEAT, OPERATOR & INSTRUCTOR, TYPE II	480
CAB - SEAT, CUSHIONS & ARMRESTS, TYPE I	482
CAB - SEAT, CUSHIONS AND ARMREST, TYPE II	486
CAB - SEAT, BASE & SUSPENSION, TYPE I	490
CAB - SEAT, BASE & SUSPENSION, TYPE II	494
CAB - MIRRORS	498
CAB - PRESSURIZER, HOUSING, EVANS TEMP CON, PRIOR S/N 27011	500
CAB - PRESSURIZER, HOUSING, EVANS TEMP CON, EFF. S/N 28001	502
CAB - PRESSURIZER, BLOWER ASY., EVANS TEMP CON, PRIOR S/N	504
CAB - PRESSURIZER, BLOWER ASY., EVANS TEMP CON, EFF. S/N 27011	506
CAB - CONTROL, HYDROSTATIC	508
CAB - CONTROL, THROTTLE	510
CAB - STEERING COLUMN	512
CAB - CONTROL, FAN	514
CAB - PLATFORM & FRONT LADDER	516
CAB - PLATFORM & FRONT LADDER, DECK EXTENSION &, EXTREMITY	518
CAB - POWERFOLD LADDER	522
DECALS	524
DRIVES	526
LATERAL TILT - HOUSING	528

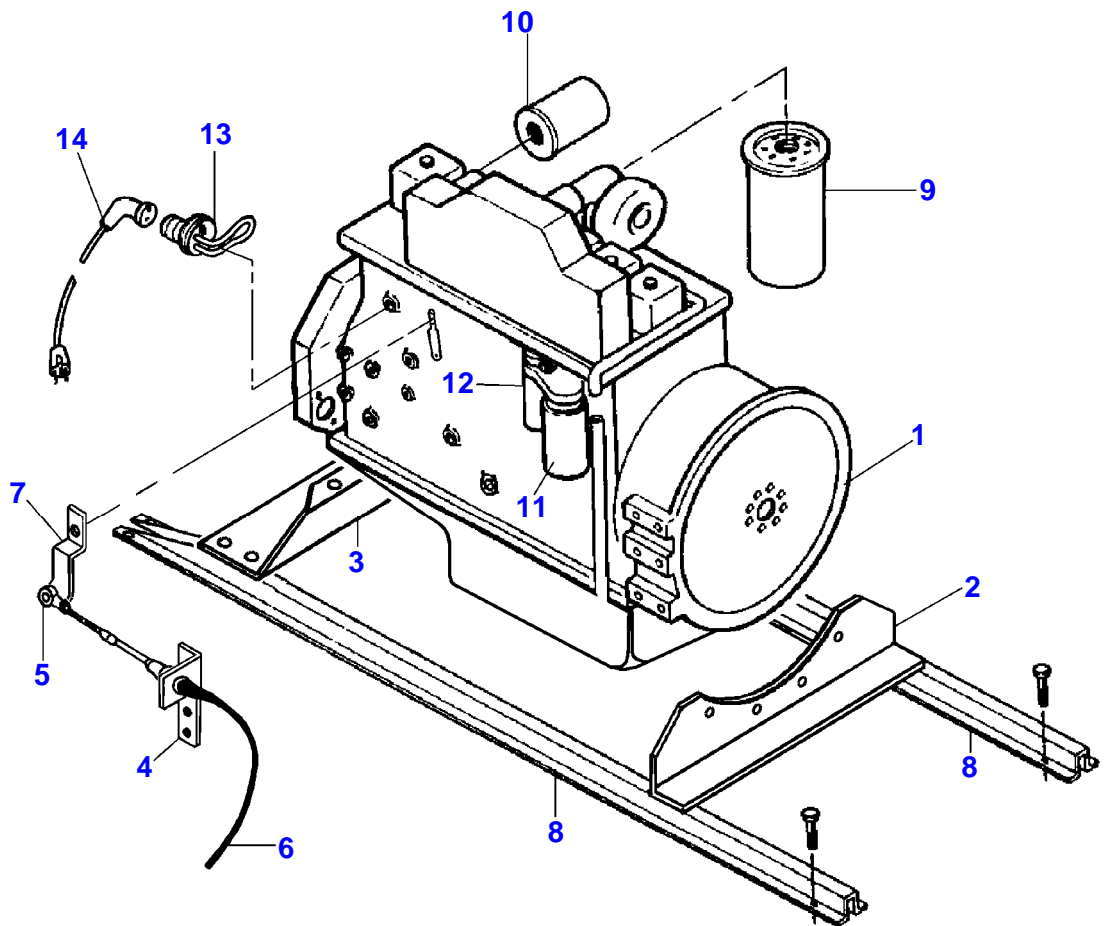
TABLE OF CONTENT

LATERAL TILT - ANCHOR, LEFT HAND, RIGHT HAND	530
LATERAL TILT - HYDRAULIC CYLINDER	532
LATERAL TILT - SWITCH	534
LATERAL TILT - HYDRAULIC LINES	536
LATERAL TILT - HYDRAULIC PUMP	538
LATERAL TILT - VALVE	540
LATERAL TILT - HEADER CONTROL SYSTEM	542
RECOMMENDED DEALER STOCK	544

24

MF 8680 COMBINE
ENGINE ATTACHING

ENGINE & SUPPORT



71380695
GC00236

ENGINE ATTACHING - ENGINE & SUPPORT

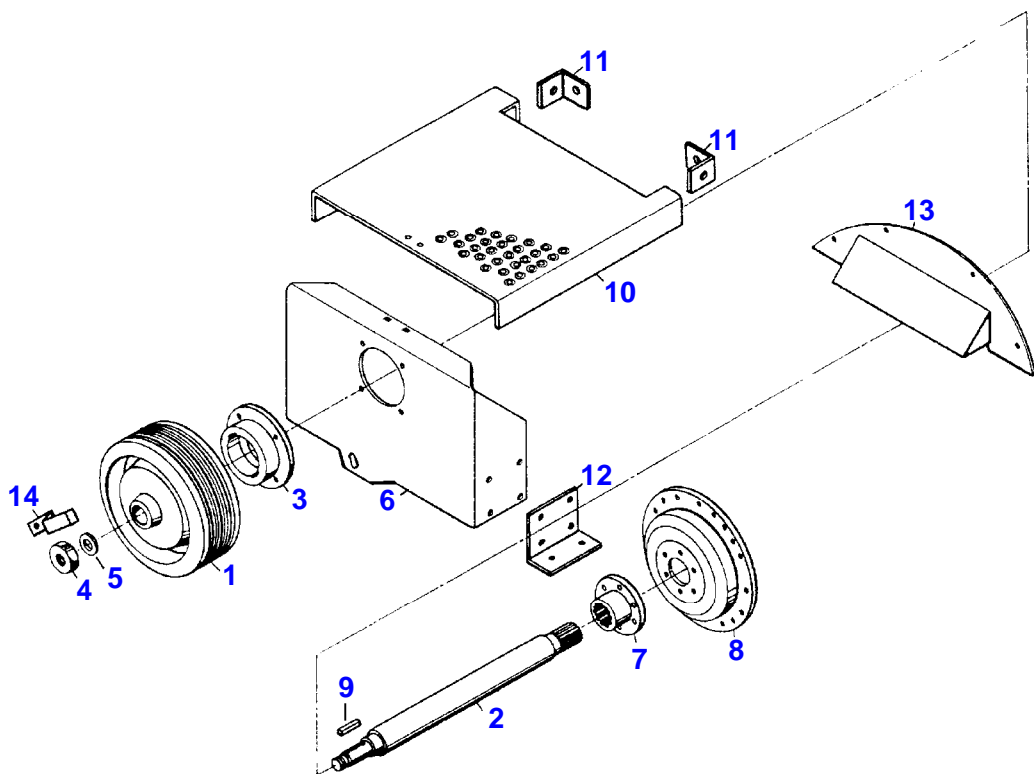
Item	Part Number	Qty	Description
1	71381270	1	ENGINE ASY., CUMMINS "C"
2	71380680	1	SUPPORT, ENGINE LH
	7701592	2	CAPSCREW, 1/2-13 X 1
	70950220	4	WASHER, LOCK, M10
	70950036	4	CAPSCREW, M10-1.5 X 25
3	71380683	1	SUPPORT, ENGINE RH WLMT
	7701592	4	CAPSCREW, 1/2-13 X 1
	70931187	2	NUT, WHIZ 1/2-13
	70934656	2	CAPSCREW, 1/2-13 X 1-1/2
4	71374632	1	BRACKET, THROTTLE CABLE
	70950220	2	WASHER, LOCK, M10
	70950036	2	CAPSCREW, M10-1.5 X 25
5	71314999	1	JOINT, BALL ROD END
	70914192	1	NUT, HEX 1/4-28
	70916964	1	WASHER, LOCK, 1/4
6	71380943	1	CABLE, THROTTLE
7	71374647	1	LEVER, THROTTLE
	1102797	2	WASHER, LOCK M6
	70950000	2	CAPSCREW, M6 X 12
8	71380686	2	SUPPORT WLMT, RAIL ENGINE
	70920272	8	CAPSCREW, 1/2-13 X 5
	Y705046	8	WASHER, LOCK 1/2
	704031	8	NUT, 1/2-13
9	72501533	1	FILTER ASY., OIL
10	71372880	1	FILTER, COOLANT
11	72501530	1	FILTER, FUEL
12	72501531	1	FILTER, FUEL, WATER SEPARATOR
13	3918597	1	HEATER, ENG. ASY. 120V 1000W
14	3913106	1	CABLE, ENG. HEAT

GC00236

26

MF 8680 COMBINE
ENGINE ATTACHING

PTO GROUP-ENGINE LH



71380693

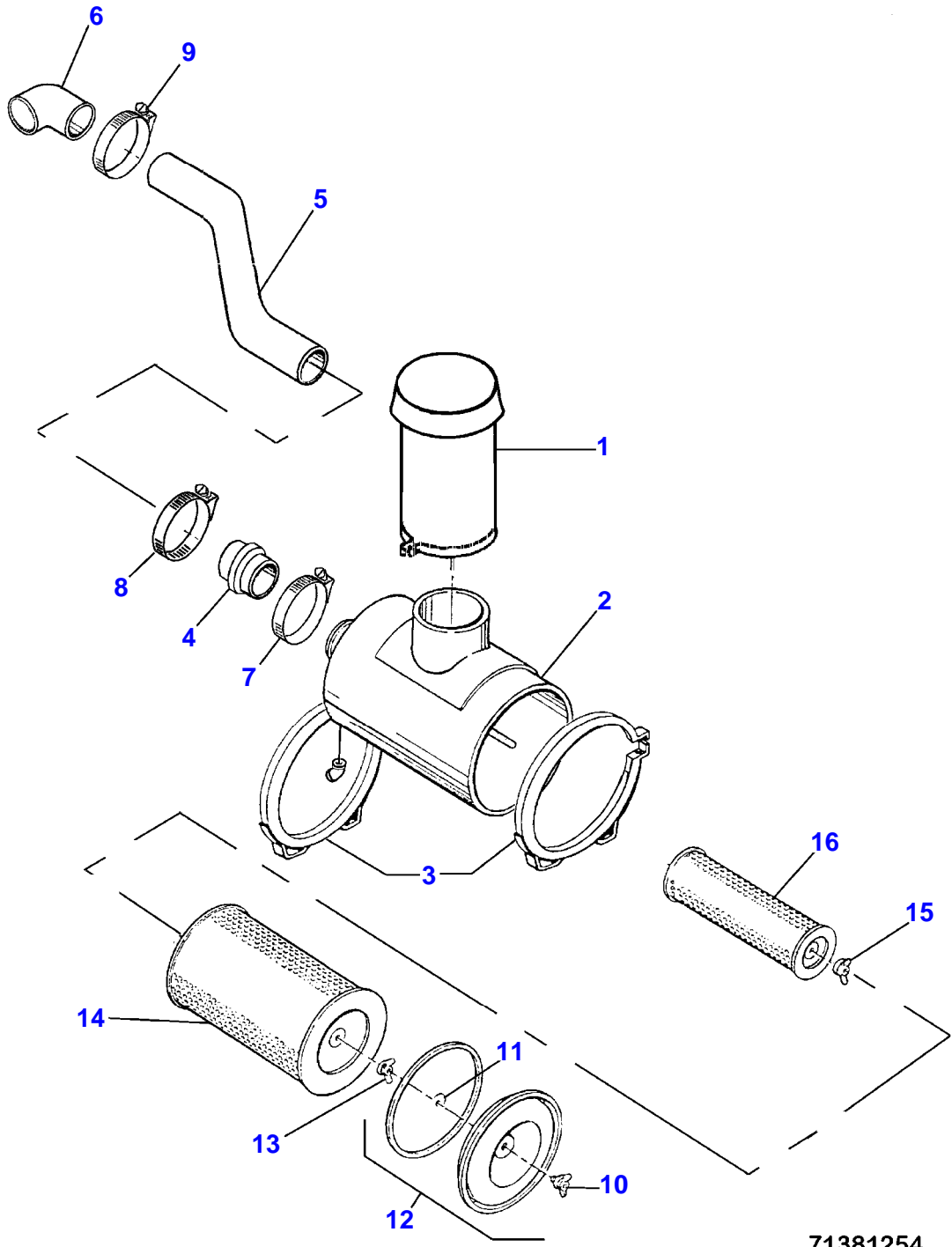
Item	Part Number	Qty	Description
1	71368240	1	SHEAVE LH PTO (PRIOR S/N X65101)
	71378639	1	SHEAVE LH PTO (EFF. S/N X65101)
2	71368729	1	SHAFT LH PTO (PRIOR S/N X65101)
	71378640	1	SHAFT LH PTO (EFF. S/N X65101)
	79014634	AR	PRIMER T 192
	70930235	AR	LOCTITE, 609
3	71362173	1	*HOUSING ASY. (INCLUDES BEARING)
	71141190	1	BEARING *(PRIOR S/N X65101)
	71376948	1	**HOUSING ASY. (INCLUDES BEARING)
	71154722	1	BEARING **(EFF. S/N X65101)
	70916965	4	WASHER, LOCK, 3/8
	70921210	4	CAPSCREW, 3/8
4	70925284	1	NUT, 1-1/2-12
5	70928136	1	WASHER, FLAT, HDN 1-9/16 ID-3
6	71380679	1	SUPPORT-PTO LH
7	71356026	1	HUB-FLEX COUPLING
	70916965	6	WASHER, LOCK, 3/8
	70921210	6	CAPSCREW, 3/8
8	71350634	1	COUPLING
	70916965	10	WASHER, LOCK, 3/8
	70921965	8	CAPSCREW, 3/8
9	71178962	1	KEY DRIVE
10	71369680	1	SHIELD WLMT PTO
11	71353159	2	CLIP SHIELD
	70916965	2	WASHER, LOCK, 3/8
	70921210	2	CAPSCREW, 3/8
	70950220	2	WASHER, LOCK 10 MM
	70917378	4	WASHER, 3/8
	70916950	2	NUT, REG, 3/8
	70950036	2	CAPSCREW, M10-1.5 X 25
12	71353565	2	BRACKET LH PT
	7701592	4	CAPSCREW, 1/2
	70916965	8	WASHER, LOCK, 3/8
	70921210	8	CAPSCREW, 3/8
	70916950	8	NUT, REG, 3/8
13	71366440	1	FLYWHEEL COVER
	70950220	4	WASHER, LOCK 10 MM
	1112407	4	CAPSCREW, M10 X 20
14	71365571	1	SCRAPER
	70916965	2	WASHER, LOCK, 3/8
	70921210	2	CAPSCREW, 3/8
	70916950	2	NUT, REG, 3/8
	70917378	2	WASHER, 3/8

71380693

28

MF 8680 COMBINE
ENGINE ATTACHING

AIR CLEANER



71381254

ENGINE ATTACHING - AIR CLEANER

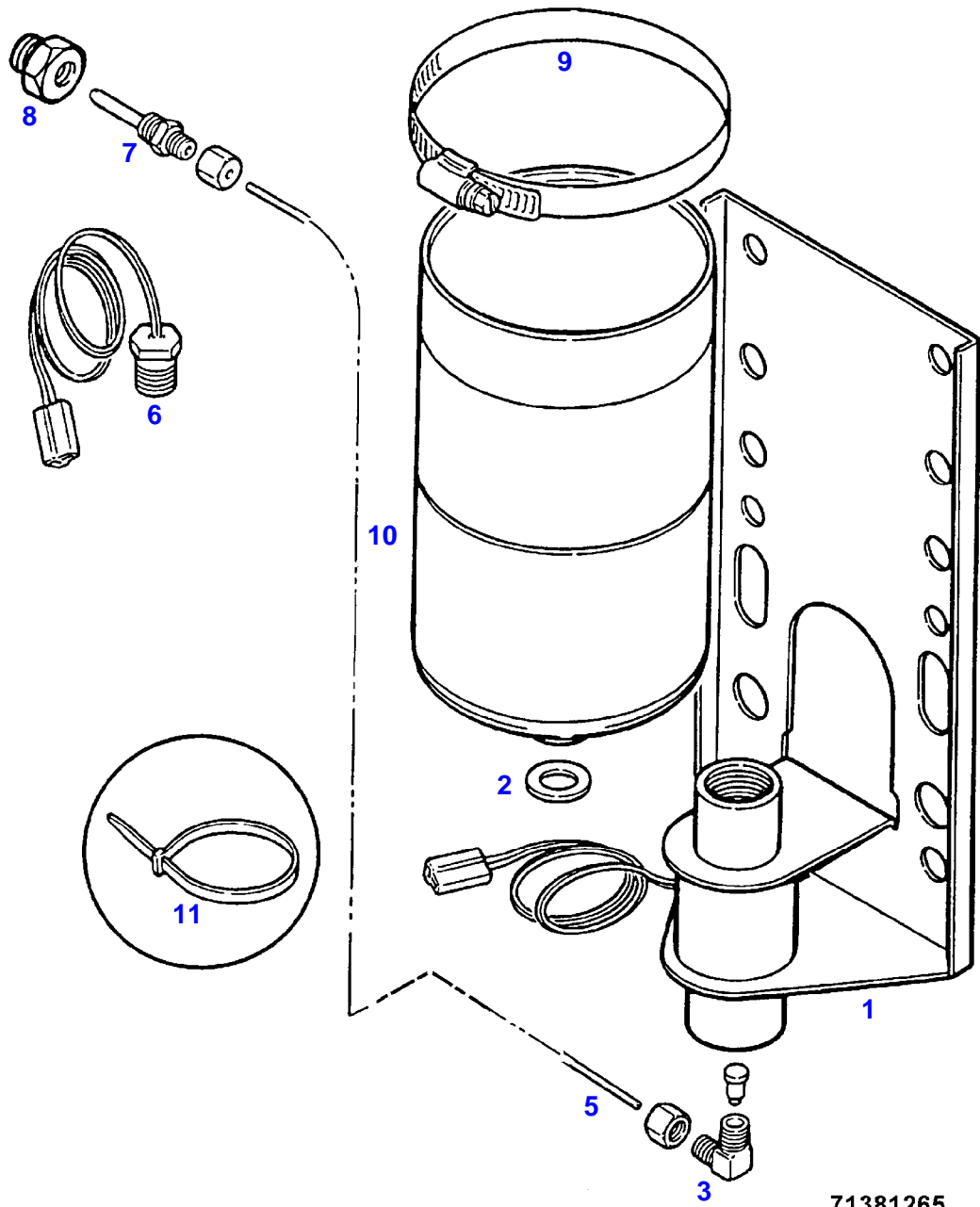
Item	Part Number	Qty	Description
1	2577893W91	1	PRE-CLEANER, AIR
2	71383233	1	AIR CLEANER ASY.
	70921210	4	CAPSCREW, 3/8 X 1-16
	70916965	4	WASHER, LOCK, 3/8
3	71368952	2	BAND, CLEANER MOUNTING
4	2632680W1	1	HOSE, HUMP REDUCING 6-5
5	71383234	1	TUBE, AIR-INTAKE 5.0I
6	71351859	1	ELBOW, 90 DEG. 5-4
7	700717761	1	CLAMP, HOSE T-BOLT 6-1/2
8	72160993	2	CLAMP, HOSE T-BOLT 5-1/2
9	72161280	1	CLAMP, T-BOLT, 4-1/2
10	70269253	1	NUT
11	70930751	1	CLIP
12	71368963	1	COVER ASY., (INCL. NUT, CLIP & GASKET)
	71369877	1	GASKET, COVER
13	70269246	1	NUT ASY.
14	71368961	1	ELEMENT
15	70257297	1	NUT ASY., SAFETY
16	71368962	1	ELEMENT, SAFETY

71381254

30

MF 8680 COMBINE
ENGINE ATTACHING

ETHER STARTING AID

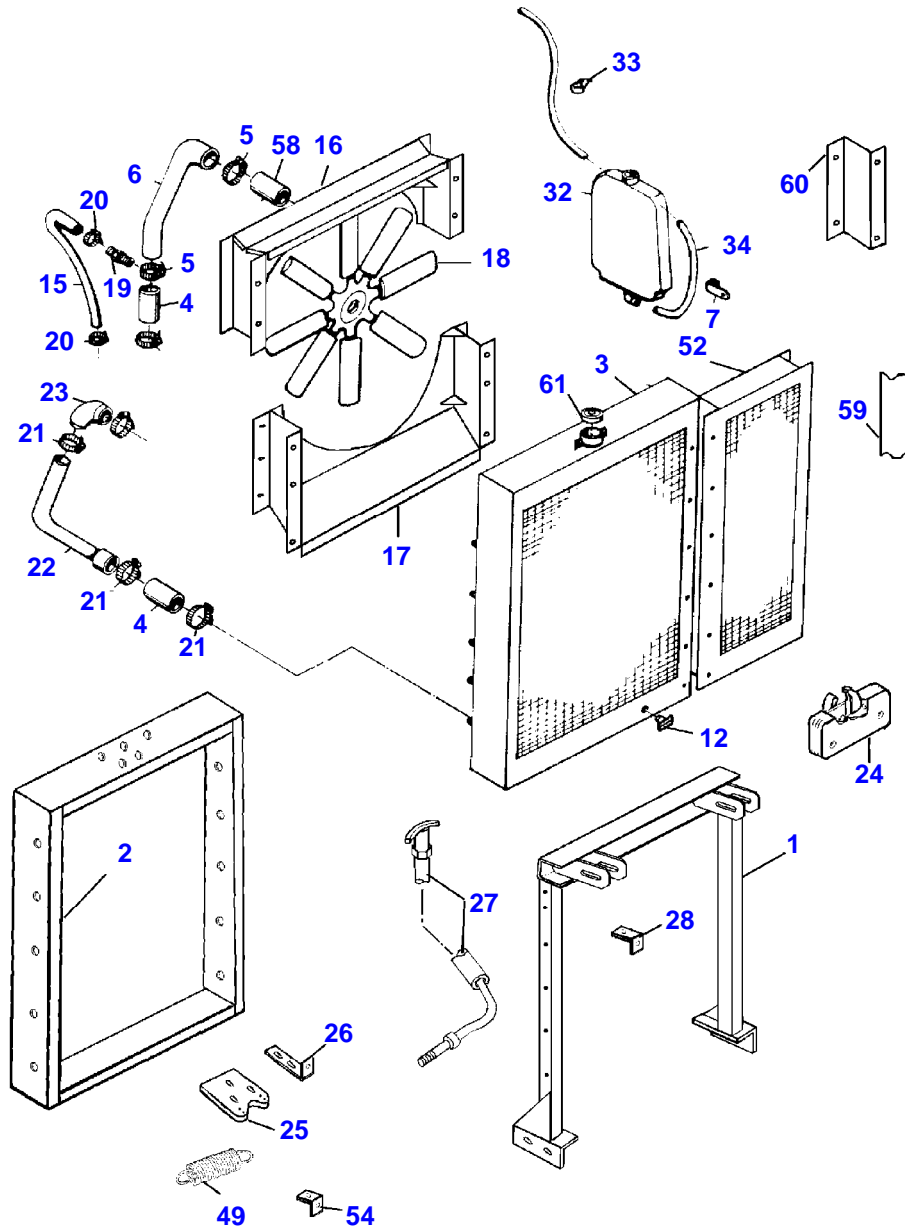


Item	Part Number	Qty	Description
		-	KIT, ETHER STARTING AID (ORDER THRU DEALER CENTRAL)
1	74057948	1	BRACKET ASY.
	70921332	4	CAPSCREW, 5/16-18 X 3/4
	70917642	4	WASHER, 3/8 X 7/8 X 14 GA.
	70917356	4	WASHER, LOCK 5/16
	70917372	4	NUT, 5/16-18
2	74057949	1	GASKET
3	74057950	1	BLOCKER ASY. (INCL NUT & SCREEN)
4		-	NOT USED
5	72163207	1	TUBE, ETHER
6	71367039	1	SWITCH, TEMPERATURE
7	71351965	AR	NOZZLE ASY.
8	70933965	1	BUSHING, NOZZLE
9	70922200	1	CLAMP, CYLINDER MOUNTING
10	74009959	1	CYLINDER, FLUID
11	70925094	2	TIE
	79014628	AR	SEALANT
	79014634	AR	PRIMER, SURFACE
			71381265

32

MF 8680 COMBINE
ENGINE ATTACHING

RADIATOR, OIL COOLER, FAN



71381257

Item	Part Number	Qty	Description
1	71381463	1	HINGE, SUP WLMT
	70923240	4	CAPSCREW, 1/2-13 X 2-3/4
	Y705046	4	WASHER, LOCK 1/2
	704031	4	NUT, 1/2-13
	70916965	10	WASHER, LOCK 3/8
	70923701	10	CAPSCREW, 3/8-16 X 2
	70917378	10	WASHER, FLAT 3/8
	70916950	10	NUT, HEX 3/8-16
2	71381478	1	SHROUD WLMT, ROTARY SCREEN TO RADIATOR
	70916965	10	WASHER, LOCK 3/8
	70916950	10	NUT, HEX 3/8-16
3	71381504	1	RADIATOR ASY.
	70917377	5	WASHER, FLAT 1/4
	70916964	5	WASHER, LOCK, 1/4
	70923341	5	CAPSCREW, 1/4-20 X 3/4
	70916965	10	WASHER, LOCK 3/8
	70916950	10	NUT, HEX 3/8-16
	70931187	2	NUT, FLANGE SERRATED 1/2
	7701592	2	CAP, FLANGE SERRATED 1/2-13 X 1
4	71367037	2	SLEEVE, RADIATOR TO ENGINE
5	71366540	4	CLAMP, CONSTANT TORQUE
6	71380689	1	TUBE, ENGINE TO RADIATOR
7	70925755	1	CLAMP, S8
12	70933036	1	VALVE, DRAIN
15	71367031	1	HOSE, DEAREATION
16	71381484	1	SHROUD WLMT, UPPER FAN (PRIOR S/N MJ86101)
	71386326	1	SHROUD WLMT, UPPER FAN (EFF. S/N MJ86101)
	70921960	2	CAPSCREW, 1/4-20 X 1
	70916964	2	WASHER, LOCK, 1/4
	70916622	2	NUT, 1/4-20
17	71381815	1	SHROUD WLMT, LOWER FAN (PRIOR S/N MJ86101)
	71386331	1	SHROUD WLMT, LOWER FAN (EFF. S/N MJ86101)
	70921960	AR	CAPSCREW, 1/4-20 X 1
	70916964	AR	WASHER, LOCK, 1/4
	70916622	AR	NUT, 1/4-20
18	71372895	1	FAN BLADE ASY.
	70950045	4	CAPSCREW, M10 1-1/2 X 110MM
	70918267	4	WASHER, .438 NOM - .065
19	70927018	1	CONN. 3/8 X 1/4
20	70929402	2	CLAMP, HOSE WORM SAE 8 7/32 - 5/8
21	71366539	5	CLAMP
22	71383860	1	TUBE, RADIATOR TO ENGINE LOWER
23	71381274	2	HOSE, ELBOW 90 DEG.
24	72161441	1	LATCH ASY., RH
	70916964	4	WASHER, LOCK, 1-1/4
	70916622	4	NUT, 1/4-20
	70922837	4	CAPSCREW, 1/4-20 X 1-1/2
25	71382776	1	BRACKET, LATCH MOUNTING
	70931333	3	BOLT, RHSN 5/16-18 X 3/4
	70918265	3	WASHER, FLAT 5/16
	70917356	3	WASHER, LOCK 5/16
	70917372	3	NUT, HEX 5/16-18
26	71382780	1	BRACKET, CABLE SUPPLY
	70916964	2	WASHER, LOCK 1/4
	70916622	2	NUT, 1/4-20
	70931317	2	BOLT RHSN 1/4-20 X 3/4
	70918264	2	WASHER, FLAT 1/4
27	71382787	1	CABLE, ROTARY SCREEN RELEASE
	70929722	2	CLAMP SGL. 3/16 9/32 HOLE
	70923341	1	CAPSCREW, 1/4-20 X 3/4
	70916964	1	WASHER, LOCK 1/4
	70916622	1	NUT, 1/4-20
28	71382778	1	BRACKET, CABLE MOUNTING
	70916965	1	WASHER, LOCK 3/8
	70928730	1	SCREW, HH 3/8-16 X 1/2
32	71346998	1	TANK, COOLANT 5 QT.
33	70925617	1	CLAMP 1/2 X 13/32 HOLE
34	71367032	1	HOSE, COOLANT RECOVERY
49	72163326	1	SPRING
51	71382777	1	STOP WIRE, LATCH RELEASE
	70928933	1	SCREW, RD HD #10-24 X 3/8

Buy Now



Our support email:

ebooklibonline@outlook.com