

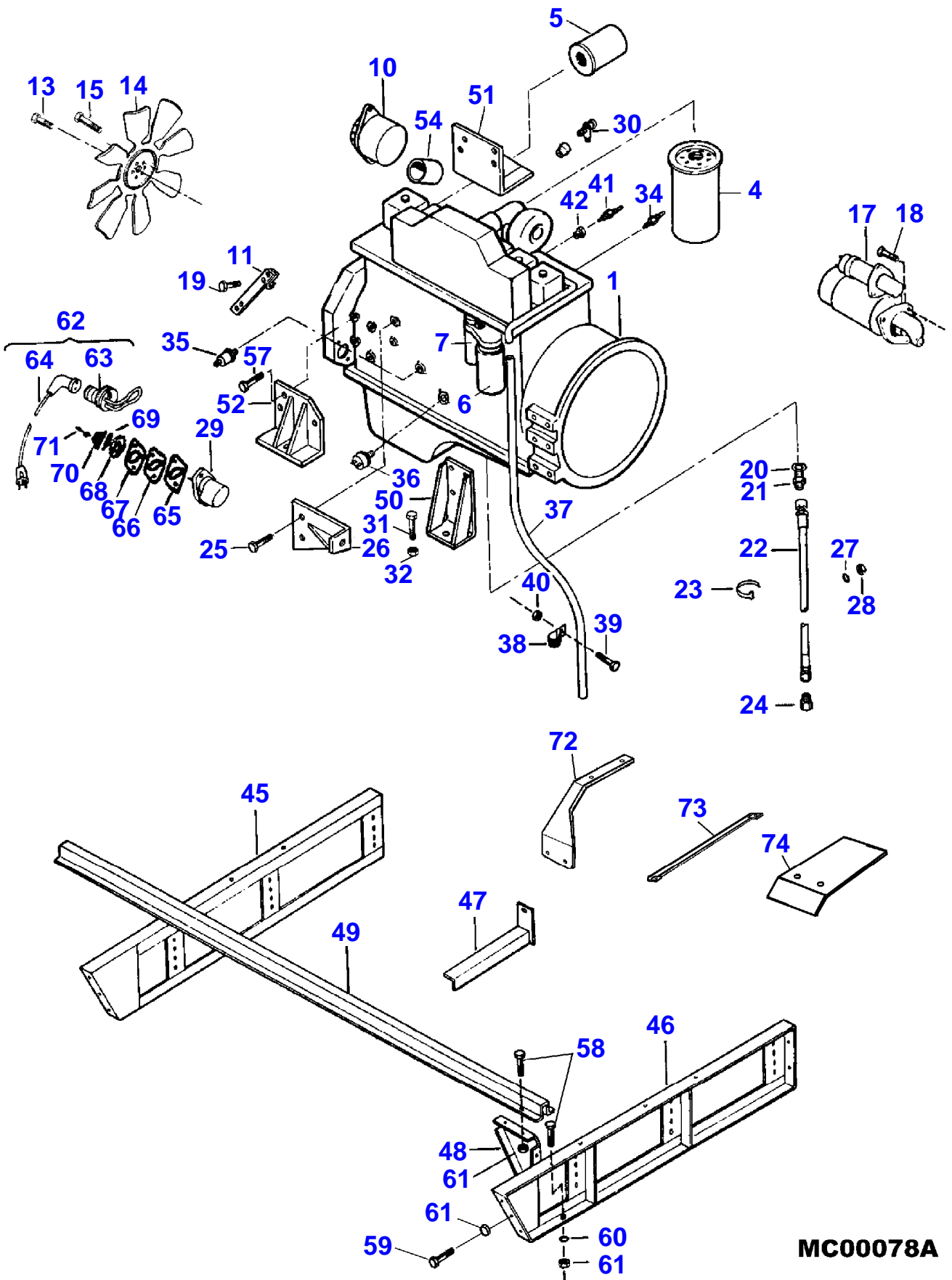
Page Title	Page Number
PUBLICATION INFORMATION	0
ENGINE - ENGINE, PRIOR S/N MJ87101	30
ENGINE - ENGINE, EFF. S/N MJ87101	36
ENGINE - AIR INTAKE AND EXHAUST, PRIOR MJ87101	40
ENGINE - AIR INTAKE, 8780 WITH QSC ENGINE, EFF. S/N MJ87101	42
ENGINE - AIR INTAKE AND EXHAUST, 8780 W/QSC ENGINE, EFF. S/N MJ87101	44
ENGINE - MAIN ENGINE DRIVES, 260HP @ 2200RPM, PRIOR S/N MJ87101	46
ENGINE - MAIN ENGINE DRIVES, QSC, EFF. S/N MJ87101	50
ENGINE - RADIATOR, OIL COOLER AND A/C CONDENSER, PRIOR S/N MJ87101	54
ENGINE - COOLING SYSTEM, QSC 285 HP, EFF. S/N MJ87101	56
ENGINE - RADIATOR SLINGER, QSC 285, EFF. S/N HK87101	62
ENGINE - ROTARY SCREEN AND DRIVE, PRIOR S/N MJ87101	64
ENGINE - ROTARY SCREEN, QSC, EFF. S/N MJ87101	70
ENGINE - ENGINE COVERS, PRIOR S/N MJ87101	72
ENGINE - ENGINE COVERS, EFF. S/N MJ87101	74
ENGINE - FUEL TANK, LINES & FUEL FILTER/WATER, PRIOR S/N MJ87101	78
ENGINE - FUEL TANK AND LINES, EFF. S/N MJ87101	82
ENGINE - ETHER STARTING	84
ELECTRICAL - ELECTRICAL HARNESS, FRONT	86
ELECTRICAL - ELECTRICAL HARNESS, REAR	92
ELECTRICAL - ENGINE AND BATTERY WIRING	96
ELECTRICAL - GRID HEATER, QSC ENGINE, EFF. S/N MJ87101	100
ELECTRICAL - CONTROL CONSOLE	102
ELECTRICAL - CAB	108
ELECTRICAL - LIGHTS	112
ELECTRICAL - WIRING HARNESS MOUNTING, BRACKETS AND CLIPS	114
ELECTRICAL - STARTER	116
ELECTRICAL - ALTERNATOR - 130AMP, PRIOR S/N X55101	120
ELECTRICAL - ALTERNATOR - 130 AMP, DELCO #1117965, EFF. S/N X55101	122
ELECTRICAL - RADIO	124
FEEDER - HOUSING	126
FEEDER - JACK	130
FEEDER - FEED FLOOR	132
FEEDER - PIVOT SHAFT	134
FEEDER - RH DRIVE	136
FEEDER - COUNTERSHAFT, CONSTANT SPEED HEADER DRIVE, 8780	138
FEEDER - COUNTERSHAFT, CONSTANT SPEED HEADER DRIVE, CE8780	140
FEEDER - LATCH, HEADER	142
FEEDER - CONVEYOR	144
FEEDER - HEADER REVERSER, LINES & FITTINGS	148
FEEDER - HEADER REVERSER, MOTOR & CLUTCH, COMPONENTS	150
PROCESSOR - FRONT BEATER	152
PROCESSOR - MAIN COUNTERSHAFT AND FRONT BEATER, DRIVES WITH SHOCK ABSORBER, PRIOR S/N W55282	156
PROCESSOR - MAIN COUNTERSHAFT, EFF. S/N HL87101	160
PROCESSOR - MAIN COUNTERSHAFT, DRIVE AND IDLER, EFF. S/N W55282	162
PROCESSOR - FRONT BEATER, DRIVE AND IDLER, EFF. S/N X55140	164
PROCESSOR - INLET HOUSING AND STONE TRAP	166
PROCESSOR - CONCAVE CONTROLS	170
PROCESSOR - CONCAVE CONTROLS, POWER CONCAVE ADJUSTMENT	176
PROCESSOR - REAR ROTOR HOUSING	178
PROCESSOR - SEPARATOR GRATES	182
PROCESSOR - ROTOR, 8780, 8780 RICE PRIOR S/N HK87101	186
PROCESSOR - ROTOR, 8780 RICE EFF. S/N HK87101	190
PROCESSOR - ROTOR GEAR BOX, 8780 PRIOR S/N HK87101, CE8780	192
PROCESSOR - ROTOR DRIVE, SHIFT LINKAGE &, 2-SPEED ROTOR GEAR BOX, 8780 NA, EFF. S/N HK87101	194
PROCESSOR - ROTOR DRIVE, 2-SPEED ROTOR GEAR BOX, 8780 NA, EFF. S/N HK87101	196
PROCESSOR - HYDROSTATIC MOTOR, ROTOR	198
CHOPPER & SPREADER - JACK SHAFT DRIVE	200
CHOPPER & SPREADER - STRAW CHOPPER DRIVE	204
CHOPPER & SPREADER - STRAW CHOPPER, ROTOR	208
CHOPPER & SPREADER - STRAW CHOPPER, REDEKOP	210
CHOPPER & SPREADER - STRAW CHOPPER, REKORD	214
CHOPPER & SPREADER - STRAW CHOPPER, REKORD, CE8780	218
CHOPPER & SPREADER - STRAW CHOPPER HOOD ASSEMBLY	222
CHOPPER & SPREADER - STRAW SPREADER, DRIVE	224
CHOPPER & SPREADER - STRAW SPREADER, COMPONENTS	228
CHOPPER & SPREADER - STRAW SPREADER, REKORD, EFF. S/N MJ87101	232

TABLE OF CONTENT

CHOPPER & SPREADER - CHAFF SPREADER, REKORD, EFF. S/N MJ87101	232
CHOPPER & SPREADER - CHAFF SPREADER, REKORD, 8780, CE8780	234
CHOPPER & SPREADER - CHAFF SPREADER, REKORD, HYDRAULICS, CE8780	236
SEPARATOR - LOWER AUGER HOUSING AND FANNING MILL	238
SEPARATOR - VARIABLE SPEED FAN DRIVE	244
SEPARATOR - SEPARATOR PAN	246
SEPARATOR - SHAKER SHOE AND SIEVES	248
SEPARATOR - PITMAN DRIVE	254
GRAIN BIN & ELEVATOR - GRAIN ELEVATOR, LOWER	258
GRAIN BIN & ELEVATOR - GRAIN ELEVATOR, UPPER	262
GRAIN BIN & ELEVATOR - RETURN ELEVATOR, LOWER	268
GRAIN BIN & ELEVATOR - RETURN ELEVATOR, UPPER, PRIOR S/N MJ87101	272
GRAIN BIN & ELEVATOR - RETURN ELEVATOR, UPPER, EFF. S/N MJ87101	276
GRAIN BIN & ELEVATOR - RETURN ELEVATOR DRIVE, EFF. S/N MJ87101	280
GRAIN BIN & ELEVATOR - UNLOADING AUGER, LOWER	282
GRAIN BIN & ELEVATOR - UNLOADING AUGER, CENTER	284
GRAIN BIN & ELEVATOR - UNLOADING AUGER, UPPER, STD AND EXTENDED	288
GRAIN BIN & ELEVATOR - UNLOADER CONTROLS	292
GRAIN BIN & ELEVATOR - GRAIN TANK	294
GRAIN BIN & ELEVATOR - GRAIN BIN COVER, CE8780 EFF. S/N MJ87134	304
GRAIN BIN & ELEVATOR - SOUND SUPPRESSION, EFF. S/N W55282	306
SHIELDS - REAR DECK AND LADDER	308
SHIELDS - SIDE SHIELDS AND LADDER	312
SHIELDS - MUDSHIELDS	318
SHIELDS - MUDSHIELDS, CE8780	326
SHIELDS - CHOPPER SHIELDS, CE8780	332
HYDRAULICS - STEERING HYDRAULICS	336
HYDRAULICS - STEERING CONTROL UNIT, COMPONENTS (EATON), PRIOR S/N HK87101	342
HYDRAULICS - PUMP COMPONENTS, STEERING CONTROL UNIT (DANFOSS), EFF. HK87101	344
HYDRAULICS - PUMP COMPONENTS, STEERING CONTROL UNIT (EATON), EFF. S/N HK87101 CE8780	346
HYDRAULICS - STEERING CYLINDER	348
HYDRAULICS - HEADER LIFT CYLINDERS	350
HYDRAULICS - UNLOADER SWING CYLINDER	352
HYDRAULICS - HYDRAULIC LINES, CE8780	354
HYDRAULICS - OIL COOLER, RESERVOIR AND LINES	356
HYDRAULICS - ROTOR PUMP, MOTOR AND LINES	360
HYDRAULICS - PROPEL PUMP, MOTOR AND LINES	362
HYDRAULICS - PRIORITY VALVE ASSEMBLY	366
HYDRAULICS - HEADER LIFT VALVE	368
HYDRAULICS - REEL DRIVE VALVE	370
HYDRAULICS - REEL LIFT VALVE	372
HYDRAULICS - FEEDER REVERSER VALVE, PRIOR S/N X55117	374
HYDRAULICS - UNLOADER SWING VALVE	376
HYDRAULICS - LATERAL TILT VALVE	378
HYDRAULICS - VALVE STACK	380
HYDRAULICS - FEEDER REVERSER VALVE, EFF. S/N X55117	382
HYDRAULICS - LATERAL TILT, SPOOL ASSEMBLY	384
HYDRAULICS - LATERAL TILT, FLOAT VALVE	386
HYDRAULICS - UNLOADER ENGAGE VALVE	388
HYDRAULICS - HYDRAULIC PUMP LINES	390
HYDRAULICS - HYDRAULIC PUMP, PRIOR S/N HK87101	396
HYDRAULICS - HYDRAULIC PUMP, EFF. S/N HK87101	398
HYDRAULICS - REEL FORE/AFT VALVE	400
HYDRAULICS - GREASE/LUBE LINES	402
TRANSMISSION, AXLES & WHEELS - HYDROSTATIC PUMPS & MOTORS, TANDEM PUMP	404
TRANSMISSION, AXLES & WHEELS - HYDROSTATIC PUMP, PROPEL, COMPONENTS 1 OF 4	406
TRANSMISSION, AXLES & WHEELS - HYDROSTATIC PUMP, PROPEL, COMPONENTS 2 OF 4	408
TRANSMISSION, AXLES & WHEELS - HYDROSTATIC PUMP, PROPEL, COMPONENTS 3 OF 4	410
TRANSMISSION, AXLES & WHEELS - HYDROSTATIC PUMP, PROPEL, COMPONENTS 4 OF 4	412
TRANSMISSION, AXLES & WHEELS - HYDROSTATIC PUMP, ROTOR, COMPONENTS 1 OF 4	414
TRANSMISSION, AXLES & WHEELS - HYDROSTATIC PUMP, ROTOR, COMPONENTS 2 OF 4	416
TRANSMISSION, AXLES & WHEELS - HYDROSTATIC PUMP, ROTOR, COMPONENTS 3 OF 4	418
TRANSMISSION, AXLES & WHEELS - HYDROSTATIC PUMP, ROTOR, COMPONENTS 4 OF 4	420
TRANSMISSION, AXLES & WHEELS - HYDROSTATIC MOTOR, PROPEL, HEAVY DUTY TRANSMISSION	422
TRANSMISSION, AXLES & WHEELS - PRESSURE LUBE & PARKING BRAKE	424
TRANSMISSION, AXLES & WHEELS - TRANSMISSION, GEAR, INPUT SHAFT & GEARS	428
TRANSMISSION, AXLES & WHEELS - TRANSMISSION, GEAR, INTERMEDIATE & MAIN SHAFT	430
TRANSMISSION, AXLES & WHEELS - TRANSMISSION, GEAR, DIFFERENTIAL	432
TRANSMISSION, AXLES & WHEELS - MAIN FRAME AND AXLE SUPPORT	434
TRANSMISSION, AXLES & WHEELS - REAR AXLE, STANDARD	436

TABLE OF CONTENT

TRANSMISSION, AXLES & WHEELS - REAR AXLE, REAR WHEEL ASSIST	440
TRANSMISSION, AXLES & WHEELS - REAR WHEEL ASSIST	444
TRANSMISSION, AXLES & WHEELS - HYDROSTATIC MOTOR, REAR WHEEL ASSIST	446
TRANSMISSION, AXLES & WHEELS - SELECTOR VALVE, LIMITER AND FLOW DIVIDER, REAR WHEEL ASSIST	448
TRANSMISSION, AXLES & WHEELS - FINAL DRIVE	450
TRANSMISSION, AXLES & WHEELS - FINAL DRIVE, CE8780	454
TRANSMISSION, AXLES & WHEELS - DISC BRAKE CYLINDER, PRIOR MJ87101	456
TRANSMISSION, AXLES & WHEELS - DISC BRAKE CYLINDER, EFF. MJ87101	458
TRANSMISSION, AXLES & WHEELS - DISC BRAKE, SERVICE COMPONENTS	460
TRANSMISSION, AXLES & WHEELS - FINAL DRIVE, ADAPTER - RICE	462
TRANSMISSION, AXLES & WHEELS - DRIVE AXLE ASSEMBLY, CE8780	464
TRANSMISSION, AXLES & WHEELS - DRUM BRAKE ASSEMBLY, CE8780	466
TRANSMISSION, AXLES & WHEELS - WHEELS, DRIVE, ADJUSTABLE, RWA	468
TRANSMISSION, AXLES & WHEELS - DUAL TIRES	470
DRIVES - BELTS, LEFT	472
DRIVES - BELTS, RIGHT	474
DRIVES - CHAINS	476
DRIVES - CHAINS, CONVEYOR	478
CAB - CAB ASSEMBLY	480
CAB - CAB INTERIOR	486
CAB - IN-CAB PRINTER	490
CAB - HEATER AND AIR CONDITIONING UNIT, LINES, FITTINGS & MOUNTING	492
CAB - HEATER AND AIR CONDITIONER UNIT, COMPONENTS	496
CAB - AIR CONDITIONER, COMPRESSOR - R134A (DELPHI/HARRISON), PRIOR TO MJ87101	500
CAB - AIR CONDITIONER, COMPRESSOR (SANDEN), EFF. S/N MJ87101, WITH QSC ENGINE	502
CAB - SEAT ASSEMBLY	504
CAB - WINDSHIELD WIPER	506
CAB - WINDSHIELD WASHER GROUP, FOR CE8780	508
CAB - CONTROL BOX	510
CAB - STEERING COLUMN	512
CAB - THROTTLE CONTROL, PRIOR S/N MJ87101	516
CAB - THROTTLE CONTROL, EFF. S/N MJ87101	518
CAB - GEAR SHIFT CONTROLS	520
CAB - HYDROSTATIC CONTROLS	522
CAB - PRESSURE INCH CONTROL, PRIOR S/N X55101	524
CAB - LADDER AND PLATFORM	528
CAB - LADDER AND PLATFORM, CE8780	532
CAB - BRAKE PEDAL & LINKAGE	536
LATERAL TILT - HOUSING	540
LATERAL TILT - ANCHOR, LEFT HAND, RIGHT HAND	544
LATERAL TILT - HYDRAULIC CYLINDER	546
LATERAL TILT - SWITCH	548
LATERAL TILT - LATERAL TILT, CE8780	550
DECALS AND LABELS - DECALS AND LABELS, 8780/CE8780	554
DECALS AND LABELS - DECALS AND LABELS, 8780/CE8780	556
DECALS AND LABELS - DECALS AND LABELS, 8780/CE8780	558
RECOMMENDED DEALER LIST - RECOMMENDED DEALER STOCK	560



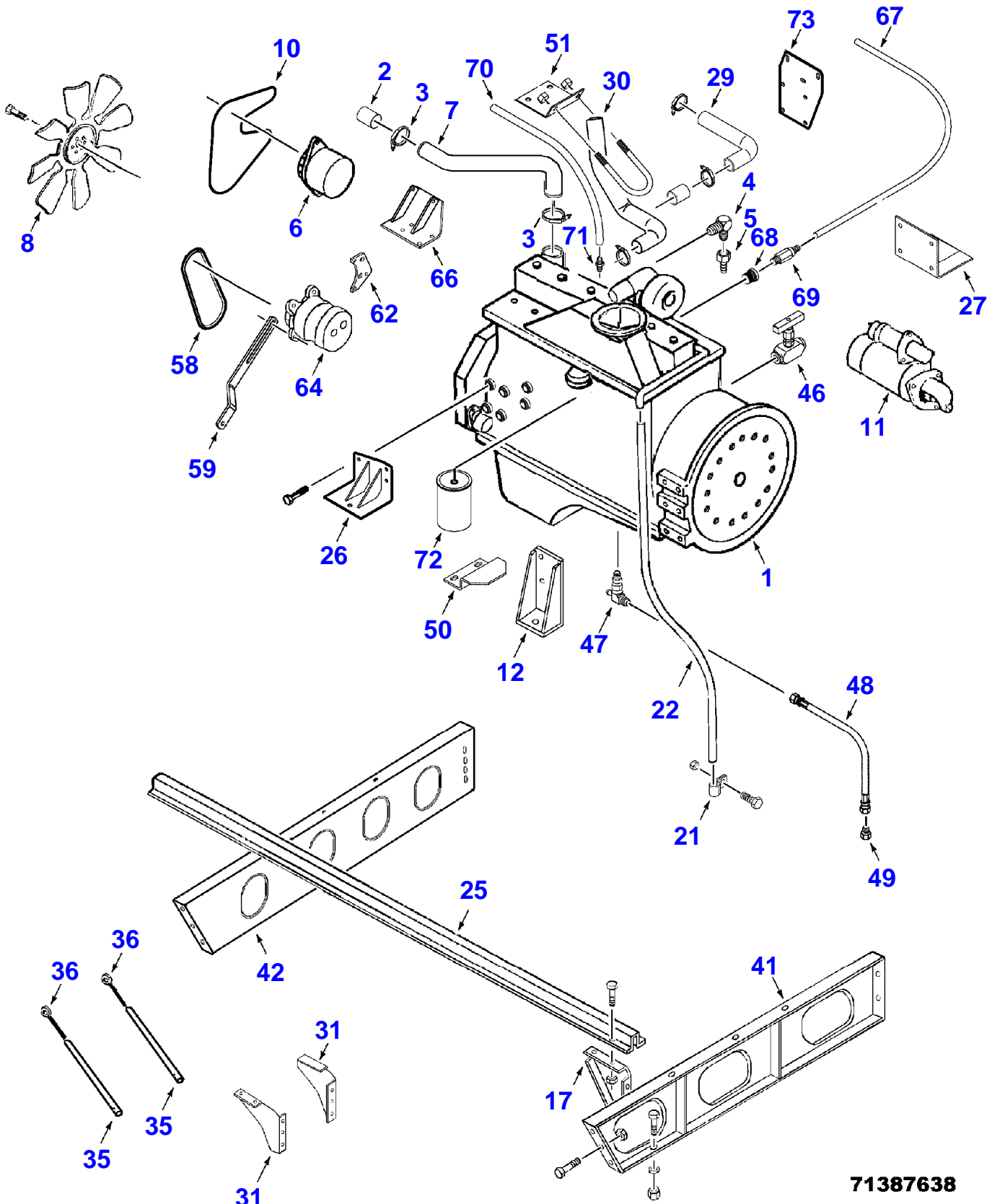
MC00078A

Item	Part Number	Qty	Description
1	108153W91	1	ENGINE ASSEMBLY CUMMINS 6CTC-8.3 (260 HP)
4	72501533	1	ELEMENT, LUBE FILTER
5	1076751M1	1	CORROSION RESISTER, PRE-CHARGE (8 UNITS) (FOR COMPLETE COOLANT REPLACEMENT) (COMPLETE COOLANT CHARGE)
	1076752M1	1	CORROSION RESISTOR, SERVICE (2 UNITS) (FOR COOLANT TOP UP) (PARTIAL COOLANT CHARGE)
6	1076748M2	1	ELEMENT, PRIMARY FUEL
7	1076749M1	1	ELEMENT, SECONDARY FUEL
	103391W91	1	KIT, ETHER START (ACCESSORY)
	70921333	2	CAPSCREW, 5/16-18 UNC X 1.0
	353755X1	8	WASHER, NARROW FLAT, 5/16
	353446X1	2	WASHER, LOCK, 5/16
	355565X1	2	HEXNUT, 5/16-18 UNC
	364315X1	1	CLIP
	520624M91	1	INJECTION NOZZLE ASY., ETHER START
		1	SOLENOID ASSEMBLY, ETHER START
	71285272	AR	KIT, ETHER START (FOR 6 CYLINDER & LARGER ENGINES)
	72163195	AR	ETHER, START, 8OZ.
	79014649	AR	ETHER, 11OZ.
	74009959	AR	CARTRIDGE, FUEL-CYL., 21OZ.
	102513M1	1	ETHER TUBE, 1/8 DIAMETER
	359728X1	1	REDUCING PIPE BUSHING
	189158V91	1	SWITCH ASSEMBLY
10	108210R91	1	ALTERNATOR ASSEMBLY (SEE ALTERNATOR LISTING)(PRIOR S/N X55101)
	3919394	1	PULLEY, ALTERNATOR
	71370306	1	ALTERNATOR, 130 AMP. (EFF. S/N X55101)
	3926858	1	PULLEY, ALTERNATOR
11	102385M3	1	ARM, FUEL PUMP
13	70923114	1	BOLT, HEX, 1/2-13 UNC X 1.0
14		1	FAN, RADIATOR - 8 BLADE (SERVICE WITH NEW)
	116926W1	1	FAN, RADIATOR - 9 BLADE (EFF. S/N X55101)
15		4	BOLT, HEX, M10-1.5 X 140 (SERVICE WITH NEW)
	70950433	4	CAPSCREW, M10-1-1/2 X 110 (EFF. S/N X55101)
17	102341M91	1	STARTER ASSEMBLY, MOTOR (SEE STARTER LISTING)
	353773X1	AR	WASHER, 1/2
18	3009221X1	3	BOLT, HEX FLAT HEAD, M12-1.75 X 35
19	339560X1	2	BOLT, HEX, M6-16
20	2625510W1	1	WASHER, OIL PAN DRAIN
21	3019383X91	1	CONNECTOR ASSEMBLY, METRIC, 12MM
22	102381M1	1	HOSE, DRAIN
23	70925094	2	STRAP, TIE
24	70925856	1	PLUG, HEX, 3/4-16
25	339081X1	2	BOLT, HEX, M10-1.5 X 30
26	108996W91	1	BRACKET ASSEMBLY
27	353441X1	2	WASHER, LOCK, 1/4
28	70916622	2	NUT, HEX, 1/4-20 UNC
29		1	PUMP ASSEMBLY, HYDRAULIC GEAR (SEE HYDRAULIC PUMP LISTING)
30	74255287	2	VALVE, SHUTOFF
	103602W1	1	ELBOW, 3/8 NPT 45 DEG.
31	70924744	4	BOLT, HEX, 5/8-11 UNC X 1-1/2
32	915891W1	4	NUT, HEX FLANGE LOCK, 5/8-11 UNC
33	650268M1	1	TAG, INSTRUCTION (NOT ILLUSTRATED)
34	280640M1	1	SENDER, TEMPERATURE GAUGE
35	71391723	1	SENDING ASSEMBLY, OIL PRESSURE
	72506402	1	HOSE ASSEMBLY (EFF. S/N W55157)
	70920655	1	ELBOW, 45 DEG. 1/8F X 1/8M NPTF
	71390311	1	FITTING, ENGINE OIL ADAPTER (CE8780)
	70925094	3	TIE STRAP
36	71351816	1	SWITCH, OIL PRESSURE
37	102380M1	1	BREATHER HOSE, 5/8ID X 112IN.
38	70925621	1	CLIP, J TYPE, 1.0IN. DIA.
39	353690X1	1	BOLT, HEX, 3/8-16 UNC X 7/8
40	364217X1	1	NUT, HEX FLANGE LOCK, 3/8-16 UNC
41	738432	1	SWITCH, THERMOSTAT (MONITOR)
42	359018X1	1	BUSHING, PIPE REDUCER
45	2625031W1R	1	FRAME ASSEMBLY RH
46	2624961W2R	1	SUB FRAME ASSEMBLY, SIDE LH
47	2631291W91	1	ANGLE ASSEMBLY, BATTERY TRAY
48	102302M1	4	GUSSET, ENGINE RAIL
49	104306W92R	2	SUPPORT RAIL
50	101876M91R	2	BRACKET ASSEMBLY, REAR

Item	Part Number	Qty	Description
	391958X1	AR	BOLT, HEX, M12-1.75 X 35
	353773X1	AR	WASHER, 1/2
51	101868M91R	1	BRACKET ASSEMBLY, FRONT RIGHT
	1440716X1	AR	BOLT, HEX ISO 8.8 M12-1.75 X 30
	353773X1	AR	WASHER, 1/2
52	101864M91R	1	BRACKET ASSEMBLY, FRONT LEFT
53	671917M1	2	BUSHING, RED, 1/2 X 3/8 (NOT ILLUS.)
54	101878M1	1	TUBE
57	391958X1	8	BOLT, ISO 10.9 M12-1.75 X 35
	1440716X1	7	BOLT, HEX ISO 8.8 M12-1.75 X 30
	353773X1	22	WASHER, FLAT, HARDENED, M12
58	70921210	AR	BOLT, HEX, 3/8-16 UNC X 1.0
59	70920415	AR	BOLT, HEX, 3/8-16 UNC X 1-1/4
60	70917378	AR	WASHER, WIDE FLAT, 3/8
61	364217X1	AR	NUT, HEX FLANGE LOCK, 3/8-16 UNC
62		1	KIT, BLOCK HEATER (ORDER ITEMS 63 & 64)
63	3918597	1	HEATER, BLOCK
64	3905113	1	CORD, BLOCK HEATER, 120 VOLT
65	3008400	1	GASKET, PUMP
66	103605W1	1	SPACER
67	3913287	1	GASKET, ENGINE
68	3924187	1	GEAR
69	70918432	1	WASHER, WIDE FLAT, 5/8
70	70917423	1	NUT, HEX SLOTTED, 5/8-18 UNF
71	354070X1	1	PIN, COTTER, 5/32 X 1-1/2
72	71385871	1	BRACKET, ENGINE SHIELD (EFF. S/N X55115)
	71385873	1	BRACKET, ENGINE SHIELD MOUNTING (EFF. S/N X55115)
	70915723	2	WELD NUT, 3/8-16
	1112407	2	CAPSCREW, M10-1.5X20MM 8.8
	70950220	2	LOCKWASHER, M10
73	71385874	1	BRACKET, RADIATOR SHIELD MOUNTING (EFF. S/N X55115)
	70921965	2	CAPSCREW, 3/8-16 X 3/4
	70916965	2	WASHER, 3/8 SPRING LOCK
74	71385875	1	SHIELD, FAN BLAST (EFF. S/N X55115)
	70924837	4	RIVET, 3/16 X .277 OPEN END
	71387727	-	KIT, FAN BLAST DEFLECTOR (INCL. ITEMS 72-74)(EFF. S/N X55115)

NOTE:(ALL REFERENCE ITEMS REFER TO 8780
PRIOR S/N MJ87101.) FOR 8780 EFF. S/N
MJ87101 (W/QSC) ENGINE USE CUMMINS
#3666398 OPERATION & MAINTENANCE
MANUAL (QSC 8.3 ENGINE) AND (QSC)
ENGINE PARTS CATALOG #3672196 IN
CONJUNCTION W/ENG. EFF. S/N MJ87101

MC00078A
PR: 30



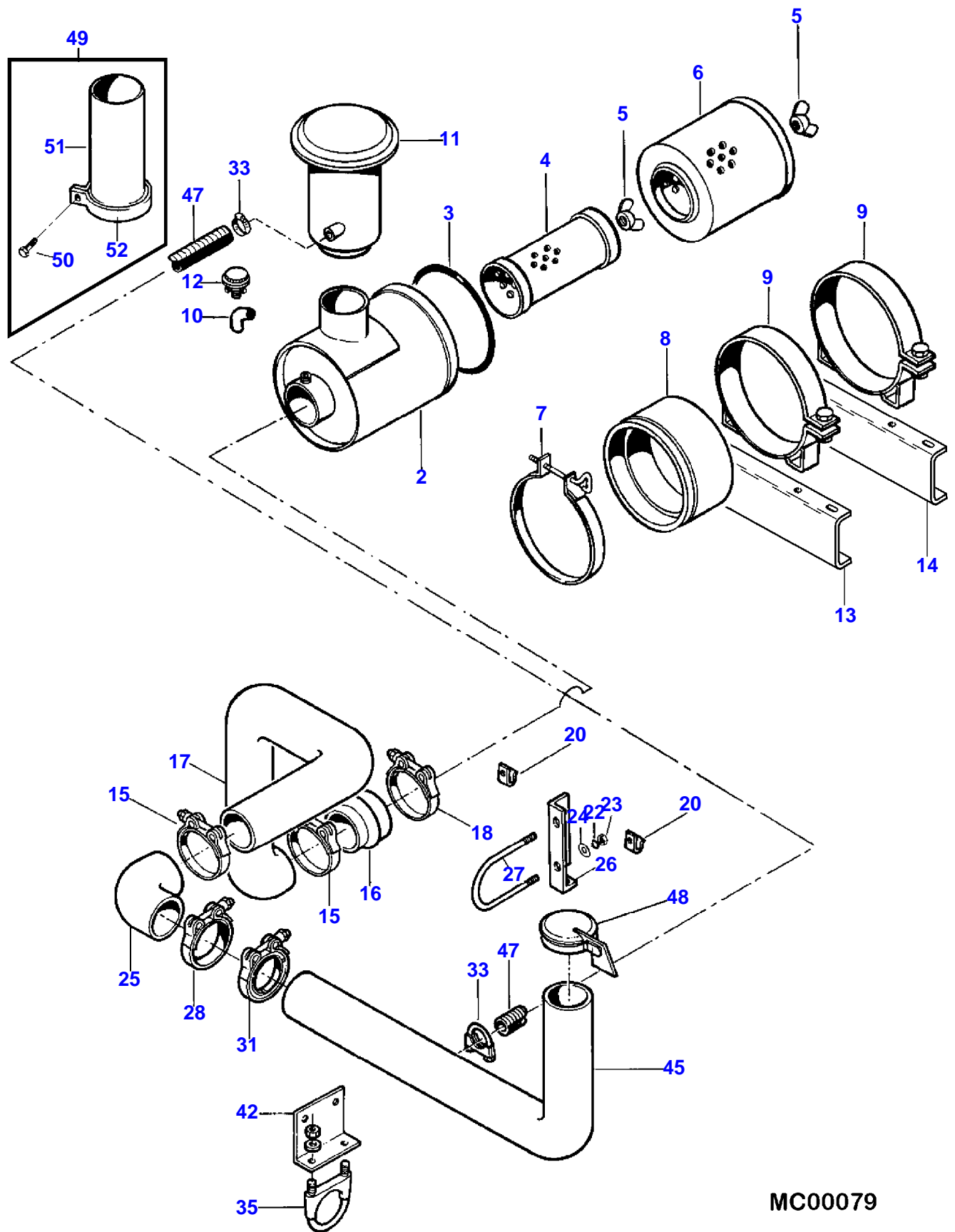
71387638

Item	Part Number	Qty	Description
1	71387624	1	ENGINE ASSEMBLY, CUMMINS QSC
2	71367037	5	SLEEVE CONN. 2.25ID X 4.0
3	71366540	10	CLAMP CONSTANT TORQUE
4	70919272	1	ELBOW, 90 DEG. 1/2 JIC X 3/4 NPTF
5	71351285	1	FITTING, BARB 3/4-16 FEM X .62 HOSE
6	71370306	1	ALTERNATOR, 130A
	3926858	1	PULLEY, ALTERNATOR
7	71386891	1	TUBE, WATER (ENG. TO RAD.)
8	71368954	1	BLADE, FAN
	70950046	4	CAPSCREW, M10-1.5 X 120MM
	70950229	4	WASHER, FLAT M10
10	72515591	1	BELT, FAN/ALT. DRIVE
11	737901	1	STARTER, 37MT
12	71386992	2	BRACKET WELDMNT, LH FRT AND REAR
	391958X1	8	CAPSCREW, M12 1-3/4 X 35
	353773X1	8	WASHER, HARDENED 1/2
	70924744	2	CAPSCREW, 5/8-11 X 1-1/2
	700703922	2	NUT, FLG TOP LOCK 5/8-11
17	102302M1	2	GUSSET, ENGINE RAIL
	70920415	4	CAPSCREW, 3/8-16 X 1-1/4
	364217X1	8	NUT, FLANGE, LOCK 3/8-16
	70921210	4	CAPSCREW, 3/8-16 X 1
	70917378	4	WASHER, FLAT 3/8 14 GA
21	70936474	3	CLAMP
	70918249	2	SCREW, SLOT TRUSS, HD 5/16 X 3/4
	70916965	2	LOCKWASHER, 3/8
	70916950	2	HEXNUT, 3/8-16
22	-	-	HOSE EMISSIONS (SUPPLIED WITH ENGINE)
	-	-	CLAMP, WORM, SAE 12 (SUPPLIED WITH ENGINE)
25	71389911	2	SUPPORT RAIL, ENG. MTG.
	70921210	4	CAPSCREW, 3/8-16 X 1.0
	364217X1	4	NUT, FLANGE, LOCK 3/8-16
26	71386986	1	BRACKET, WLMT RH FRT ENG MTG
27	71386989	1	BRACKET, WLMT RH RR ENG MTG
	1440716X1	7	CAPSCREW, M12 1-3/4 X 30
	353773X1	7	WASHER, HARDENED 1/2
	70924744	2	CAPSCREW, 5/8-11 X 1-1/2
	915891W1	2	NUT, FLANGE LOCK 5/8-11
29	71388876	1	TUBE, UPPER WATER RAD TO ENG
	71366540	6	CLAMP CONSTANT TORQUE
	71367037	3	SLEEVE CONN. 2.25ID X 4.0
30	71386892	1	TUBE, WATER LOWER RAD TO ENG
31	71386997	2	GUSSET, ENGINE RAIL
	70920415	4	CAPSCREW, 3/8-16 X 1-1/4
	364217X1	4	NUT, FLANGE LOCK 3/8-16
35	71382731	2	BRACE, BIN UNLOADER
	70922664	2	CAPSCREW, 5/8-11 X 2.0
	70917373	2	LOCKWASHER, 5/8
	70915726	2	HEXNUT, 5/8-11
	71343344	2	EYEBOLT
	70923292	2	CAPSCREW, 3/4-10 X 2.0
	70918269	6	WASHER, FLAT 3/4 SAE
	70919332	2	LOCKWASHER, 3/4
	70913160	6	HEXNUT, 3/4-10
41	71387769	1	SUB FRAME WLMT. LH ENGINE
	70920415	8	CAPSCREW, 3/8-16 X 1-1/4
	70917378	8	WASHER, FLAT 3/8-14 GA
	364217X1	8	NUT, FLANGE LOCK 3/8-16
42	71387614	1	SUB FRAME WLMT. RH ENGINE
	70920415	8	CAPSCREW, 3/8-16 X 1-1/4
	70917378	8	WASHER, FLAT 3/8-14 GA
	364217X1	8	NUT, FLANGE LOCK 3/8-16
46	30-3076830	1	VALVE, SHUTOFF
	70936774	1	CONN. REDUCER 3/4 NPT X .38 NPT
47	1905314M1	1	ELBOW, 90 DEG.
48	71382694	1	HOSE, ENGINE OIL DRAIN
49	70925856	1	PLUG, 37 DEG. 3/4-16
50	71393838	1	SHIELD, SENSOR (EFF. S/N HL87101)
51	71385999	1	BRACKET, CLAMP RAD TUBE
	70937712	1	CLAMP EXHAUST 2.25 TUBE
	70921333	2	CAPSCREW, 5/16-18 X 1.0

Item	Part Number	Qty	Description
	70918265	2	WASHER, FLAT 5/16
	70917356	2	LOCKWASHER, 5/16
	70917372	2	HEXNUT, 5/16-18
58	71148120	1	BELT, A/C COMPRESSOR
59	71388877	1	LINK, ADJUSTING A/C COMP
	1112407	1	CAPSCREW, M10-1.5 X 20
	70950220	2	LOCKWASHER, M10
	70950037	1	CAPSCREW, M1-1.5 X 30
	70950229	1	WASHER, FLAT M10
	70950945	1	NUT, M10-1.5
62	30-3429865	1	PLATE, COMPRESSOR
	70950038	2	CAPSCREW, M10-1.5 X 40
	70950220	2	LOCKWASHER, M10
	70950945	2	NUT, M10-1.5
64	71379601	1	A/C COMPRESSOR & CLUTCH ASSEMBLY
66	71385055	1	SUPPORT WLMT.
	72160927	1	SLEEVE SLIT
	70950038	2	CAPSCREW, M10-1.5 X 40
	70950220	2	LOCKWASHER, M10
	70950945	2	NUT, M10-1.5
67	71389917	1	HOSE, MAKE-UP, 3/4 ID
	70921911	2	CLAMP, HOSE, WORM, #12
68	70919342	1	FITTING, STR. CONN.
69	70920809	1	FITTING, PUSH-ON
70	71367031	1	HOSE, DEAERATION, .38 ID X 33-1/2"
	70929402	2	CLAMP, HOSE, WORM, #4M
71	7746449	1	FITTING, HOSE, 3/8 ID X 1/4 NPTF
72	72511906	1	FUEL FILTER/WATER SEPARATOR
73	71395734	1	SUPPORT, WATER SEPARATOR
	72516560	1	ENGINE, OIL FILTER
	71372880	1	FILTER, COOLANT (23 UNITS DCA-4/FULL FILL)
	3943684	1	HEATER, COOLANT (CE8780)
	3913112	1	CABLE, COOLANT HEATER (CE8780)

NOTE:(ALL REFERENCE ITEMS REFER TO 8780
EFF. S/N MJ87101.) FOR 8780 EFF. S/N
MJ87101 (W/QSC) ENGINE USE CUMMINS
#3666398 OPERATION & MAINTENANCE
MANUAL (QSC 8.3 ENGINE) AND (QSC)
ENGINE PARTS CATALOG #3672196.

71387638
PR: 36

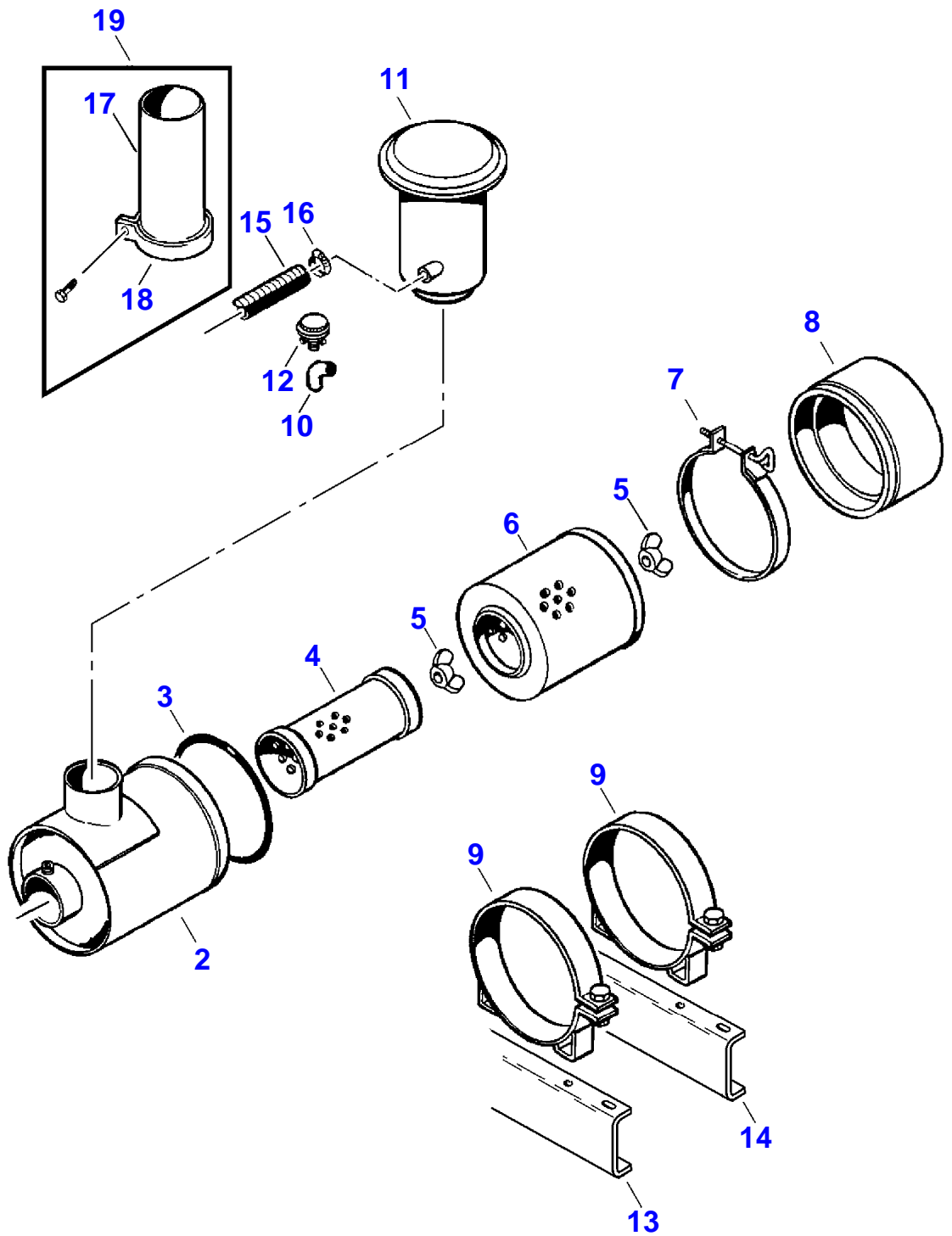


MC00079

Item	Part Number	Qty	Description
2	2461793W91	1	AIR CLEANER ASSEMBLY
3	1089933M1	1	O-RING
4	1070230M1	1	ELEMENT, AIR INNER
5	3638002M1	1	NUT, WING SPECIAL, 7/16 UNF
6	1070229M1	1	ELEMENT, AIR OUTER
7	1089941M91	1	CLAMP ASSEMBLY
8	1070231M91	1	CUP ASSEMBLY
9	2438680W1	2	MOUNTING BAND
10	70918185	1	ELBOW, 90 DEG.
11	2577893W91	1	PRE-CLEANER ASSEMBLY
12	31-2530050	1	SWITCH, VACUUM
13	2625820W1R	1	CHANNEL - AIR CLEANER-MOUNT
	70921210	AR	CAPSCREW, 3/8-16 X 1.0
	70916950	AR	HEXNUT, 3/8-16
14	2632940W1R	1	CHANNEL, AIR CLEAN MOUNT
	70921210	AR	CAPSCREW, 3/8-16 X 1.0
	70916950	AR	HEXNUT, 3/8-16
15	102744M91	2	CLAMP ASSEMBLY (PRIOR S/N MJ87101)
	72160993	2	CLAMP ASSEMBLY (EFF. S/N MJ87101)
16	2632680W1	1	HOSE, REDUCING - AIR INTAKE
17	104514W1	1	TUBE
18	102745M91	1	CLAMP ASSEMBLY
20	70925621	2	CLIP, J TYPE, 1.0"ID DIAMETER
22	353446X1	2	WASHER, LOCK, 5/16
23	355565X1	2	NUT, HEX 5/16-18 UNC
24	355618X1	2	WASHER, WIDE FLAT, 5/16
25	71351859	1	ELBOW, HOSE, 90 DEG. RED 5" X 4"
26	104515W1	1	ANGLE
27	2625940W1	1	U CLAMP
28	102743M91	1	CLAMP ASSEMBLY
31	102611M1	1	V BANDCLAMP
33	103832W91	2	CLAMP ASSEMBLY
35	103830W91	1	CLAMP ASSEMBLY, 4" DIA.
42	101871M1R	1	BRACKET
45	101872M1	1	ASPIRATING STACK
47	2626040W1	1	HOSE, FLEX
	70921332	2	CAPSCREW, 5/16-18 X 3/4
48	70269408	1	CAP ASSEMBLY, RAIN
49	-	-	AIR INTAKE, 11" EXTENSION W/HARDWARE (ACCESSORY)(ORD. 50-52)
50	70921971	1	BOLT, HEX, 3/8-16 UNC X 1-3/4
	70916965	1	LOCKWASHER, 3/8
	70916950	1	HEXNUT, 3/8-16
51	105092W1	1	TUBE 11" AIR INTAKE
52	105091W1	1	STRAP, CLAMP

MC00079

PR: 40



MC00240

Buy Now



Our support email:

ebooklibonline@outlook.com