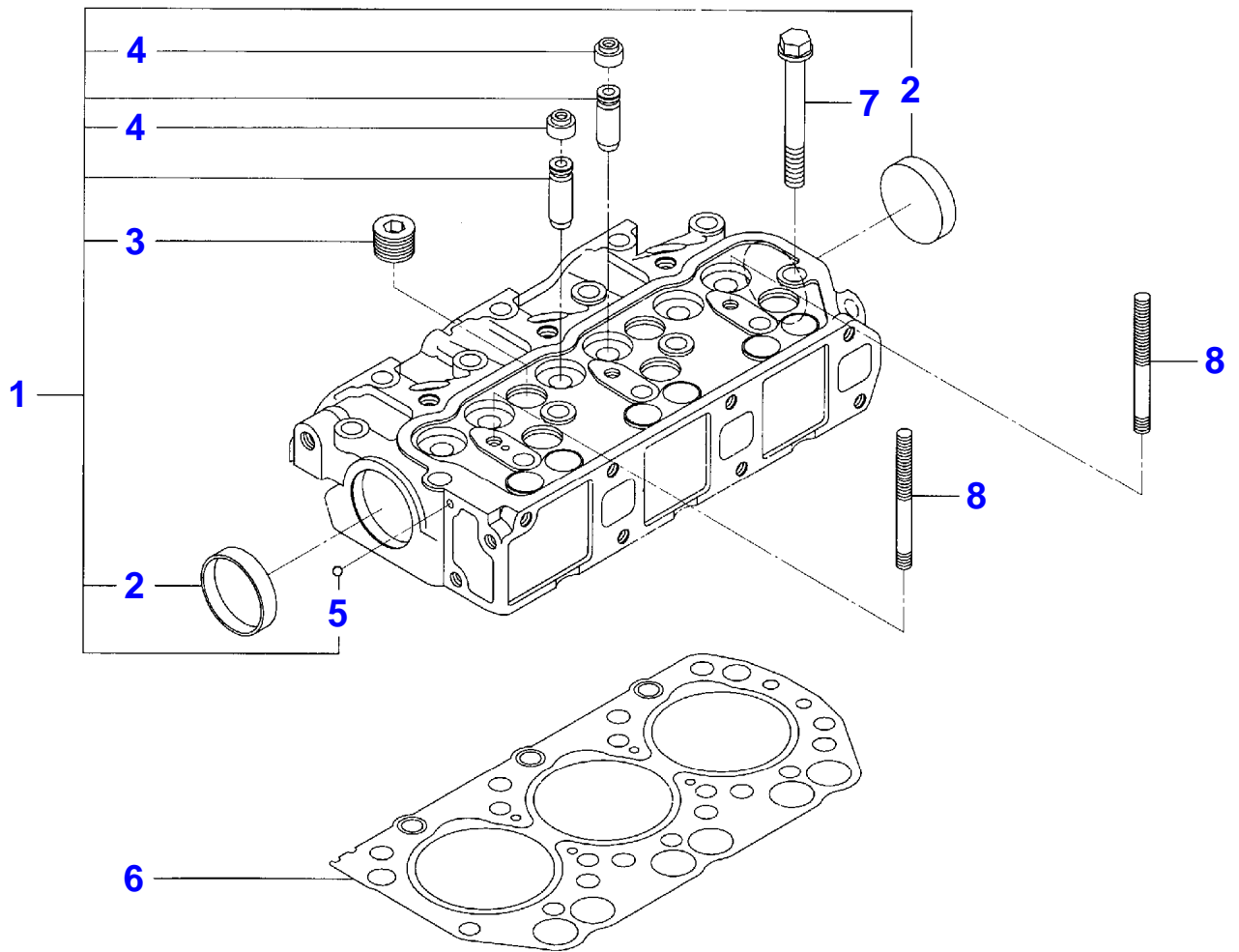


Page Title	Page Number
PUBLICATION INFORMATION	0
ENGINE - CYLINDER HEAD	10
ENGINE - CYLINDER HEAD COVER	12
ENGINE - INTAKE MANIFOLD	14
ENGINE - EXHAUST MANIFOLD	16
ENGINE - CYLINDER BLOCK	18
ENGINE - MAIN AND ROD BEARINGS, UNDERSIZE	20
ENGINE - OIL PAN	22
ENGINE - REAR PLATE	24
ENGINE - TIMING GEAR CASE	26
ENGINE - HANGER, ENGINE LIFT	28
ENGINE - VALVE TRAIN	30
ENGINE - CAMSHAFT	32
ENGINE - PISTON, STANDARD	34
ENGINE - PISTON, OVERSIZE	36
ENGINE - CRANKSHAFT	38
ENGINE - OIL PUMP AND FILTER	40
ENGINE - WATER PUMP AND THERMOSTAT	42
ENGINE - COOLING FAN	44
ENGINE - INJECTION NOZZLE AND LINES	46
ENGINE - INJECTION PUMP	48
ENGINE - FUEL PIPE	50
ENGINE - ELECTRIC (1), STARTER AND ALTERNATOR	52
ENGINE - ELECTRIC (2), SWITCHES, SOLENOID & RELAY	54
ENGINE - ENGINE LABEL	56
ENGINE - ENGINE REPAIR COMPONENTS	58
CHASSIS - ENGINE MOUNT SYSTEM	60
CHASSIS - COOLING SYSTEM	62
CHASSIS - EXHAUST SYSTEM	64
CHASSIS - AIR CLEANER SYSTEM	66
CHASSIS - FUEL PUMP AND FILTER SYSTEM	68
CHASSIS - FUEL TANK SYSTEM	70
CHASSIS - BATTERY SYSTEM	72
CHASSIS - ACCELERATOR LEVER SYSTEM	74
CHASSIS - INPUT SHAFT SYSTEM	76
CHASSIS - TRANSMISSION CASE SYSTEM	78
CHASSIS - HST HOUSING SYSTEM	80
CHASSIS - HST SYSTEM	82
CHASSIS - PUMP GEAR SYSTEM	84
CHASSIS - SUB GEAR SYSTEM	86
CHASSIS - 4WD GEAR SYSTEM	88
CHASSIS - PTO GEAR SYSTEM	90
CHASSIS - PTO COVER SYSTEM	92
CHASSIS - SUB CHANGE SYSTEM	94
CHASSIS - 4WD CHANGE SYSTEM	96
CHASSIS - PTO CHANGE SYSTEM	98
CHASSIS - 4WD SUB LEVER SYSTEM	100
CHASSIS - PTO LEVER SYSTEM	102
CHASSIS - HST PEDAL SYSTEM	104
CHASSIS - DRIVE PINION SYSTEM	106
CHASSIS - DIFFERENTIAL GEAR SYSTEM	108
CHASSIS - DIFF-LOCK SYSTEM, GC2300	110
CHASSIS - DIFF-LOCK SYSTEM, GC2310	112
CHASSIS - AXLE HOUSING, WHEEL SHAFT SYSTEM	114
CHASSIS - BRAKE SYSTEM	116
CHASSIS - BRAKE PEDAL SYSTEM	118
CHASSIS - DIFF-LOCK PEDAL SYSTEM	120
CHASSIS - PARKING BRAKE SYSTEM	122
CHASSIS - POWER STEERING SYSTEM	124
CHASSIS - STEERING CYLINDER SYSTEM	126
CHASSIS - POWER STEERING PIPING SYSTEM	128
CHASSIS - AXLE BRACKET SYSTEM	130
CHASSIS - DRIVE SHAFT SYSTEM	132
CHASSIS - BEVEL CASE SYSTEM	134
CHASSIS - AXLE HOUSING SYSTEM	136
CHASSIS - FRONT GEAR CASE SYSTEM	138
CHASSIS - TIE ROD SYSTEM	140
CHASSIS - CYLINDER CASE SYSTEM	142

TABLE OF CONTENT

CHASSIS - CONTROL SYSTEM	144
CHASSIS - MAIN PIPING SYSTEM, GC2300	146
CHASSIS - MAIN PIPING SYSTEM, GC2310	148
CHASSIS - SUB PIPING SYSTEM	150
CHASSIS - 3-POINT LINK SYSTEM	152
CHASSIS - LIFT ROD SYSTEM	154
CHASSIS - MOWER LINK SYSTEM	156
CHASSIS - HOOD SYSTEM	158
CHASSIS - GRILLE SYSTEM	160
CHASSIS - COVER SYSTEM	162
CHASSIS - FENDER SYSTEM	164
CHASSIS - SEAT SYSTEM	166
CHASSIS - FLOOR SYSTEM	168
CHASSIS - HEADLAMP SYSTEM	170
CHASSIS - TAIL LAMP SYSTEM	172
CHASSIS - INSTRUMENT PANEL SYSTEM	174
CHASSIS - SWITCH SYSTEM	176
CHASSIS - HARNESS SYSTEM	178
CHASSIS - ROPS SYSTEM, GC2300	180
CHASSIS - ROPS SYSTEM, GC2310	182
CHASSIS - ORNAMENTATION	184
CHASSIS - CONTROL LABELS	186
CHASSIS - CAUTION LABELS	188
CHASSIS - SMV BRACKET	190
CHASSIS - ATTACHMENT PIPING SET (OPTION)	192
WHEELS - FRONT & REAR WHEEL	194
COMPONENT BREAKDOWNS - CONTROL VALVE ASSY	196
COMPONENT BREAKDOWNS - FUEL FILTER ASSY, COMPONENTS	198
COMPONENT BREAKDOWNS - HYDROSTATIC TRANSMISSION, COMPONENTS	200
COMPONENT BREAKDOWNS - PTO CLUTCH ASSY, COMPONENTS	202
COMPONENT BREAKDOWNS - INJECTION NOZZLE, COMPONENTS	204
COMPONENT BREAKDOWNS - INJECTION PUMP, COMPONENTS	206
COMPONENT BREAKDOWNS - STARTER COMPONENTS	208
COMPONENT BREAKDOWNS - ALTERNATOR COMPONENTS	210
RECOMMENDED STOCK LIST - RECOMMENDED STOCK LIST	212



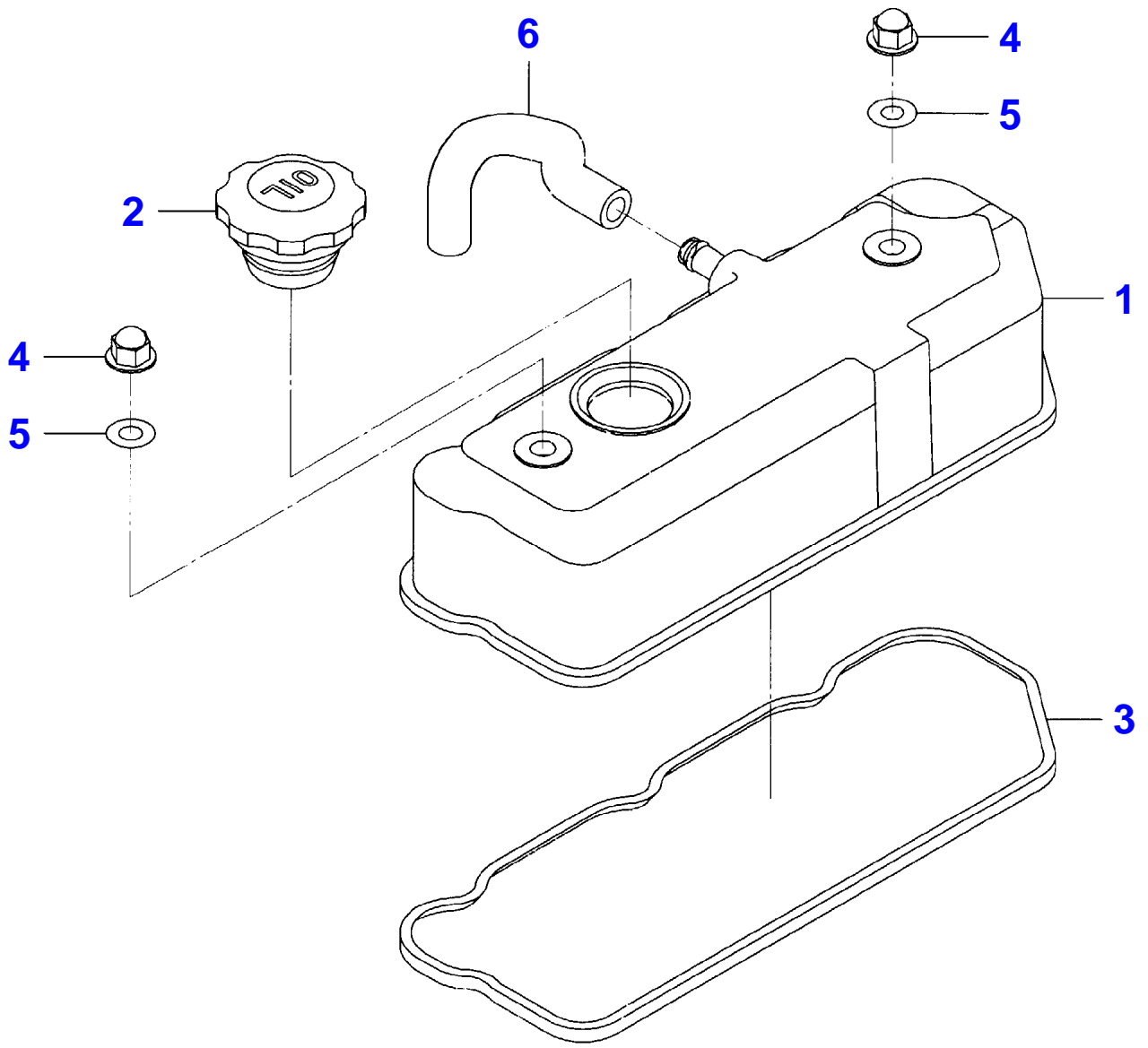
MFC8613

ENGINE - CYLINDER HEAD

Item	Part Number	Qty	Description
1	3605655M92	1	HEAD ASSY, CYLINDER
2	3704389M1	2	CUP, SEALING
3	3707877M2	5	PLUG, 1/2 PT
4	3710256M1	6	SEAL, VALVE
5	3711713M1	1	BALL, 3/16
6	3710144M2	1	GASKET, CYLINDER HEAD
7	3710109M1	14	BOLT, M10 X 1.25 X 82
8	3607420M1	2	STUD, M8 X 1.25 X 71

MFC8613

PR: 12



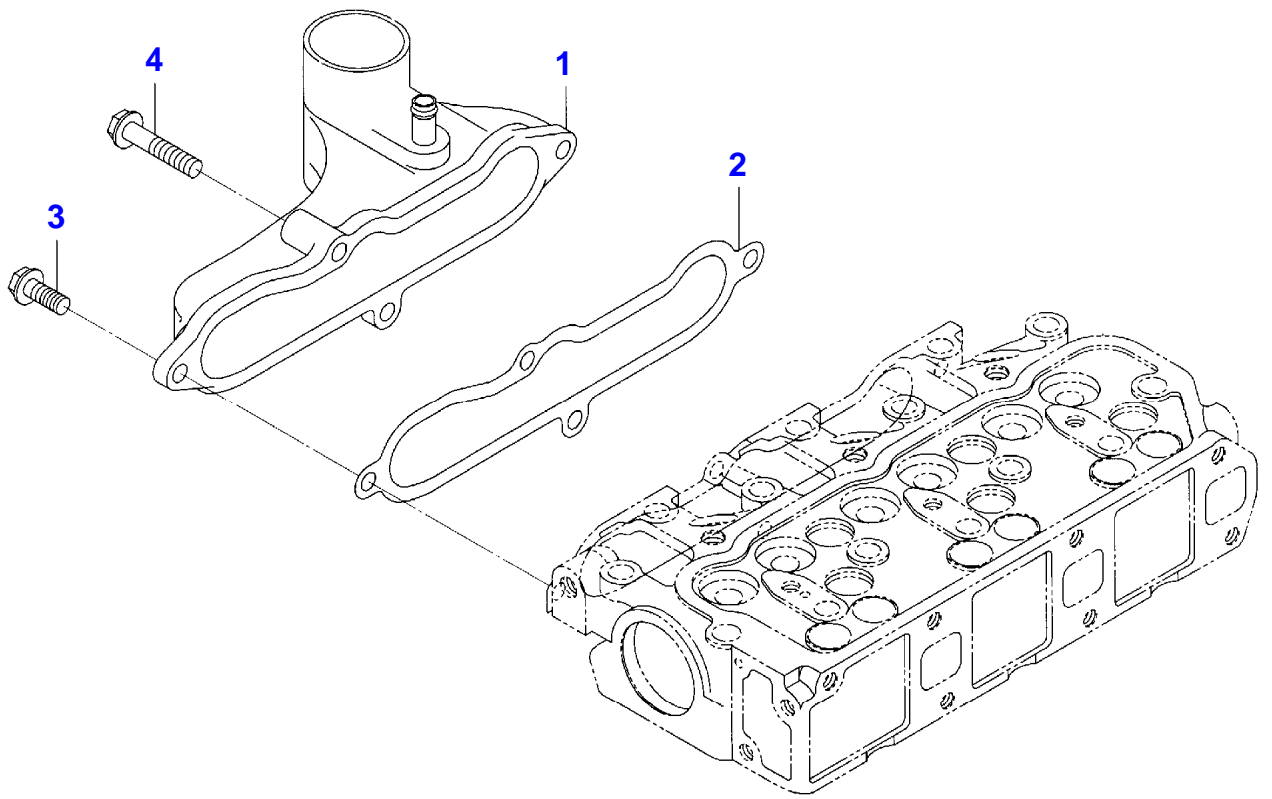
MFC8614

ENGINE - CYLINDER HEAD COVER

Item	Part Number	Qty	Description
1	3710149M91	1	COVER ASSY, CYLINDER HEAD
2	3710188M1	1	CAP, OIL FILLER
3	3710151M1	1	SEAL, CYLINDER HEAD COVER
4	3710127M1	2	NUT, CUP
5	3706564M1	2	GASKET
6	3710124M1	1	HOSE, RUBBER

MFC8614

PR: 14

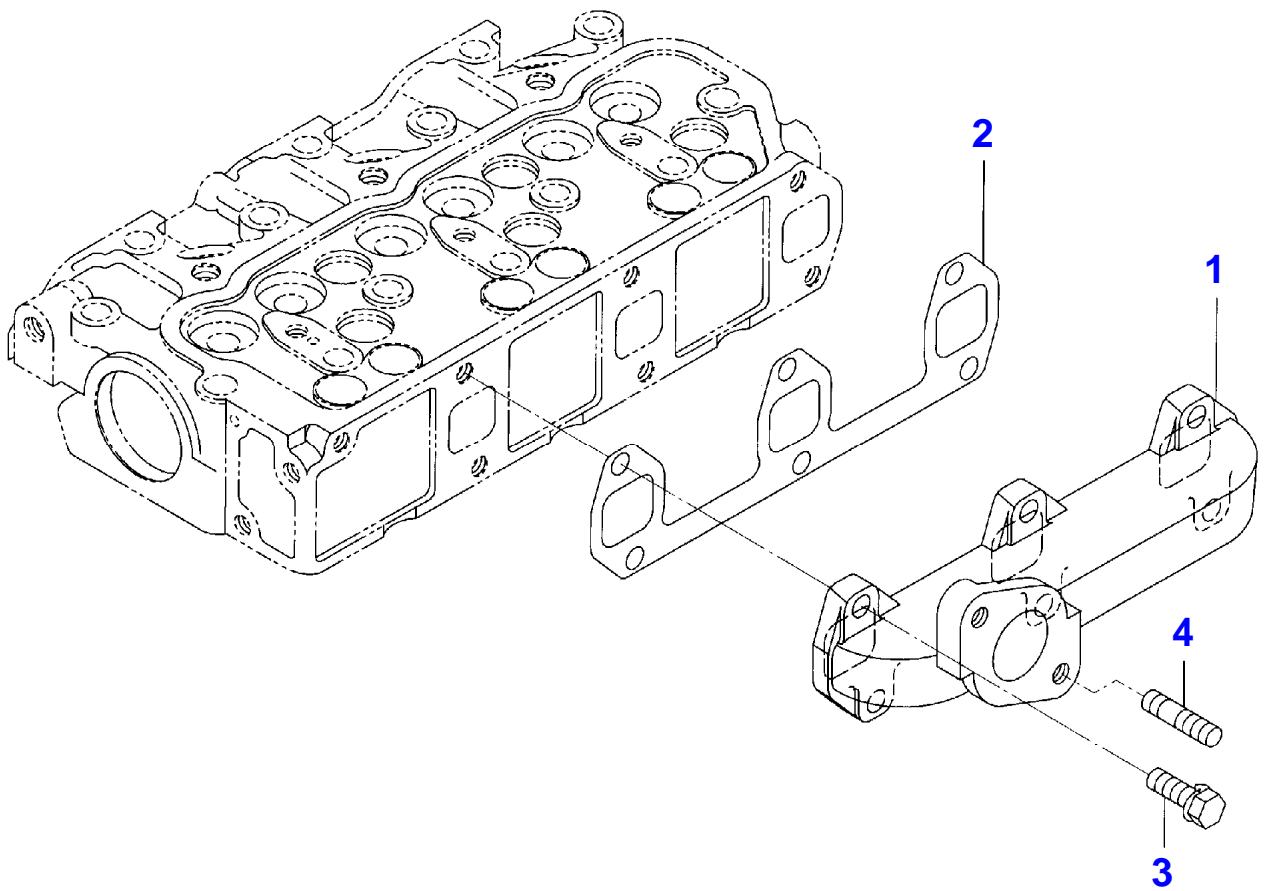


MFC8615

ENGINE - INTAKE MANIFOLD

Item	Part Number	Qty	Description
1	3710307M91	1	MANIFOLD ASSY, INTAKE
2	3710309M1	1	GASKET, INTAKE
3	3702272M1	3	BOLT, S M8 X 20
4	3710481M1	1	BOLT, WS M8 X 40

MFC8615
PR: 16

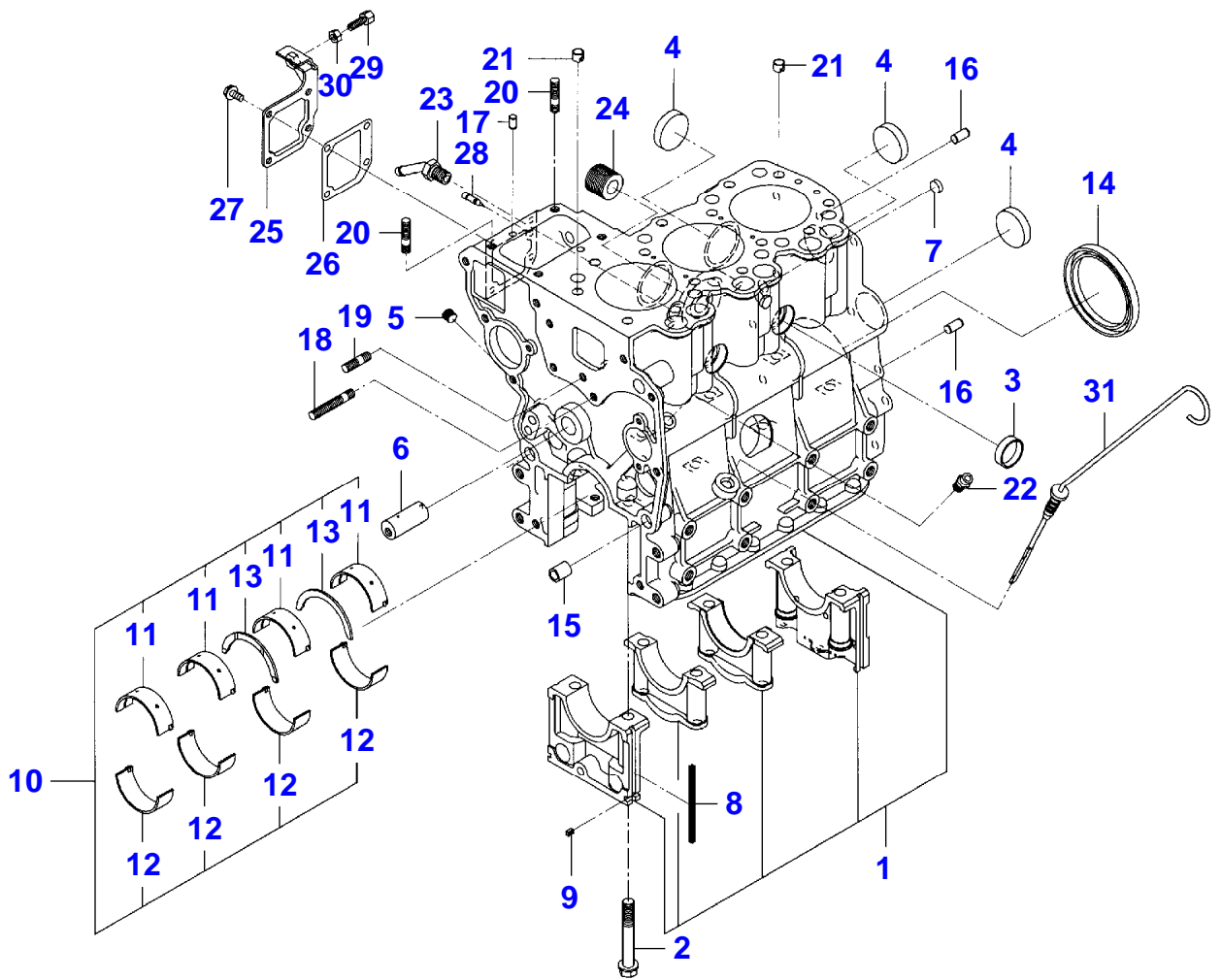


MFC8616

ENGINE - EXHAUST MANIFOLD

Item	Part Number	Qty	Description
1	4262617M1	1	MANIFOLD, EXHAUST
2	3710312M1	1	GASKET, MANIFOLD
3	3702273M1	6	BOLT, S M8 X 25
4	3704353M1	2	STUD, M8 X 22

MFC8616
PR: 18



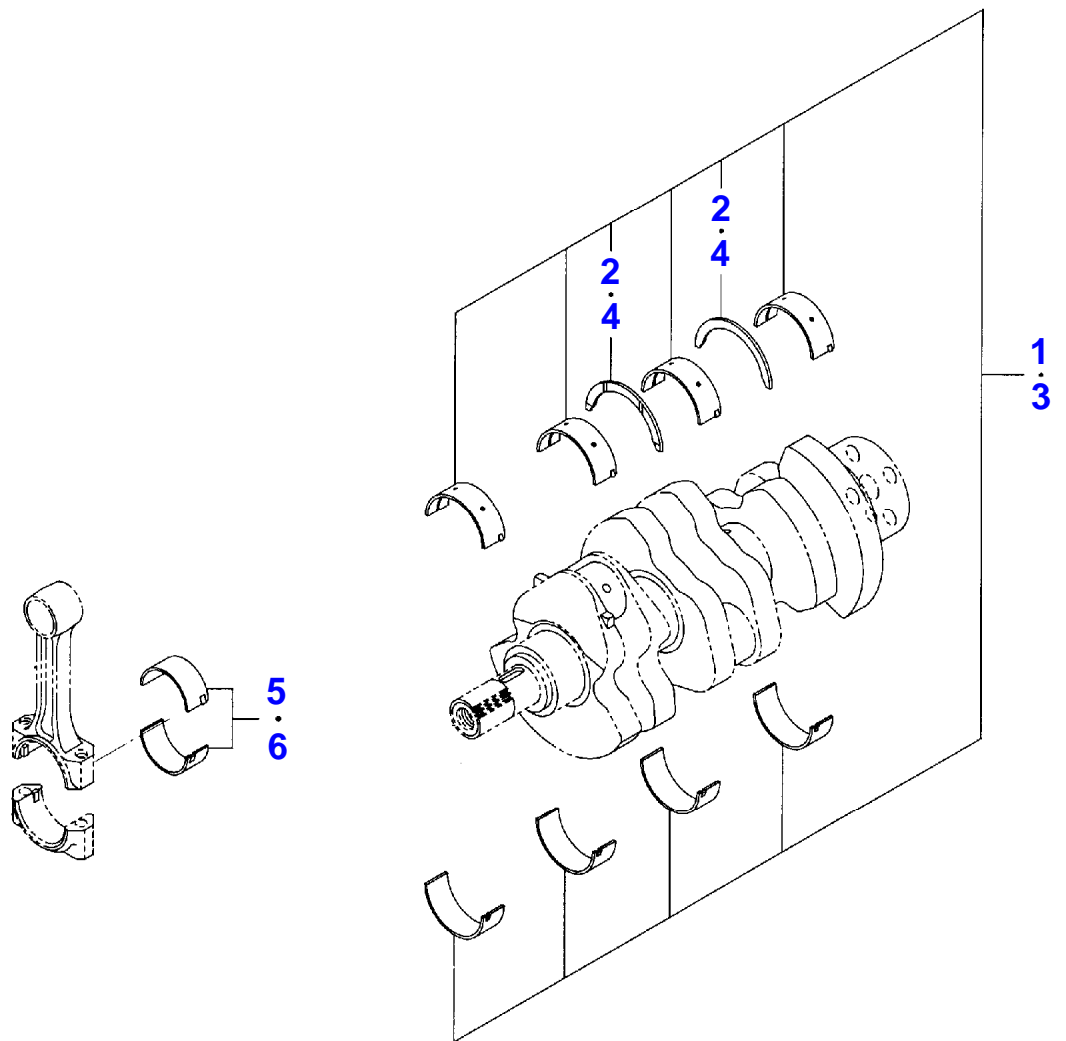
MFC8617

ENGINE - CYLINDER BLOCK

Item	Part Number	Qty	Description
1	3710152M92	1	BLOCK ASSY, CYLINDER
2	3710110M2	8	BOLT, M10 X 1.25 X 70
3	3710130M1	2	CAP, SEALING, 28
4	3706163M1	4	CUP, SEALING
5	3704257M1	3	PLUG
6	3710247M2	1	PIN, IDLE GEAR
7	3704392M1	2	CUP, SEALING
8	3710160M1	4	SEAL, BEARING CAP
9	3710161M1	2	SEAL, BEARING CAP, 07
10	3710175M91	1	BEARING SET, CRANK
11	3711637M1	4	BEARING, CRANK, UPPER
12	3711638M1	4	BEARING, CRANK, LOWER
13	3710184M1	2	BEARING, THRUST, CRANK
14	4260024M1	1	SEAL, OIL
15	3710137M2	2	PIN, TUBE
16	3710488M1	2	PIN, STRAIGHT 8 X 16
17	3757960M1	2	PIN, 8 X 12
18	3706536M1	1	STUD, M8 X 40
19	3704806M1	1	STUD, M8 X 18
20	3704353M1	2	STUD, M8 X 22
21	3758287M1	2	DOWEL
22	3704382M1	1	NIPPLE
23	3704191M1	1	PIPE, DRAIN, WATER
24	3710284M1	1	CONNECTOR, OIL FILTER
25	4265439M91	1	COVER, INJ PUMP
26	3710163M1	1	GASKET, COVER
27	3710478M1	4	BOLT, WS M6 X 12
28	3710411M1	1	PIN, STARTING SPRING
29	4265435M1	1	BOLT, ADJUST
30	3710489M1	1	NUT, M6
31	4265446M1	1	GAUGE, LEVEL

MFC8617

PR: 20



MFC8618

Buy Now



Our support email:

ebooklibonline@outlook.com