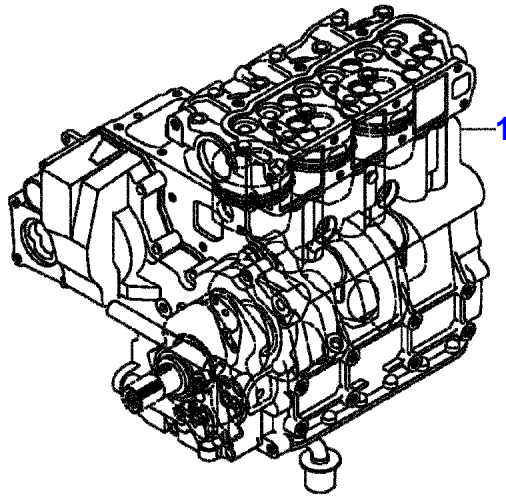


Page Title	Page Number
PUBLICATION INFORMATION	0
DECALS AND LABELS - DECALS GC2300	12
DECALS AND LABELS - DECALS GC2310	14
DECALS AND LABELS - CONTROL LABELS GC2300	16
DECALS AND LABELS - CONTROL LABELS GC2310	18
DECALS AND LABELS - CAUTION LABELS GC2300	20
DECALS AND LABELS - CAUTION LABELS GC2310	22
ENGINE E3112VB19 - ENGINE SHORT BLOCK ASSY	24
ENGINE E3112VB19 - CYLINDER HEAD	26
ENGINE E3112VB19 - CYLINDER HEAD COVER	28
ENGINE E3112VB19 - INTAKE MANIFOLD	30
ENGINE E3112VB19 - EXHAUST MANIFOLD	32
ENGINE E3112VB19 - CYLINDER BLOCK	34
ENGINE E3112VB19 - MAIN AND ROD BEARINGS, UNDERSIZE	36
ENGINE E3112VB19 - OIL PAN	38
ENGINE E3112VB19 - REAR PLATE	40
ENGINE E3112VB19 - TIMING GEAR CASE	42
ENGINE E3112VB19 - HANGER, ENGINE LIFT, UP TO S/N 258882	46
ENGINE E3112VB19 - HANGER, ENGINE LIFT, FROM S/N 258883	48
ENGINE E3112VB19 - VALVE TRAIN	50
ENGINE E3112VB19 - CAMSHAFT	52
ENGINE E3112VB19 - PISTON, STANDARD	54
ENGINE E3112VB19 - PISTON, OVERSIZE	56
ENGINE E3112VB19 - CRANKSHAFT, UP TO S/N 264595	58
ENGINE E3112VB19 - CRANKSHAFT, FROM S/N 264596	60
ENGINE E3112VB19 - OIL PUMP	62
ENGINE E3112VB19 - WATER PUMP AND THERMOSTAT	64
ENGINE E3112VB19 - COOLING FAN	66
ENGINE E3112VB19 - INJECTION NOZZLE	68
ENGINE E3112VB19 - INJECTION NOZZLE, COMPONENTS FOR INJECTION NOZZLE	70
ENGINE E3112VB19 - INJECTION PUMP	72
ENGINE E3112VB19 - INJECTION PUMP, COMPONENTS FOR INJECTION PUMP, UP TO S/N 321421	76
ENGINE E3112VB19 - COMPONENT PARTS FOR INJECTION PUMP, FROM S/N 321422	78
ENGINE E3112VB19 - FUEL PIPE	80
ENGINE E3112VB19 - ADAPTER	82
ENGINE E3112VB19 - STARTER AND ALTERNATOR	84
ENGINE E3112VB19 - COMPONENTS FOR STARTER	86
ENGINE E3112VB19 - COMPONENTS FOR ALTERNATOR	88
ENGINE E3112VB19 - SWITCHES, SOLENOID & RELAY, UP TO S/N 289615	90
ENGINE E3112VB19 - SWITCHES, SOLENOID & RELAY, FROM S/N 289616	92
ENGINE E3112VB19 - FUEL LABEL	94
ENGINE E3112VB19 - ENGINE GASKET KIT	96
ENGINE ATTACHING - ENGINE MOUNT	98
ENGINE ATTACHING - COOLING	100
ENGINE ATTACHING - MUFFLER, UP TO SN R2352	102
ENGINE ATTACHING - MUFFLER, FROM S/N R2353	104
ENGINE ATTACHING - AIR CLEANER	106
ENGINE ATTACHING - FUEL PUMP	108
ENGINE ATTACHING - FUEL FILTER ASSY, COMPONENTS FOR FUEL FILTER	110
ENGINE ATTACHING - FUEL TANK	112
ENGINE ATTACHING - BATTERY	114
ENGINE ATTACHING - ACCELERATOR LEVER	116
TRANSMISSION - INPUT SHAFT	118
TRANSMISSION - TRANSMISSION CASE	120
TRANSMISSION - HST COVER	122
TRANSMISSION - HYDROSTATIC TRANSMISSION	124
TRANSMISSION - COMPONENTS FOR HST UNIT	126
TRANSMISSION - PUMP GEAR	130
TRANSMISSION - SUB GEAR	132
TRANSMISSION - 4WD GEAR	134
TRANSMISSION - PTO GEAR	136
TRANSMISSION - COMPONENTS FOR PTO CLUTCH, UP TO S/N P2412	138
TRANSMISSION - COMPONENTS FOR PTO CLUTCH, FROM S/N P2413	140
TRANSMISSION - PTO COVER	142
TRANSMISSION - SUB SHIFT	144
TRANSMISSION - 4WD SHIFT	146
TRANSMISSION - PTO SHIFT	148
TRANSMISSION - SUB LEVER, GC2310	150

## TABLE OF CONTENT

TRANSMISSION - SUB LEVER, GC2300	152
TRANSMISSION - 4WD SUB LEVER	154
TRANSMISSION - REAR PTO LEVER	156
TRANSMISSION - MID PTO LEVER	158
TRANSMISSION - HST PEDAL, GC2310	160
TRANSMISSION - HST PEDAL, 2300, 1 OF 2	162
TRANSMISSION - HST PEDAL, 2300, 2 OF 2	164
TRANSMISSION - DRIVE PINION	166
TRANSMISSION - DIFFERENTIAL GEAR	168
TRANSMISSION - DIFFERENTIAL LOCK	170
TRANSMISSION - REAR AXLE HOUSING	172
TRANSMISSION - REAR WHEEL SHAFT	174
TRANSMISSION - BRAKE	176
TRANSMISSION - BRAKE PEDAL	178
TRANSMISSION - DIFFERENTIAL-LOCK PEDAL, GC2300	180
TRANSMISSION - DIFFERENTIAL-LOCK PEDAL, GC2310	182
TRANSMISSION - PARKING BRAKE	184
TRANSMISSION - LIFT CYLINDER CASE	186
TRANSMISSION - OIL FILLER EXTENSION, GC2310	188
TRANSMISSION - POSITION CONTROL	190
TRANSMISSION - MAIN PIPING (1-2)	192
TRANSMISSION - MAIN PIPING (2-2)	194
COMPONENT BREAKDOWNS - CONTROL VALVE ASSY, COMPONENTS FOR CONTROL VALVE	196
COMPONENT BREAKDOWNS - SUB PIPING	198
COMPONENT BREAKDOWNS - 3PT LINK, GC2300	200
COMPONENT BREAKDOWNS - 3PT LINK, GC2310	202
COMPONENT BREAKDOWNS - LIFT ROD, GC2300	204
COMPONENT BREAKDOWNS - LIFT ROD, GC2310	206
COMPONENT BREAKDOWNS - MOWER LINK	208
STEERING - STEERING WHEEL	210
STEERING - STEERING CONTROLER	212
STEERING - CYLINDER	214
STEERING - POWER STEERING PIPING	216
FRONT AXLE - AXLE BRACKET	218
FRONT AXLE - FILTER GUARD, FROM S/N R2026	220
FRONT AXLE - FRONT DRIVE SHAFT	222
FRONT AXLE - FRONT AXLE SET (1/2), FROM S/N R2539	224
FRONT AXLE - FRONT AXLE SET (2/2), FROM S/N R2539	226
FRONT AXLE - FRONT BEVEL CASE	230
FRONT AXLE - FRONT AXLE HOUSING	232
FRONT AXLE - FRONT GEAR CASE	234
FRONT AXLE - FRONT FINAL FRONT DRIVE SHAFT	236
FRONT AXLE - TIE ROD	238
SHEET METAL AND SEAT AND ROPS - HOOD	240
SHEET METAL AND SEAT AND ROPS - GRILLE	242
SHEET METAL AND SEAT AND ROPS - COVER	244
SHEET METAL AND SEAT AND ROPS - FENDER	246
SHEET METAL AND SEAT AND ROPS - SEAT	248
SHEET METAL AND SEAT AND ROPS - FLOOR	250
TRACTOR ELECTRICAL - HEAD LAMP	252
TRACTOR ELECTRICAL - TAIL LAMP	254
TRACTOR ELECTRICAL - INSTRUMENT PANEL	256
TRACTOR ELECTRICAL - SWITCH	258
TRACTOR ELECTRICAL - HARNESS	260
TRACTOR ELECTRICAL - BRACKET PLATE, GC2310	262
TRACTOR ELECTRICAL - ROPS, GC2310	264
TRACTOR ELECTRICAL - ROPS, GC2300	266
TRACTOR ELECTRICAL - SMV BRACKET	268
WHEELS - FRONT & REAR WHEEL	270
RECOMMENDED STOCK LIST - RECOMMENDED STOCK LIST	272



**MFC12403**

Massey Ferguson

GC2300 / GC2310 TRACTOR EFF S/N JNA25201

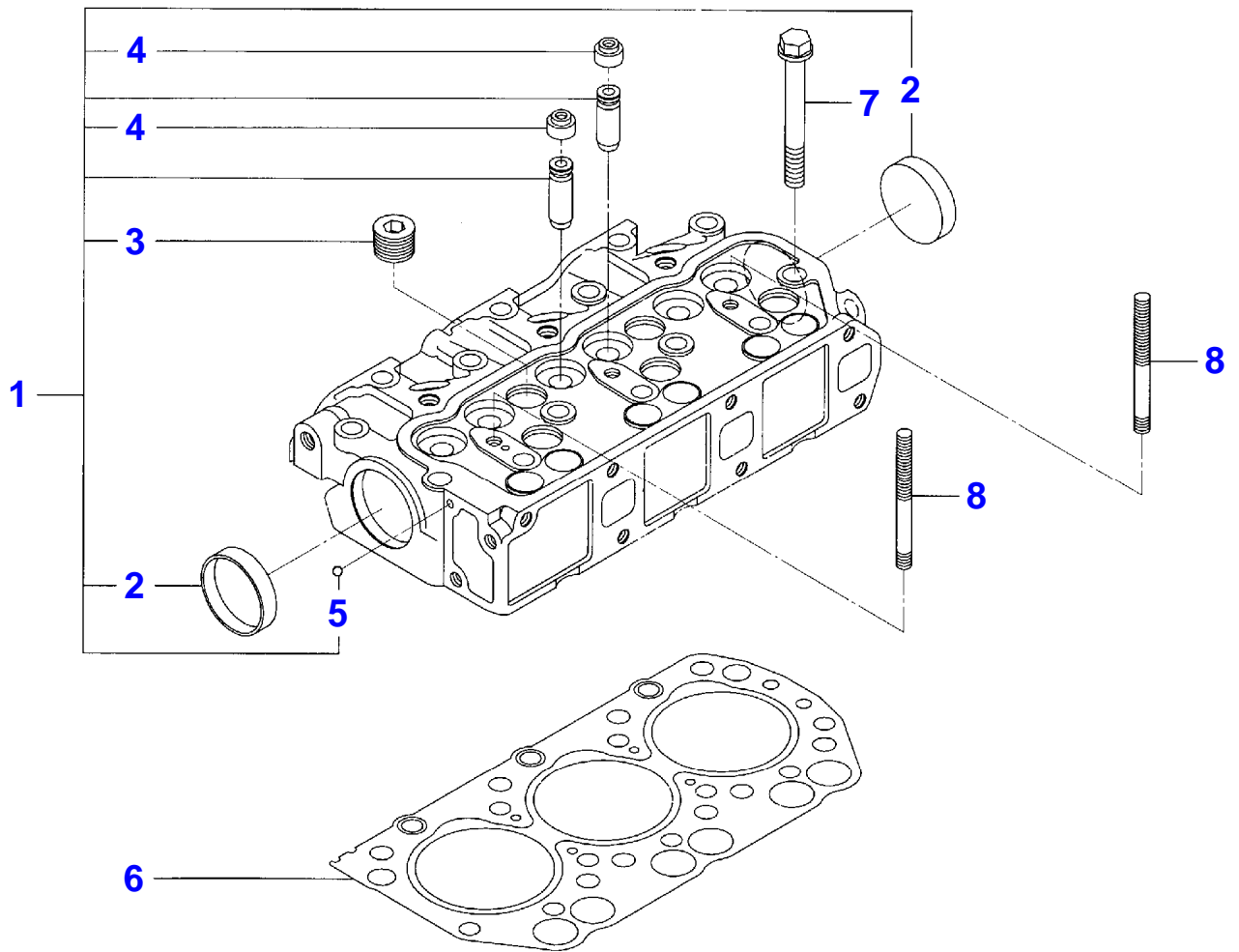
651794

ENGINE E3112VB19 - ENGINE SHORT BLOCK ASSY

Page24

Item	Part Number	Qty	Description
1	6240905M91	1	BLOCK ASSY, ENGINE SHORT

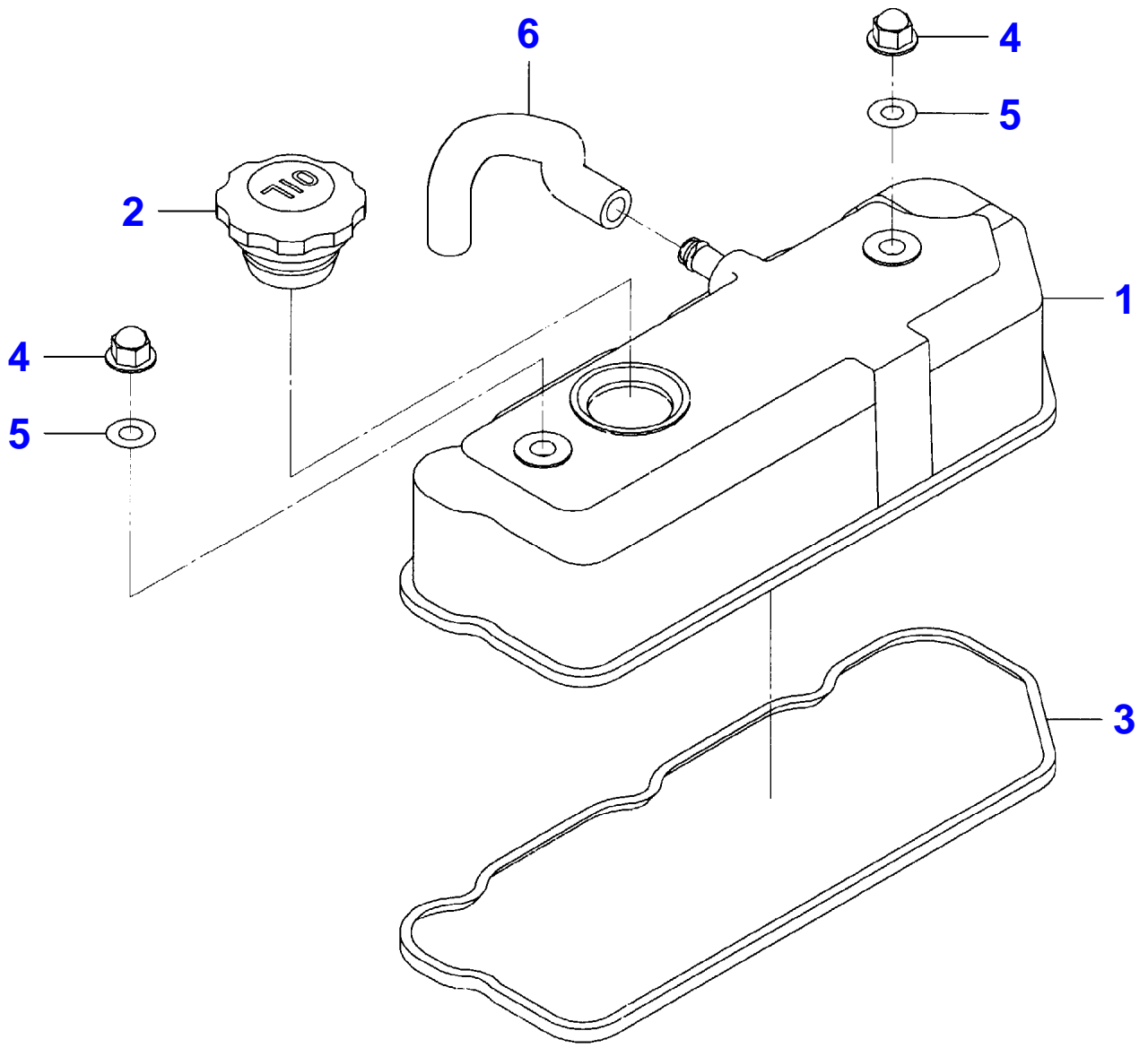
MFC12403  
PR: 6004-012J-0100



MFC8613

Item	Part Number	Qty	Description
1	4266468M93	1	HEAD ASSY, CYLINDER
2	3704389M1	2	CUP, SEALING
3	3707877M2	5	PLUG, PT1/2
4	3710256M1	6	SEAL, OIL, VALVE
5	3711713M1	1	BALL
6	3710144M2	1	GASKET, CYLINDER HEAD
7	3710109M1	14	BOLT UP TO S/N 255620
	6252529M1	14	BOLT FROM S/N 255621
8	3607420M1	2	STUD

MFC8613  
PR: t05d25I01a0001



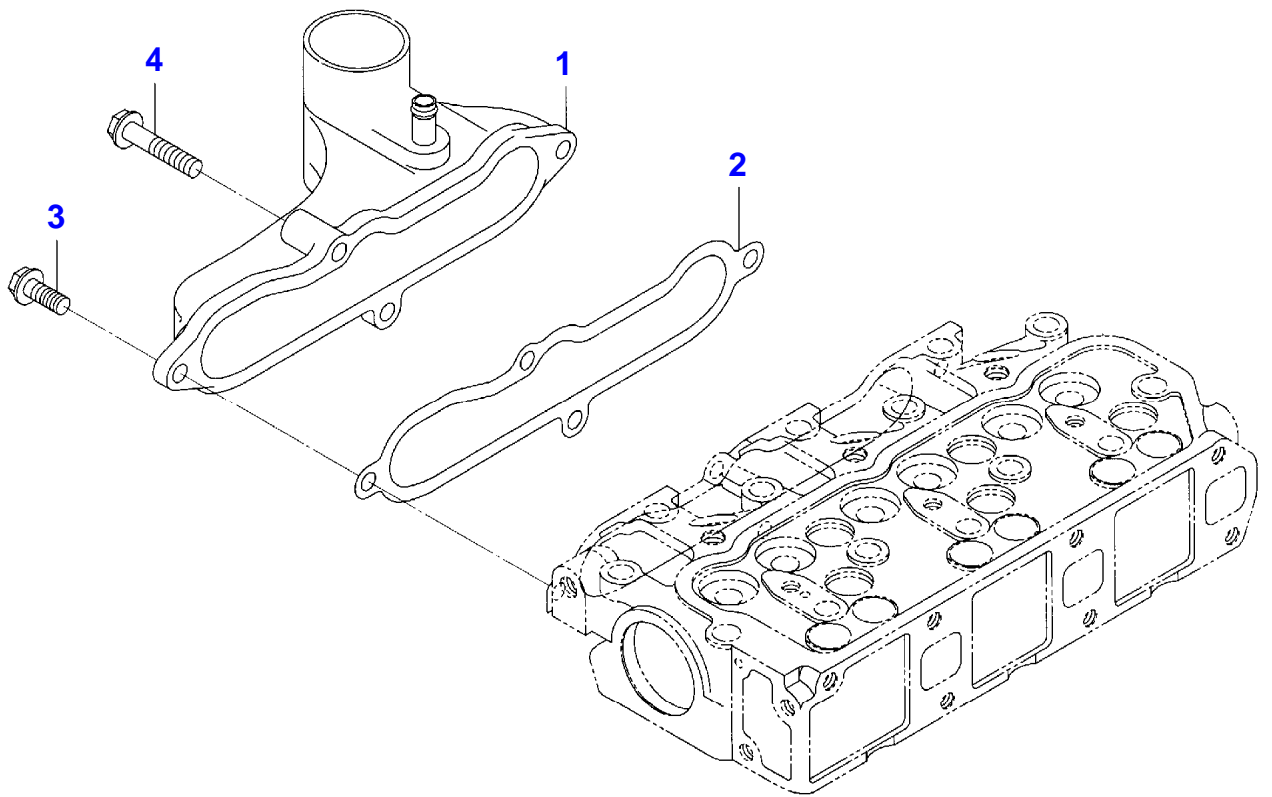
MFC8614

Item	Part Number	Qty	Description
1	3608539M92	1	COVER ASSY, CYLINDER HEAD
2	3710188M1	1	CAP, OILFILLER
3	3710151M1	1	SEAL, CYLINDER HEAD COVER
4	3710127M2	2	NUT, CAP
5	4267629M1	2	GASKET
6	3710124M1	1	HOSE, RUBBER UP TP S/N 278779
	3710124M2	1	HOSE, RUBBER FROM S/N 278780

MFC8614

PR: t05d25I01a0002



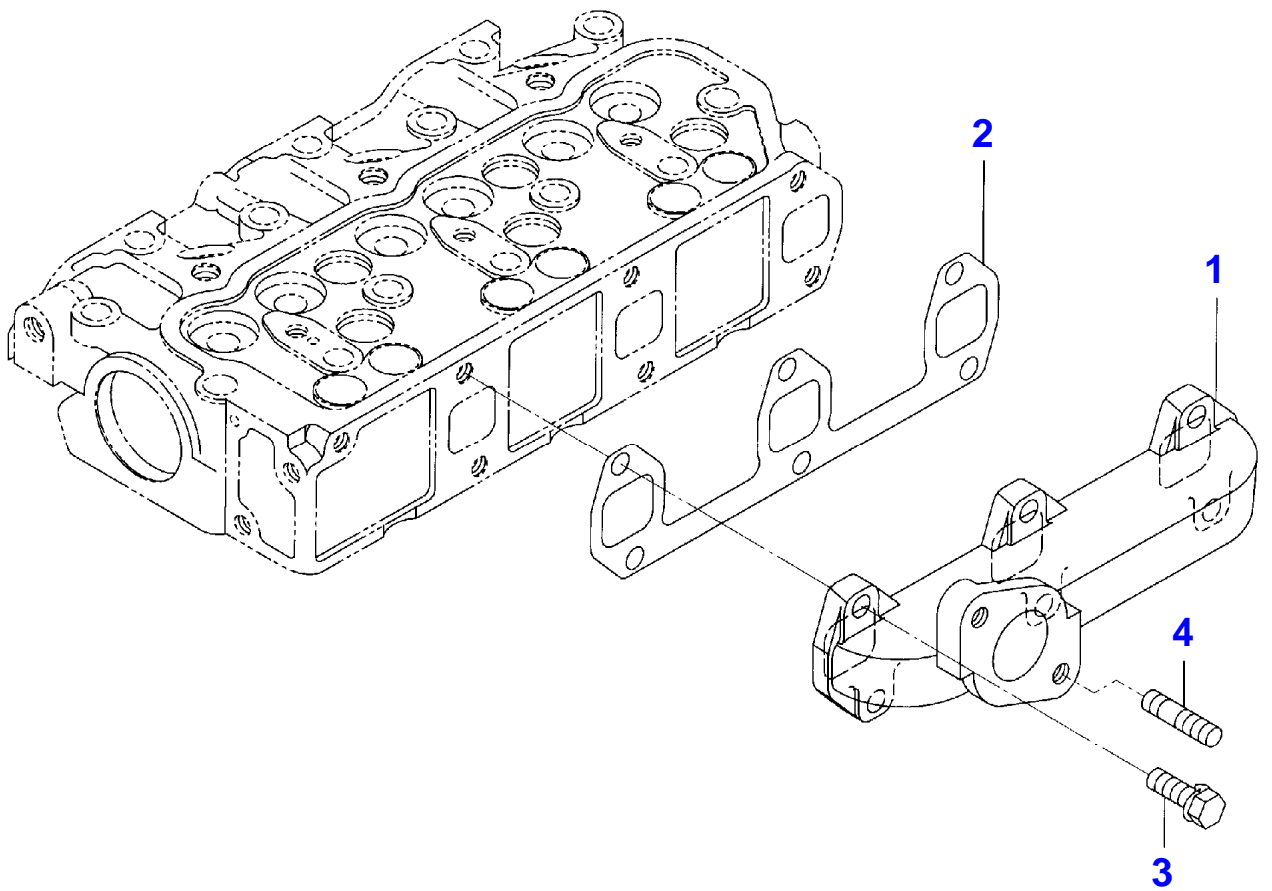


MFC8615

ENGINE E3112VB19 - INTAKE MANIFOLD

Item	Part Number	Qty	Description
1	3710307M91	1	MANIFOLD, INTAKE
2	3710309M1	1	GASKET, INTAKE
3	4267567M1	3	BOLT, FLANGE
4	4267570M1	1	BOLT, FLANGE

MFC8615  
PR: t05d25l01a0003



MFC8616

Item	Part Number	Qty	Description
1	4262617M1	1	MANIFOLD, EXHAUST
2	3710312M1	1	GASKET, MANIFOLD
3	3702273M1	6	BOLT
4	3704353M1	2	STUD

MFC8616  
PR: t05d25I01a0004

**Buy Now**



Our support email:

[ebooklibonline@outlook.com](mailto:ebooklibonline@outlook.com)