

Page Title	Page Number
PUBLICATION INFORMATION	0
DECALS & LABELS - DECALS, LEFT SIDE AND FRONT	26
DECALS & LABELS - DECALS, RIGHT SIDE AND REAR	28
DECALS & LABELS - DECALS-BRAND, LEFT SIDE AND FRONT	30
DECALS & LABELS - DECALS-BRAND, RIGHT SIDE AND REAR	32
DECALS & LABELS - DECALS, CAB	34
ENGINE - ENGINE & MOUNTS	36
ENGINE - FRONT ENGINE DRIVES, FAN, ALTERNATOR, COMPRESSOR	38
ENGINE - AIR INTAKE & EXHAUST	40
ENGINE - PTO AND PUMPS	42
ENGINE - MAIN PUMP DRIVES	44
ENGINE - COOLING SYSTEM	46
ENGINE - RADIATOR SLINGER	50
ENGINE - ROTARY SCREEN, DOOR & SCREEN	52
ENGINE - ROTARY SCREEN, MOTOR & DRIVE	54
ENGINE - FUEL LINES	56
CAB - FRAME & MOUNTING	58
CAB - WINDOWS AND DOORS	60
CAB - LH DOOR, INTERIOR & EXTERIOR HANDLES	62
CAB - INTERIOR COVERINGS & TRIM, UPPER AND FRONT	64
CAB - INTERIOR COVERINGS & TRIM, LOWER AND REAR	66
CAB - PLATFORM, LEFT & RIGHT	70
CAB - PIVOTING LADDER LH	72
CAB - DECK EXTENSION, 145" TREAD AND DUALS	74
CAB - STAIRCASE LADDER & PLATFORM	76
CAB - MIRRORS & EXTREMITY LIGHTS, REMOTE ELECTRIC ADJUST	80
CAB - WINDSHIELD WIPER	82
CAB - ROOF & INTERIOR/EXTERIOR LIGHTS	84
CAB - CONSOLE - SEAT	86
CAB - CONTROL, SERVICE BRAKES	90
CAB - BRAKE MASTER CYLINDER	92
CAB - CONTROL, PARK BRAKE & HYDRO PROPEL CABLE	94
CAB - CONTROL, GEARSHIFT	96
CAB - CONTROL, STEERING COLUMN	98
CAB - STEERING COLUMN, COMPONENTS	100
CAB - SEAT, OPERATOR & INSTRUCTOR	102
CAB - SEAT, BASE & SUSPENSION	104
CAB - SEAT, CUSHION AND BACKREST	108
CAB - HVAC, PRESSURIZER UNIT & DUCTING	112
CAB - HVAC, CONTROL PANEL, (W/O AUTOMATIC TEMP CONTROL)	114
CAB - HVAC CONTROL PANEL, (W/ AUTOMATIC TEMP CONTROL)	116
CAB - HVAC, PRESSURIZER UNIT, EVANS-TEMPCON, (W/O AUTOMATIC TEMP CONTROL)	118
CAB - HVAC, BLOWER ASY., EVANS TEMPCON, (W/O AUTOMATIC TEMP CONTROL)	120
CAB - HVAC PRESSURIZER UNIT, EVANS-TEMPCON, (W/ AUTOMATIC TEMP CONTROL)	122
CAB - AIR CONDITIONER, LINES	124
CAB - HEATER LINES	126
ELECTRICAL - FEEDER ELECTRICAL	128
ELECTRICAL - HARNESSSES & MONITORING, FRONT	130
ELECTRICAL - HARNESSSES & MONITORING, REAR	132
ELECTRICAL - ENGINE WIRING	134
ELECTRICAL - BATTERIES & CABLES	136
ELECTRICAL - CAB COMPONENTS, CONTROLS & SWITCHES	138
ELECTRICAL - CAB COMPONENTS, FUSE PANEL & HYDRO HANDLE	142
ELECTRICAL - CAB COMPONENTS, UPPER CONSOLE	144
ELECTRICAL - CAB COMPONENTS, RADIO AND ANTENNA	146
ELECTRICAL - HARNESSSES & LIGHTING, GRAIN BIN	148
ELECTRICAL - TAILLIGHT HARNESS	150
ELECTRICAL - BEACON LIGHTS, FIELD KIT	152
ELECTRICAL - HIGH INTENSITY LIGHTING, FIELD KIT	154
FEEDER - HOUSING & SHIELDS	156
FEEDER - JACK	162
FEEDER - FLOOR, MIDDLE	164
FEEDER - PIVOT SHAFT	166
FEEDER - LH PIVOT DRIVE	168
FEEDER - JACKSHAFT DRIVE, R.H. FEEDERHOUSE	170
FEEDER - JACKSHAFT & V.S. IDLER, V.S. HEADER DRIVE	172
FEEDER - HYDRAULIC LINES, V.S. HEADER DRIVE	174
FEEDER - JACKSHAFT & C'SHAFT DRIVE IDLER, FIXED SPEED HEADER DRIVE	176

TABLE OF CONTENT

FEEDER - COUNTERSHAFT, VARIABLE & FIXED SPEED HEADER DRIVE	178
FEEDER - LATCH, HEADER	180
FEEDER - CONVEYOR	182
FEEDER - FEEDER REVERSER, DRIVE & HYDRAULICS	184
FEEDER - REVERSER MOTOR, CLUTCH HOUSING & SHAFT ASSEMBLY	186
FEEDER - REVERSER MOTOR, TORQUE MOTOR ASY.	188
LATERAL TILT - HOUSING	190
LATERAL TILT - HYDRAULIC CYLINDER	194
LATERAL TILT - ANCHORS & SENSOR	196
LATERAL TILT - HYDRAULICS	198
LATERAL TILT - VALVE & CONTROL	200
PROCESSOR - FRONT BEATER	202
PROCESSOR - FRONT BEATER, DRIVE BELT AND IDLER	204
PROCESSOR - MAIN COUNTERSHAFT	206
PROCESSOR - MAIN COUNTERSHAFT, DRIVE AND IDLER	208
PROCESSOR - INLET HOUSING AND STONE TRAP	210
PROCESSOR - CAGE & CONCAVE ADJUSTERS	214
PROCESSOR - CONCAVES	216
PROCESSOR - CONCAVE BLANKS	218
PROCESSOR - SEPARATOR GRATES	220
PROCESSOR - COVER PANELS & DEFLECTORS	222
PROCESSOR - ROTOR DISCHARGE HOUSING	224
PROCESSOR - ROTOR	226
PROCESSOR - ROTOR DRIVE, GEARBOX SHIFT LINKAGE	228
PROCESSOR - ROTOR DRIVE, 3-SPEED GEARBOX	230
CHOPPER & SPREADER - JACKSHAFT DRIVE	232
CHOPPER & SPREADER - CHOPPER, SECONDARY DRIVE	234
CHOPPER & SPREADER - CHOPPER HOOD & SUPPORTS	236
CHOPPER & SPREADER - CHOPPER HOUSING, REDEKOP	240
CHOPPER & SPREADER - STRAW CHOPPER, ROTOR	244
CHOPPER & SPREADER - SPREADER SECONDARY DRIVE	246
CHOPPER & SPREADER - STRAW SPREADER, DRIVE GROUP & HOUSING	248
CHOPPER & SPREADER - STRAW SPREADER, PADDLE & GUARDS GROUP	250
CHOPPER & SPREADER - STRAW SPREADER, DRIVE SHIELDS (EARLY PROD'N)	252
CHOPPER & SPREADER - STRAW SPREADER, DRIVE SHIELDS	254
CHOPPER & SPREADER - CHAFF SPREADER, HYDRAULIC DRIVE	256
CHOPPER & SPREADER - CHAFF SPREADER, FAN HOUSING, REKORD, 71411972	258
CHOPPER & SPREADER - CHAFF SPREADER, HYDRAULICS, REKORD, 71411972	260
SEPARATOR - LOWER FAN & AUGER HOUSING	262
SEPARATOR - CLEANING FAN & LEAF SCREEN	264
SEPARATOR - VARIABLE SPEED FAN DRIVE	266
SEPARATOR - SEPARATOR PAN	268
SEPARATOR - PITMAN SHAFT	270
SEPARATOR - SHOE SHAKER	272
SEPARATOR - CLEANING SHOE, UPPER FRAME & SIEVES	276
SEPARATOR - CLEANING SHOE, LOWER PAN	278
SEPARATOR - ELECTRIC ADJUSTABLE SIEVES	280
SEPARATOR - PITMAN DRIVE	282
GRAIN BIN & ELEVATORS - GRAIN ELEVATOR DRIVE	284
GRAIN BIN & ELEVATORS - GRAIN ELEVATOR, LOWER	286
GRAIN BIN & ELEVATORS - GRAIN ELEVATOR, HEAD ASSEMBLY	288
GRAIN BIN & ELEVATORS - GRAIN ELEVATOR, BIN FILL AUGER	290
GRAIN BIN & ELEVATORS - GRAIN ELEVATOR, HEAD MOUNTING & SUPPORTS	292
GRAIN BIN & ELEVATORS - RETURN ELEVATOR, LOWER	294
GRAIN BIN & ELEVATORS - RETURN ELEVATOR, UPPER	296
GRAIN BIN & ELEVATORS - RETURN ELEVATOR DRIVE	298
GRAIN BIN & ELEVATORS - UNLOADING AUGER, LOWER CROSS AUGER	300
GRAIN BIN & ELEVATORS - UNLOADING AUGER, UPPER, INSIDE	304
GRAIN BIN & ELEVATORS - UNLOADING AUGER, UPPER, EXTERNAL	306
GRAIN BIN & ELEVATORS - UNLOADING AUGER ASSEMBLY, OUTBOARD	308
GRAIN BIN & ELEVATORS - UNLOADER, SPOUT & SPILL SAVER, (EARLY PRODUCTION)	310
GRAIN BIN & ELEVATORS - UNLOADER, SPILL REDUCER, (LATER '07 PRODUCTON)	312
GRAIN BIN & ELEVATORS - COVERS, LOWER CROSS UNLOADING AUGER	314
GRAIN BIN & ELEVATORS - UNLOADER DRIVE AND CLUTCH	316
GRAIN BIN & ELEVATORS - GRAIN BIN, LOWER STRUCTURE	318
GRAIN BIN & ELEVATORS - GRAIN BIN, UPPER COMPONENTS	320
GRAIN BIN & ELEVATORS - FUEL TANKS	322
GRAIN BIN & ELEVATORS - BIN EXTENSIONS	324
SHIELDS - ENGINE COVER	326
-----	---

TABLE OF CONTENT

SHIELDS - ENGINE DECK	328
SHIELDS - REAR HANDRAILS	330
SHIELDS - REAR LADDERS	332
SHIELDS - SIDE SHIELDS, LEFT SIDE	334
SHIELDS - SHIELD GROUP, LEFT FRONT	336
SHIELDS - SHIELD GROUP, LEFT REAR	338
SHIELDS - SIDE SHIELDS, RIGHT SIDE	340
SHIELDS - SHIELD GROUP, RIGHT FRONT	342
SHIELDS - SHIELD GROUP, RIGHT MIDDLE	344
SHIELDS - SHIELD GROUP, RIGHT REAR	346
SHIELDS - MUD SHIELDS, LEFT SIDE	348
SHIELDS - MUD SHIELDS, RIGHT SIDE	352
HYDRAULICS - CYLINDERS, HEADER LIFT	354
HYDRAULICS - RESERVOIR, MOUNTING AND PLUMBING	356
HYDRAULICS - RESERVOIR	358
HYDRAULICS - PRIORITY VALVE	360
HYDRAULICS - HYDRO SUCTION PLUMBING	362
HYDRAULICS - HYDRO PLUMBING, ENGINE LEFT	364
HYDRAULICS - PROPEL MOTOR PLUMBING	366
HYDRAULICS - ROTOR MOTOR PLUMBING	368
HYDRAULICS - SYSTEM PUMP	370
HYDRAULICS - STEERING CONTROL PLUMBING, UPPER	372
HYDRAULICS - STEERING UNIT PLUMBING	374
HYDRAULICS - STEERING PLUMBING, REAR CYLINDERS	376
HYDRAULICS - STEERING CYLINDER TRAILING AXLE, (71408752 CYLINDER ASSEMBLY-STEERING)	378
HYDRAULICS - STEERING CYLINDER, RWA AXLE	380
HYDRAULICS - ACCUMULATOR, PARKER	382
HYDRAULICS - UNLOADER SWING AND CLUTCH	384
HYDRAULICS - CONTROL VALVE SUPPLY, RIGHT SIDE	386
HYDRAULICS - CONTROL VALVE AND ACCUMULATOR, RIGHT SIDE	388
HYDRAULICS - HYDRAULIC CONTROL VALVE, (71406988 VALVE ASSEMBLY)	390
HYDRAULICS - ROTARY SCREEN MOTOR PLUMBING	392
HYDRAULICS - OIL COOLER PLUMBING, RIGHT SIDE	394
HYDRAULICS - HEADER SUPPLY PLUMBING	396
HYDRAULICS - REEL FORE/AFT, EXPORT	398
HYDRAULICS - FEEDER LIFT CYL. PLUMBING	400
HYDRAULICS - DRUM BRAKE, LINES AND FITTINGS	402
HYDRAULICS - GREASE LINES, FRONT FEEDER	404
HYDRAULICS - GREASE LINES, LEFT SIDE	406
HYDRAULICS - GREASE LINES, LEFT REAR	408
HYDRAULICS - GREASE LINES, RIGHT SIDE	410
HYDRAULICS - ROTOR PUMPS, TANDEM PUMP	412
HYDRAULICS - ROTOR PUMP, FRONT, 1 OF 4	414
HYDRAULICS - ROTOR PUMP, FRONT, 2 OF 4	416
HYDRAULICS - ROTOR PUMP, FRONT, 3 OF 4	418
HYDRAULICS - ROTOR PUMP, FRONT, 4 OF 4	420
TRANSMISSION & AXLES - MAIN SIDE FRAMES	422
TRANSMISSION & AXLES - FRONT AXLE AND FINAL DRIVES	424
TRANSMISSION & AXLES - FINAL DRIVE, S41	426
TRANSMISSION & AXLES - 4" AXLE RISERS, FINAL DRIVE	428
TRANSMISSION & AXLES - TRANSMISSION, GEAR, PRESSURE LUBE & HYDRO MOTOR	430
TRANSMISSION & AXLES - TRANSMISSION, GEAR, INPUT SHAFT & GEARS	432
TRANSMISSION & AXLES - TRANSMISSION, GEAR, INTERMEDIATE & MAIN SHAFT	434
TRANSMISSION & AXLES - TRANSMISSION, GEAR, DIFFERENTIAL	436
TRANSMISSION & AXLES - DRUM BRAKES, SERVICE & PARKING	438
TRANSMISSION & AXLES - MOTOR, HYDRO PROPEL, COMPONENTS	440
TRANSMISSION & AXLES - REAR AXLE, SUPPORT AND CENTER BEAM	442
TRANSMISSION & AXLES - REAR TRAILING AXLE, ADJUSTABLE TREAD	444
TRANSMISSION & AXLES - SPINDLE HOUSING ASSEMBLY	446
TRANSMISSION & AXLES - AXLE AND WHEELS, REAR WHEEL ASSIST	448
TRANSMISSION & AXLES - AXLE ASSEMBLY, REAR WHEEL ASSIST	450
TRANSMISSION & AXLES - WHEEL MOTOR UNIT, REAR WHEEL ASSIST	454
TRANSMISSION & AXLES - RWA PLUMBING	456
TRANSMISSION & AXLES - SELECTOR AND FLOW DIVIDER VALVE, REAR WHEEL ASSIST	458
TRANSMISSION & AXLES - WHEELS, FRONT DRIVE	460
DRIVES - BELTS, LEFT	462
DRIVES - BELTS, RIGHT	464
DRIVES - CHAINS, DRIVE	466
FIELDSTAR II SYSTEM - YIELD MONITOR SYSTEM W/ 1 HZ WAAS DGPS	468
FIELDSTAR II SYSTEM - SOFTWARE/DATA CARD	472

Massey Ferguson

9895 COMBINE (EFFECTIVE S/N HSC8101)

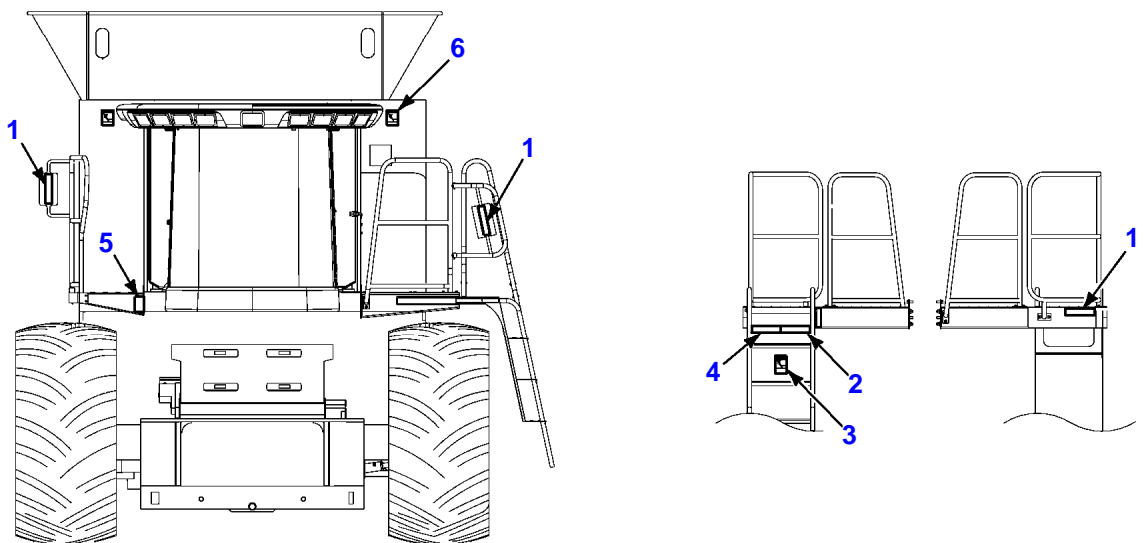
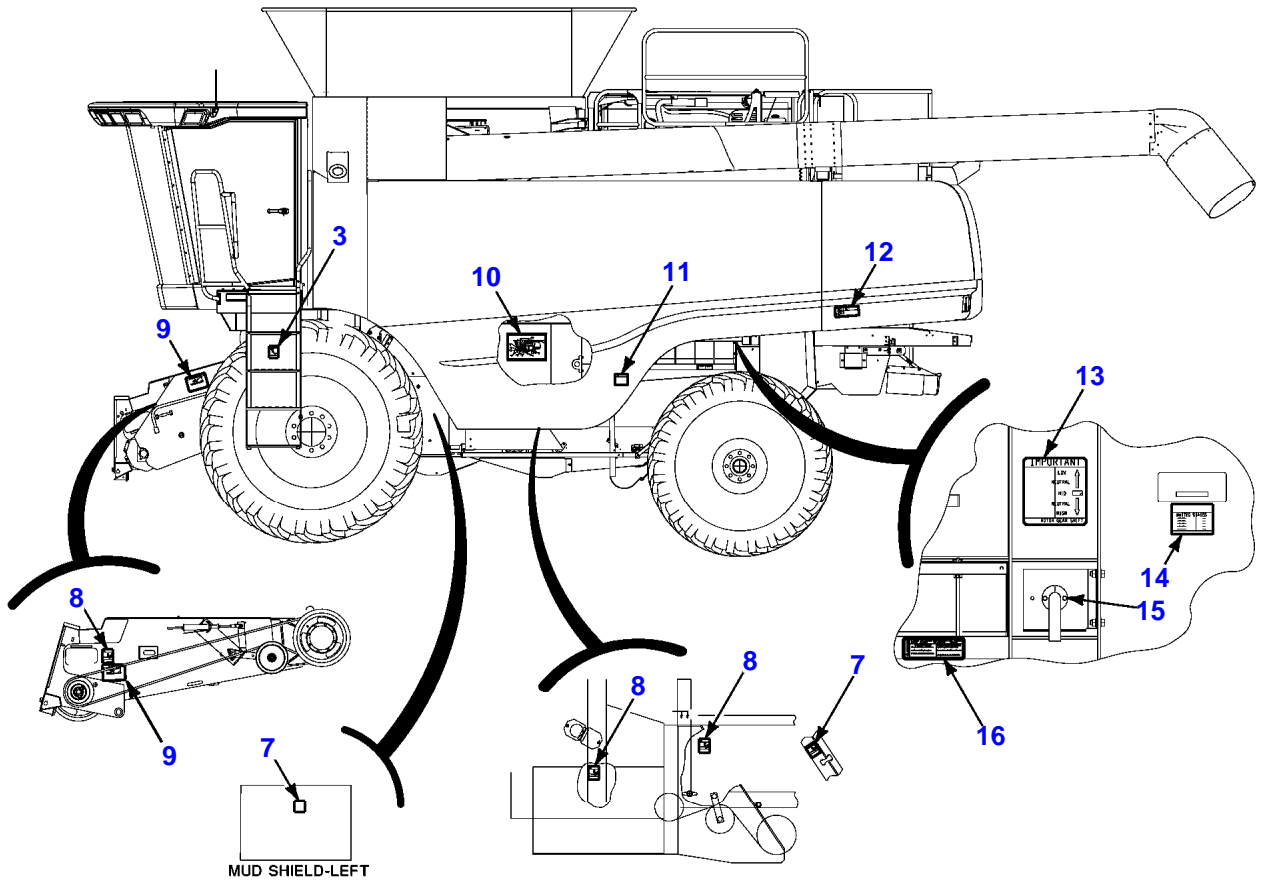
651799

TABLE OF CONTENT

Page00-00

RECOMMENDED DEALER STOCK - RECOMMENDED DEALER STOCK

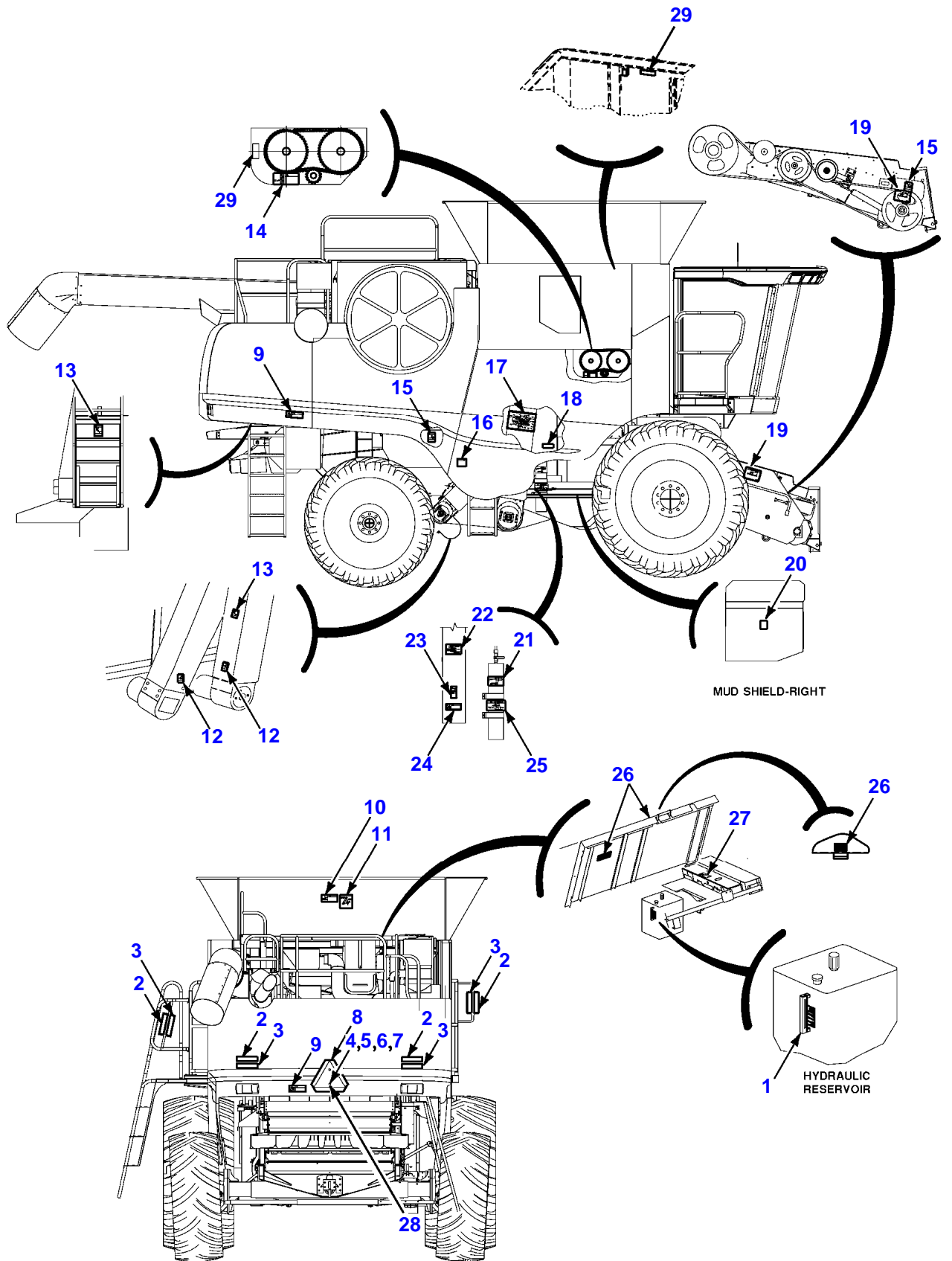
474



MC00495

Item	Part Number	Qty	Description
1	700717403	3	DECAL-REFLECTOR, AMBER
2	700717404	1	DECAL-REFLECTOR, RED/ORANGE
3	700721781	2	DECAL-WARNING, KEEP OFF
4	700717402	1	DECAL-REFLECTOR, RED
5	71379129	1	DECAL-WARNING, FALLING OFF
6	71379130	2	DECAL-WARNING, GRAIN TANK
7	111670W1	2	DECAL-WARNING, BELT OR CHAIN
8	111091W1	3	DECAL-DANGER, SHIELD MISSING
9	111095W1	2	DECAL-DANGER, HEADER FALLING
10	700728353	1	DECAL-LUBE, LEFT
11	71379128	1	DECAL-WARNING, SHIELDS IN PLACE
12	71379127	1	DECAL-WARNING, STAND CLEAR
13	71406323	1	DECAL-IMPORTANT, GEAR SHIFT
14	590769M1	1	DECAL-PATENT
15	700727993	1	DECAL-BATTERY SWITCH
16	700728459	1	DECAL-DANGER, BATTERY

MC00495
PR: t06g24h33d0001

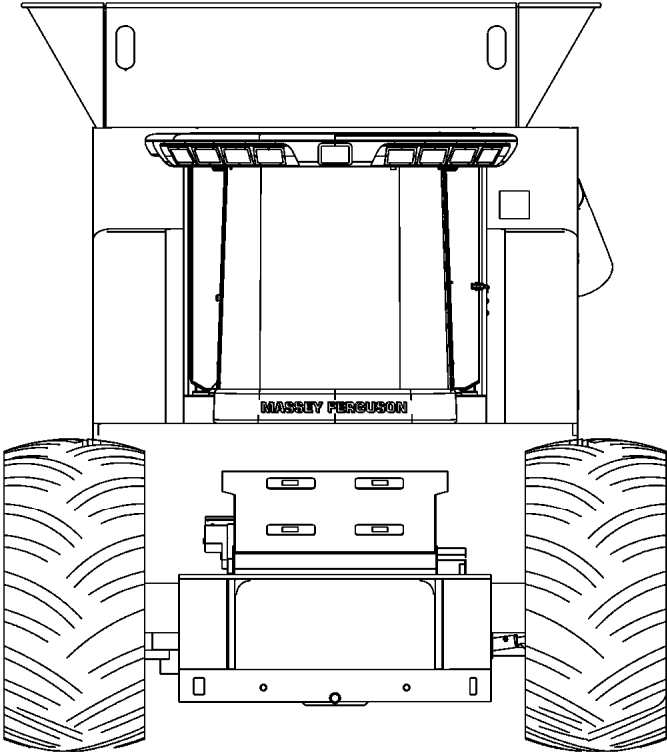


MC00496

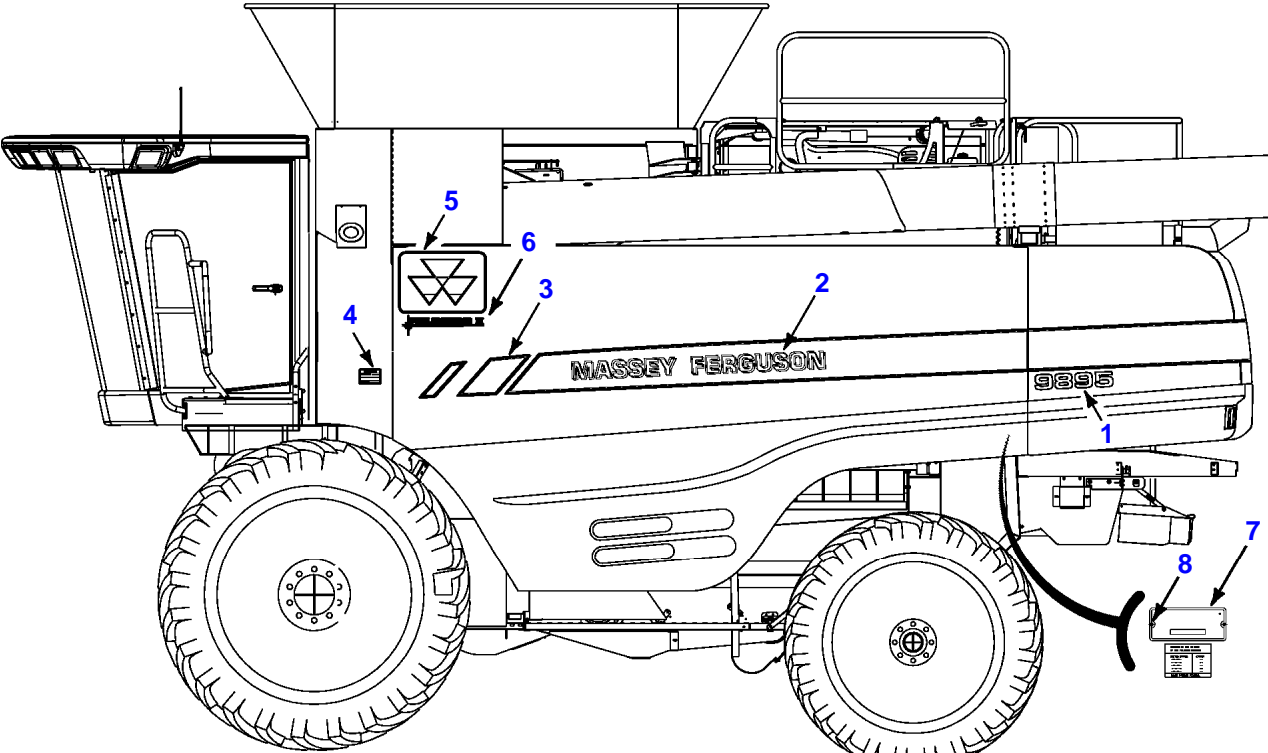
Item	Part Number	Qty	Description
1	700729019	1	DECAL-HYDRAULIC RESERVOIR
2	700717402	4	DECAL-REFLECTOR, RED
3	700717404	4	DECAL-REFLECTOR, RED/ORANGE
4	7772031	2	SCREW, SERR FLANGE, 1/4-20 X 1-1/4
5	700716408	2	WASHER, BLACK RUBBER, .31 X 1.0 DIA
6	70931209	2	NUT, SERR FLANGE, 1/4-20
7	70916952	2	WING NUT, 1/4-20
8	7020589	1	EMBLEM-SMV
9	71379127	2	DECAL-WARNING, STAND CLEAR
10	111736W2	1	DECAL-DANGER, STOP ENGINE
11	71368074	1	DECAL-BIN LOADER
12	111743W1	2	DECAL-WARNING, HANDS AWAY
13	71379129	2	DECAL-WARNING, FALLING OFF
14	111741W1	1	DECAL-DANGER, CLEANOUT
15	111091W1	2	DECAL-DANGER, SHIELD MISSING
16	71379128	1	DECAL-WARNING, SHIELDS IN PLACE
17	700728354	1	DECAL-LUBE, RIGHT
18	700720727	1	DECAL-DANGER, BELT OR CHAIN
19	111095W1	2	DECAL-DANGER, HEADER FALLING
20	111670W1	1	DECAL-WARNING, BELT OR CHAIN
21	71370232	1	DECAL-ACCUMULATOR
22	71409188	1	DECAL-VALVE STACK
23	71379126	1	DECAL-WARNING, FLUID PRESSURE
24	71348560	1	DECAL-DANGER
25	71371720	1	DECAL-DANGER, RAM STOP
26	71379132	2	DECAL-WARNING, BELT, FAN, HOT
27	700720605	1	DECAL-WARNING, RADIATOR CAP
28	70927009	4	WASHER, .266 X .875 X .060
29	71420222	2	DECAL-SHEAR BOLT

MC00496

PR: t06g24h33d0002



FRONT



LEFT SIDE

MC00487

Massey Ferguson

9895 COMBINE (EFFECTIVE S/N HSC8101)

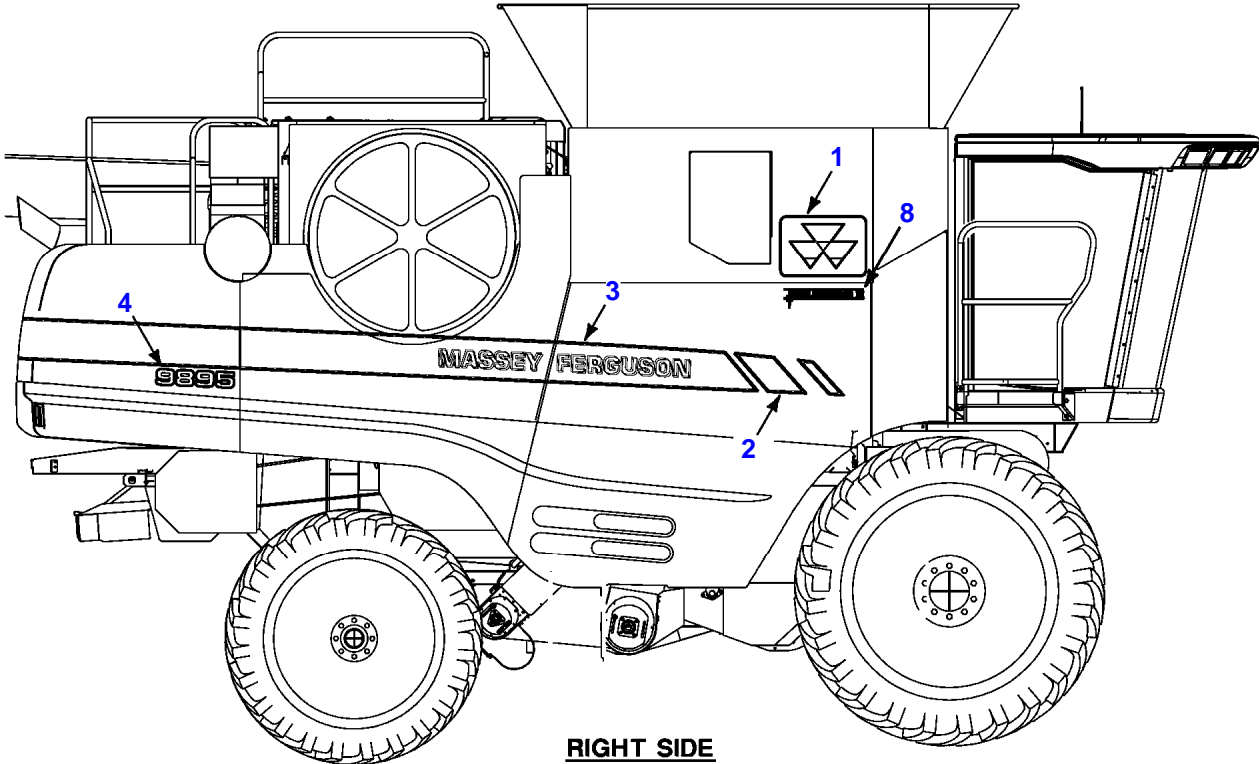
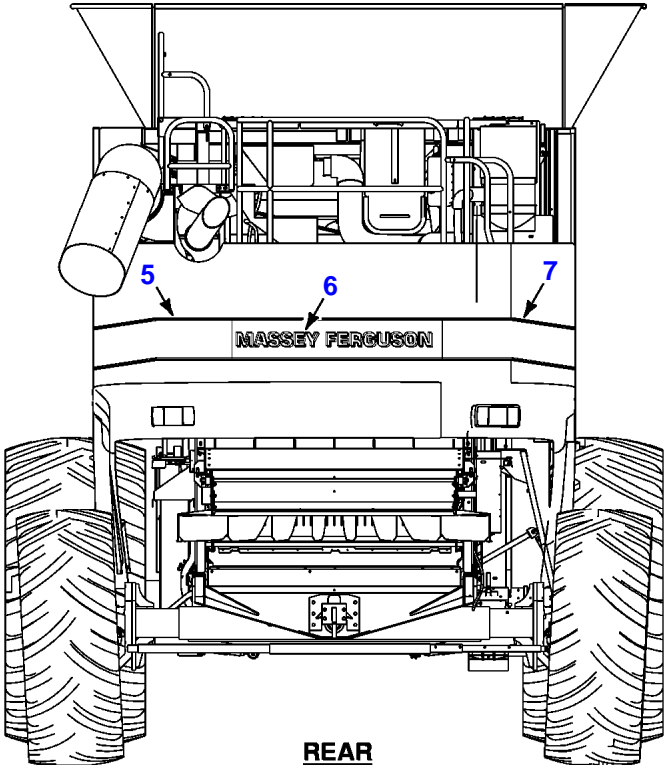
651799

DECALS & LABELS - DECALS-BRAND, LEFT SIDE AND FRONT

Page30

Item	Part Number	Qty	Description
1	700727849	1	DECAL-9895
2	700727843	1	DECAL-LEFT, MF LOGO
3	700727841	1	DECAL-LEFT FRONT
4	700728486	1	DECAL-TIRE USAGE
5	700727848	1	DECAL-EMBLEM, MF
6	700729424	1	DECAL, FIELDSTAR II
7	----	1	PLATE, SERIAL (NOT SERVICE)
8	70924946	2	RIVET, 1/8 X 9/32

MC00497
PR: t06g24h33d0003



MC00498

Item	Part Number	Qty	Description
1	700727848	1	DECAL-EMBLEM, MF
2	700727847	1	DECAL-RIGHT FRONT
3	700727906	1	DECAL-RIGHT, MF LOGO
4	700727849	1	DECAL-9895
5	700727961	1	DECAL-LEFT CORNER
6	700727844	1	DECAL-LEFT BACK, MF LOGO
7	700727845	1	DECAL-RIGHT CORNER
8	700729424	1	DECAL, FIELDSTAR II

MC00498
PR: t06g24h33d0004

Buy Now



Our support email:

ebooklibonline@outlook.com