

Page Title	Page Number
PUBLICATION INFORMATION	0
DECALS & LABELS - LEFT SIDE & FRONT LABELS, (PRIOR S/N HS87101)	36
DECALS & LABELS - RIGHT SIDE & REAR LABELS, (PRIOR S/N HS87101)	38
DECALS & LABELS - LEFT SIDE & FRONT LABELS, (EFF. S/N HS87101)	40
DECALS & LABELS - RIGHT SIDE & REAR LABELS, (EFF. S/N HS87101)	42
ENGINE - ENGINE & MOUNTS, CUMMINS, (PRIOR S/N HR87101)	44
ENGINE - ENGINE & MOUNTS, SISU, (EFF. S/N HR87101)	48
ENGINE - CYLINDER BLOCK, SISU	52
ENGINE - FRONT GEAR HOUSING, SISU	54
ENGINE - FLYWHEEL AND HOUSING, SISU	56
ENGINE - CRANKSHAFT, SISU	58
ENGINE - CAMSHAFT AND VALVE TRAIN, SISU	60
ENGINE - CYLINDER HEAD, SISU	62
ENGINE - INTAKE & EXHAUST MANIFOLD, SISU	64
ENGINE - TURBOCHARGER, SISU	66
ENGINE - OIL SUMP & PUMP, SISU	68
ENGINE - OIL COOLER & FILTER, SISU	70
ENGINE - CENTRIFUGAL OIL CLEANER, SISU	72
ENGINE - WATER PUMP SYSTEM, SISU	74
ENGINE - INJECTOR PUMP SYSTEM, SISU	76
ENGINE - FUEL FILTERS, SISU	78
ENGINE - ENGINE ELECTRICAL, SISU	80
ENGINE - ALTERNATOR & MOUNTING, SISU	82
ENGINE - STARTER MOTOR, SISU	84
ENGINE - DRIVE BELT SYSTEM, SISU, (PRIOR ENG. S/N T11858)	86
ENGINE - DRIVE BELT SYSTEM, SISU, (EFF. ENG. S/N T11858)	88
ENGINE - ENGINE OVERHAUL KITS, SISU	90
ENGINE - COOLING FAN DRIVE KIT, CUMMINS, (PRIOR S/N HR87101)	92
ENGINE - AIR INTAKE AND EXHAUST, CUMMINS QSC ENGINE, (PRIOR S/N HR87101)	94
ENGINE - AIR CLEANER, CUMMINS QSC ENGINE	98
ENGINE - AIR INTAKE AND EXHAUST, SISU ENGINE, (EFF. S/N HR87101)	100
ENGINE - MAIN ENGINE DRIVES	104
ENGINE - COOLING SYSTEM, (PRIOR S/N HR87101)	110
ENGINE - COOLING SYSTEM, SISU, (EFF. S/N HR87101)	114
ENGINE - RADIATOR SLINGER	120
ENGINE - ROTARY SCREEN, DOOR & SCREEN, (PRIOR S/N HR87101)	122
ENGINE - ROTARY SCREEN, DOOR & SCREEN, SISU, (EFF. S/N HR87101)	124
ENGINE - ROTARY SCREEN, MOTOR & DRIVE, SISU, (EFF. S/N HR87101)	126
ENGINE - FUEL LINES, (STRAINER MOUNT AT FUEL TANK)	128
ENGINE - FUEL LINES, (EFF. S/N HR87- STRAINER MOUNT ON ELEV.)	132
ENGINE - FUEL FILTER & LINES KIT, (EAST EUROPE)(PRIOR MID-PRODN S/N HR87-)	134
ENGINE - FUEL FILTER OPTION, (EFF. S/N HR87- STRAINER MOUNT ON ELEV.)	136
CAB - FRAME & MOUNTING	138
CAB - WINDOWS AND DOORS	142
CAB - LH DOOR, INTERIOR & EXTERIOR HANDLES	144
CAB - INTERIOR COVERINGS & TRIM, UPPER AND FRONT	146
CAB - INTERIOR COVERINGS & TRIM, LOWER AND REAR	148
CAB - PLATFORM, LEFT & RIGHT	152
CAB - PIVOTING LADDER LH	154
CAB - PLATFORM AND POWERFOLD LADDER, LEFT HAND	156
CAB - DECK EXTENSION, 145" TREAD AND DUALS	158
CAB - STAIRCASE LADDER & PLATFORM	160
CAB - MIRRORS & EXTREMITY LIGHTS, MANUAL & ELECTRIC ADJUST	164
CAB - WINDSHIELD WIPER	166
CAB - ROOF & INTERIOR/EXTERIOR LIGHTS	168
CAB - CONSOLE - SEAT	170
CAB - CONTROL, SERVICE BRAKES	174
CAB - BRAKE MASTER CYLINDER	176
CAB - CONTROL, PARK BRAKE & HYDRO PROPEL CABLE	178
CAB - CONTROL, GEARSHIFT	180
CAB - CONTROL, STEERING COLUMN	182
CAB - STEERING COLUMN	184
CAB - SEAT, OPERATOR & INSTRUCTOR	186
CAB - SEAT, BASE & SUSPENSION	188
CAB - SEAT, CUSHION AND BACKREST	192
CAB - HVAC, PRESSURIZER UNIT & DUCTING	196
CAB - HVAC, CONTROL PANEL, WITH MANUAL TEMP CONTROL	198
CAB - HVAC CONTROL PANEL, WITH AUTO TEMP CONTROL	200

TABLE OF CONTENT

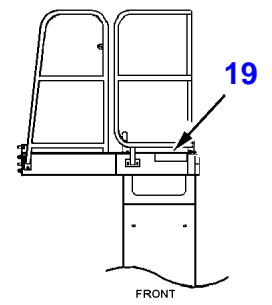
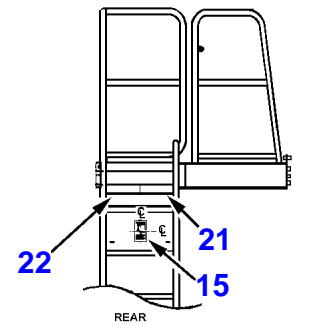
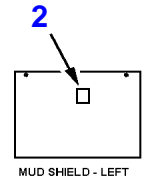
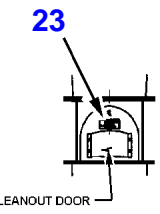
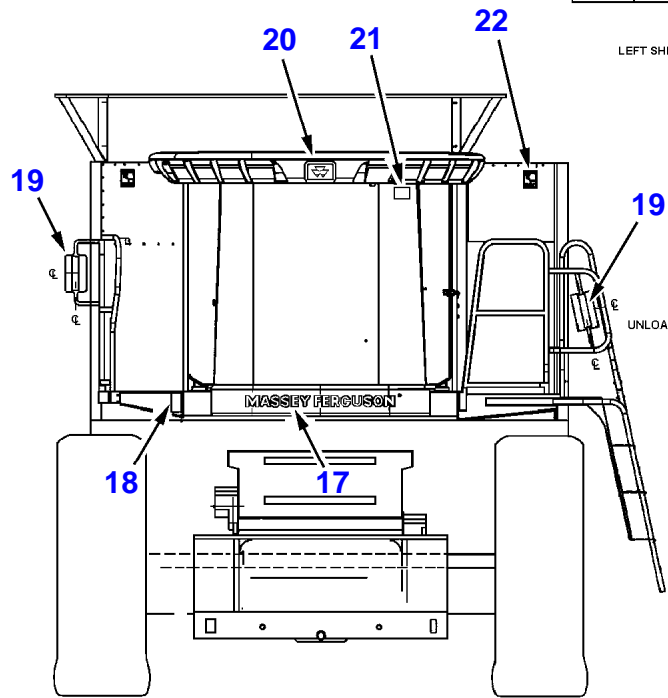
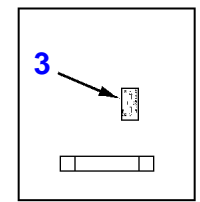
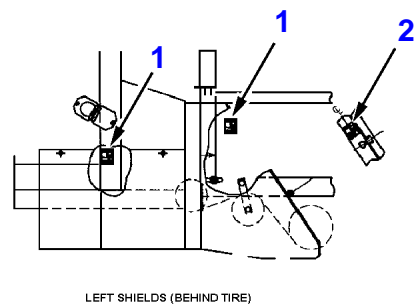
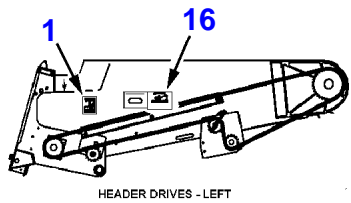
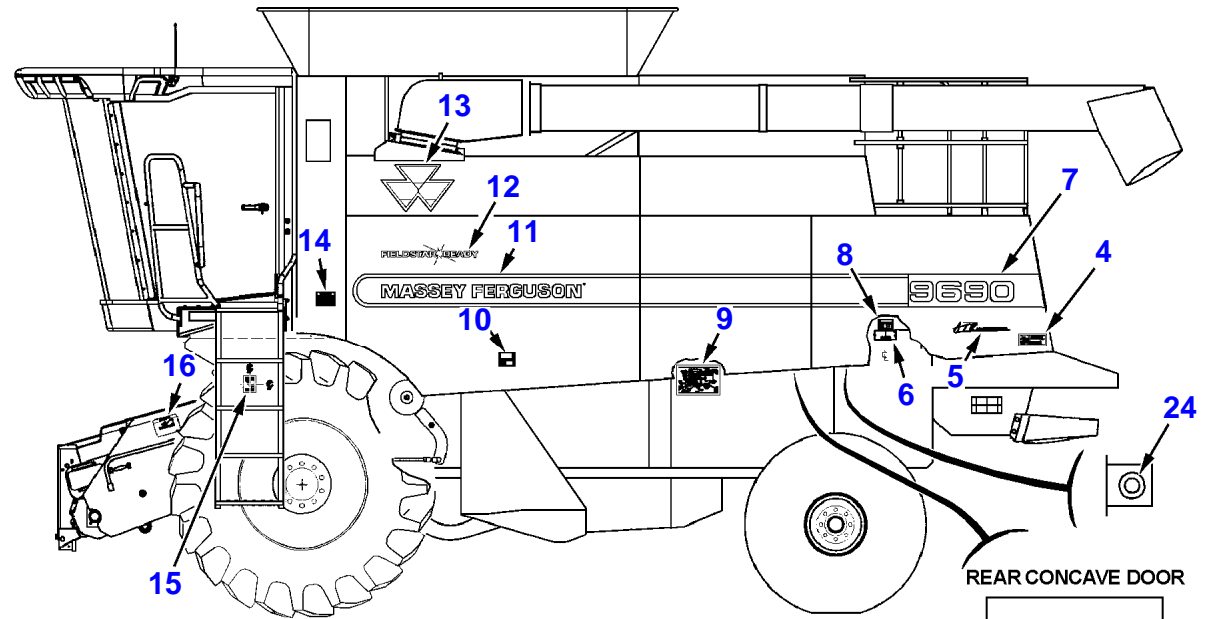
CAB - HVAC PRESSURIZER UNIT, EVANS-TEMPCON, WITH MANUAL TEMP CONTROL	202
CAB - HVAC BLOWER ASY., EVANS TEMPCON, WITH MANUAL TEMP CONTROL	206
CAB - HVAC PRESSURIZER UNIT, EVANS-TEMPCON, WITH AUTO TEMP CONTROL	208
CAB - AIR CONDITIONER, LINES	210
CAB - AIR CONDITIONER, COMPRESSOR (SANDEN)	212
CAB - HEATER LINES, (PRIOR S/N HR87101)	214
CAB - HEATER LINES, (EFF. S/N HR87101)	216
ELECTRICAL - FEEDER ELECTRICAL, (PRIOR S/N HS87101)	218
ELECTRICAL - FEEDER ELECTRICAL, (EFF. S/N HS87101)	220
ELECTRICAL - ELECTRICAL HARNESSSES & SWITCHES, FRONT	222
ELECTRICAL - ENGINE & BATTERY WIRING, (PRIOR S/N HR87101)	224
ELECTRICAL - ENGINE & BATTERY WIRING, (EFF. S/N HR87101)	228
ELECTRICAL - ALTERNATOR - 150 AMP, (PRIOR S/N HR87101)	232
ELECTRICAL - GRID HEATER, (PRIOR S/N HR87101)	234
ELECTRICAL - CAB COMPONENTS, CONTROLS & SWITCHES	236
ELECTRICAL - CAB COMPONENTS, FUSE PANEL & HYDRO HANDLE	240
ELECTRICAL - CAB COMPONENTS, UPPER CONSOLE	242
ELECTRICAL - CAB COMPONENTS, RADIO AND ANTENNA	244
ELECTRICAL - MONITORING SYSTEMS, DIGITAL TACHOMETER	246
ELECTRICAL - HARNESSSES & LIGHTING, GRAIN BIN	248
ELECTRICAL - ELECTRICAL HARNESSSES, REAR	250
ELECTRICAL - BEACON LIGHTS, FIELD KIT	252
ELECTRICAL - HIGH INTENSITY LIGHTING, FIELD KIT	254
ELECTRICAL - STARTER MOTOR	256
ELECTRICAL - ALTERNATOR, DELCO #1117965	260
ELECTRICAL - SERVICE CONNECTORS, HARNESS REPAIR	262
FEEDER - HOUSING & SHIELDS, (PRIOR S/N HP87101)	266
FEEDER - HOUSING & SHIELDS, (EFF. S/N HP87101)	270
FEEDER - JACK	276
FEEDER - FEED FLOOR	278
FEEDER - PIVOT SHAFT, (PRIOR S/N HP87101)	280
FEEDER - PIVOT SHAFT, (EFF. S/N HP87101)	282
FEEDER - LH PIVOT DRIVE, (EFF. S/N HP87101)	284
FEEDER - RH DRIVE, (PRIOR S/N HP87101)	286
FEEDER - JACKSHAFT DRIVE, R.H. FEEDERHOUSE, (EFF. S/N HP87101)	288
FEEDER - JACKSHAFT & V.S. IDLER, V.S. HEADER DRIVE, (EFF. S/N HP87101)	290
FEEDER - HYDRAULIC LINES, V.S. HEADER DRIVE, (EFF. S/N HP87101-HR87999)	292
FEEDER - HYDRAULIC LINES, V.S. HEADER DRIVE, (EFF. S/N HS87101)	294
FEEDER - JACKSHAFT & C'SHAFT DRIVE IDLER, FIXED SPEED HEADER DRIVE, (EFF. S/N HP87101)	296
FEEDER - COUNTERSHAFT, HEADER DRIVE, (PRIOR S/N HP87101)	298
FEEDER - COUNTERSHAFT, VARIABLE & FIXED SPEED HEADER DRIVE, (EFF. S/N HP87101)	300
FEEDER - LATCH, HEADER	302
FEEDER - CONVEYOR, (PRIOR S/N HP87101)	304
FEEDER - CONVEYOR, (EFF. S/N HP87101)	306
FEEDER - FEEDER REVERSER, LINES & FITTINGS, (PRIOR S/N HP87101)	308
FEEDER - FEEDER REVERSER, DRIVE & HYDRAULICS, (EFF. S/N HP87101)	310
FEEDER - REVERSER MOTOR & CLUTCH, COMPONENTS, (PRIOR S/N HP87101)	312
FEEDER - REVERSER MOTOR, CLUTCH HOUSING & SHAFT ASSEMBLY, (EFF. S/N HP87101)	314
FEEDER - REVERSER MOTOR, TORQUE MOTOR ASY., (EFF. S/N HP87101)	316
LATERAL TILT - HOUSING	318
LATERAL TILT - ANCHORS & SENSOR	322
LATERAL TILT - HYDRAULIC CYLINDER, (PRIOR S/N HN87101)	324
LATERAL TILT - HYDRAULIC CYLINDER, (EFF. S/N HN87101)	326
LATERAL TILT - HYDRAULICS	328
LATERAL TILT - VALVE & CONTROL, (PRIOR S/N HT87101)	330
LATERAL TILT - VALVE & CONTROL, (EFF. S/N HT87101)	332
PROCESSOR - FRONT BEATER	334
PROCESSOR - MAIN COUNTERSHAFT	336
PROCESSOR - MAIN COUNTERSHAFT, DRIVE AND IDLER	338
PROCESSOR - FRONT BEATER, DRIVE BELT & IDLER	340
PROCESSOR - INLET HOUSING AND STONE TRAP	342
PROCESSOR - CONCAVE & CONTROLS	346
PROCESSOR - POWER CONCAVE CONTROL	352
PROCESSOR - REAR ROTOR HOUSING	354
PROCESSOR - SEPARATOR GRATES	358
PROCESSOR - SEPARATOR GRATE SUPPORTS, RICE	362
PROCESSOR - ROTOR	364
PROCESSOR - ROTOR DRIVE, GEARBOX SHIFT LINKAGE	368
PROCESSOR - ROTOR DRIVE, 2-SPEED GEARBOX	372

TABLE OF CONTENT

CHOPPER & SPREADER - JACKSHAFT DRIVE	3/4
CHOPPER & SPREADER - STRAW CHOPPER DRIVE	378
CHOPPER & SPREADER - STRAW CHOPPER DRIVE KIT, HEAVY DUTY	382
CHOPPER & SPREADER - STRAW CHOPPER HOUSING, REDEKOP	384
CHOPPER & SPREADER - STRAW CHOPPER, ROTOR	390
CHOPPER & SPREADER - STRAW CHOPPER HOOD & SUPPORTS	394
CHOPPER & SPREADER - STRAW SPREADER, DRIVE	396
CHOPPER & SPREADER - STRAW SPREADER, COMPONENTS	400
CHOPPER & SPREADER - CHAFF SPREADER, HYDRAULIC DRIVE, (PRIOR S/N HS87101)	406
CHOPPER & SPREADER - CHAFF SPREADER, HYDRAULIC DRIVE, (EFF. S/N HS87101)	408
CHOPPER & SPREADER - CHAFF SPREADER, FAN HOUSING, REKORD, (PRIOR S/N HS87101)	410
CHOPPER & SPREADER - CHAFF SPREADER, FAN HOUSING, REKORD, (EFF. S/N HS87101)	412
CHOPPER & SPREADER - CHAFF SPREADER, HYDRAULICS, REKORD	414
SEPARATOR - LOWER AUGER HOUSING AND FANNING MILL	416
SEPARATOR - VARIABLE SPEED FAN DRIVE	422
SEPARATOR - SEPARATOR PAN, (PRIOR S/N HS87101)	424
SEPARATOR - SEPARATOR PAN, (EFF. S/N HS87101)	428
SEPARATOR - PITMAN DRIVE, (PRIOR S/N HS87101)	430
SEPARATOR - PITMAN DRIVE, (EFF. S/N HS87101)	432
SEPARATOR - PITMAN SHAFT, (EFF. S/N HS87103)	434
SEPARATOR - SHOE SHAKER UPDATE KIT, (PRIOR S/N HS87103)	436
SEPARATOR - SHAKER SHOE AND SIEVES	438
GRAIN BIN & ELEVATOR - GRAIN ELEVATOR DRIVE, (PRIOR S/N HP87101)	446
GRAIN BIN & ELEVATOR - GRAIN ELEVATOR DRIVE, (EFF. S/N HP87101)	448
GRAIN BIN & ELEVATOR - GRAIN ELEVATOR, LOWER	450
GRAIN BIN & ELEVATOR - GRAIN ELEVATOR, HEAD ASSEMBLY	456
GRAIN BIN & ELEVATOR - GRAIN ELEVATOR, BIN FILL AUGER	460
GRAIN BIN & ELEVATOR - RETURN ELEVATOR, LOWER, (PRIOR S/N HP87101)	464
GRAIN BIN & ELEVATOR - RETURN ELEVATOR, LOWER, (EFF. S/N HP87101)	468
GRAIN BIN & ELEVATOR - RETURN ELEVATOR, UPPER	472
GRAIN BIN & ELEVATOR - STAINLESS STEEL ELEVATOR PACKAGE, RICE	476
GRAIN BIN & ELEVATOR - RETURN ELEVATOR DRIVE	478
GRAIN BIN & ELEVATOR - UNLOADING AUGER, LOWER	480
GRAIN BIN & ELEVATOR - UNLOADING AUGER, VERTICAL, (PRIOR S/N HN87101)	484
GRAIN BIN & ELEVATOR - UNLOADING AUGER, VERTICAL, (EFF. S/N HN87101)	488
GRAIN BIN & ELEVATOR - UNLOADING AUGER, UPPER	492
GRAIN BIN & ELEVATOR - UNLOADER DRIVE	496
GRAIN BIN & ELEVATOR - GRAIN BIN, LOWER STRUCTURE	500
GRAIN BIN & ELEVATOR - GRAIN BIN, UPPER STRUCTURE & MOUNTS	506
GRAIN BIN & ELEVATOR - BIN EXTENSIONS	514
GRAIN BIN & ELEVATOR - FUEL TANKS	516
SHIELDS - ENGINE COVERS	518
SHIELDS - REAR DECK AND LADDER	524
SHIELDS - SIDE SHIELDS, LEFT SIDE	528
SHIELDS - SIDE SHIELDS, RIGHT SIDE	534
SHIELDS - MUD SHIELDS, RIGHT SIDE, (PRIOR S/N HS87101)	540
SHIELDS - MUD SHIELDS, RIGHT SIDE, (EFF. S/N HS87101)	544
SHIELDS - MUD SHIELDS, LEFT SIDE, (PRIOR S/N HP87101)	546
SHIELDS - MUD SHIELDS, LEFT SIDE, (EFF. S/N HP87101)	552
HYDRAULICS - HYDRAULIC PUMP & LINES, (PRIOR S/N HR87101)	556
HYDRAULICS - PUMP, SYSTEM, (PRIOR S/N HR87101)	562
HYDRAULICS - HYDRAULIC PUMP & LINES, SISU ENGINE, (EFF. S/N HR87101)	564
HYDRAULICS - PUMP, SYSTEM, (EFF. S/N HR87101)	566
HYDRAULICS - CONTROL VALVE & LINES, SISU ENGINE, (EFF. S/N HR87101-HR87999)	568
HYDRAULICS - STEERING & HEADER FUNCTIONS, (PRIOR S/N HS87101)	572
HYDRAULICS - CONTROL VALVE & LINES, (EFF. S/N HS87101)	578
HYDRAULICS - VALVE ASY, HYDRAULIC, (EFF. S/N HS87101)	582
HYDRAULICS - VALVE ASY, MAIN CONTROL, (EFF. S/N HS87101)	584
HYDRAULICS - STEERING & HEADER FUNCTIONS, (EFF. S/N HS87101)	586
HYDRAULICS - HEADER SUPPLY PLUMBING, (EFF. S/N HS87101)	588
HYDRAULICS - SINGLE POINT ATTACHMENT KIT, PERMANENT, (PRIOR S/N HS87101)	590
HYDRAULICS - SINGLE POINT HYDRAULIC KIT, TEMPORARY, (PRIOR S/N HS87101)	592
HYDRAULICS - REEL FORE/AFT, EXPORT, (EFF. S/N HS87101)	594
HYDRAULICS - STEERING UNIT PLUMBING, (EFF. S/N HS87101)	596
HYDRAULICS - STEERING CYLINDER, STD. ADJUSTABLE AXLE, (PRIOR S/N HP 87101)	598
HYDRAULICS - STEERING CYLINDER, STD. ADJUSTABLE AXLE, (EFF. S/N HP87101)	600
HYDRAULICS - STEERING CYLINDER, RWA AXLE	602
HYDRAULICS - ACCUMULATOR, PARKER	604
HYDRAULICS - HEADER LIFT CYLINDERS	606
HYDRAULICS - UNLOADER SWING CYLINDER	608

TABLE OF CONTENT

HYDRAULICS - PRIORITY VALVE	610
HYDRAULICS - VALVE STACK, MAIN CONTROL, (PRIOR S/N HS87101)	612
HYDRAULICS - HEADER LIFT VALVE	614
HYDRAULICS - REEL LIFT VALVE	616
HYDRAULICS - FEEDER REVERSER VALVE	618
HYDRAULICS - UNLOADER SWING VALVE	620
HYDRAULICS - REEL DRIVE VALVE, (PRIOR S/N HS87101)	622
HYDRAULICS - ROTARY SCREEN VALVE & MOTOR	624
HYDRAULICS - ROTARY SCREEN MOTOR LINES, (PRIOR S/N HS87101)	626
HYDRAULICS - UNLOADER ENGAGE LINES	628
HYDRAULICS - UNLOADER ENGAGE VALVE	630
HYDRAULICS - RESERVOIR & FILTER	632
HYDRAULICS - ROTOR PUMP AND MOTOR LINES	636
HYDRAULICS - PROPEL PUMP AND MOTOR LINES	638
HYDRAULICS - GREASE LINES	640
HYDRAULICS - GREASE LINES, LUBE KIT, SWIVEL UNLOADER	642
TRANSMISSION & AXLES - HYDROSTATIC TANDEM PUMPS	644
TRANSMISSION & AXLES - PROPEL PUMP, COMPONENTS, 1 OF 4	646
TRANSMISSION & AXLES - PROPEL PUMP, COMPONENTS, 2 OF 4	648
TRANSMISSION & AXLES - PROPEL PUMP, COMPONENTS, 3 OF 4	650
TRANSMISSION & AXLES - PROPEL PUMP, COMPONENTS, 4 OF 4	652
TRANSMISSION & AXLES - ROTOR PUMP, COMPONENTS, 1 OF 4	654
TRANSMISSION & AXLES - ROTOR PUMP, COMPONENTS, 2 OF 4	656
TRANSMISSION & AXLES - ROTOR PUMP, COMPONENTS, 3 OF 4	658
TRANSMISSION & AXLES - ROTOR PUMP, COMPONENTS, 4 OF 4	660
TRANSMISSION & AXLES - MOTOR, HYDRO PROPEL & ROTOR, COMPONENTS	662
TRANSMISSION & AXLES - FINAL DRIVE, S39, (PRIOR S/N HS87101)	664
TRANSMISSION & AXLES - FRONT AXLE AND FINAL DRIVES, (EFF. S/N HS87101)	668
TRANSMISSION & AXLES - FINAL DRIVE, S40 & S41, (EFF. S/N HS87101)	670
TRANSMISSION & AXLES - 4" AXLE RISERS, FINAL DRIVE, S39, (PRIOR S/N HS87101)	672
TRANSMISSION & AXLES - 4" AXLE RISERS, FINAL DRIVE, S40 & S41, (EFF. S/N HS87101)	674
TRANSMISSION & AXLES - TRANSMISSION, GEAR, PRESSURE LUBE & HYDRO MOTOR	676
TRANSMISSION & AXLES - TRANSMISSION, GEAR, INPUT SHAFT & GEARS	678
TRANSMISSION & AXLES - TRANSMISSION, GEAR, INTERMEDIATE & MAIN SHAFT	680
TRANSMISSION & AXLES - TRANSMISSION, GEAR, DIFFERENTIAL	682
TRANSMISSION & AXLES - DRUM BRAKES, SERVICE & PARKING	684
TRANSMISSION & AXLES - DRUM BRAKES, LINES & FITTINGS	686
TRANSMISSION & AXLES - MAIN FRAME AND AXLE SUPPORTS	688
TRANSMISSION & AXLES - REAR AXLE & WHEELS, ADJUSTABLE TREAD, (PRIOR S/N HP87101)	692
TRANSMISSION & AXLES - REAR AXLE & WHEELS, ADJUSTABLE TREAD, (EFF. S/N HP87101)	696
TRANSMISSION & AXLES - REAR AXLE & WHEELS, REAR WHEEL ASSIST	700
TRANSMISSION & AXLES - REAR WHEEL ASSIST, WHEEL MOTOR UNIT	706
TRANSMISSION & AXLES - REAR WHEEL ASSIST, SELECTOR VALVE & FLOW DIVIDER	708
TRANSMISSION & AXLES - WHEELS, DRIVE	710
DRIVES - BELTS, LEFT	712
DRIVES - BELTS, RIGHT	714
DRIVES - CHAINS, DRIVE	716
FIELDSTAR II SYSTEM - YIELD MONITOR SYSTEM W/ 1 HZ WAAS DGPS	720
FIELDSTAR II SYSTEM - SOFTWARE/DATA CARD	724
RECOMMENDED DEALER STOCK - RECOMMENDED DEALER STOCK	726

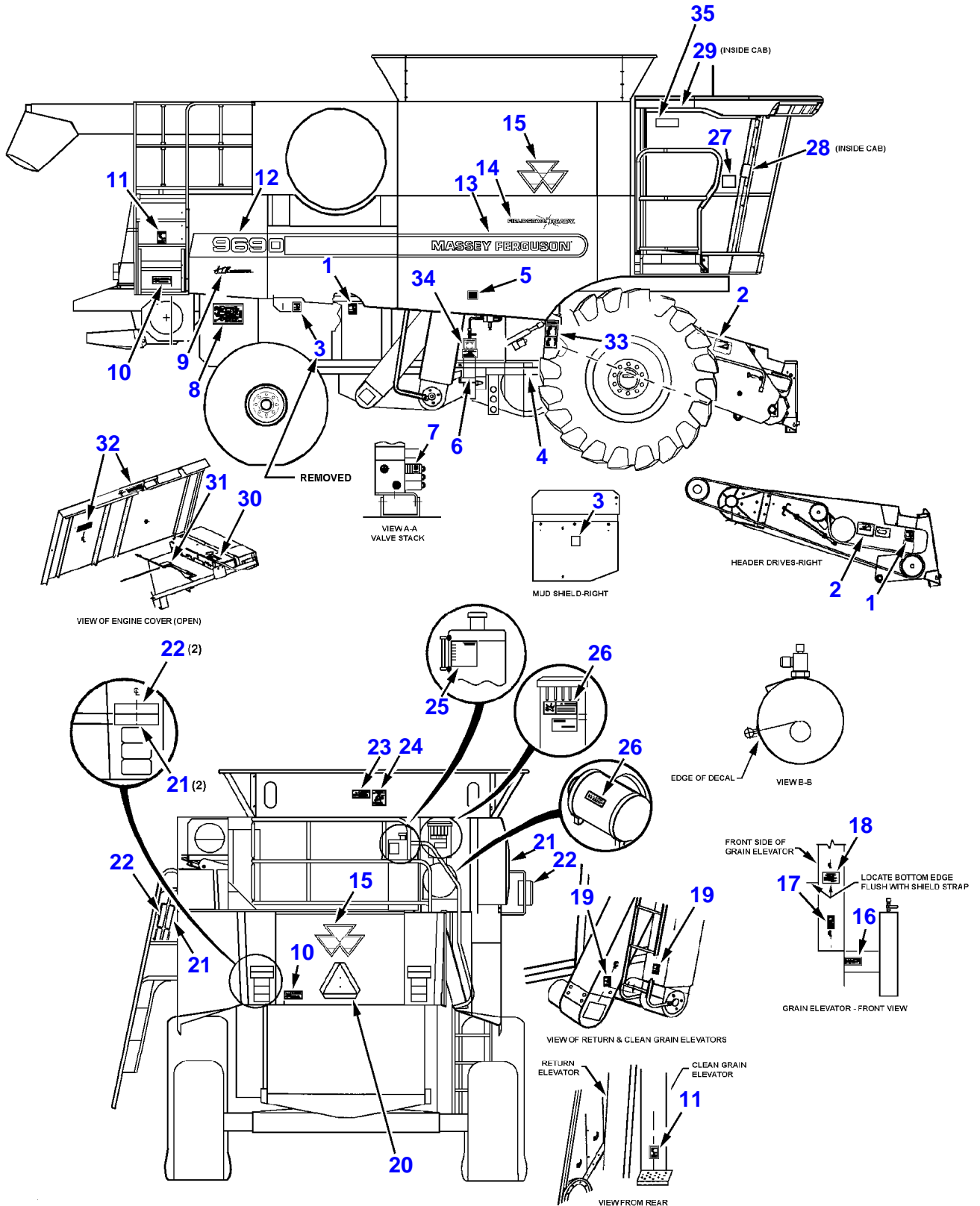


MC00324

Item	Part Number	Qty	Description
1	111091W1	3	DECAL, DANGER, SHIELD MISSING
2	111670W1	2	DECAL, WARNING, BELT OR CHAIN
3	71407700	1	DECAL, CYLINDER GEAR SHIFT
4	71379127	1	DECAL, WARNING, STAND CLEAR
5	700721125	1	DECAL, ATR
6		1	PLATE, SERIAL NUMBER (NOT SERVICED)
7	71394698	1	DECAL, 9690
8	590769M1	1	DECAL, PATENT
9	71395987	1	DECAL, LUBE GUIDE (PRIOR S/N HN87101)
	71403605	1	DECAL, LUBE GUIDE (EFF. S/N HN87101 THRU HN87999)
	71406769	1	DECAL, LUBE GUIDE (EFF. S/N HP87101)
10	71379128	1	DECAL, WARNING
11	71394692	1	DECAL, MASSEY FERGUSON
12	71394691	1	DECAL, FIELDSTAR
13	71394690	1	DECAL, MF LOGO
14	700720618	1	DECAL, TIRE USAGE
15	700721781	1	DECAL, WARNING, KEEP OFF
16	111095W1	2	DECAL, DANGER, HEADER FALLING
17	112967W1	1	DECAL, MASSEY FERGUSON
18	71379129	1	DECAL, WARNING, KEEP OFF
19	700717403	2	REFLECTOR, AMBER
20	71395757	1	EMBLEM, MF
21	71365412	1	DECAL, US FLAG
22	71379130	2	DECAL, WARNING, GRAIN TANK
23	111741W1	1	DECAL, DANGER, CLEANOUT
24	700727993	1	DECAL, BATTERY SWITCH (EFF. S/N HR87101)

MC00324

PR: 436

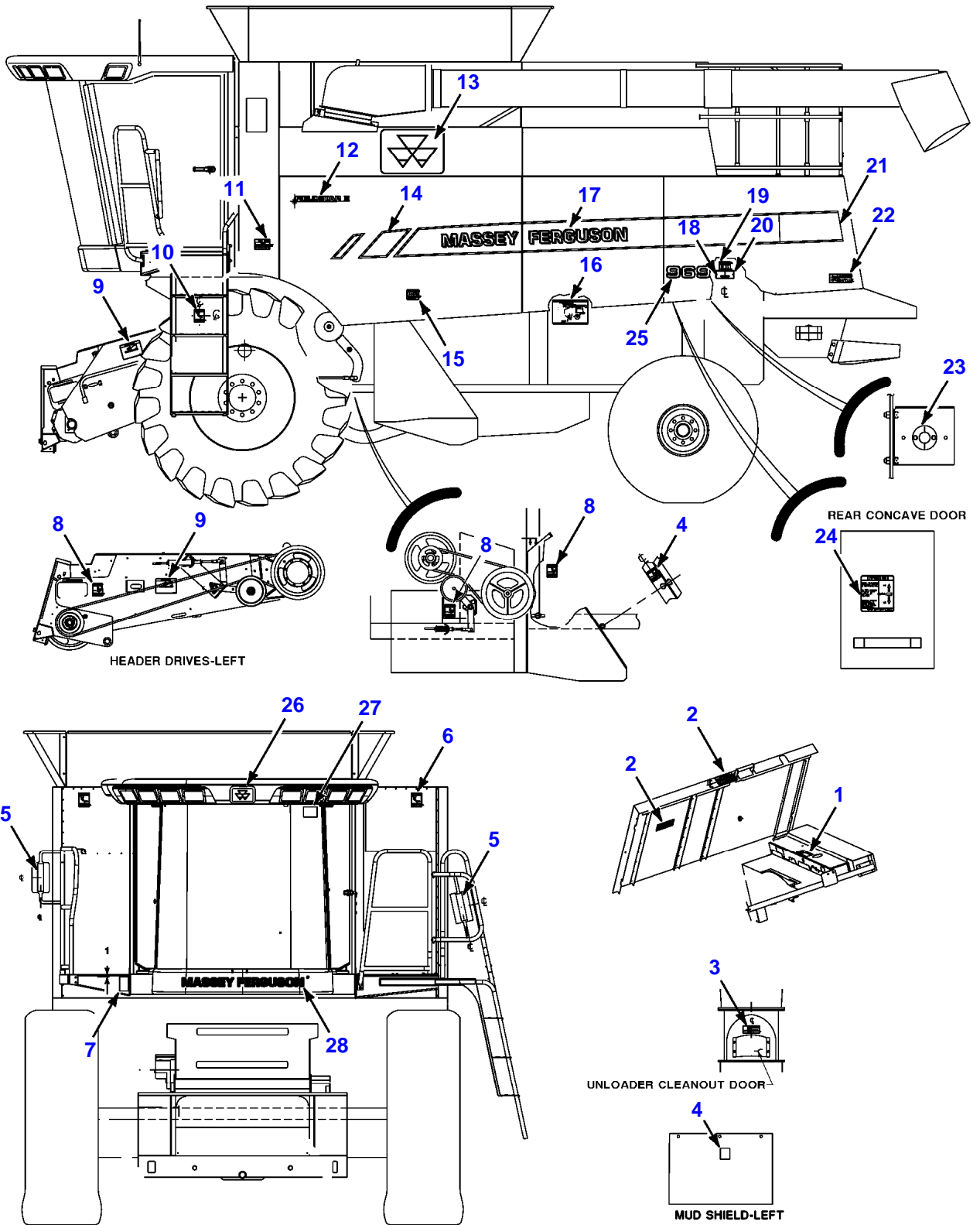


MC00323

Item	Part Number	Qty	Description
1	111091W1	2	DECAL, DANGER, SHIELD MISSING
2	111095W1	2	DECAL, DANGER, HEADER FALLING
3	111670W1	1	DECAL, WARNING, BELT OR CHAIN (QTY 2 PRIOR S/N HR87101)
4	700720727	1	DECAL, DANGER, SHIELD MISSING
5	71379128	1	DECAL, WARNING
6	71371720	1	DECAL, DANGER, ENGAGE RAM STOP
7	2609080W1	1	DECAL, HEAD LOWER ADJUST
8	71395988	1	DECAL, LUBE GUIDE (PRIOR S/N HP87101)
	71406770	1	DECAL, LUBE GUIDE (EFF. S/N HP87101)
9	700721125	1	DECAL, ATR
10	71379127	2	DECAL, WARNING, STAND CLEAR
11	71379129	2	DECAL, WARNING, KEEP OFF
12	71394699	1	DECAL, 9690
13	71394693	1	DECAL, MASSEY FERGUSON
14	71394691	1	DECAL, FIELDSTAR
15	71394690	2	DECAL, MF LOGO
16	71348560	1	DECAL, DANGER, USE NITROGEN
17	71379126	1	DECAL, WARNING, FLUID PRESSURE
18	71394175	1	DECAL, VALVE STACK
19	111743W1	2	DECAL, WARNING, HAND AWAY
20	7020589	1	EMBLEM, SMV
	7883275	2	SCREW, HX WSHR HD MACH, 1/4-20 X 3/4
	70931209	2	NUT, HEX SERR FLANGE, 1/4-20
	70917377	2	WASHER, 1/4, WIDE
	70916952	2	WING NUT, 1/4-20
21	700717404	4	REFLECTOR, RED/ORANGE
22	700717402	4	REFLECTOR, RED
23	111736W2	1	DECAL, DANGER, STOP ENGINE
24	71368074	1	DECAL, BIN LOADER
25	590817M1	1	DECAL, HYDRAULIC RESERVOIR
26	71387749	1	DECAL, DANGER, STARTING FLUID
27	71389158	1	LABEL, EXIT
28	700725670	1	DECAL, WARNING
29	71395762	1	DECAL, DANGER
30	700720605	1	DECAL, WARNING, RADIATOR CAP
31	71385793	1	DECAL, AIR CONDITNING (PRIOR S/N HP87101)
32	71379132	2	DECAL, WARNING
33	71392776	1	DECAL, V.S. FAN DRIVE
34	71370232	1	DECAL, ACCUMULATOR SHUT-OFF
35	700729396	1	DECAL, BIODIESEL

MC00323

PR: 438

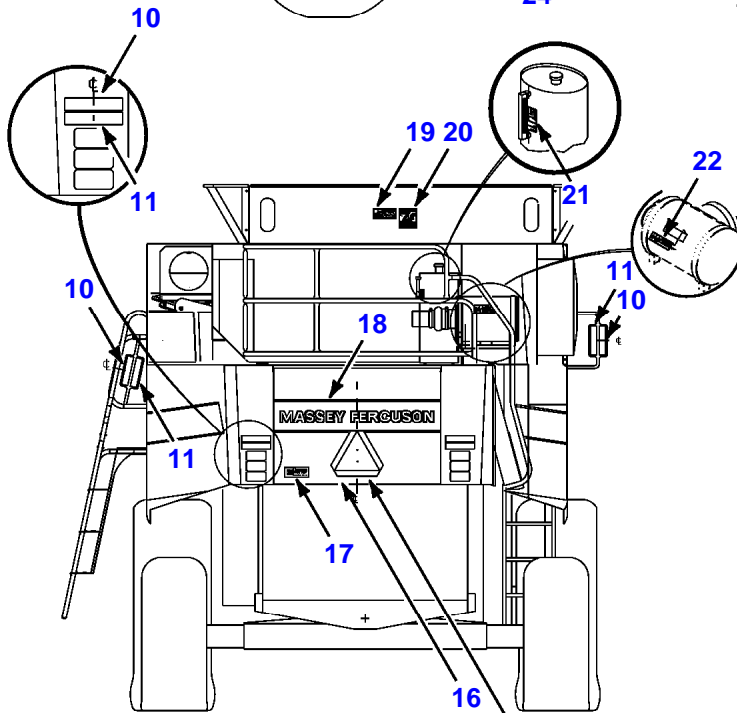
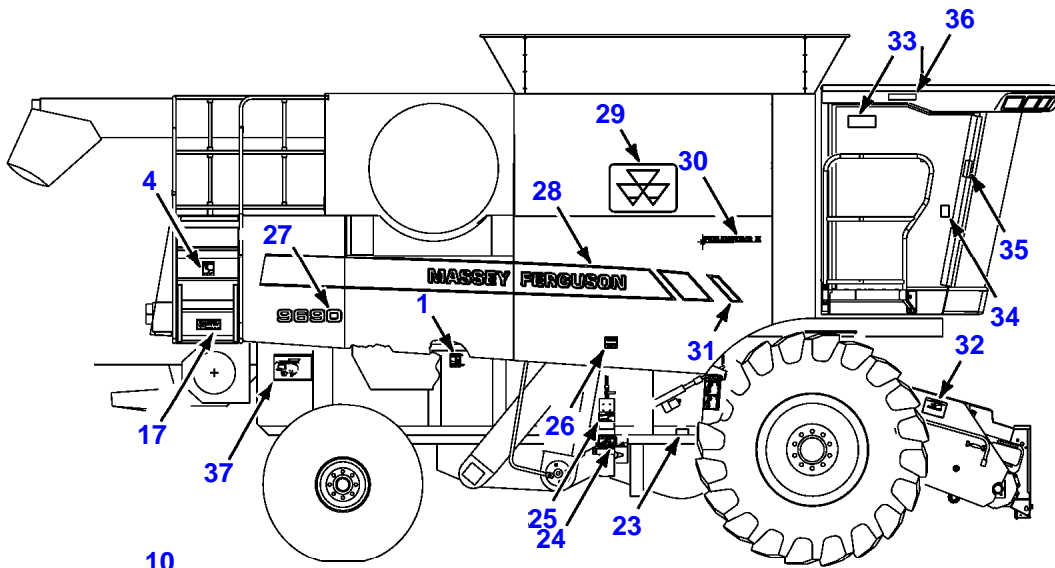


MC00571

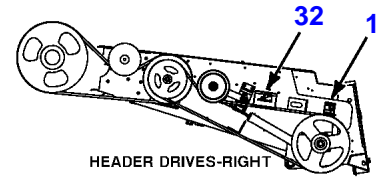
Item	Part Number	Qty	Description
1	700720605	1	DECAL-WARNING, RADIATOR CAP
2	71379132	2	DECAL-WARNING, BELT, FAN
3	111741W1	1	DECAL-DANGER, CLEANOUT
4	111670W1	2	DECAL-WARNING, BELT OR CHAIN
5	700717403	2	DECAL-REFLECTOR, AMBER
6	71379130	1	DECAL-WARNING, GRAIN TANK
7	71379129	1	DECAL-WARNING, FALLING OFF
8	111091W1	3	DECAL, DANGER, SHIELD MISSING
9	111095W1	2	DECAL-DANGER, HEADER FALLING
10	700721781	1	DECAL-WARNING, KEEP OFF
11	700720618	1	DECAL-TIRE USAGE
12	700729424	1	DECAL-FIELDSTAR II
13	700727848	1	DECAL-MF
14	700727841	1	DECAL-MF, FRONT, LEFT
15	71379128	1	DECAL-WARNING, SHIELDS IN PLACE
16	700728779	1	DECAL-LUBE INTERVAL
17	700727843	1	DECAL-MF, LEFT
18	70924946	2	RIVET, 1/8 X 9/32
19	590769M1	1	DECAL-PATENT
20		1	PLATE-SERIAL (NOT SERVICE)
21	700729423	1	DECAL-STRIPE, LEFT REAR
22	71379127	1	DECAL-WARNING, STAND CLEAR
23	700727993	1	DECAL-BATTERY SWITCH
24	71407700	1	DECAL-CYLINDER GEAR SHIFT
25	700729398	1	DECAL-9690
26	71395757	1	EMBLEM, MF
27	71365412	1	DECAL, US FLAG
28	112967W1	1	DECAL, MASSEY FERGUSON

MC00571

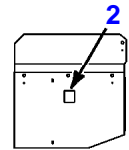
PR: 71418087-03-12



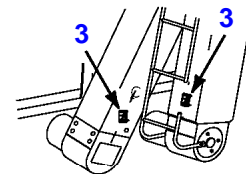
12,13,14,15



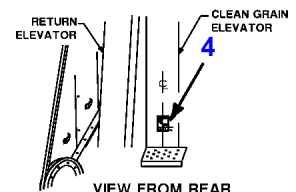
HEADER DRIVES-RIGHT



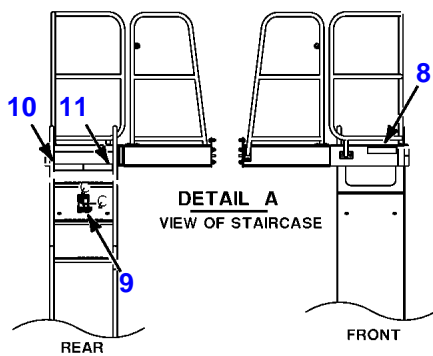
MUD SHIELD-RIGHT



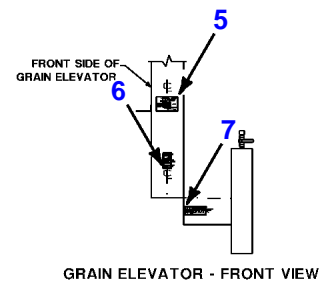
VIEW OF RETURN & CLEAN GRAIN ELEVATORS



VIEW FROM REAR



DETAIL A
VIEW OF STAIRCASE



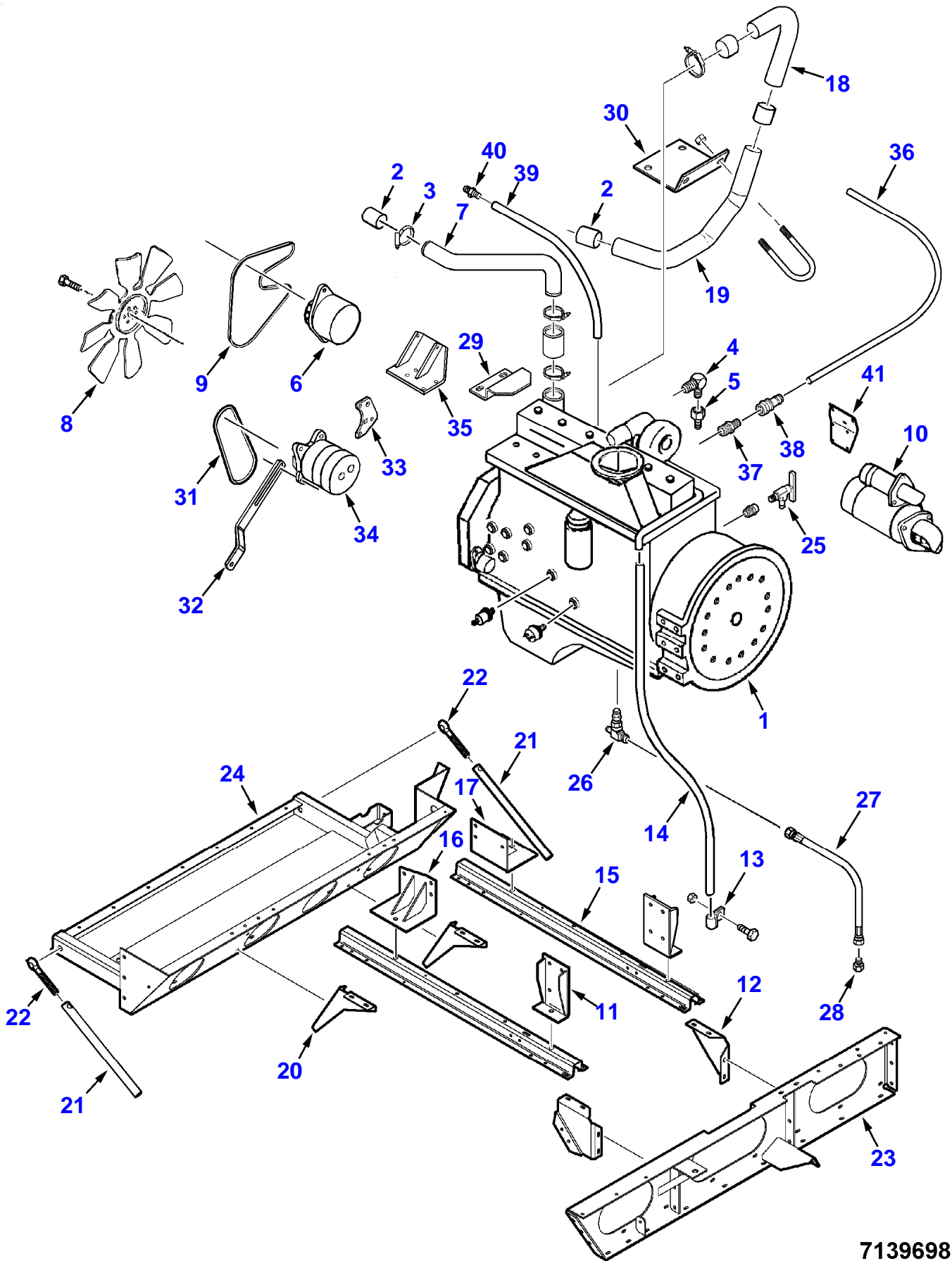
GRAIN ELEVATOR - FRONT VIEW

MC00572

Item	Part Number	Qty	Description
1	111091W1	2	DECAL-DANGER, SHIELD MISSING
2	111670W1	1	DECAL-WARNING, BELT OR CHAIN
3	111743W1	2	DECAL-WARNING, HANDS AWAY
4	71379129	2	DECAL-WARNING, FALLING OFF
5	700728811	1	DECAL-VALVE STACK
6	71379126	1	DECAL-WARNING, FLUID PRESSURE
7	71348560	1	DECAL-DANGER
8	700717403	1	DECAL-REFLECTOR, AMBER
9	700721781	1	DECAL-WARNING, KEEP OFF
10	700717402	4	DECAL-REFLECTOR, RED
11	700717404	4	DECAL-REFLECTOR, RED/ORANGE
12	7883275	2	SCREW, HEX WSHR HD MACH, 1/4-20 X 3/4
13	70931209	2	NUT, SERR FLANGE, 1/4-20
14	353769X1	2	WASHER, 1/4 HARDENED
15	70916952	2	WING NUT, 1/4-20
16	7020589	1	EMBLEM-SMV
17	71379127	2	DECAL-WARNING, STAND CLEAR
18	700727844	1	DECAL-MF, BACK
19	111736W2	1	DECAL-DANGER, STOP ENGINE
20	71368074	1	DECAL-BIN LOADER
21	700729019	1	DECAL-HYDRAULIC RESERVOIR
22	71387749	1	DECAL-DANGER, STARTING FLUID
23	700720727	1	DECAL-DANGER, BELT OR CHAIN
24	71371720	1	DECAL-DANGER, RAM STOP
25	71370232	1	DECAL-ACCUMULATOR
26	71379128	1	DECAL-WARNING, SHIELDS IN PLACE
27	700729398	1	DECAL-9690
28	700727906	1	DECAL-MF, RIGHT
29	700727848	1	DECAL-MF LOGO
30	700729424	1	DECAL-FIELDSTAR II
31	700727847	1	DECAL-MF, FRONT, RIGHT
32	111095W1	2	DECAL-DANGER, HEADER FALLING
33	700729396	1	DECAL, BIODIESEL
34	71389158	1	LABEL, EXIT
35	700725670	1	DECAL, WARNING
36	71395762	1	DECAL, DANGER
37	700728778	1	DECAL, LUBE INTERVAL

MC00572

PR: 71418087-03-22



71396988

Buy Now



Our support email:

ebooklibonline@outlook.com