

Page Title	Page Number
PUBLICATION INFORMATION	0
DECALS & LABELS (N.AMERICA) - LEFT SIDE & FRONT LABELS, (PRIOR S/N HS36101)	38
DECALS & LABELS (N.AMERICA) - RIGHT SIDE & REAR LABELS, (PRIOR S/N HS36101)	40
DECALS & LABELS (N.AMERICA) - LEFT SIDE & FRONT LABELS, (EFF. S/N HS36101)	42
DECALS & LABELS (N.AMERICA) - RIGHT SIDE & REAR LABELS, (EFF. S/N HS36101)	44
DECALS & LABELS (SOUTH AMERICA) - LEFT SIDE & FRONT LABELS, (EFF. S/N HS36101)	46
DECALS & LABELS (SOUTH AMERICA) - RIGHT SIDE & REAR LABELS, (EFF. S/N HS36101)	48
ENGINE - ENGINE & MOUNTS, CUMMINS, (PRIOR S/N HR36101)	50
ENGINE - ENGINE & MOUNTS, SISU, (EFF. S/N HR36101)	56
ENGINE - CYLINDER BLOCK, SISU	60
ENGINE - FRONT GEAR HOUSING, SISU	62
ENGINE - FLYWHEEL AND HOUSING, SISU	64
ENGINE - CRANKSHAFT, SISU	66
ENGINE - CAMSHAFT AND VALVE TRAIN, SISU	68
ENGINE - CYLINDER HEAD, SISU	70
ENGINE - INTAKE & EXHAUST MANIFOLD, SISU	72
ENGINE - TURBOCHARGER, SISU	74
ENGINE - OIL SUMP & PUMP, SISU	76
ENGINE - OIL COOLER & FILTER, SISU	78
ENGINE - CENTRIFUGAL OIL CLEANER, SISU	80
ENGINE - WATER PUMP SYSTEM, SISU	82
ENGINE - INJECTOR PUMP SYSTEM, SISU	84
ENGINE - FUEL FILTERS, SISU	86
ENGINE - ENGINE ELECTRICAL, SISU	88
ENGINE - ALTERNATOR & MOUNTING, SISU	90
ENGINE - STARTER MOTOR, SISU	92
ENGINE - DRIVE BELT SYSTEM, SISU, (PRIOR ENG. S/N T11858)	94
ENGINE - DRIVE BELT SYSTEM, SISU, (EFF. ENG. S/N T11858)	96
ENGINE - ENGINE OVERHAUL KITS, SISU	98
ENGINE - COOLING FAN DRIVE KIT, CUMMINS QSL9 ENGINE, (PRIOR S/N HR36101)	100
ENGINE - AIR INTAKE AND EXHAUST, CUMMINS QSL9 ENGINE, (PRIOR S/N HP36101)	102
ENGINE - AIR CLEANER, CUMMINS QSL9 ENGINE	106
ENGINE - AIR INTAKE & EXHAUST, CUMMINS QSL9 ENGINE, (S/N HP36101 - HP36999)	108
ENGINE - AIR INTAKE AND EXHAUST, SISU ENGINE, (EFF. S/N HR36101)	112
ENGINE - MAIN ENGINE DRIVES	116
ENGINE - COOLING SYSTEM	122
ENGINE - RADIATOR SLINGER	130
ENGINE - ROTARY SCREEN, DOOR & SCREEN	132
ENGINE - ROTARY SCREEN, MOTOR & DRIVE	134
ENGINE - FUEL LINES, (STRAINER MOUNT AT FUEL TANK)	136
ENGINE - FUEL LINES, (EFF. S/N HR36- STRAINER MOUNT ON ELEV.)	140
ENGINE - FUEL FILTER OPTION, (EFF. S/N HR36- STRAINER MOUNT ON ELEV.)	142
ENGINE - FUEL FILTER & LINES KIT, (EAST EUROPE)(PRIOR MID-PRODN S/N HR36-)	144
CAB - FRAME & MOUNTING	146
CAB - WINDOWS AND DOORS	150
CAB - LH DOOR, INTERIOR & EXTERIOR HANDLES	152
CAB - INTERIOR COVERINGS & TRIM, UPPER AND FRONT	154
CAB - INTERIOR COVERINGS & TRIM, LOWER AND REAR	156
CAB - PLATFORM, LEFT & RIGHT	160
CAB - PIVOTING LADDER LH	164
CAB - PLATFORM AND POWERFOLD LADDER, LEFT HAND	166
CAB - FIRE EXTINGUISHER, S. AMERICA	168
CAB - DECK EXTENSION, 145" TREAD AND DUALS	170
CAB - STAIRCASE LADDER & PLATFORM	172
CAB - MIRRORS & EXTREMITY LIGHTS, MANUAL & ELECTRIC ADJUST	176
CAB - WINDSHIELD WIPER	178
CAB - ROOF & INTERIOR/EXTERIOR LIGHTS	180
CAB - CONSOLE - SEAT	182
CAB - CONTROL, SERVICE BRAKES	186
CAB - BRAKE MASTER CYLINDER	188
CAB - CONTROL, PARK BRAKE & HYDRO PROPEL CABLE	190
CAB - CONTROL, GEARSHIFT	192
CAB - CONTROL, STEERING COLUMN	194
CAB - STEERING COLUMN	196
CAB - SEAT, OPERATOR & INSTRUCTOR	198
CAB - SEAT, BASE & SUSPENSION	200
CAB - SEAT, CUSHION AND BACKREST	204
CAB - HVAC, PRESSURIZER UNIT & DUCTING	208

## TABLE OF CONTENT

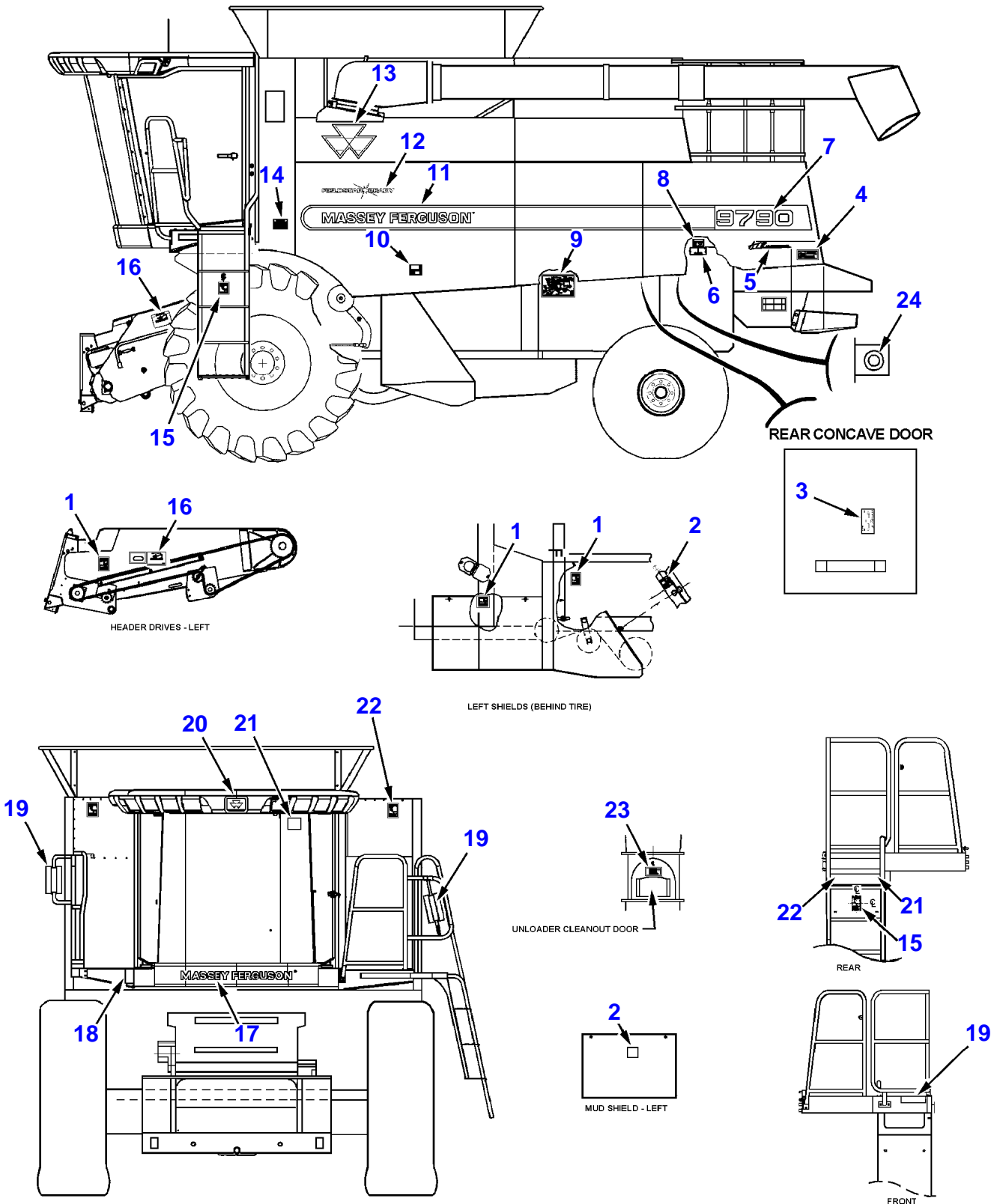
CAB - HVAC, CONTROL PANEL, WITH MANUAL TEMP CONTROL	210
CAB - HVAC CONTROL PANEL, WITH AUTO TEMP CONTROL	212
CAB - HVAC PRESSURIZER UNIT, EVANS-TEMPCON, WITH MANUAL TEMP CONTROL	214
CAB - HVAC BLOWER ASY., EVANS TEMPCON, WITH MANUAL TEMP CONTROL	218
CAB - HVAC PRESSURIZER UNIT, EVANS-TEMPCON, WITH AUTO TEMP CONTROL	220
CAB - AIR CONDITIONER, LINES	222
CAB - AIR CONDITIONER, COMPRESSOR (SANDEN)	224
CAB - HEATER & LINES, (PRIOR S/N HR36101)	226
CAB - HEATER LINES, (EFF. S/N HR36101)	228
ELECTRICAL - FEEDER ELECTRICAL, (PRIOR S/N HS36101)	230
ELECTRICAL - FEEDER ELECTRICAL, (EFF. S/N HS36101)	232
ELECTRICAL - ELECTRICAL HARNESSSES & SWITCHES, FRONT	234
ELECTRICAL - ENGINE & BATTERY WIRING, (PRIOR S/N HR36101)	236
ELECTRICAL - ENGINE & BATTERY WIRING, (EFF. S/N HR36101)	240
ELECTRICAL - ALTERNATOR - 150 AMP, (PRIOR S/N HR36101)	244
ELECTRICAL - GRID HEATER, (PRIOR S/N HR36101)	246
ELECTRICAL - CAB COMPONENTS, CONTROLS & SWITCHES	248
ELECTRICAL - CAB COMPONENTS, FUSE PANEL & HYDRO HANDLE	252
ELECTRICAL - CAB COMPONENTS, UPPER CONSOLE	254
ELECTRICAL - CAB COMPONENTS, RADIO AND ANTENNA	256
ELECTRICAL - MONITORING SYSTEMS, DIGITAL TACHOMETER	258
ELECTRICAL - HARNESSSES & LIGHTING, GRAIN BIN	260
ELECTRICAL - ELECTRICAL HARNESSSES, REAR	262
ELECTRICAL - BEACON LIGHTS, FIELD KIT	264
ELECTRICAL - HIGH INTENSITY LIGHTING, FIELD KIT	266
ELECTRICAL - STARTER MOTOR	268
ELECTRICAL - ALTERNATOR, DELCO #1117965	272
ELECTRICAL - SERVICE CONNECTORS, HARNESS REPAIR	274
FEEDER - HOUSING & SHIELDS, (PRIOR S/N HP36101)	278
FEEDER - HOUSING & SHIELDS, (EFF. S/N HP36101)	282
FEEDER - JACK	288
FEEDER - FEED FLOOR, (PRIOR S/N HS36101)	290
FEEDER - FLOOR, MIDDLE, (EFF. S/N HS36101)	292
FEEDER - PIVOT SHAFT, (PRIOR S/N HP36101)	294
FEEDER - PIVOT SHAFT, (EFF. S/N HP36101)	296
FEEDER - LH PIVOT DRIVE, (EFF. S/N HP36101)	298
FEEDER - RH DRIVE, (PRIOR S/N HP36101)	300
FEEDER - JACKSHAFT DRIVE, R.H. FEEDERHOUSE, (EFF. S/N HP36101)	302
FEEDER - JACKSHAFT & V.S. IDLER, V.S. HEADER DRIVE, (EFF. S/N HP36101)	304
FEEDER - HYDRAULIC LINES, V.S. HEADER DRIVE, (S/N HP36101-HR369999)	306
FEEDER - HYDRAULIC LINES, V.S. HEADER DRIVE, (EFF. S/N HS36101)	308
FEEDER - JACKSHAFT & C'SHAFT DRIVE IDLER, FIXED SPEED HEADER DRIVE, (EFF. S/N HP36101)	310
FEEDER - COUNTERSHAFT, HEADER DRIVE, (PRIOR S/N HP36101)	312
FEEDER - COUNTERSHAFT, VARIABLE & FIXED SPEED HEADER DRIVE, (EFF. S/N HP36101)	314
FEEDER - LATCH, HEADER	316
FEEDER - CONVEYOR, (PRIOR S/N HP36101)	318
FEEDER - CONVEYOR, (EFF. S/N HP36101)	320
FEEDER - FEEDER REVERSER, LINES & FITTINGS, (PRIOR S/N HP36101)	324
FEEDER - FEEDER REVERSER, DRIVE & HYDRAULICS, (EFF. S/N HP36101)	326
FEEDER - REVERSER MOTOR & CLUTCH, COMPONENTS, (PRIOR S/N HP36101)	328
FEEDER - REVERSER MOTOR, CLUTCH HOUSING & SHAFT ASSEMBLY, (EFF. S/N HP36101)	330
FEEDER - REVERSER MOTOR, TORQUE MOTOR ASY., (EFF. S/N HP36101)	332
LATERAL TILT - HOUSING	334
LATERAL TILT - ANCHORS & SENSOR	338
LATERAL TILT - HYDRAULIC CYLINDER, (PRIOR S/N HN36101)	340
LATERAL TILT - HYDRAULIC CYLINDER, (EFF. S/N HN36101)	342
LATERAL TILT - HYDRAULICS	344
LATERAL TILT - VALVE & CONTROL, (PRIOR S/N HT36101)	346
LATERAL TILT - VALVE & CONTROL, (EFF. S/N HT36101)	348
PROCESSOR - FRONT BEATER	350
PROCESSOR - MAIN COUNTERSHAFT	354
PROCESSOR - MAIN COUNTERSHAFT, DRIVE AND IDLER	356
PROCESSOR - FRONT BEATER, DRIVE BELT & IDLER	358
PROCESSOR - INLET HOUSING AND STONE TRAP(N. AMERICA)	360
PROCESSOR - INLET HOUSING AND STONE TRAP(S. AMERICA)	364
PROCESSOR - CONCAVE & CONTROLS	368
PROCESSOR - POWER CONCAVE CONTROL	374
PROCESSOR - REAR ROTOR HOUSING	376
PROCESSOR - SEPARATOR GRATES	380

## TABLE OF CONTENT

PROCESSOR - SEPARATOR GRATE SUPPORTS, RICE, N. AMERICA	384
PROCESSOR - SEPARATOR GRATE SUPPORTS, S. AMERICA	386
PROCESSOR - ROTOR	388
PROCESSOR - ROTOR DRIVE, GEARBOX SHIFT LINKAGE	392
PROCESSOR - ROTOR DRIVE, 2-SPEED GEARBOX	396
PROCESSOR - MOTOR, HYDROSTATIC ROTOR	398
CHOPPER & SPREADER - JACKSHAFT DRIVE	400
CHOPPER & SPREADER - STRAW CHOPPER DRIVE	404
CHOPPER & SPREADER - STRAW CHOPPER DRIVE KIT, HEAVY DUTY	408
CHOPPER & SPREADER - STRAW CHOPPER HOUSING, REDEKOP	410
CHOPPER & SPREADER - STRAW CHOPPER, ROTOR	416
CHOPPER & SPREADER - STRAW CHOPPER HOOD & SUPPORTS	420
CHOPPER & SPREADER - STRAW SPREADER, DRIVE	422
CHOPPER & SPREADER - STRAW SPREADER, COMPONENTS	426
CHOPPER & SPREADER - CHAFF SPREADER, HYDRAULIC DRIVE, (PRIOR S/N HS36101)	432
CHOPPER & SPREADER - CHAFF SPREADER, HYDRAULIC DRIVE, (EFF. S/N HS36101)	434
CHOPPER & SPREADER - CHAFF SPREADER, FAN HOUSING, REKORD, (PRIOR S/N HS36101)	436
CHOPPER & SPREADER - CHAFF SPREADER, FAN HOUSING, REKORD, (EFF. S/N HS36101)	438
CHOPPER & SPREADER - CHAFF SPREADER, HYDRAULICS, REKORD	440
SEPARATOR - LOWER AUGER HOUSING AND FANNING MILL	442
SEPARATOR - VARIABLE SPEED FAN DRIVE	448
SEPARATOR - SEPARATOR PAN, (PRIOR S/N HS36144)	450
SEPARATOR - SEPARATOR PAN, (EFF. S/N HS36144)	454
SEPARATOR - PITMAN DRIVE, (PRIOR S/N HS36101)	456
SEPARATOR - PITMAN DRIVE, (EFF. S/N HS36101)	458
SEPARATOR - PITMAN SHAFT, (EFF. S/N HS36144)	460
SEPARATOR - SHOE SHAKER UPDATE KIT, (PRIOR S/N HS36144)	462
SEPARATOR - SHAKER SHOE AND SIEVES, (PRIOR S/N HS36144)	464
SEPARATOR - SHOE SHAKER, (EFF. S/N HS36144)	472
SEPARATOR - CLEANING SHOE, UPPER FRAME & SIEVES, (EFF. S/N HS36144)	476
SEPARATOR - CLEANING SHOE, LOWER PAN, (EFF. S/N HS36144)	478
GRAIN BIN & ELEVATOR - GRAIN ELEVATOR DRIVE, (PRIOR S/N HP36101)	480
GRAIN BIN & ELEVATOR - GRAIN ELEVATOR DRIVE, (EFF. S/N HP36101)	482
GRAIN BIN & ELEVATOR - GRAIN ELEVATOR, LOWER	484
GRAIN BIN & ELEVATOR - GRAIN ELEVATOR, HEAD ASSEMBLY	490
GRAIN BIN & ELEVATOR - GRAIN ELEVATOR, BIN FILL AUGER	494
GRAIN BIN & ELEVATOR - RETURN ELEVATOR, LOWER, (PRIOR S/N HP36101)	498
GRAIN BIN & ELEVATOR - RETURN ELEVATOR, LOWER, (EFF. S/N HP36101)	502
GRAIN BIN & ELEVATOR - RETURN ELEVATOR, UPPER	506
GRAIN BIN & ELEVATOR - STAINLESS STEEL ELEVATOR PACKAGE, RICE	510
GRAIN BIN & ELEVATOR - RETURN ELEVATOR DRIVE	512
GRAIN BIN & ELEVATOR - UNLOADING AUGER, LOWER	514
GRAIN BIN & ELEVATOR - UNLOADING AUGER, VERTICAL, (PRIOR S/N HN36101)	518
GRAIN BIN & ELEVATOR - UNLOADING AUGER, VERTICAL, (EFFECTIVE S/N HN36101)	522
GRAIN BIN & ELEVATOR - UNLOADING AUGER, UPPER	526
GRAIN BIN & ELEVATOR - UNLOADER DRIVE	530
GRAIN BIN & ELEVATOR - GRAIN BIN, LOWER STRUCTURE	534
GRAIN BIN & ELEVATOR - GRAIN BIN, UPPER STRUCTURE & MOUNTS	540
GRAIN BIN & ELEVATOR - BIN EXTENSIONS	548
GRAIN BIN & ELEVATOR - FUEL TANKS	550
SHIELDS - ENGINE COVERS	552
SHIELDS - REAR DECK AND LADDER	560
SHIELDS - SIDE SHIELDS, LEFT SIDE	564
SHIELDS - SIDE SHIELDS, RIGHT SIDE	570
SHIELDS - MUD SHIELDS, RIGHT SIDE, (PRIOR S/N HS36101)	578
SHIELDS - MUD SHIELDS, RIGHT SIDE, (EFF. S/N HS36101)	582
SHIELDS - MUD SHIELDS, LEFT SIDE, (PRIOR S/N HP36101)	584
SHIELDS - MUD SHIELDS, LEFT SIDE, (EFF. S/N HP36101)	590
HYDRAULICS - HYDRAULIC PUMP & LINES, (PRIOR S/N HR36101)	594
HYDRAULICS - PUMP, SYSTEM, (PRIOR S/N HR36101)	600
HYDRAULICS - HYDRAULIC PUMP & LINES, SISU ENGINE, (EFF. S/N HR36101)	602
HYDRAULICS - PUMP, SYSTEM, (EFF. S/N HR36101)	606
HYDRAULICS - CONTROL VALVE & LINES, SISU ENGINE, (S/N HR36101-HR36999)	608
HYDRAULICS - STEERING & HEADER FUNCTIONS, (PRIOR S/N HS36101)	612
HYDRAULICS - CONTROL VALVE & LINES, (EFF. S/N HS36101)	618
HYDRAULICS - VALVE ASY, HYDRAULIC, (EFF. S/N HS36101)	622
HYDRAULICS - VALVE ASY, MAIN CONTROL, (EFF. S/N HS36101)	624
HYDRAULICS - STEERING & HEADER FUNCTIONS, (EFF. S/N HS36101)	626
HYDRAULICS - HEADER SUPPLY PLUMBING, (EFF. S/N HS36101)	628
HYDRAULICS - SINGLE POINT ATTACHMENT KIT, PERMANENT, (PRIOR S/N HS36101)	630

## TABLE OF CONTENT

HYDRAULICS - SINGLE POINT ATTACHMENT KIT, TEMPORARY, (PRIOR S/N HS36101)	632
HYDRAULICS - REEL FORE/AFT, EXPORT, (EFF. S/N HS36101)	634
HYDRAULICS - STEERING UNIT PLUMBING, (EFF. S/N HS36101)	636
HYDRAULICS - STEERING CYLINDER, STD. ADJUSTABLE AXLE, (PRIOR S/N HP36101)	638
HYDRAULICS - STEERING CYLINDER, STD. ADJUSTABLE AXLE, (EFF. S/N HP36101)	640
HYDRAULICS - STEERING CYLINDER, RWA AXLE	642
HYDRAULICS - ACCUMULATOR, PARKER	644
HYDRAULICS - HEADER LIFT CYLINDERS	646
HYDRAULICS - UNLOADER SWING CYLINDER	648
HYDRAULICS - PRIORITY VALVE	650
HYDRAULICS - VALVE STACK, MAIN CONTROL, (PRIOR S/N HS36101)	652
HYDRAULICS - HEADER LIFT VALVE	654
HYDRAULICS - REEL LIFT VALVE	656
HYDRAULICS - FEEDER REVERSER VALVE	658
HYDRAULICS - UNLOADER SWING VALVE	660
HYDRAULICS - REEL DRIVE VALVE, (PRIOR S/N HS36101)	662
HYDRAULICS - ROTARY SCREEN VALVE & MOTOR	664
HYDRAULICS - ROTARY SCREEN MOTOR LINES, (PRIOR S/N HS36101)	666
HYDRAULICS - UNLOADER ENGAGE LINES, (PRIOR S/N HP36101)	668
HYDRAULICS - UNLOADER ENGAGE LINES, (EFF. S/N HP36101)	670
HYDRAULICS - UNLOADER ENGAGE VALVE	672
HYDRAULICS - RESERVOIR & FILTER	674
HYDRAULICS - ROTOR PUMP AND MOTOR LINES	678
HYDRAULICS - PROPEL PUMP AND MOTOR LINES	680
HYDRAULICS - GREASE LINES	682
HYDRAULICS - GREASE LINES, LUBE KIT, SWIVEL UNLOADER	684
TRANSMISSION & AXLES - PROPEL PUMP, COMPONENTS, 1 OF 4	686
TRANSMISSION & AXLES - PROPEL PUMP, COMPONENTS, 2 OF 4	688
TRANSMISSION & AXLES - PROPEL PUMP, COMPONENTS, 3 OF 4	690
TRANSMISSION & AXLES - PROPEL PUMP, COMPONENTS, 4 OF 4	692
TRANSMISSION & AXLES - MOTOR, HYDRO PROPEL, COMPONENTS	694
TRANSMISSION & AXLES - ROTOR PUMPS, TANDEM PUMP	696
TRANSMISSION & AXLES - ROTOR PUMP, FRONT, 1 OF 4	698
TRANSMISSION & AXLES - ROTOR PUMP, FRONT, 2 OF 4	700
TRANSMISSION & AXLES - ROTOR PUMP, FRONT, 3 OF 4	702
TRANSMISSION & AXLES - ROTOR PUMP, FRONT, 4 OF 4	704
TRANSMISSION & AXLES - ROTOR PUMP, REAR, 1 OF 4	706
TRANSMISSION & AXLES - ROTOR PUMP, REAR, 2 OF 4	708
TRANSMISSION & AXLES - ROTOR PUMP, REAR, 3 OF 4	710
TRANSMISSION & AXLES - ROTOR PUMP, REAR, 4 OF 4	712
TRANSMISSION & AXLES - FINAL DRIVE, S39, (PRIOR S/N HS36101)	714
TRANSMISSION & AXLES - FRONT AXLE AND FINAL DRIVES, (EFF. S/N HS36101)	718
TRANSMISSION & AXLES - FINAL DRIVE, S40 & S41, (EFF. S/N HS36101)	720
TRANSMISSION & AXLES - 4" AXLE RISERS, FINAL DRIVE, S39, (PRIOR S/N HS36101)	722
TRANSMISSION & AXLES - 4" AXLE RISERS, FINAL DRIVE, S40 & S41, (EFF. S/N HS36101)	724
TRANSMISSION & AXLES - TRANSMISSION, GEAR, PRESSURE LUBE & HYDRO MOTOR	726
TRANSMISSION & AXLES - TRANSMISSION, GEAR, INPUT SHAFT & GEARS	730
TRANSMISSION & AXLES - TRANSMISSION, GEAR, INTERMEDIATE & MAIN SHAFT	732
TRANSMISSION & AXLES - TRANSMISSION, GEAR, DIFFERENTIAL	734
TRANSMISSION & AXLES - DRUM BRAKES, SERVICE & PARKING	736
TRANSMISSION & AXLES - DRUM BRAKES, LINES & FITTINGS	738
TRANSMISSION & AXLES - MAIN FRAME AND AXLE SUPPORTS	740
TRANSMISSION & AXLES - REAR AXLE & WHEELS, ADJUSTABLE TREAD, (PRIOR S/N HP36101)	744
TRANSMISSION & AXLES - REAR AXLE & WHEELS, ADJUSTABLE TREAD, (EFF. S/N HP36101)	748
TRANSMISSION & AXLES - REAR AXLE & WHEELS, REAR WHEEL ASSIST	752
TRANSMISSION & AXLES - REAR WHEEL ASSIST, WHEEL MOTOR UNIT	758
TRANSMISSION & AXLES - REAR WHEEL ASSIST, SELECTOR VALVE & FLOW DIVIDER	760
TRANSMISSION & AXLES - WHEELS, DRIVE	762
DRIVES - BELTS, LEFT	764
DRIVES - BELTS, RIGHT	766
DRIVES - CHAINS, DRIVE	768
FIELDSTAR II SYSTEM - YIELD MONITOR SYSTEM W/ 1 HZ WAAS DGPS	772
FIELDSTAR II SYSTEM - SOFTWARE/DATA CARD	776
RECOMMENDED DEALER STOCK - RECOMMENDED DEALER STOCK	778



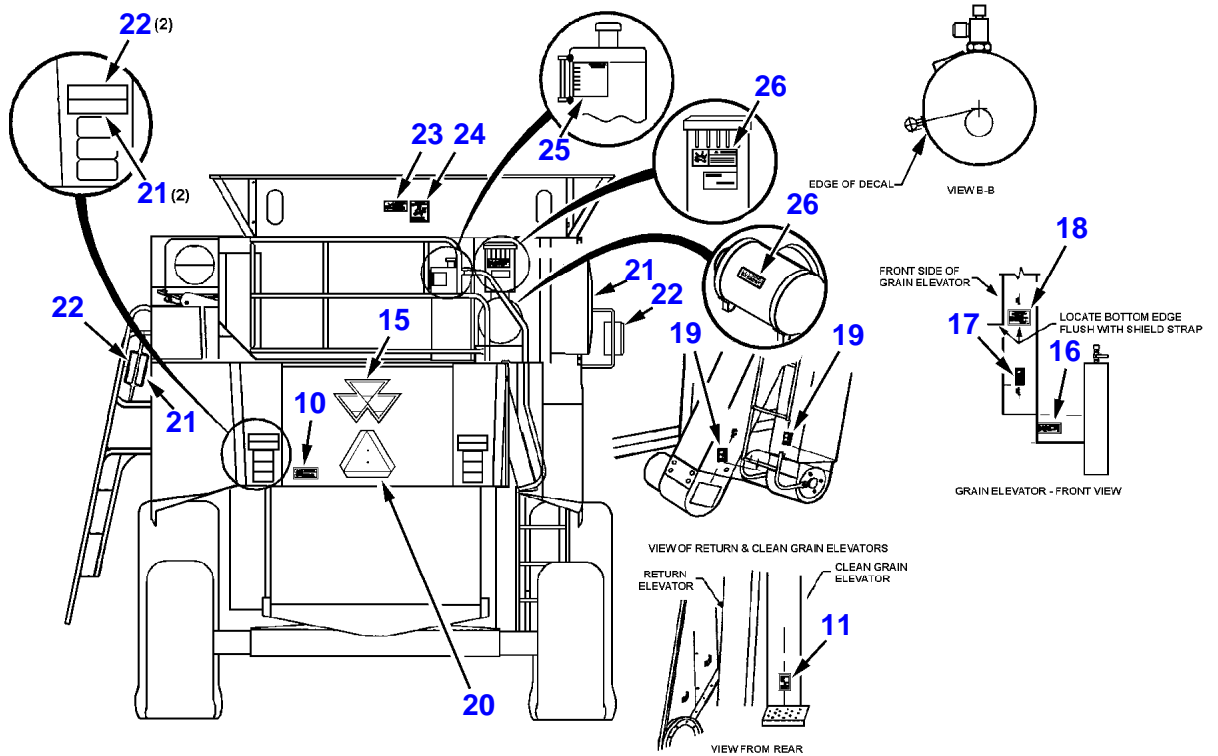
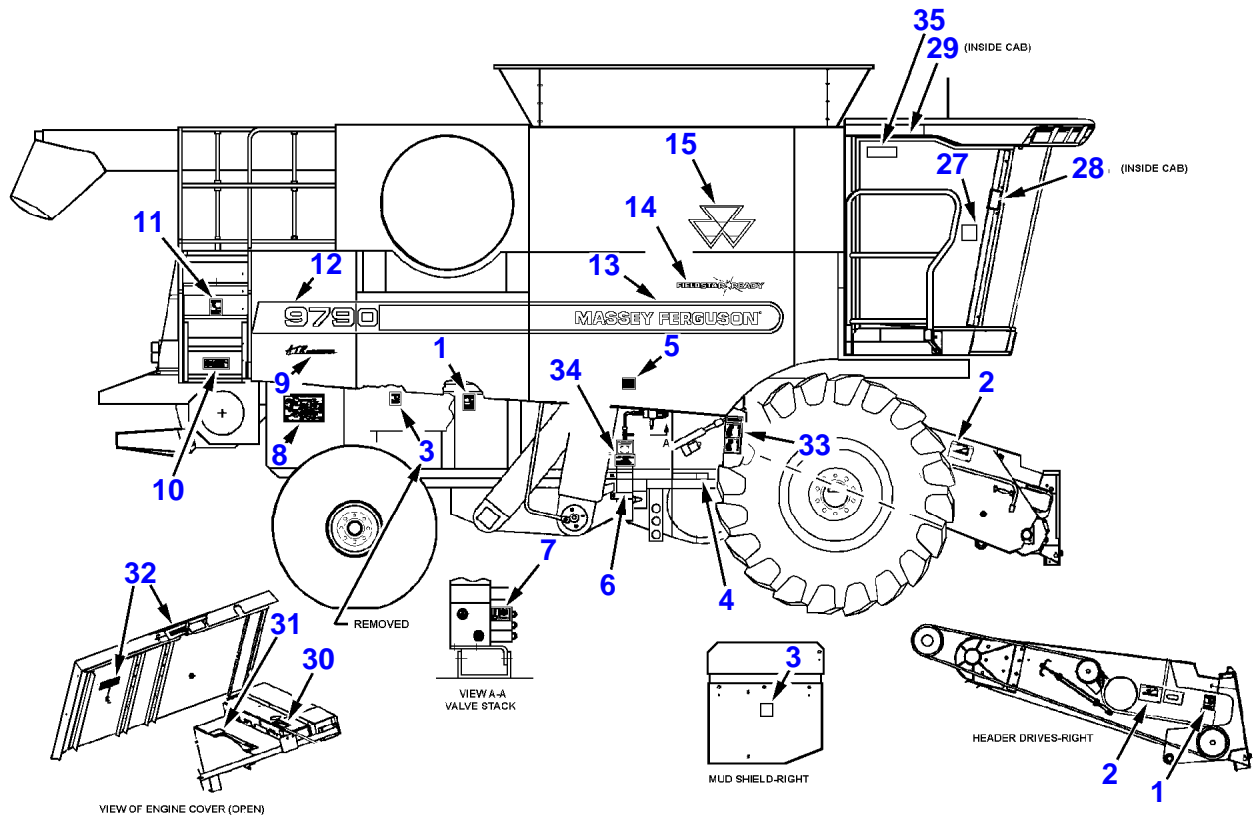
MC00326

**Massey Ferguson****9790 COMBINE EFF N AMERICA S/N HM36101 EFF S AMERICA S/N 000C979007S000002****651801****DECALS & LABELS (N.AMERICA) - LEFT SIDE & FRONT LABELS, (PRIOR S/N HS36101)****Page38**

<b>Item</b>	<b>Part Number</b>	<b>Qty</b>	<b>Description</b>
1	111091W1	3	DECAL, DANGER, SHIELD MISSING
2	111670W1	2	DECAL, WARNING, BELT OR CHAIN
3	71407700	1	DECAL, CYLINDER GEAR SHIFT
4	71379127	1	DECAL, WARNING, STAND CLEAR
5	700721125	1	DECAL, ATR
6		1	PLATE, SERIAL NUMBER
	70924946	2	RIVET, 1/8 X 9/32
7	71394696	1	DECAL, 9790
8	590769M1	1	DECAL, PATENT
9	71395989	1	DECAL, LUBE GUIDE (PRIOR S/N HN36101)
	71403606	1	DECAL, LUBE GUIDE (EFF. S/N HN36101)
	71406769	1	DECAL, LUBE GUIDE (EFF. S/N HP36101)
10	71379128	1	DECAL, WARNING
11	71394692	1	DECAL, MASSEY FERGUSON
12	71394691	1	DECAL, FIELDSTAR
13	71394690	1	DECAL, MF LOGO
14	700720618	1	DECAL, TIRE USAGE
15	700721781	1	DECAL, WARNING, KEEP OFF
16	111095W1	2	DECAL, DANGER, HEADER FALLING
17	112967W1	1	DECAL, MASSEY FERGUSON
18	71379129	1	DECAL, WARNING, KEEP OFF
19	700717403	2	REFLECTOR, AMBER
20	71395757	1	EMBLEM, MF
21	71365412	1	DECAL, US FLAG
22	71379130	2	DECAL, WARNING, GRAIN TANK
23	111741W1	1	DECAL, DANGER, CLEANOUT
24	700727993	1	DECAL, BATTERY SWITCH (EFF. S/N HR36101)

MC00326

PR: 456



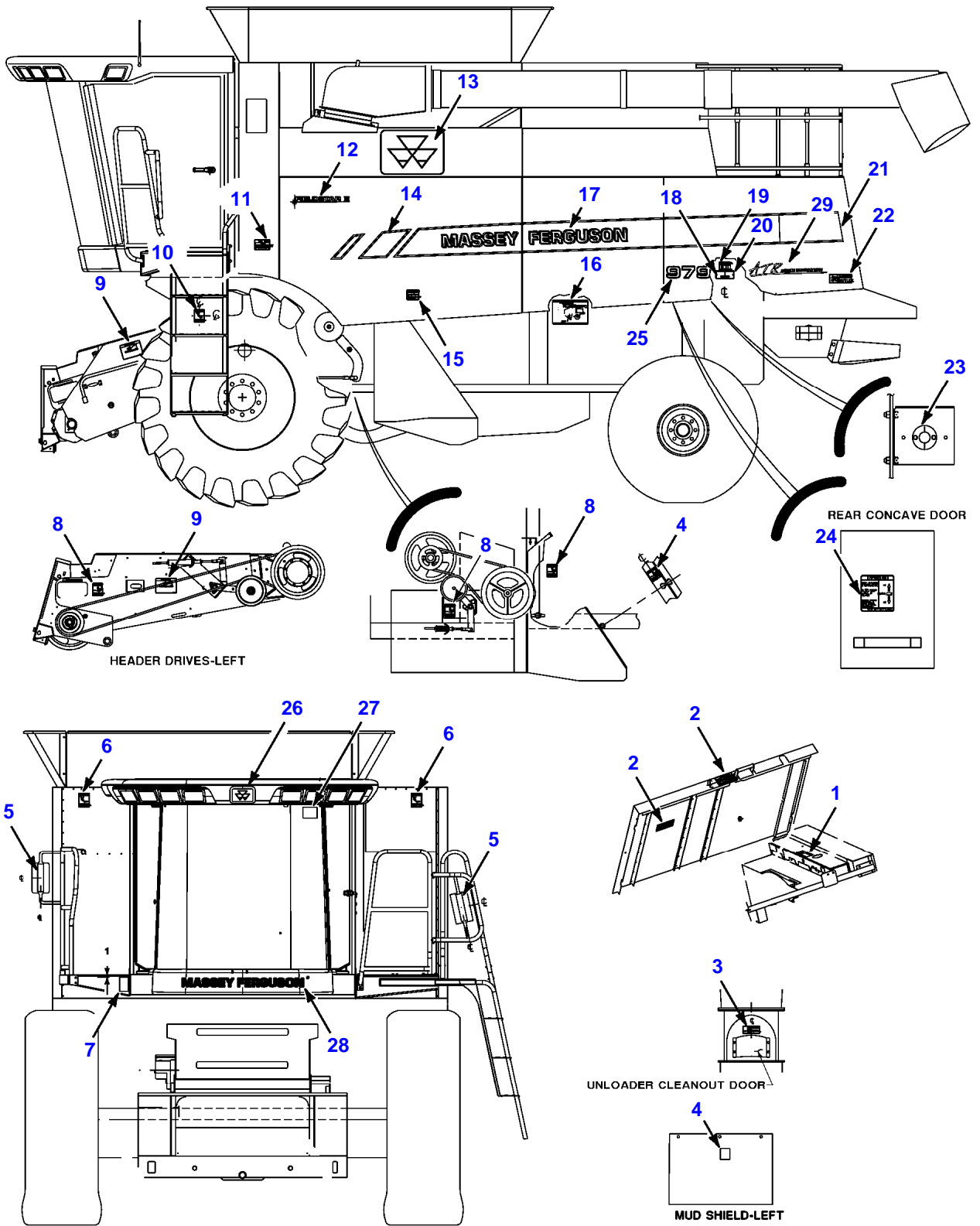
MC00325

Item	Part Number	Qty	Description
1	111091W1	2	DECAL, DANGER, SHIELD MISSING
2	111095W1	2	DECAL, DANGER, HEADER FALLING
3	111670W1	2	DECAL, WARNING, BELT OR CHAIN (QTY 2 PRIOR S/N HR36101)
4	700720727	1	DECAL, DANGER, SHIELD MISSING
5	71379128	1	DECAL, WARNING
6	71371720	1	DECAL, DANGER, ENGAGE RAM STOP
7	2609080W1	1	DECAL, HEAD LOWER ADJUST
8	71395988	1	DECAL, LUBE GUIDE (PRIOR S/N HP36101)
	71406770		DECAL, LUBE GUIDE (EFF. S/N HP36101)
9	700721125	1	DECAL, ATR
10	71379127	2	DECAL, WARNING, STAND CLEAR
11	71379129	2	DECAL, WARNING, KEEP OFF
12	71394697	1	DECAL, 9790
13	71394693	1	DECAL, MASSEY FERGUSON
14	71394691	1	DECAL, FIELDSTAR
15	71394690	2	DECAL, MF LOGO
16	71348560	1	DECAL, DANGER, USE NITROGEN
17	71379126	1	DECAL, WARNING, FLUID PRESSURE
18	71394175	1	DECAL, VALVE STACK
19	111743W1	2	DECAL, WARNING, HAND AWAY
20	7020589	1	EMBLEM, SMV
	7883275	2	SCR, HEX WSHR HD MACH, 1/4-20 X 3/4
	70931209	2	NUT, SERR FLANGE, 1/4-20
	70917377	2	WASHER, 1/4, WIDE
	70916952	2	WING NUT, 1/4-20
21	700717404	4	REFLECTOR, RED/ORANGE
22	700717402	4	REFLECTOR, RED
23	111736W2	1	DECAL, DANGER, STOP ENGINE
24	71368074	1	DECAL, BIN LOADER
25	590817M1	1	DECAL, HYDRAULIC RESERVOIR
26	71387749	1	DECAL, DANGER, STARTING FLUID
27	71389158	1	LABEL, EXIT
28	700725670	1	DECAL, WARNING
29	71395762	1	DECAL, DANGER
30	700720605	1	DECAL, WARNING, RADIATOR CAP
31	71385793	1	DECAL, AIR CONDITNING (PRIOR S/N HP36101)
32	71379132	2	DECAL, WARNING
33	71392776	1	DECAL, V.S. FAN DRIVE
34	71370232	1	DECAL, ACCUMULATOR SHUT-OFF
35	700729396	1	DECAL, BIODIESEL

MC00325

PR: 458

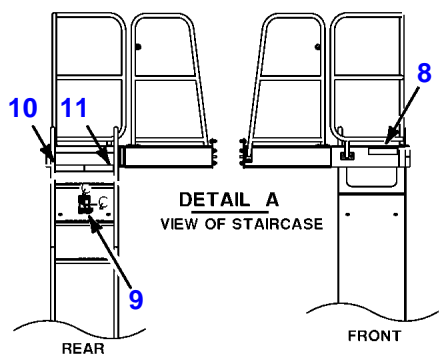
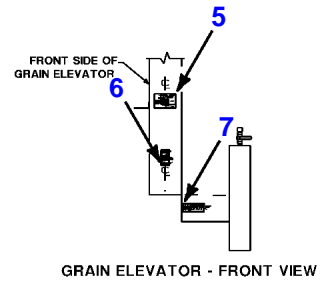
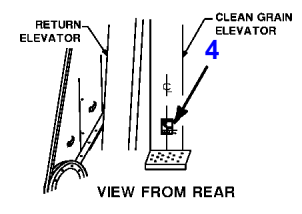
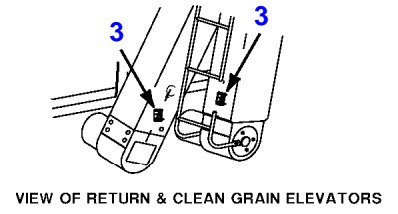
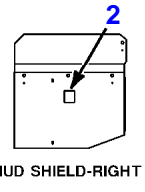
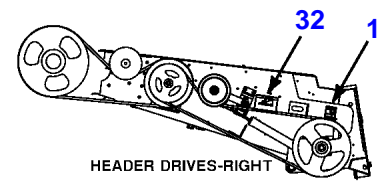
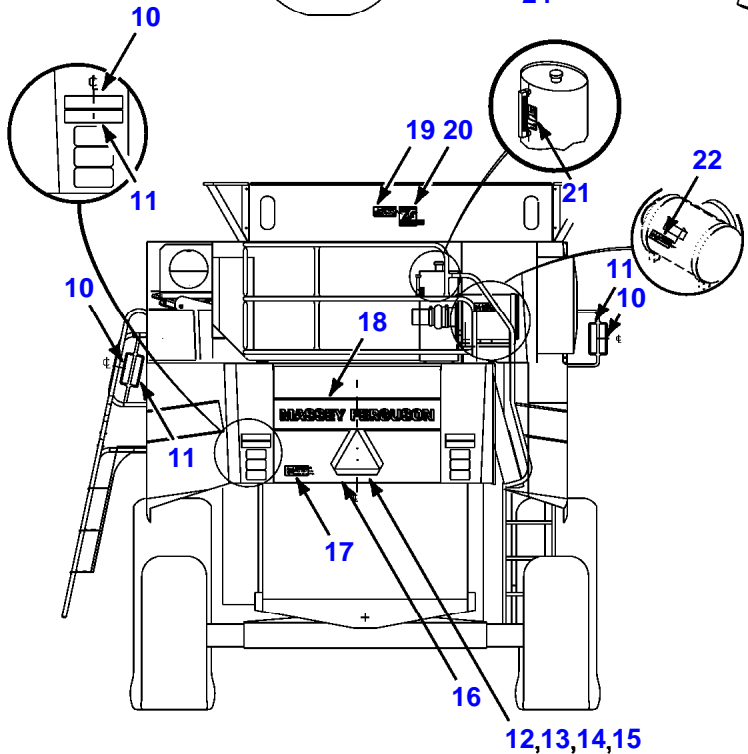
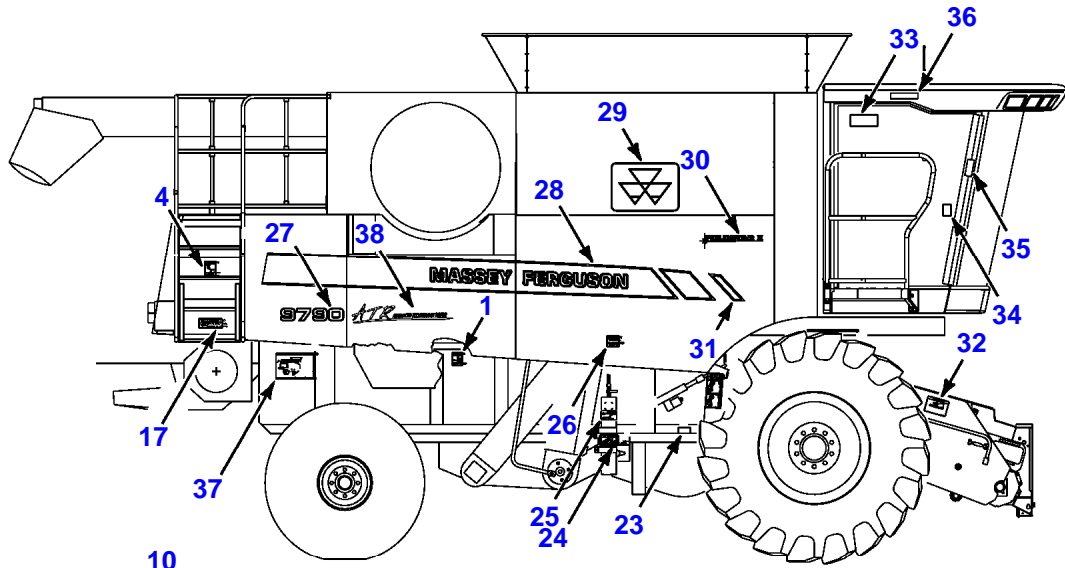




Item	Part Number	Qty	Description
1	700720605	1	DECAL-WARNING, RADIATOR CAP
2	71379132	2	DECAL-WARNING, BELT, FAN
3	111741W1	1	DECAL-DANGER, CLEANOUT
4	111670W1	2	DECAL-WARNING, BELT OR CHAIN
5	700717403	2	DECAL-REFLECTOR, AMBER
6	71379130	2	DECAL-WARNING, GRAIN TANK
7	71379129	1	DECAL-WARNING, FALLING OFF
8	111091W1	3	DECAL, DANGER, SHIELD MISSING
9	111095W1	2	DECAL-DANGER, HEADER FALLING
10	700721781	1	DECAL-WARNING, KEEP OFF
11	700720618	1	DECAL-TIRE USAGE
12	700729424	1	DECAL-FIELDSTAR II
13	700727848	1	DECAL-MF
14	700727841	1	DECAL-MF, FRONT, LEFT
15	71379128	1	DECAL-WARNING, SHIELDS IN PLACE
16	700728779	1	DECAL-LUBE INTERVAL
17	700727843	1	DECAL-MF, LEFT
18	70924946	2	RIVET, 1/8 X 9/32
19	590769M1	1	DECAL-PATENT
20		1	PLATE-SERIAL (NOT SERVICE)
21	700729423	1	DECAL-STRIPES, LEFT REAR
22	71379127	1	DECAL-WARNING, STAND CLEAR
23	700727993	1	DECAL-BATTERY SWITCH
24	71407700	1	DECAL, ROTOR GEAR SHIFT
25	700729399	1	DECAL-9790
26	71395757	1	EMBLEM, MF
27	71365412	1	DECAL, U.S. FLAG
28	112967W1	1	DECAL, MASSEY FERGUSON
29	-----	-	DECAL NOT USED

MC00567

PR: 71418088-03-12



MC00568

**Buy Now**



Our support email:

[ebooklibonline@outlook.com](mailto:ebooklibonline@outlook.com)