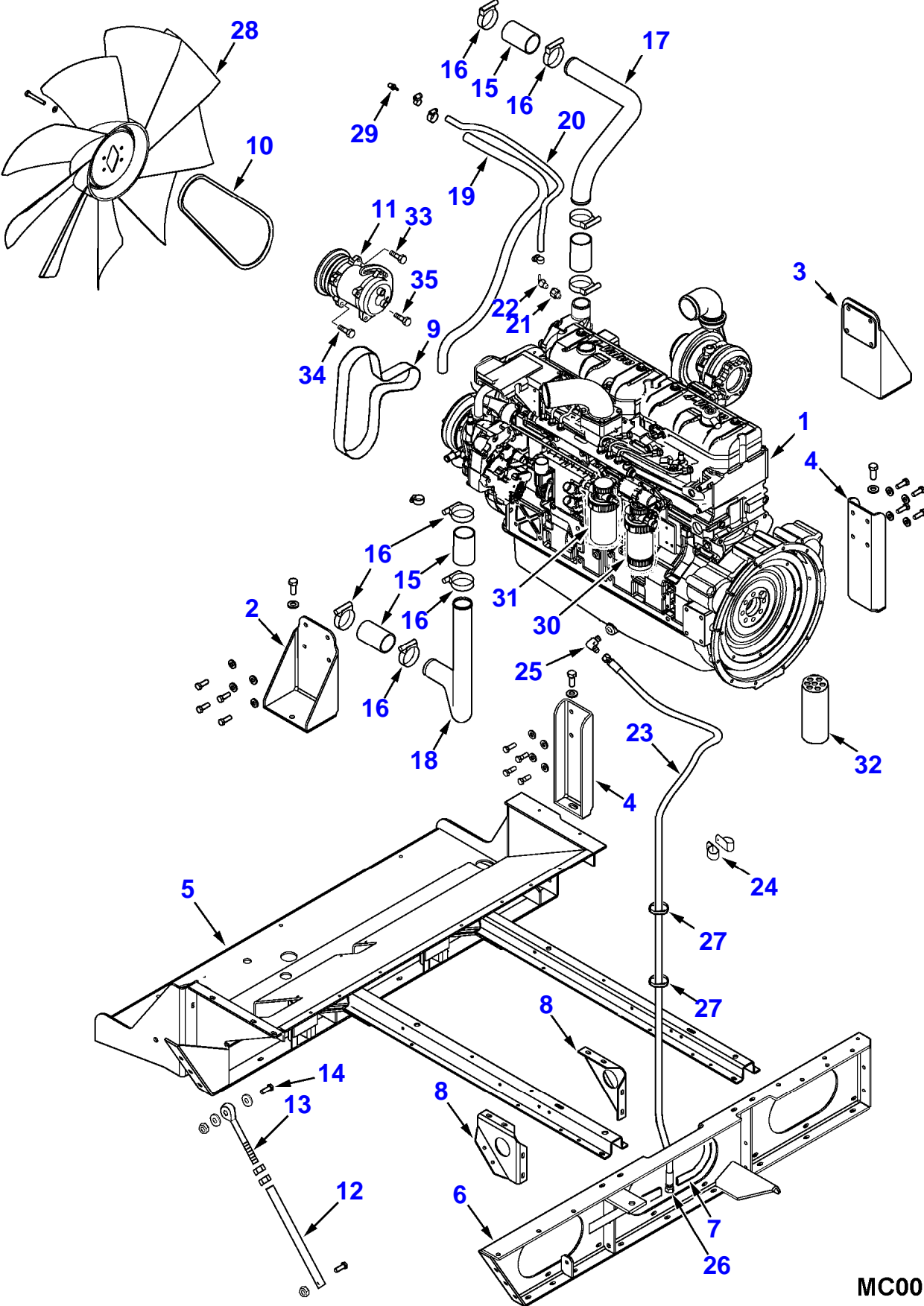


Page Number	Page Title	Page Reference
01-000-TOC	ENGINE, FUEL AND EXHAUST SYSTEM	01-000-TOC
02-000-TOC	DRIVE SYSTEM	02-000-TOC
03-000-TOC	AXLES	03-000-TOC
04-000-TOC	FRAME AND SUSPENSION	04-000-TOC
05-000-TOC	STEERING SYSTEM	05-000-TOC
06-000-TOC	DRIVE TRAIN SYSTEM	06-000-TOC
07-000-TOC	BRAKE SYSTEM	07-000-TOC
08-000-TOC	HYDRAULIC SYSTEM	08-000-TOC
09-000-TOC	ELECTRICAL SYSTEM	09-000-TOC
10-000-TOC	CAB	10-000-TOC
11-000-TOC	AIR CONDITIONING AND HEATING SYSTEM	11-000-TOC
12-000-TOC	CHASSIS	12-000-TOC
13-000-TOC	DECALS	13-000-TOC
14-000-TOC	WHEELS	14-000-TOC
15-000-TOC	FEEDING SYSTEM	15-000-TOC
16-000-TOC	THRESHING SYSTEM	16-000-TOC
17-000-TOC	CLEANING SYSTEM	17-000-TOC
18-000-TOC	GRAIN BIN AND ELEVATOR SYSTEM	18-000-TOC
19-000-TOC	DISCHARGE SYSTEM	19-000-TOC
20-000-TOC	PRECISION FARMING SYSTEMS	20-000-TOC

Page Number	Page Title	Page Reference
01-0001	ENGINE AND MOUNTING	T05L09O11C0001
01-0002	CYLINDER BLOCK	T05L09O11C0002
01-0003	FRONT GEAR HOUSING	T05L09O11C0003
01-0004	FLYWHEEL AND HOUSING	T05L09O11C0004
01-0005	CRANKSHAFT AND PISTONS	T05L09O11C0005
01-0006	CAMSHAFT AND VALVE	T05L09O11C0006
01-0007	CYLINDER HEAD	T05L09O11C0007
01-0008	INTAKE AND EXHAUST MANIFOLD	T05L09O11C0008
01-0009	TURBOCHARGER	T05L09O11C0009
01-0010	OIL SUMP AND PUMP	T05L09O11C0010
01-0011	OIL COOLER AND FILTER	T05L09O11C0011
01-0012	OIL FILTER, CENTRIFUGAL	T07A23O20B0001
01-0013	COOLANT PUMP SYSTEM	T05L09O11C0012
01-0014	COOLANT PUMP	333468
01-0015	INJECTION PUMP SYSTEM	T05L09O11C0013
01-0016	FUEL LINES AND FILTERS	T05L09O11C0014
01-0017	ENGINE ELECTRICAL	T05L09O11C0015
01-0018	ALTERNATOR PRIOR S/N BHC07101	T05L09O11C0016
01-0019	ALTERNATOR EFFECTIVE S/N BHC07101	71419761-06-11
01-0020	STARTER MOTOR, ISKRA	T05L09O11C0017
01-0021	STARTER MOTOR, BOSCH	836873457-01-11
01-0022	DRIVE BELT SYSTEM	T07K26N47D0001
01-0023	ENGINE OVERHAUL KIT	T05L09O11C0019
01-0024	AIR INTAKE - EXHAUST SYSTEM	71419762-01-12
01-0025	AIR PRE-CLEANER KIT	71434277-01-11
01-0026	COOLANT AND AIR TUBES	71419762-01-22
01-0027	POWER TAKE OFF	71420702-02-11
01-0028	RADIATOR PACKAGE	71419760-03-22
01-0029	COOLING SYSTEM PRIOR S/N AHC07101	71419760-03-12
01-0030	COOLING SYSTEM EFFECTIVE S/N AHC07101	71436632-01-12
01-0031	SLINGER ASSEMBLY PRIOR S/N AHC07101	71404413-02-11
01-0032	SLINGER ASSEMBLY EFFECTIVE S/N AHC07101	71428836-03-11
01-0033	RADIATOR - SLINGER EFFECTIVE S/N BHC07101	71434186-01-11
01-0034	SHIELD AND DEFLECTOR, ROTARY SCREEN	71428048-02-11
01-0035	ROTARY SCREEN LATCH PRIOR S/N AHC07101	71420613-01-11
01-0036	ROTARY SCREEN LATCH EFFECTIVE S/N AHC07101	71434299-01-11
01-0037	FUEL LINES	71424480-05-11
01-0038	FUEL FILTER KIT	71422668-02-22
01-0039	FUEL TANK AND LINES	71414311-02-22

9795 ROTARY COMBINE
MC00398

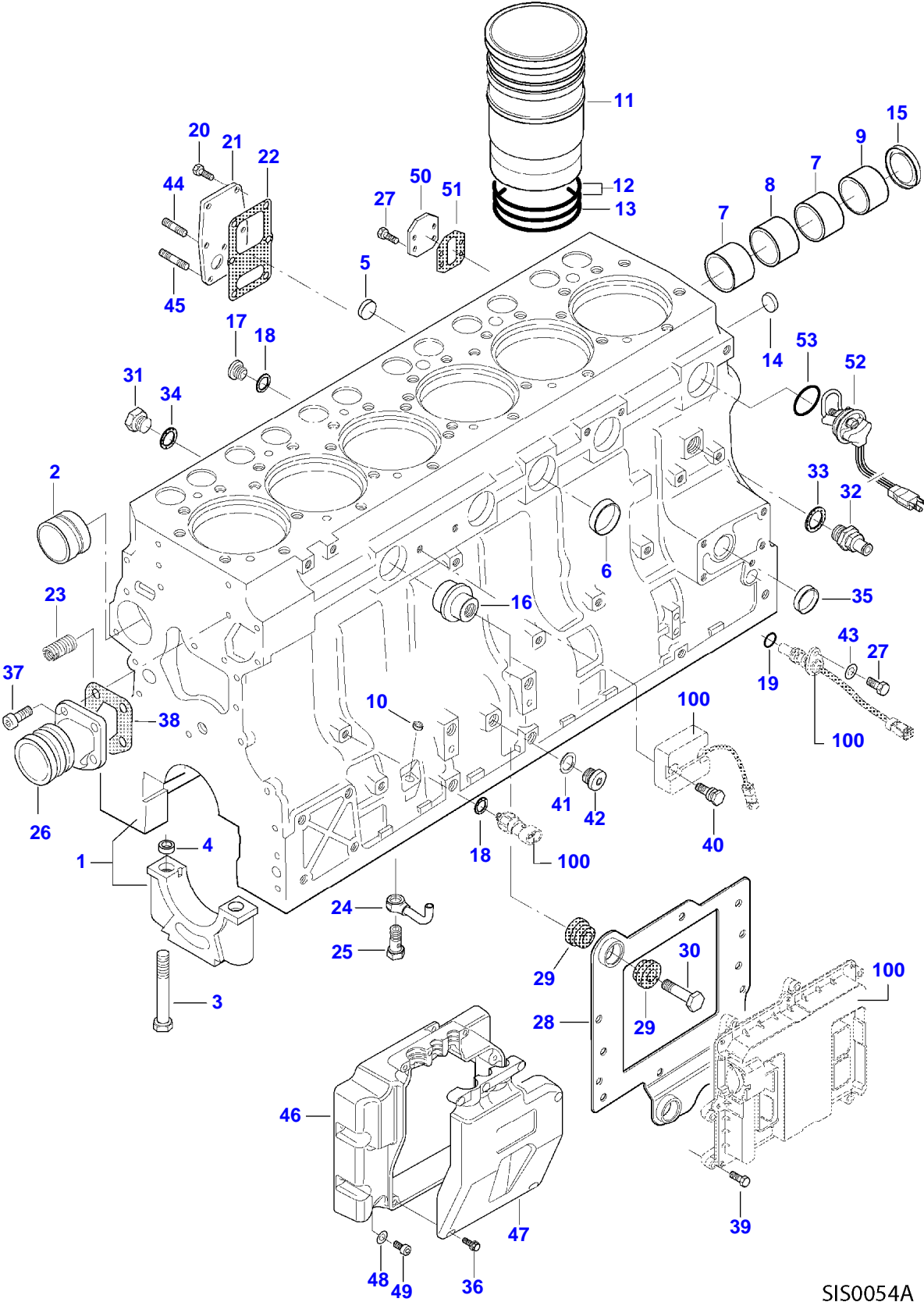


MC00398

Item	Part Number	Qty	Description Comments	Technical Specification
1	V835276177	1	ENGINE	84 CTA-4V
2	71409064	1	MOUNTING BRACKET, RIGHT HAND	
3	71409065	1	MOUNTING BRACKET, RIGHT HAND	
	7701758	2	HEX CAP SCREW	5/8"-11 X 1-1/2
	Y705582	2	FLAT WASHER	5/8"
	3818907M1	6	BOLT	
4	71405966	2	ENGINE MOUNT BRACKET, LEFT HAND	
	7701758	2	HEX CAP SCREW	5/8"-11 X 1-1/2
	Y705582	2	FLAT WASHER	5/8"
	3818907M1	8	BOLT	
5	71419767	1	ENGINE SUBFRAME	
	3012167X1	8	HEXAGON FLANGE BOLT	M10 X 30 (1.5) ISO 8.8 ZN
	5000004X1	8	HEX FLANGE LOCKNUT	M10 (1.5) ISO 10
6	71420150	1	ENGINE SUBFRAME, LEFT HAND	
	3012167X1	16	HEXAGON FLANGE BOLT	M10 X 30 (1.5) ISO 8.8 ZN
	5000004X1	16	HEX FLANGE LOCKNUT	M10 (1.5) ISO 10
7	700718444	1	PUSH ON TRIM	233MM
8	102302M1	2	ENGINE RAIL GUSSET	
	3012167X1	4	HEXAGON FLANGE BOLT	M10 X 30 (1.5) ISO 8.8 ZN
	5000004X1	4	HEX FLANGE LOCKNUT	M10 (1.5) ISO 10
9		1	SEE "DRIVE BELT SYSTEM"	
10	71148120	1	V-BELT	51"
11	71379601	1	AIR CONDITIONING COMPRESSOR	
	71386436	1	COMPRESSOR CLUTCH SEALED BEARING	
12	71388895	2	TUBE SUPPORT BRACE	
	353728X1	2	HEX CAP SCREW	5/8"-11 X 2.00 -SAE 5-ZN
	70923353	2	HEX LOCKNUT	5/8"-11, GRA
13	71343344	2	EYE BOLT	3/4"-10 X 6"
	42578PF	4	HEX NUT	3/4"-10, G2
14	70925872	2	HEXAGONAL HEAD BOLT	3/4"-10 X 2-1/4", GR5
	AG561156	4	FLAT WASHER	3/4"
	70919332	2	LOCK WASHER	3/4"
	42578PF	6	HEX NUT	3/4"-10, G2
15	71367037	4	CONNECTOR SLEEVE	2-1/4" ID X 4"
16	71366540	8	CONSTANT TORQUE CLAMP	3.110" OD TO 2.245" OD
17	71406606	1	COOLANT LINE	
18	71405963	1	COOLANT LINE	
19	71408686	1	HOSE	3/4 ID
	AG561229	2	HOSE CLAMP	13/16"-1-3/4" , SAE 20 ,SS
20	71408687	1	HOSE	3/16 ID
	70929402	2	HOSE CLAMP	1/4" X 5/8"
21	700716238	1	ADAPTER FITTING	1/8" F NPTF X M10 X 1 M ORB
	700716061	1	O-RING	8.10 OD X 1.6MM
22	71406629	1	ELBOW FITTING	90 DEG, 0.125FNPT X 3/16 BARB
23	71427167	1	HYDRAULIC HOSE	5/8" ID X 3051MM
24	70937677	4	J-CLIP	1" ID X 10.31MM HOLE
	70937684	4	J-CLIP	1-1/4" ID X .406" HOLE
	3012166X1	3	HEXAGON FLANGE BOLT	M10 X 25 (1.5) ISO 8.8 ZN
	5000004X1	3	HEX FLANGE LOCKNUT	M10 (1.5) ISO 10
25	3019418X91	1	ELBOW FITTING	7/8"-14 MJIC X M22 X 1.5 M ORB
	3019398X1	1	O RING	?19,30 X 2,20 MM
26	70924290	1	HEX HEAD PLUG	7/8"-14
27	3619622M1	2	CABLE TIE	L = 390 MM
28	71407844	1	FAN BLADE	
	3009213X1	6	HEXAGON FLANGE BOLT	M10 X 60 (1.5) ISO 10.9 ZN
	Y705533	6	FLAT WASHER	3/8"
29	71406628	1	COUPLING	3/16" X 1/4"
30	V836867591	1	FUEL ELEMENT	
31	V836867595	1	FUEL ELEMENT	
32	V836379588	1	ENGINE OIL FILTER	
33	3009495X1	1	HEX CAP SCREW	M10 X 40 (1.5) ISO 8.8 ZN
	SN317	1	FLAT WASHER	3/8"
	339376X1	1	LOCKWASHER	M10 ZN
	339402X1	1	HEX NUT	M10 (1.5) ISO 8 ZN
34	3009495X1	1	HEX CAP SCREW	M10 X 40 (1.5) ISO 8.8 ZN
	339376X1	1	LOCKWASHER	M10 ZN
	339402X1	1	HEX NUT	M10 (1.5) ISO 8 ZN
35	72160927	1	SPLIT SLEEVE	

Item	Part Number	Qty	Description Comments	Technical Specification
	3009495X1	1	HEX CAP SCREW	M10 X 40 (1.5) ISO 8.8 ZN
	339376X1	1	LOCKWASHER	M10 ZN
	339402X1	1	HEX NUT	M10 (1.5) ISO 8 ZN

9795 ROTARY COMBINE
SIS0054A



SIS0054A

Massey Ferguson
9795 ROTARY COMBINE
CYLINDER BLOCK

651883

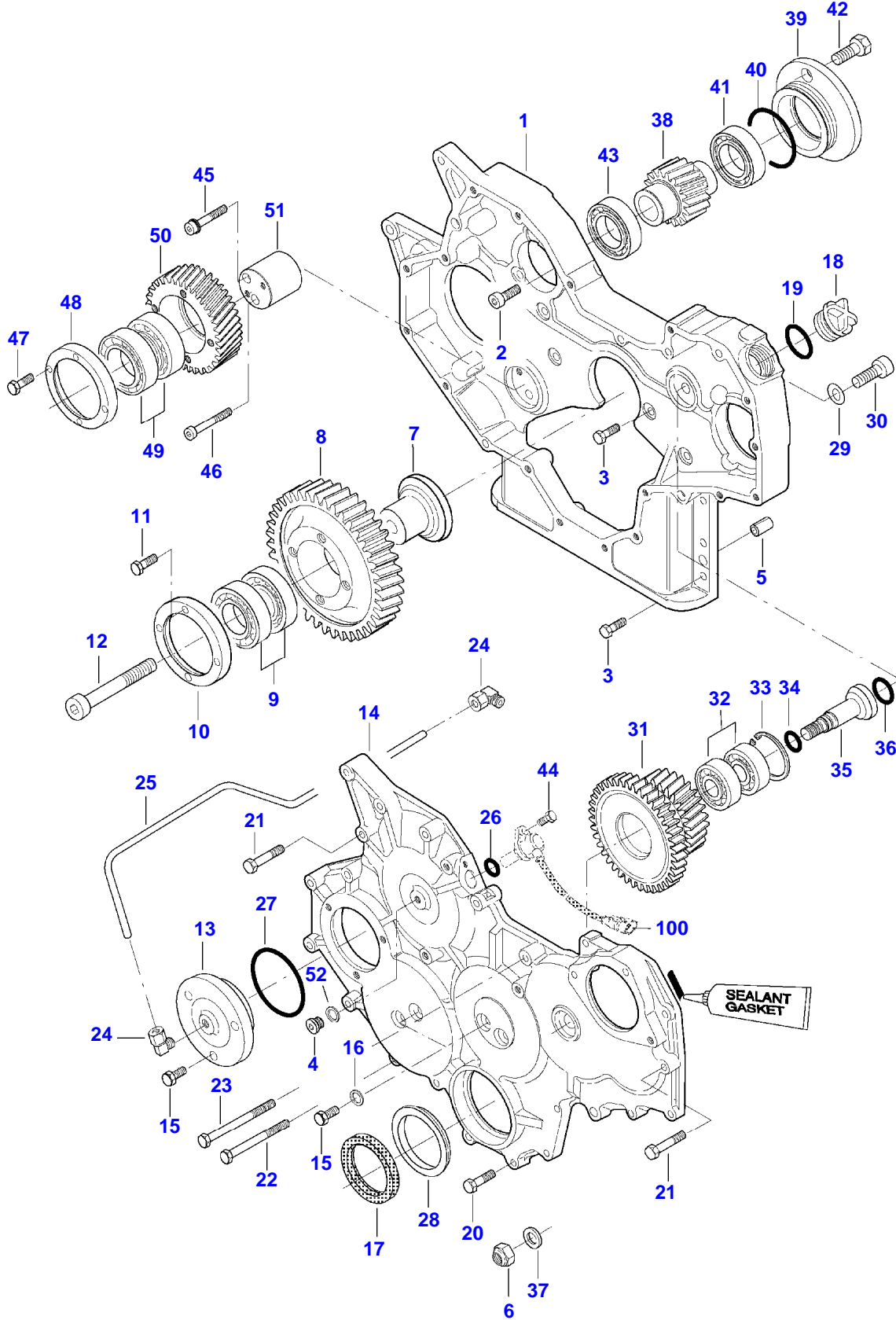
Page01-0002

Item	Part Number	Qty	Description Comments
1	V837086411	1	CYLINDER BLOCK
2	V836866069	1	CAMSHAFT BEARING BUSH [A]
3	V529903180	14	HEX CAP SCREW [A]
4	V836214478	24	GUIDE SLEEVE [A]
5	V640016018	1	PLUG [A]
6	V640016040	5	PLUG [A]
7	V836852460	2	CAMSHAFT BEARING BUSH [A]
8	V837084307	1	CAMSHAFT BEARING BUSH [A]
9	V836852461	1	CAMSHAFT BEARING BUSH [A]
10	V640016012	1	PLUG
11	V836867048	6	LINER
	V836867050	-	LINER
12	V836855446	12	CYLINDER LINER O-RING
13	V836855447	6	CYLINDER LINER O-RING
14	V640016016	4	PLUG
15	V836852744	1	PLUG
16	V837069057	1	PLUG
17	V640325110	5	PLUG
18	V615871014	5	SEALING WASHER
19	V614601524	1	O-RING
20	V528801382	5	HEX CAP SCREW
21	V836855678	1	COVER
22	V836322852	1	GASKET
23	V836859153	1	THREADED BUSH
24	V837070021	6	PIPE
25	V836338601	6	PRESSURE VALVE
26	V836855629	1	FLANGE
27	V528801362	5	HEX CAP SCREW
28	V837070147	1	ECU BRACKET
29	V837069052	6	RUBBER BUSH
30	V837069056	3	SCREW
31	V836119079	1	PLUG
32	V836664377	1	COCK
33	V615881824	1	SEALING WASHER
34	V615881620	1	SEALING WASHER
35	V640016035	1	PLUG
36	V590253388	6	SCREW
37	V581804602	5	HEX SOCKET SCREW
38	V836855554	1	GASKET
39	V529801102	8	HEX CAP SCREW
40	V837070197	1	SCREW
41	V615881420	1	SEALING WASHER
42	V640325014	1	PLUG
43	V500050842	1	WASHER
44	V546801360	1	STUD BOLT
45	V546801400	1	STUD BOLT
46	V837070285	1	COVER
47	V837070286	1	COVER
48	V500150642	5	WASHER
49	V581804182	5	HEX SOCKET SCREW
50	V836866957	1	COVER
51	V836866958	1	GASKET
52	V836840934	1	ENGINE BLOCK HEATER
53	V836840998	1	O-RING

100

SEE "ENGINE ELECTRICAL"
[A] INCLUDED IN ITEM 1

9795 ROTARY COMBINE
SIS0053A

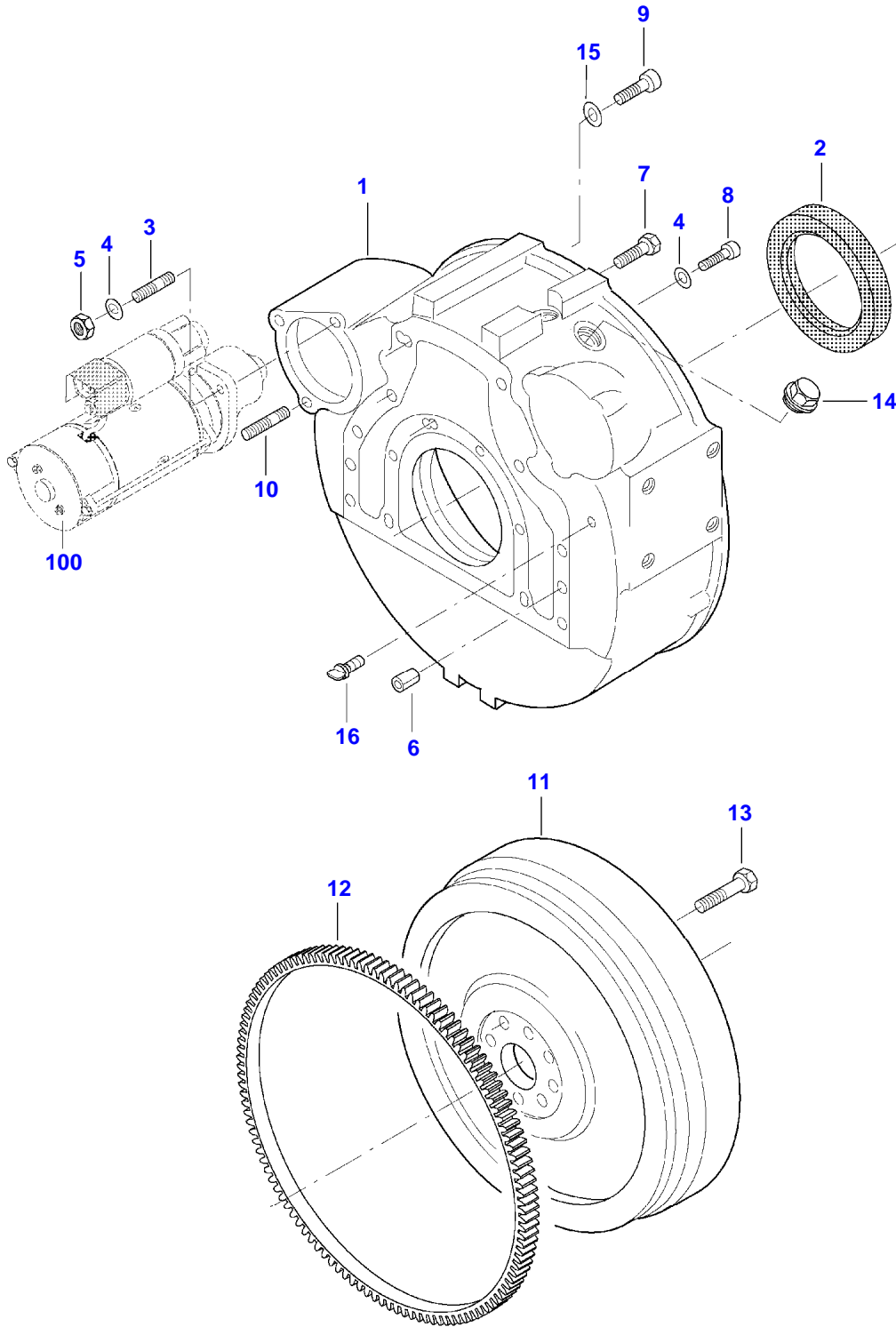


SIS0053A

Massey Ferguson
 9795 ROTARY COMBINE
 FRONT GEAR HOUSING

Item	Part Number	Qty	Description Comments
1	V837070107	1	TIMING GEAR CASE
2	V581804620	2	HEX SOCKET SCREW
3	V528801402	12	HEX CAP SCREW
4	V640325110	1	PLUG
5	V598359850	2	PIN
6	V504601400	1	NUT
	V837070001	1	KIT, GEAR INCLUDES ITEMS 7-11
7	V836855562	1	SHAFT
8	V837070000	1	IDLER GEAR
9	V610072109	2	BALL BEARING
10	V836855565	1	RING
11	V528901400	4	HEX CAP SCREW
12	V581705910	1	HEX SOCKET SCREW
13	V837070179	1	COVER
14	V837070108	1	GEAR HOUSING FRONT COVER
15	V528801382	7	HEX CAP SCREW
16	V615870814	4	SEALING WASHER
17	V836840883	1	CRANKSHAFT SEAL
	V836873100	-	SPACER
18	V836017927	1	CAP
19	V614603540	1	O-RING
20	V528801410	10	HEX CAP SCREW
21	V529801440	9	HEX CAP SCREW
22	V529801510	1	HEX CAP SCREW
23	V529801540	1	HEX CAP SCREW
24	V641166006	2	ELBOW FITTING
25	V836867775	1	OIL PIPE
26	V614601718	1	O-RING
27	V614606825	1	O-RING
28	V836855636	1	SHIELD
29	V500951200	1	SPRING WASHER
30	V528902200	1	HEX CAP SCREW
	V581705420	1	HEX SOCKET SCREW
	V837070072	1	DUAL GEAR WHEEL INCLUDES ITEMS 31-36
31	V837070113	1	DUAL GEAR WHEEL
32	V610073040	2	BALL BEARING
33	V617330052	1	LOCK RING
34	V614601324	1	O-RING
35	V837069069	1	SHAFT
36	V614601924	1	O-RING
37	V837069070	1	WASHER
	V837070137	1	DRIVE INCLUDES ITEMS 38-41
38	V837070005	1	HYDRAULIC PUMP GEAR WHEEL
39	V836855651	1	FLANGE
40	V614609430	1	O-RING
41	V610060096	1	BALL BEARING
42	V528802602	2	HEX CAP SCREW
43	V610060096	1	BALL BEARING
44	V528801062	1	HEX CAP SCREW
45	V580704670	1	HEX SOCKET SCREW
46	V581704710	1	HEX SOCKET SCREW
	V837070004	1	IDLER GEAR INCLUDES ITEMS 47-51
47	V528901400	4	HEX CAP SCREW
48	V836855565	1	RING
49	V610072109	2	BALL BEARING
50	V837070002	1	IDLER GEAR
51	V837070003	1	SHAFT
52	V615871014	1	SEALING WASHER
100			SEE "ENGINE ELECTRICAL"

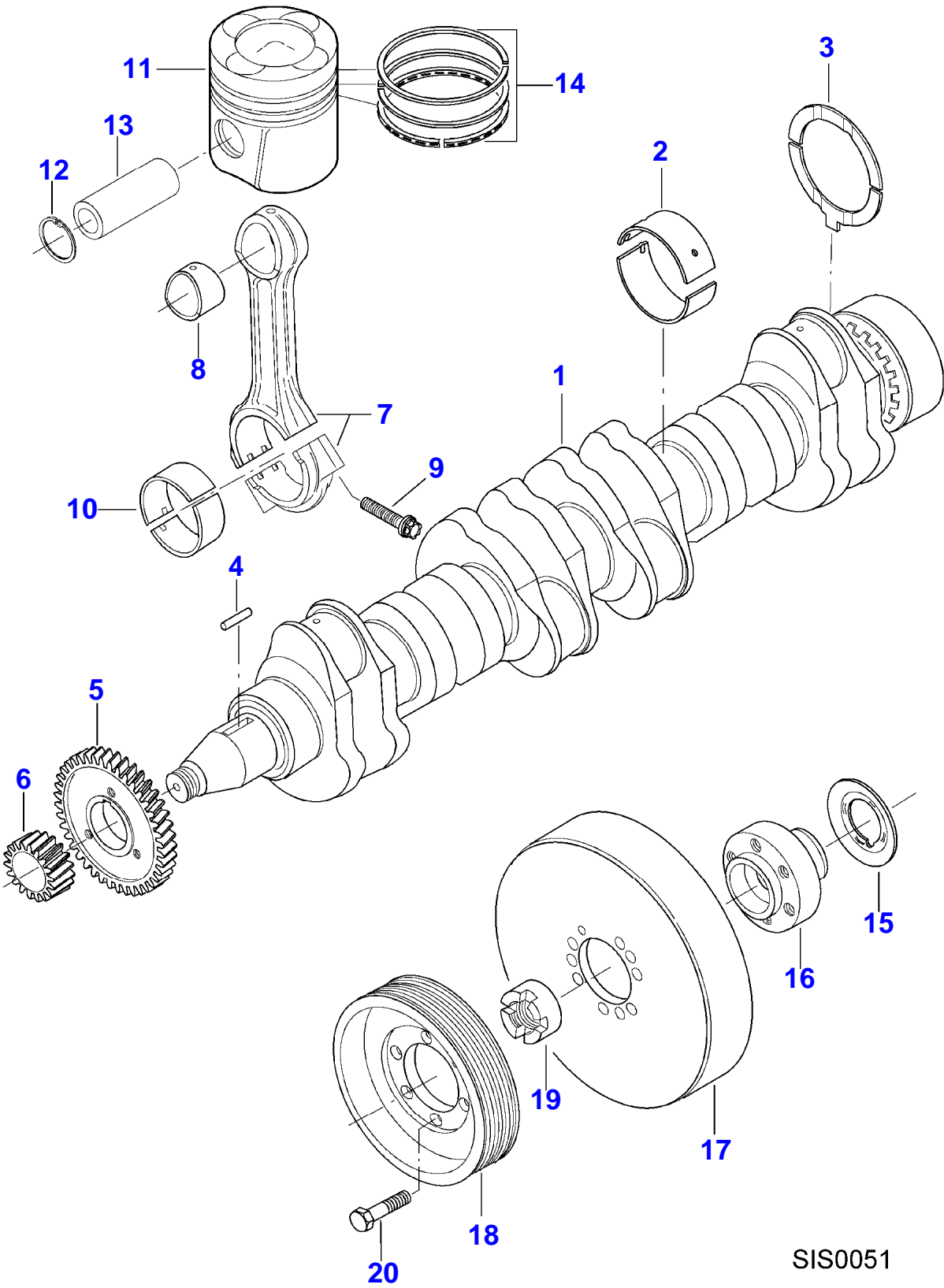
9795 ROTARY COMBINE
SIS0052A



SIS0052A

Item	Part Number	Qty	Description Comments
1	V836652468	1	FLYWHEEL HOUSING
2	V836840884	1	CRANKSHAFT SEAL
	V836020054	-	SPACER
3	V546801800	2	STUD BOLT
4	V500951000	6	SPRING WASHER
5	V504601000	3	NUT
6	V598359850	2	PIN
7	V528902220	6	HEX CAP SCREW
8	V581705030	6	HEX SOCKET SCREW
9	V581705440	2	HEX SOCKET SCREW
10	V546801820	1	STUD BOLT
11	V836859485	1	FLYWHEEL
12	V836117943	1	STARTER RING [A]
13	V529702630	8	HEX CAP SCREW
	V500951400	-	SPRING WASHER
14	V640045126	1	PLUG
15	V500951200	1	SPRING WASHER
16	V836859311	1	PLUG
100	V836874005	1	STARTER MOTOR [A] INCLUDED IN ITEM 11

9795 ROTARY COMBINE
SIS0051



SIS0051

Item	Part Number	Qty	Description Comments	Technical Specification
1	V837069088	1	CRANKSHAFT	
2	V836840944	7	MAIN BEARING STANDARD	
	V836840978	7	MAIN BEARING	
	V836840979	7	MAIN BEARING	
	V836840980	7	MAIN BEARING	
	V836840981	7	MAIN BEARING	
3	V836840945	2	THRUST WASHER	
	V836840982	2	THRUST WASHER	
	V836840983	2	THRUST WASHER	
4	V836855525	1	KEY	
5	V836855558	1	GEAR,CRANKSHAFT	
6	V837069060	1	GEAR	
7	V836340948	-	CONNECTING ROD KIT INCLUDES SIX RODS IN SAME WEIGHT CLASS	
	V836864101	6	CONROD STAMPED E	
	V836864102	6	CONROD STAMPED F	
	V836864103	6	CONROD STAMPED G	
	V836864104	6	CONROD STAMPED H	
	V836864105	6	CONROD STAMPED I	
	V836864106	6	CONROD STAMPED J	
	V836864107	6	CONROD STAMPED K	
8	V836864288	6	BEARING BUSH [A]	
9	V836864141	12	CONNECTING ROD BOLT [A]	
10	V837062996	6	CONROD BEARING	
	V836338650	6	BEARING SHELL	+0.25
	V836338651	6	BEARING SHELL	
	V836338652	6	BEARING SHELL	
	V836338653	6	BEARING SHELL	
11	V837073230	6	PISTON	
12	NS	12	NON-SERVICEABLE PART [B]	
13	NS	6	NON-SERVICEABLE PART [B]	
14	V836840887	6	PISTON RING KIT [B]	
15	V836855637	1	RING	
16	V836855641	1	CRANKSHAFT HUB	
17	V836840882	1	CRANKSHAFT VIBRATION DAMPENER	
18	V836855690	1	CRANKSHAFT PULLEY	
19	V836322221	1	CRANKSHAFT NUT	
20	V528702230	6	HEX CAP SCREW	
			[A] INCLUDED IN ITEM 7	
			[B] INCLUDED IN ITEM 11	

Buy Now



Our support email:

ebooklibonline@outlook.com