

Page Number	Page Title	Page Reference
01-000-TOC	ENGINE, FUEL AND EXHAUST SYSTEM	01-000-TOC
02-000-TOC	STEERING SYSTEM	02-000-TOC
03-000-TOC	DRIVE TRAIN SYSTEM	03-000-TOC
04-000-TOC	BRAKE SYSTEM	04-000-TOC
05-000-TOC	HYDRAULIC SYSTEM	05-000-TOC
06-000-TOC	ELECTRICAL SYSTEM	06-000-TOC
07-000-TOC	CAB	07-000-TOC
08-000-TOC	CHASSIS	08-000-TOC
09-000-TOC	DECALS	09-000-TOC
10-000-TOC	WHEELS	10-000-TOC
11-000-TOC	IMPLEMENT LIFT SYSTEM	11-000-TOC
12-000-TOC	ACCESSORIES	12-000-TOC

Page Number	Page Title	Page Reference
01-001	FILTER AND BELT GUIDE	244619
01-002	SHORT BLOCK E4CGWB11 1648 DYNAQPS, HYDROSTATIC, AND E4CGWB12 1648 POWERSHUTTLE, SYNCROSHUTTLE	T09B20K32C0018
01-003	SHORT BLOCK E4DEWB10 1652 DYNAQPS, HYDROSTATIC, AND E4DEWB11 1652 POWERSHUTTLE, SYNCROSHUTTLE	T09B20K32C0078
01-004	SHORT BLOCK E4DEWB12 1655 SYNCROSHUTTLE AND E4DEWB13 1655 POWERSHUTTLE	T09B20K32C0138
01-005	CYLINDER HEAD E4CGWB11 AND E4CGWB12 1648	T09B20K32C0019
01-006	CYLINDER HEAD E4DEWB10, E4DEWB11, E4DEWB12 AND E4DEWB13 1652, 1655	T09B20K32C0079
01-007	CYLINDER HEAD COVER E4CGWB11 AND E4CGWB12 1648	T09B20K32C0020
01-008	CYLINDER HEAD COVER E4DEWB10, E4DEWB11, E4DEWB12 AND E4DEWB13 1652, 1655	T09B20K32C0080
01-009	INLET MANIFOLD E4CGWB11 AND E4CGWB12 1648	T09B20K32C0021
01-010	INLET MANIFOLD E4DEWB10, E4DEWB11, E4DEWB12 AND E4DEWB13 1652, 1655	T09B20K32C0081
01-011	EXHAUST MANIFOLD E4CGWB11 AND E4CGWB12 1648	T09B20K32C0022
01-012	EXHAUST MANIFOLD E4DEWB10, E4DEWB11, E4DEWB12 AND E4DEWB13 1652, 1655	T09B20K32C0082
01-013	CYLINDER BLOCK E4CGWB11 AND E4CGWB12 1648	T09B20K32C0023
01-014	CYLINDER BLOCK E4DEWB10 AND E4DEWB11 1652	T09B20K32C0083
01-015	CYLINDER BLOCK E4DEWB12, E4DEWB13 1655	T09B20K32C0143
01-016	BEARING - UNDER SIZE E4CGWB11 AND E4CGWB12 1648	T09B20K32C0024
01-017	BEARING - UNDER SIZE E4DEWB10, E4DEWB11, E4DEWB12 AND E4DEWB13 1652, 1655	T09B20K32C0084
01-018	OIL PAN E4CGWB11 AND E4CGWB12 1648	T09B20K32C0025
01-019	OIL PAN E4DEWB10, E4DEWB11, E4DEWB12 AND E4DEWB13 1652, 1655	T09B20K32C0085
01-020	REAR PLATE E4CGWB11 AND E4CGWB12 E4DEWB10 AND E4DEWB11 1648, 1652	T09B20K32C0026
01-021	REAR PLATE E4DEWB12 AND E4DEWB13 1655	T09B20K32C0146
01-022	TIMING GEAR CASE - DYNAQPS AND HYDROSTATIC E4CGWB11 W/ JOY STICK	T09B20K32C0027
01-023	TIMING GEAR CASE - POWERSHUTTLE, SYNCROSHUTTLE AND HYDROSTATIC E4CGWB12 1648 W/O JOY STICK	T09B20K32C0057
01-024	TIMING GEAR CASE - DYNAQPS AND HYDROSTATIC E4DEWB10 1652 W/ JOY STICK	T09B20K32C0087
01-025	TIMING GEAR CASE - POWERSHUTTLE AND HYDROSTATIC E4DEWB11, E4DEWB12 AND E4DEWB13 1652 W/O JOY STICK, ALL 1655	T09B20K32C0117
01-026	HANGER E4CGWB11 AND E4CGWB12 1648	T09B20K32C0028
01-027	HANGER E4DEWB10, E4DEWB11, E4DEWB12 AND E4DEWB13 1652, 1655	T09B20K32C0088
01-028	ROCKER SHAFT E4CGWB11 AND E4CGWB12 1648	T09B20K32C0029

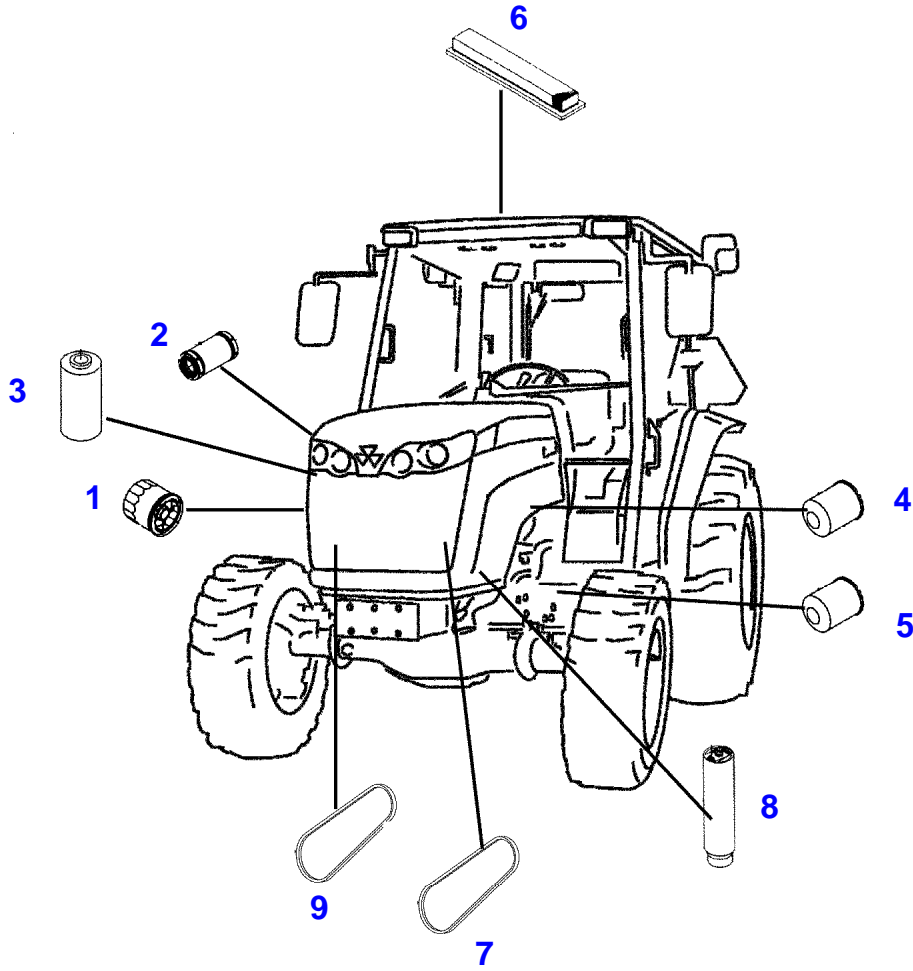
Page Number	Page Title	Page Reference
01-029	ROCKER SHAFT E4DEWB10, E4DEWB11, E4DEWB12 AND E4DEWB13 1652, 1655	T09B20K32C0089
01-030	CAMSHAFT E4CGWB11 AND E4CGWB12 1648	T09B20K32C0030
01-031	CAMSHAFT E4DEWB10, E4DEWB11, E4DEWB12 AND E4DEWB13 1652, 1655	T09B20K32C0090
01-032	PISTON E4CGWB11 AND E4CGWB12 1648	T09B20K32C0031
01-033	PISTON E4DEWB10, E4DEWB11, E4DEWB12 AND E4DEWB13 1652, 1655	T09B20K32C0091
01-034	PISTON OVER SIZE E4CGWB11 AND E4CGWB12 1648	T09B20K32C0032
01-035	PISTON OVER SIZE E4DEWB10, E4DEWB11, E4DEWB12 AND E4DEWB13 1652, 1655	T09B20K32C0092
01-036	CRANKSHAFT ALL E4CGWB11 -> 142203 FOR E4CGWB12 1648	T09B20K32C0033
01-037	CRANKSHAFT -> 14204 FOR E4CGWB12 1648	6008-350Z-0100
01-038	CRANKSHAFT ALL OF E4DEWB10 AND E4DEWB12 1652 -> 37102 FOR E4DEWB13	T09B20K32C0093
01-039	CRANKSHAFT -> 37103 FOR E4DEWB11 1652 -> 37191 FOR E4DEWB13 1655	6006350Y-0100
01-040	OIL PUMP E4CGWB11 AND E4CGWB12 1648	T09B20K32C0034
01-041	OIL PUMP E4DEWB10 AND E4DEWB11 1652	T09B20K32C0094
01-042	OIL PUMP E4DEWB12 AND E4DEWB13 1655	T09B20K32C0154
01-043	WATER PUMP - DYNAQPS AND HYDROSTATIC E4CGWB11 1648 W/ JOY STICK	T09B20K32C0035
01-044	WATER PUMP - POWERSHUTTLE, SYNCROSHUTTLE AND HYDROSTATIC E4CGWB12 1648 W/O JOY STICK	T09B20K32C0065
01-045	WATER PUMP - DYNAQPS AND HYDROSTATIC E4DEWB10 1652 W/ JOY STICK	T09B20K32C0095
01-046	WATER PUMP - POWERSHUTTLE AND HYDROSTATIC E4DEWB11 W/O JOY STICK	T09B20K32C0125
01-047	WATER PUMP - POWERSHUTTLE E4DEWB12 1655	T09B20K32C0155
01-048	WATER PUMP - SYNCROSHUTTLE E4DEWB13 1655	T09B20K32C0185
01-049	COOLING FAN E4CGWB11 AND E4CGWB12 1648	T09B20K32C0036
01-050	COOLING FAN E4DEWB10, E4DEWB11, E4DEWB12 AND E4DEWB13 1652, 1655	T09B20K32C0096
01-051	INJECTION NOZZLE E4CGWB11 AND E4CGWB12 1648	T09B20K32C0037
01-052	INJECTION NOZZLE - COMPONENTS E4CGWB11 AND E4CGWB12 1648	T09B20K32C0044
01-053	INJECTION NOZZLE E4DEWB10 AND E4DEWB11, E4DEWB12 AND E4DEWB13 1652, 1655	T09B20K32C0097
01-054	INJECTION NOZZLE - COMPONENTS E4DEWB10 AND E4DEWB11, E4DEWB12 AND E4DEWB13 1652, 1655	T09B20K32C0104
01-055	INJECTION PUMP E4CGWB11 AND E4CGWB12 1648	T09B20K32C0038
01-056	INJECTION PUMP - COMPONENTS E4CGWB11 AND E4CGWB12 1648	T09B20K32C0045
01-057	INJECTION PUMP E4DEWB10, E4DEWB11, E4DEWB12 AND E4DEWB13 1652, 1655	T09B20K32C0098

Page Number	Page Title	Page Reference
01-058	INJECTION PUMP - COMPONENTS E4DEWB10, E4DEWB11, E4DEWB12 AND E4DEWB13 1652, 1655	T09B20K32C0105
01-059	FUEL PIPE	T09B20K32C0039
01-060	ADAPTER E4CGWB11 AND E4CGWB12 1648	T09B20K32C0040
01-061	ADAPTER E4DEWB10, E4DEWB11, E4DEWB12 AND E4DEWB13 1652, 1655	T09B20K32C0100
01-062	STARTER AND ALTERNATOR	T09B20K32C0041
01-063	STARTER - COMPONENTS	T09B20K32C0046
01-064	ALTERNATOR - COMPONENTS E4CGWB11, E4DEWB10, E4DEWB12 1652, AND 1655 POWERSHUTTLE	T09B20K32C0047
01-065	ALTERNATOR - COMPONENTS 1648, AND 1655 SYNCROSHUTTLE	T09B20K32C0077
01-066	ENGINE ELECTRICAL E4CGWB11 1648 DYNAQPS AND HYDROSTATIC W/JOYSTICK	T09B20K32C0042
01-067	ENGINE ELECTRICAL E4CGWB12 1648 POWERSHUTTLE, SYNCROSHUTTLE AND HYDROSTATIC W/O JOYSTICK	T09B20K32C0072
01-068	ENGINE ELECTRICAL E4DEWB10 1652 DYNAQPS, HYDROSTATIC W/ JOYSTICK	T09B20K32C0102
01-069	ENGINE ELECTRICAL E4DEWB11, E4DEWB12, E4DEWB13 1652 POWERSHUTTLE, HYDROSTATIC W/O JOYSTICK AND ALL 1655	T09B20K32C0132
01-070	GASKET SET ASSEMBLY E4CGWB11 AND E4CGWB12 1648	T09B20K32C0043
01-071	GASKET SET ASSEMBLY E4DEWB10, E4DEWB11, E4DEWB12 AND E4DEWB13 1652, 1655	T09B20K32C0103
01-072	RADIATOR - PLATFORM 1648	T09B20K32C0198
01-073	RADIATOR - PLATFORM 1648	T09B20K32C0199
01-074	RADIATOR - PLATFORM 1652,1655	T09B20K32C0200
01-075	RADIATOR - PLATFORM 1652,1655	T09B20K32C0201
01-076	RADIATOR - CAB 1648	T09B20K32C0202
01-077	RADIATOR - CAB 1648	T09B20K32C0203
01-078	RADIATOR - CAB 1652,1655	T09B20K32C0204
01-079	RADIATOR - CAB 1652,1655	T09B20K32C0205
01-080	MUFFLER 1648	T09B20K32C0206
01-081	MUFFLER 1652,1655	T09B20K32C0207
01-082	AIR CLEANER 1648	T09B20K32C0208
01-083	AIR CLEANER 1652,1655	T09B20K32C0209
01-084	FUEL TANK - PLATFORM 1648	T09B20K32C0210
01-085	FUEL TANK - PLATFORM 1648	T09B20K32C0211
01-086	FUEL TANK - PLATFORM 1652,1655	T09B20K32C0212
01-087	FUEL TANK - PLATFORM 1652,1655	T09B20K32C0213
01-088	FUEL TANK - CAB 1648	T09B20K32C0214
01-089	FUEL TANK - CAB 1648	T09B20K32C0215

Page Number	Page Title	Page Reference
01-090	FUEL TANK - CAB 1652,1655	T09B20K32C0216
01-091	FUEL TANK - CAB 1652,1655	T09B20K32C0217
01-092	HAND THROTTLE CONTROL - POWERSHUTTLE, SYNCROSHUTTLE AND DYNAQPS 1648	T09B20K32C0218
01-093	HAND THROTTLE CONTROL - POWERSHUTTLE, SYNCROSHUTTLE AND DYNAQPS 1652, 1655	T09B20K32C0219
01-094	HAND THROTTLE CONTROL - HYDROSTATIC 1648,1652	T09B20K32C0220
01-095	CRUISE CONTROL - HYDROSTATIC 1648 -> T0200	T09B20K32C0369
01-096	CRUISE CONTROL - HYDROSTATIC 1648 -> T0200	T09B20K32C0370
01-097	CRUISE CONTROL - HYDROSTATIC 1648 -> T0201	1786-642-0100
01-098	CRUISE CONTROL - HYDROSTATIC 1648 -> T0201	1786-642-0100-1
01-099	CRUISE CONTROL - HYDROSTATIC 1652	1787-642-0100
01-100	CRUISE CONTROL - HYDROSTATIC 1652	1787-642-0100-1

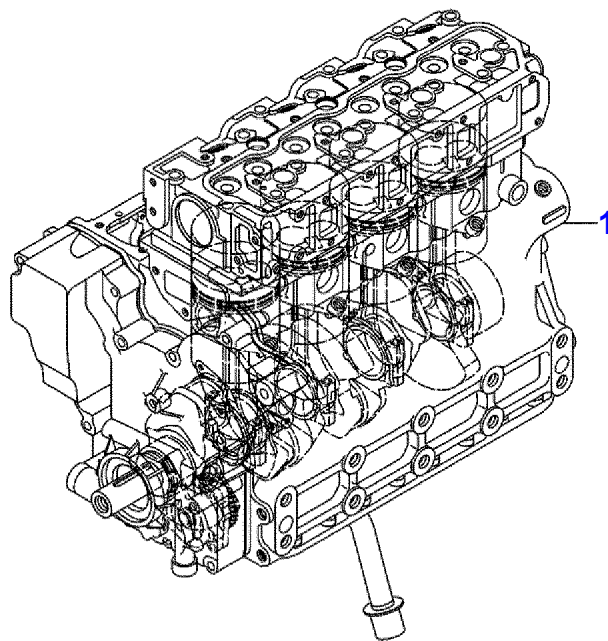
1648 / 1652 / 1655 COMPACT TRACTORS
FILTER AND BELT GUIDE

1600FIL



Item	Part Number	Qty	Description Comments	Technical Specification
1	3757038M2	1	OIL FILTER ENGINE	
2	6242781M91	1	INNER ELEMENT AIR CLEANER	
	6242573M92	1	AIR FITR.ELEMENT OUTER	
3	3702815M1	1	FUEL FILTER	
4	6255330M1	1	OIL FILTER HYDRAULIC OIL	20
5	3608996M91	1	CARTRIDGE HYDRAULIC OIL	
6	6243528M2	1	AIR FILTER CAB	
7	6243798M1	1	V-BELT AIR CONDITIONER COMPRESSOR	
8	6244522M91	1	DRYER RECEIVER	
9	4264647M1	1	BELT ENGINE FAN E4DEWB10, E4DEWB11, E4DEWB12 AND E4DEWB13 1652, 1655	V, R5 A 43

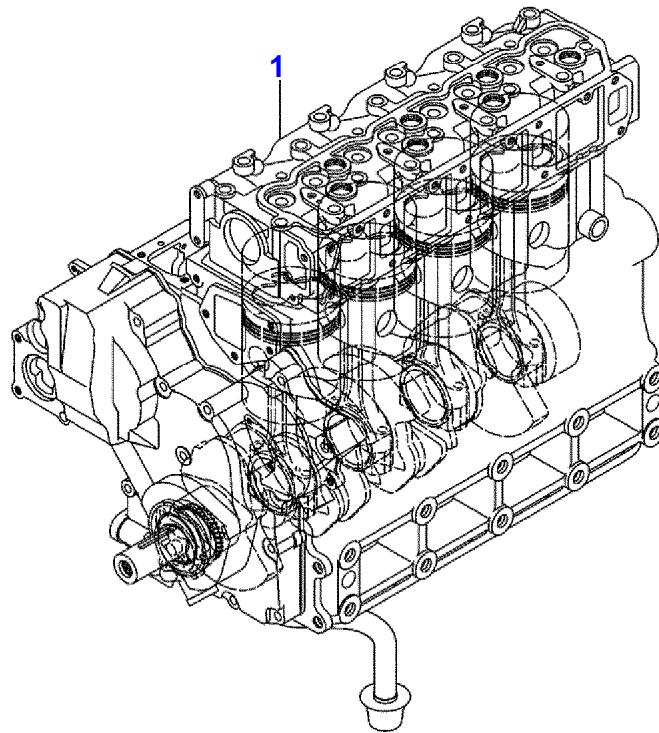
1648 / 1652 / 1655 COMPACT TRACTORS
SHORT BLOCK



MFC10319

Item	Part Number	Qty	Description Comments
			E4CGWB11 1648 DYNAQPS, HYDROSTATIC, AND E4CGWB12 1648 POWERSHUTTLE, SYNCROSHUTTLE
1	6256017M91	1	SHORT BLOCK

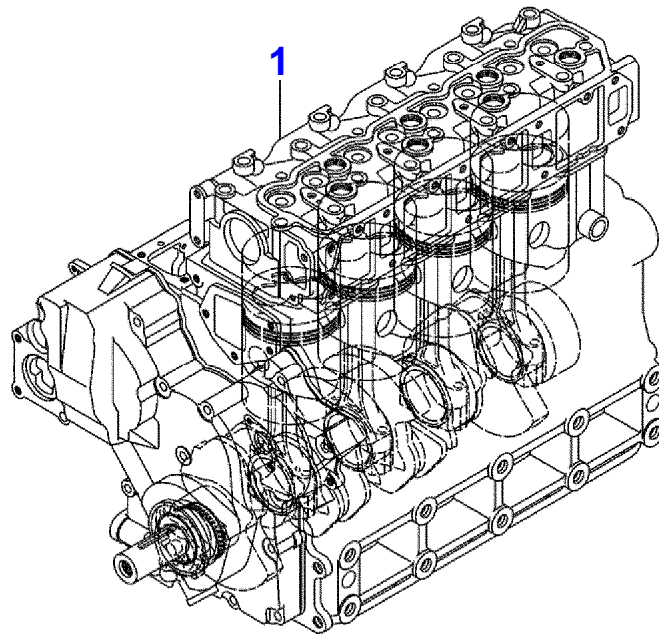
1648 / 1652 / 1655 COMPACT TRACTORS
SHORT BLOCK



MFC10379

Item	Part Number	Qty	Description Comments
			E4DEWB10 1652 DYNAQPS, HYDROSTATIC, AND E4DEWB11 1652 POWERSHUTTLE, SYNCROSHUTTLE
1	6256014M91	1	SHORT BLOCK

1648 / 1652 / 1655 COMPACT TRACTORS
SHORT BLOCK



MFC10439

Item	Part Number	Qty	Description Comments
			E4DEWB12 1655 SYNCROSHUTTLE AND E4DEWB13 1655 POWERSHUTTLE
1	6256015M91	1	SHORT BLOCK

Buy Now



Our support email:

ebooklibonline@outlook.com