

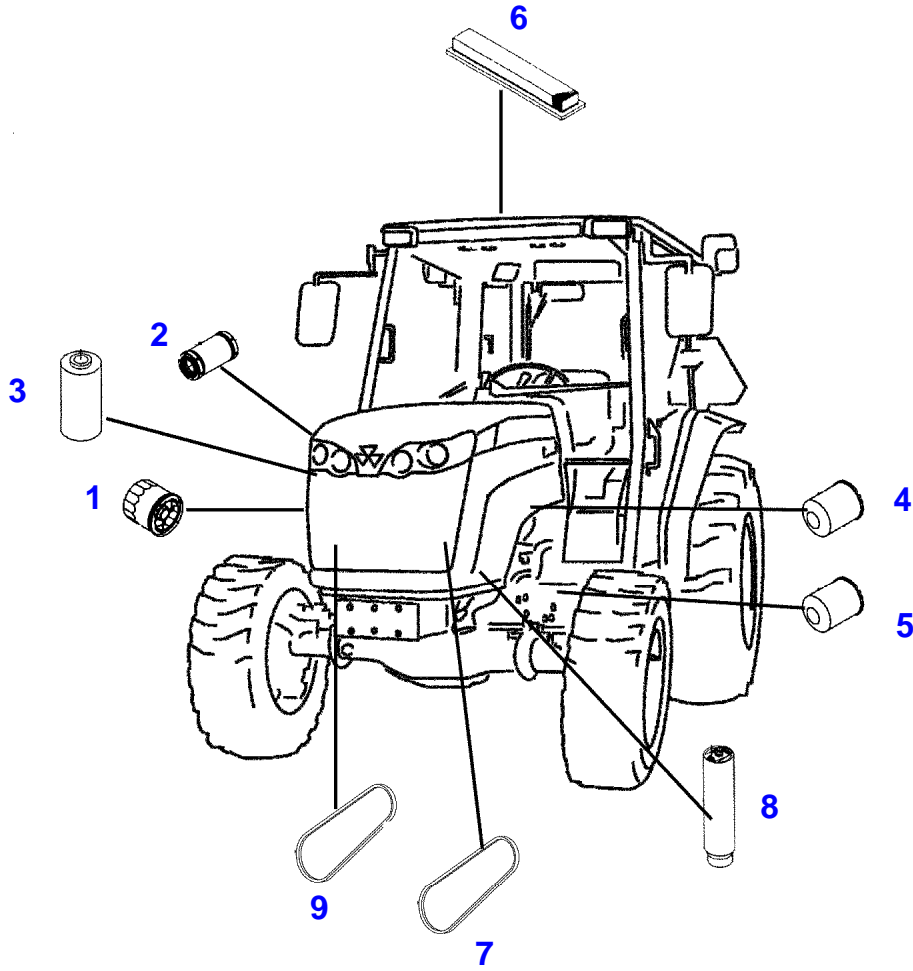
Page Number	Page Title	Page Reference
01-000-TOC	ENGINE, FUEL AND EXHAUST SYSTEM	01-000-TOC
02-000-TOC	STEERING SYSTEM	02-000-TOC
03-000-TOC	DRIVE TRAIN SYSTEM	03-000-TOC
04-000-TOC	BRAKE SYSTEM	04-000-TOC
05-000-TOC	HYDRAULIC SYSTEM	05-000-TOC
06-000-TOC	ELECTRICAL SYSTEM	06-000-TOC
07-000-TOC	CAB	07-000-TOC
08-000-TOC	CHASSIS	08-000-TOC
09-000-TOC	DECALS	09-000-TOC
10-000-TOC	WHEELS	10-000-TOC
11-000-TOC	IMPLEMENT LIFT SYSTEM	11-000-TOC
12-000-TOC	ACCESSORIES	12-000-TOC

Page Number	Page Title	Page Reference
01-0001	FILTER AND BELT GUIDE	244719
01-0002	CYLINDER HEAD E4DEWB14, E4DEWB15, E4DEWB16	T09C26O07B0009
01-0003	CYLINDER HEAD COVER E4DEWB14, E4DEWB15, E4DEWB16	T09C26O07B0010
01-0004	INLET MANIFOLD E4DEWB14, E4DEWB15, E4DEWB16	T09C26O07B0011
01-0005	EXHAUST MANIFOLD E4DEWB14, E4DEWB15, E4DEWB16	T09C26O07B0012
01-0006	CYLINDER BLOCK E4DEWB14, E4DEWB15, E4DEWB16	T09C26O07B0013
01-0007	BEARING - UNDERSIZE E4DEWB14, E4DEWB15, E4DEWB16	T09C26O07B0014
01-0008	OIL PAN	T09C26O07B0015
01-0009	REAR PLATE E4DEWB14, E4DEWB15, E4DEWB16	T09C26O07B0016
01-0010	TIMING GEAR CASE E4DEWB14	T09C26O07B0017
01-0011	TIMING GEAR CASE E4DEWB15, E4DEWB16	T09C26O07B0047
01-0012	HANGER E4DEWB14, E4DEWB15, E4DEWB16	T09C26O07B0018
01-0013	ROCKER SHAFT E4DEWB14, E4DEWB15, E4DEWB16	T09C26O07B0019
01-0014	CAMSHAFT E4DEWB14, E4DEWB15, E4DEWB16	T09C26O07B0020
01-0015	PISTON E4DEWB14, E4DEWB15, E4DEWB16	T09C26O07B0021
01-0016	PISTON - OVERSIZE E4DEWB14, E4DEWB15, E4DEWB16	T09C26O07B0022
01-0017	CRANKSHAFT E4DEWB14, E4DEWB15	T09C26O07B0023
01-0018	CRANKSHAFT E4DEWB16	T09C26O07B0083
01-0019	OIL PUMP E4DEWB14, E4DEWB15, E4DEWB16	T09C26O07B0024
01-0020	WATER PUMP E4DEWB14, E4DEWB15, E4DEWB16	T09C26O07B0025
01-0021	COOLING FAN E4DEWB14, E4DEWB15, E4DEWB16	T09C26O07B0026
01-0022	INJECTION NOZZLE E4DEWB14, E4DEWB15, E4DEWB16	T09C26O07B0027
01-0023	INJECTION NOZZLE - COMPONENTS E4DEWB14, E4DEWB15, E4DEWB16	T09C26O07B0035
01-0024	INJECTION PUMP E4DEWB14, E4DEWB15, E4DEWB16	T09C26O07B0028
01-0025	INJECTION PUMP - COMPONENTS E4DEWB14, E4DEWB15, E4DEWB16	T09C26O07B0036
01-0026	FUEL PRESSURE LINES E4DEWB14, E4DEWB15, E4DEWB16	T09C26O07B0029
01-0027	ADAPTER E4DEWB14, E4DEWB15, E4DEWB16	T09C26O07B0030
01-0028	ALTERNATOR AND STARTER E4DEWB14, E4DEWB15	T09C26O07B0031
01-0029	ALTERNATOR AND STARTER E4DEWB16	T09C26O07B0091
01-0030	ALTERNATOR - COMPONENTS E4DEWB14, E4DEWB15	T09C26O07B0038
01-0031	ALTERNATOR - COMPONENTS E4DEWB16	T09C26O07B0098
01-0032	STARTER - COMPONENTS E4DEWB14, E4DEWBE15, E4DEWBE16	T09C26O07B0037
01-0033	ENGINE ELECTRICAL E4DEWB14	T09C26O07B0032
01-0034	ENGINE ELECTRICAL E4DEWB15, E4DEWB16	T09C26O07B0062
01-0035	GASKET SET ASSEMBLY E4DEWB14, E4DEWBE15, E4DEWBE16	T09C26O07B0033
01-0036	SHORT BLOCK E4DEWB14, E4DEWBE15, E4DEWBE16	T09C26O07B0034
01-0037	RADIATOR - PLATFORM	T09C26O07B0099
01-0038	RADIATOR - PLATFORM	T09C26O07B0100

Page Number	Page Title	Page Reference
01-0039	RADIATOR - CAB	T09C26O07B0101
01-0040	RADIATOR - CAB	T09C26O07B0102
01-0041	MUFFLER	T09C26O07B0103
01-0042	AIR CLEANER	T09C26O07B0104
01-0043	FUEL TANK - PLATFORM	T09C26O07B0105
01-0044	FUEL TANK - PLATFORM	T09C26O07B0106
01-0045	FUEL TANK - CAB	T09C26O07B0107
01-0046	FUEL TANK - CAB	T09C26O07B0108
01-0047	HAND THROTTLE CONTROL	T09C26O07B0109

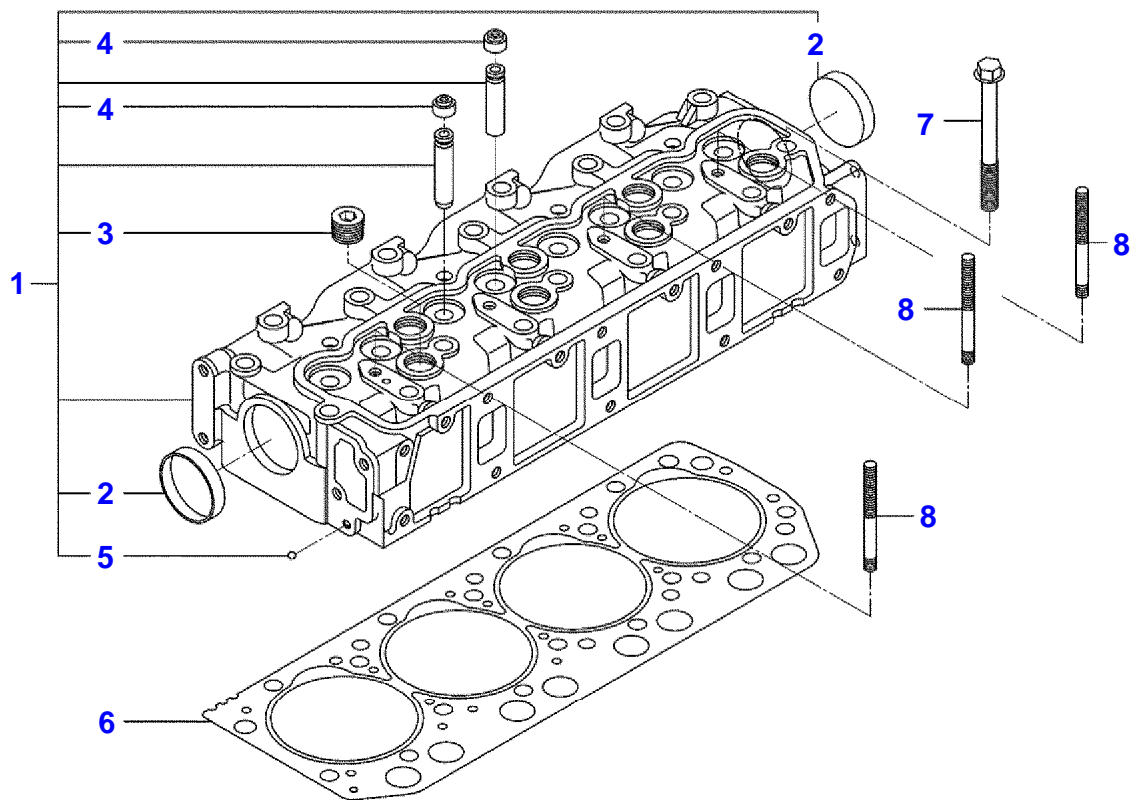
1660 COMPACT TRACTOR
1600FIL

1600FIL



Item	Part Number	Qty	Description Comments	Technical Specification
1	3757038M2	1	ENGINE OIL FILTER ENGINE	
2	6242781M91	1	INNER ELEMENT	
	6242573M92	1	AIR FITR.ELEMENT OUTER	
3	3702815M1	1	FUEL FILTER	
4	6255330M1	1	OIL FILTER HYDRAULIC OIL	
5	3608996M91	1	CARTRIDGE HYDRAULIC OIL	
6	6243528M2	1	AIR FILTER CAB	
7	6243798M1	1	V-BELT AIR CONDITIONER COMPRESSOR	
8	6244522M91	1	AIR CONDITIONING RECEIVER DRIER	
9	6258697M1	1	V BELT ENGINE FAN E4DEWB10, E4DEWB11, E4DEWB12 AND E4DEWB13 1652, 1655	R5 A 43.5

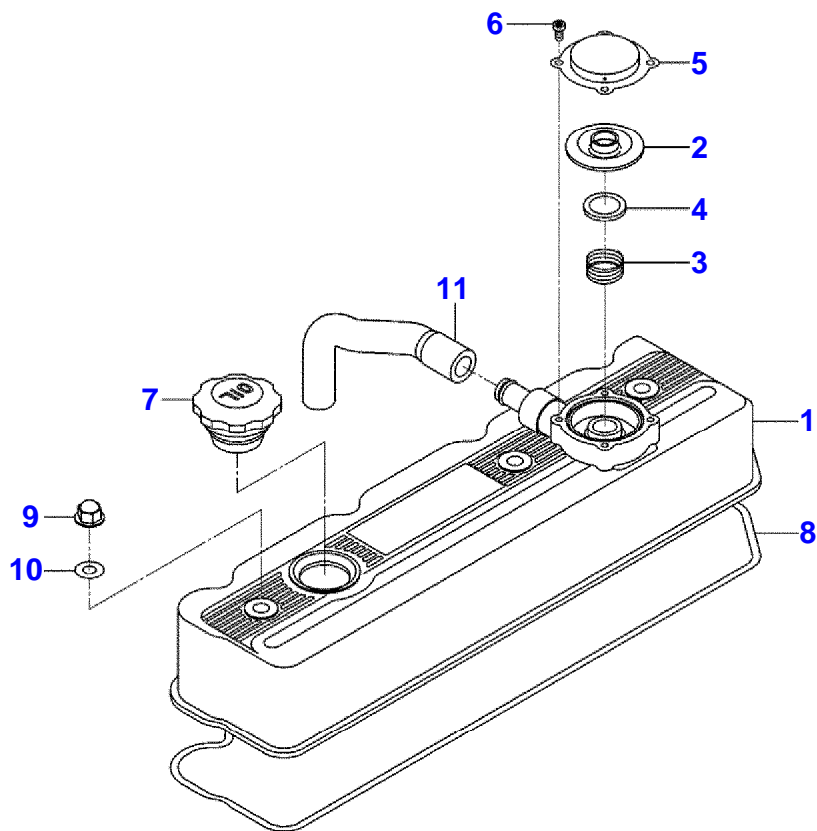
1660 COMPACT TRACTOR
MFC11065



MFC11065

Item	Part Number	Qty	Description Comments	Technical Specification
			E4DEWB14, E4DEWB15, E4DEWB16	
1	6254495M92	1	CYLINDER-BLOCK	
2	3710542M1	2	SEALING CUP	?50 MM
3	3707877M2	7	PIPE PLUG	1/2"
4	3710256M1	8	VALVE OIL SEAL	
5	3711713M1	1	BALL	
6	6243037M3	1	CYLINDER HEAD GASKET	
7	4264534M1	18	HEXAGONAL BOLT	M11-1.5 X 105
8	3607420M1	3	STUD BOLT	M8 X 71 (1.25)

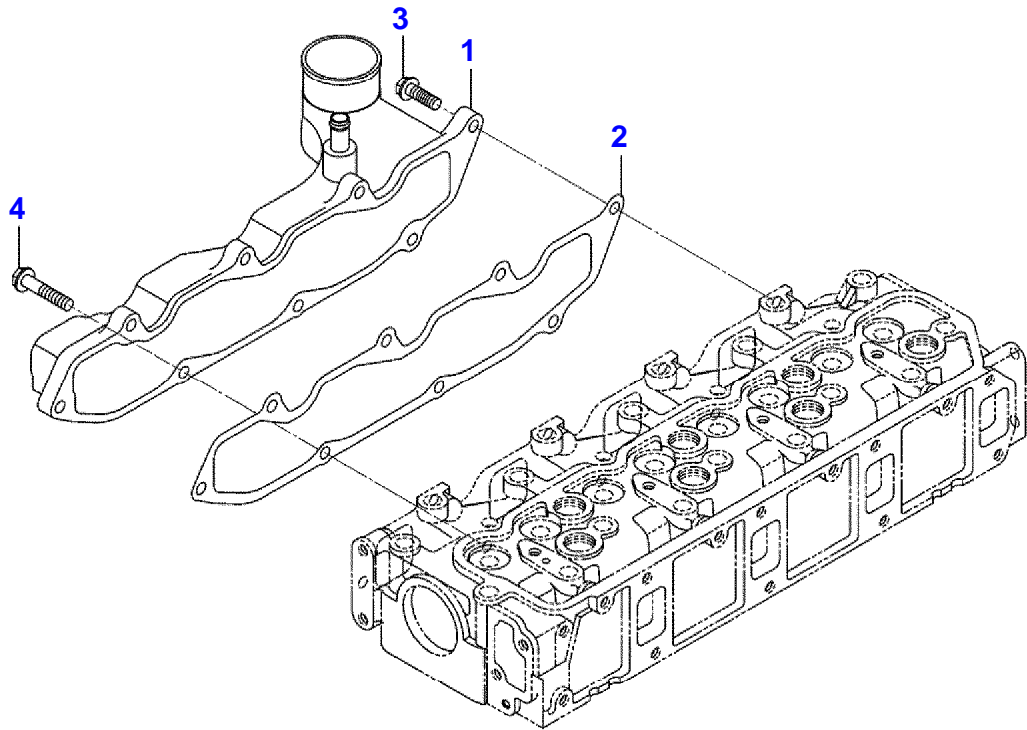
1660 COMPACT TRACTOR
MFC11066



MFC11066

Item	Part Number	Qty	Description Comments	Technical Specification
			E4DEWB14, E4DEWB15, E4DEWB16	
1	4265610M92	1	CYLINDER HEAD COVER	
2	3607106M1	1	RUBBER FLANGE	
3	3607108M1	1	SPRING	
4	3607109M1	1	SPRING SEAT	
5	3607110M1	1	BLOW BY COVER	
6	3710529M1	4	HEXAGONAL HEAD BOLT	4 X 8"
7	3710188M1	1	OIL FILLER CAP	
8	6255009M1	1	CYLINDER HEAD GASKET	
9	3710127M2	3	CAP NUT	M8
10	4267629M1	3	SEAL	
11	4265609M2	1	RUBBER HOSE	

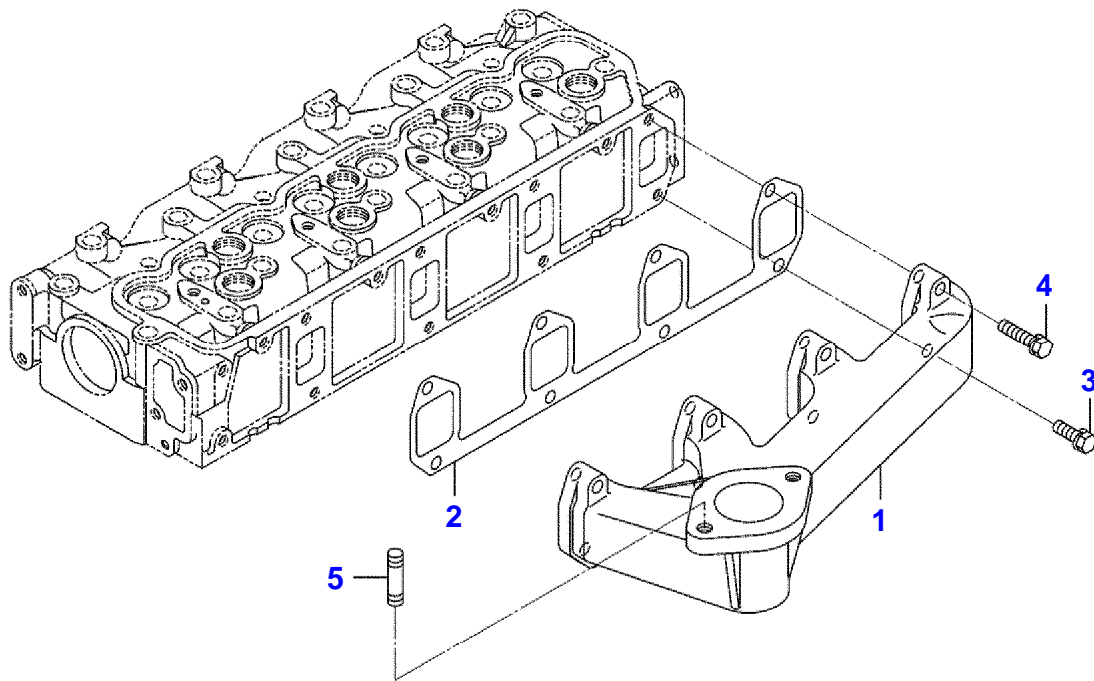
1660 COMPACT TRACTOR
MFC11067



MFC11067

Item	Part Number	Qty	Description Comments
			E4DEWB14, E4DEWB15, E4DEWB16
1	4264651M91	1	INLET MANIFOLD
2	4264653M1	1	INLET MANIFOLD GASKET
3	4267568M1	5	HEXAGON FLANGE BOLT
4	4267570M1	3	HEXAGON FLANGE BOLT

1660 COMPACT TRACTOR
MFC11068



MFC11068

Item	Part Number	Qty	Description Comments	Technical Specification
			E4DEWB14, E4DEWB15, E4DEWB16	
1	6243085M1	1	EXHAUST MANIFOLD	
2	4264655M1	1	EXHAUST MANIFOLD GASKET	
3	3702273M1	4	HEXAGONAL HEAD BOLT	
4	3607227M1	4	HEXAGONAL BOLT	M8 X 35
5	3756141M1	2	STUD BOLT	M10 X 25

Buy Now



Our support email:

ebooklibonline@outlook.com