

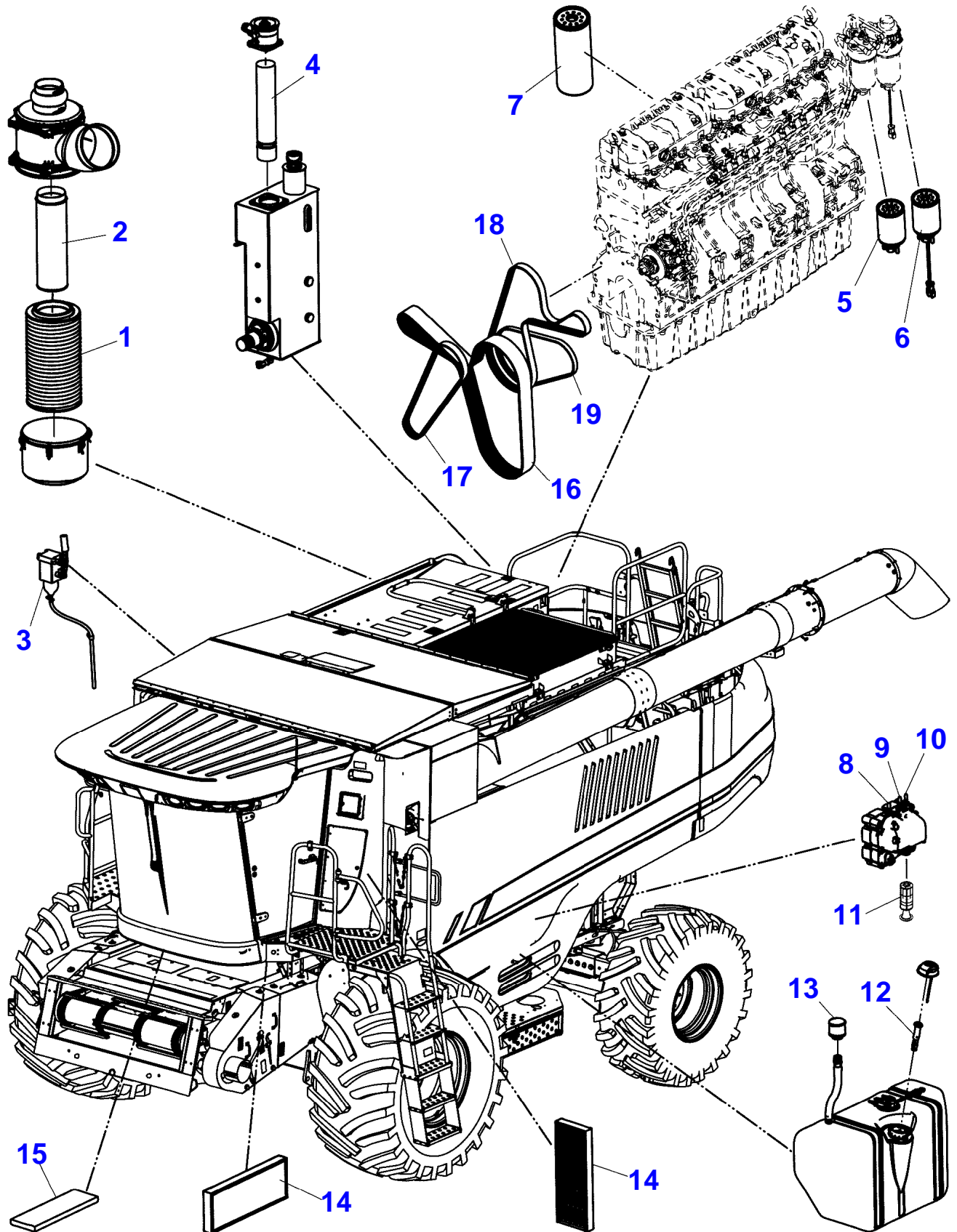
| <b>Page Number</b> | <b>Page Title</b>                   | <b>Page Reference</b> |
|--------------------|-------------------------------------|-----------------------|
| 01-000-TOC         | ENGINE, FUEL AND EXHAUST SYSTEM     | 01-000-TOC            |
| 02-000-TOC         | DRIVE SYSTEM                        | 02-000-TOC            |
| 03-000-TOC         | AXLES                               | 03-000-TOC            |
| 04-000-TOC         | FRAME AND SUSPENSION                | 04-000-TOC            |
| 05-000-TOC         | STEERING SYSTEM                     | 05-000-TOC            |
| 06-000-TOC         | DRIVE TRAIN SYSTEM                  | 06-000-TOC            |
| 07-000-TOC         | BRAKE SYSTEM                        | 07-000-TOC            |
| 08-000-TOC         | HYDRAULIC SYSTEM                    | 08-000-TOC            |
| 09-000-TOC         | ELECTRICAL SYSTEM                   | 09-000-TOC            |
| 10-000-TOC         | CAB                                 | 10-000-TOC            |
| 11-000-TOC         | AIR CONDITIONING AND HEATING SYSTEM | 11-000-TOC            |
| 12-000-TOC         | CHASSIS                             | 12-000-TOC            |
| 13-000-TOC         | DECALS                              | 13-000-TOC            |
| 14-000-TOC         | WHEELS                              | 14-000-TOC            |
| 15-000-TOC         | FEEDING SYSTEM                      | 15-000-TOC            |
| 16-000-TOC         | THRESHING SYSTEM                    | 16-000-TOC            |
| 17-000-TOC         | CLEANING SYSTEM                     | 17-000-TOC            |
| 18-000-TOC         | GRAIN BIN AND ELEVATOR SYSTEM       | 18-000-TOC            |
| 19-000-TOC         | DISCHARGE SYSTEM                    | 19-000-TOC            |
| 20-000-TOC         | PRECISION FARMING SYSTEMS           | 20-000-TOC            |
| 21-000-TOC         | ATTACHMENTS                         | 21-000-TOC            |

## ENGINE, FUEL AND EXHAUST SYSTEM

Page01-000-TOC

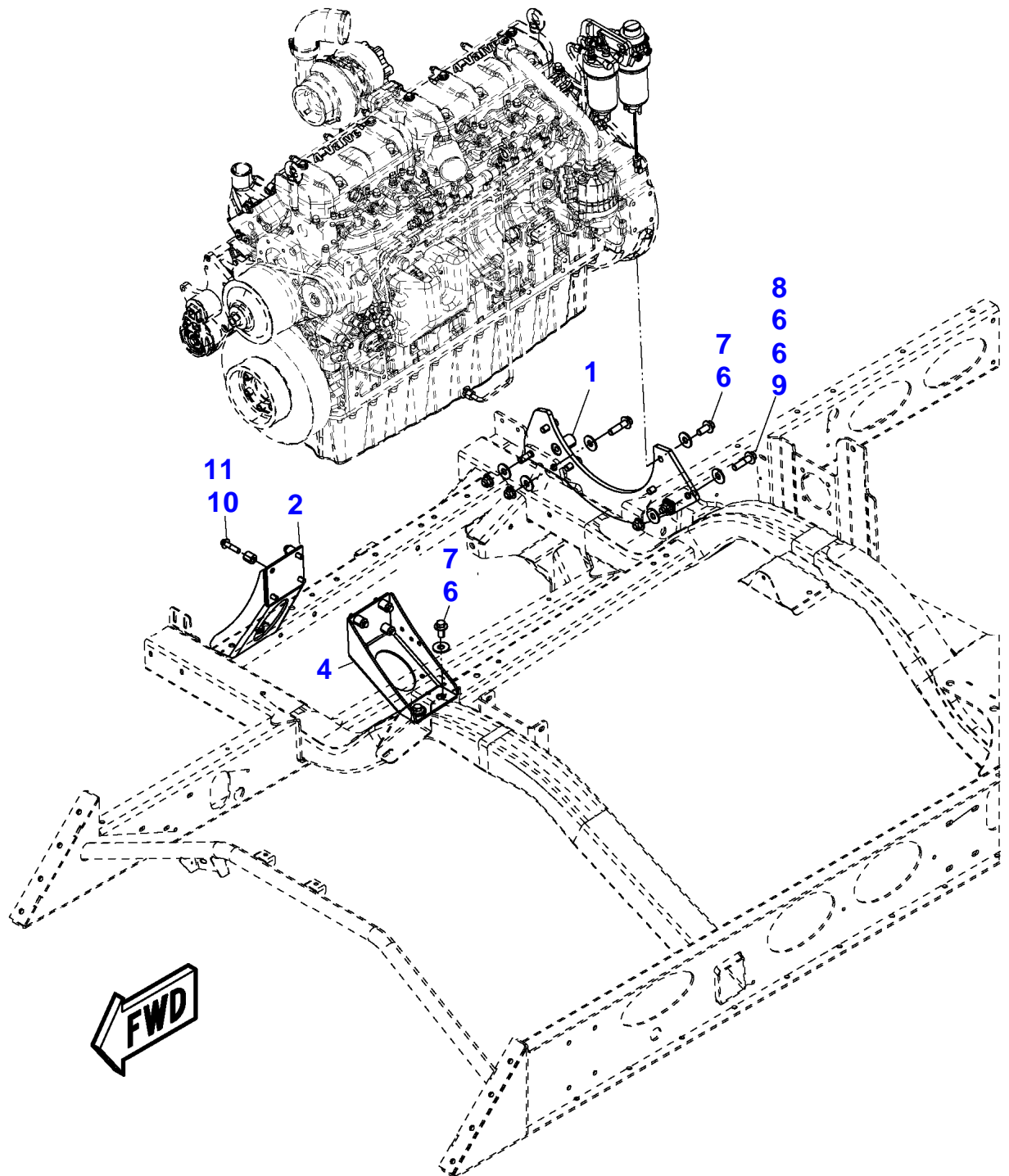
| Page Number | Page Title  | Page Reference |
|-------------|---|----------------|
| 01-0001     | FILTER AND BELT GUIDE                             | 81716          |
| 01-0002     | ENGINE AND MOUNTING                               | 55893          |
| 01-0003     | CYLINDER BLOCK                                    | 55890          |
| 01-0004     | FRONT GEAR HOUSING                                | 55913          |
| 01-0005     | FLYWHEEL  | 55909          |
| 01-0006     | CRANKSHAFT  | 55905          |
| 01-0007     | CAMSHAFT AND VALVE                                | 55899          |
| 01-0008     | CYLINDER HEAD                                     | 55887          |
| 01-0009     | INTAKE AND EXHAUST MANIFOLD                       | 55892          |
| 01-0010     | TURBOCHARGER                                      | 55894          |
| 01-0011     | OIL SUMP AND PUMP                                 | 55897          |
| 01-0012     | OIL COOLER AND FILTER                             | T05L08J26C0011 |
| 01-0013     | CRANKCASE VENTILATION                             | 55910          |
| 01-0014     | COOLANT PUMP                                      | 55916          |
| 01-0015     | FUEL INJECTION SYSTEM                             | 293308         |
| 01-0016     | FUEL LINES AND FILTERS                            | 55888          |
| 01-0017     | ENGINE ELECTRICAL                                 | 55882          |
| 01-0018     | DRIVE DEVICE                                      | 55908          |
| 01-0019     | SCR PARTS   | 71438805-01-15 |
| 01-0020     | ENGINE OVERHAUL COMPONENTS                        | 55900          |
| 01-0021     | FUEL FILTER - CHASSIS                             | 55886          |
| 01-0022     | AIR INTAKE  | 55906          |
| 01-0023     | AIR FILTER ASSEMBLY                               | 55912          |
| 01-0024     | EXHAUST GROUP<br>USED ON TIER 4 ENGINE            | 55881          |
| 01-0025     | EXHAUST GROUP<br>USED ON TIER 2 ENGINE            | 55898          |
| 01-0026     | COOLING SYSTEM                                    | 55903          |
| 01-0027     | COOLING SYSTEM - SHROUD ASSEMBLY-FAN              | 55889          |
| 01-0028     | COOLING SYSTEM - RADIATOR                         | 55915          |
| 01-0029     | COOLANT AND AIR TUBES                             | 55896          |
| 01-0030     | ASPIRATOR FAN                                     | 55883          |
| 01-0031     | SHEAVE AND BEARING - ASPIRATOR FAN                | 55914          |
| 01-0032     | FAN ASSEMBLY - ASPIRATION FAN                     | 55895          |
| 01-0033     | ALTERNATOR MOUNTING - A/C COMPRESSOR INSTALLATION | 55911          |
| 01-0034     | ALTERNATOR<br>160A                                | 55884          |
| 01-0035     | FUEL LINES AND FILTER<br>SISU 9.8                 | 55904          |
| 01-0036     | EMISSIONS GROUP<br>TIER 4 - 9.8L                  | 55891          |
| 01-0037     | UREA PUMP ASSEMBLY                                | 55901          |
| 01-0038     | EMISSIONS-TANK                                    | 55885          |
| 01-0039     | DECALS - FUEL                                     | 55902          |
| 01-0040     | PTO   | 287778         |

FILTERS AND BELTS

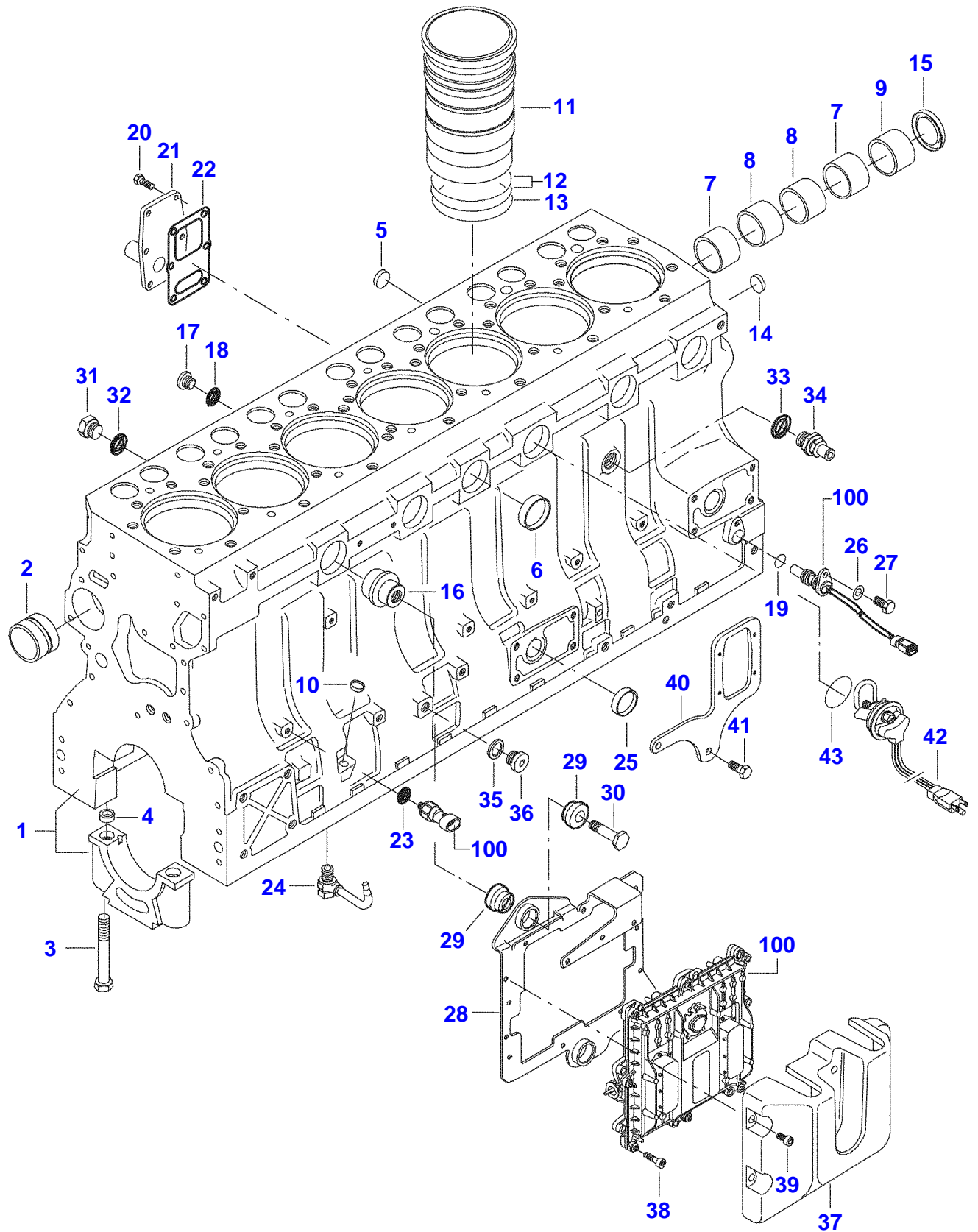


| Item | Part Number | Qty | Description<br>Comments                                      | Technical Specification |
|------|-------------|-----|--|-------------------------|
|      | 71476042    |     | SEAT SWITCH  |                         |
| 1    | 71438533    | 1   | AIR FILTER ELEMENT<br>PRIMARY AIR FILTER, AIR INTAKE ENGINE  |                         |
| 2    | 71438534    | 1   | AIR FILTER ELEMENT<br>SECONDARY FILTER, INNER, INTAKE ENGINE |                         |
| 3    | 3907943M1   | 1   | FUEL ELEMENT   |                         |
| 4    | 71444190    | 1   | HYDRAULIC FILTER ELEMENT<br>HYDRAULIC FILTER, PRIMARY        |                         |
| 5    | 71440172    | 1   | MAIN FUEL FILTER   |                         |
| 6    | 71440173    | 1   | PRE FUEL FILTER  |                         |
| 7    | 71438575    | 1   | OIL FILTER   |                         |
| 8    | V837079428  | 1   | DEF CONNECTOR<br>INLET                                       |                         |
| 9    | V837079430  | 1   | DEF CONNECTOR<br>BACKFLOW                                    |                         |
| 10   | V837079429  | 1   | DEF CONNECTOR<br>OUTLET                                      |                         |
| 11   | 71451710    | 1   | MODULE FILTER<br>DEF MODULE FILTER                           |                         |
| 12   | 71443169    | 1   | DEF FILLER NECK FILTER                                       |                         |
| 13   | 71459954    | 1   | BREATHER FILTER<br>BREATHER FILTER, DEF TANK                 |                         |
| 14   | 71393893    | 2   | AIR FILTER ELEMENT<br>PRIMARY AIR FILTER, CAB                |                         |
| 15   | 71391153    | 1   | AIR FILTER ELEMENT<br>AIR FILTER, HVAC                       |                         |
| 16   | 71448150    | 1   | BELT<br>ALTERNATOR BELT                                      |                         |
| 17   | 71438552    | 1   | SERPENTINE BELT<br>ASPIRATOR FAN                             | 1038.6MM                |
| 18   | 71478776    | 1   | V-BELT<br>AIR CONDITIONER COMPRESSOR                         | 6 RIB, 1623.5MM         |
| 19   | V685040894  | 1   | ALTERNATOR BELT<br>MULTI-RIBBED BELT<br>COOLANT PUMP         |                         |

C0859021-02-02



| Item | Part Number | Qty | Description<br>Comments                | Technical Specification     |
|------|-------------|-----|--|-----------------------------|
|      | V865476529X | X   | SHORT BLOCK ENGINE<br>TIER 4 EMISSIONS |                             |
|      | V865476753X | X   | SHORT BLOCK ENGINE<br>TIER 2 EMISSIONS | 98 TI                       |
| 1    | 71443143    | 1   | ENGINE SUPPORT                         |                             |
| 2    | 71433647    | 1   | ENGINE MOUNT                           |                             |
| 4    | 71435832    | 1   | ENGINE SUPPORT                         |                             |
| 6    | 700711165   | 16  | FLAT WASHER                            | 5/8"                        |
| 7    | 3009235X1   | 8   | HEXAGON FLANGE BOLT                    | M16 X 35 ISO 10.9 ZN        |
| 8    | 3009240X1   | 4   | HEXAGON FLANGE BOLT                    | M16 X 60 (2.0) ISO 10.9 ZN  |
| 9    | 5000031X1   | 4   | HEX FLANGE LOCKNUT                     | M16 (2.0) ISO 8             |
| 10   | 71322759    | 8   | SPACER                                 | .531" ID                    |
| 11   | 3009224X1   | 8   | HEXAGON FLANGE BOLT                    | M12 X 50 (1.75) ISO 10.9 ZN |

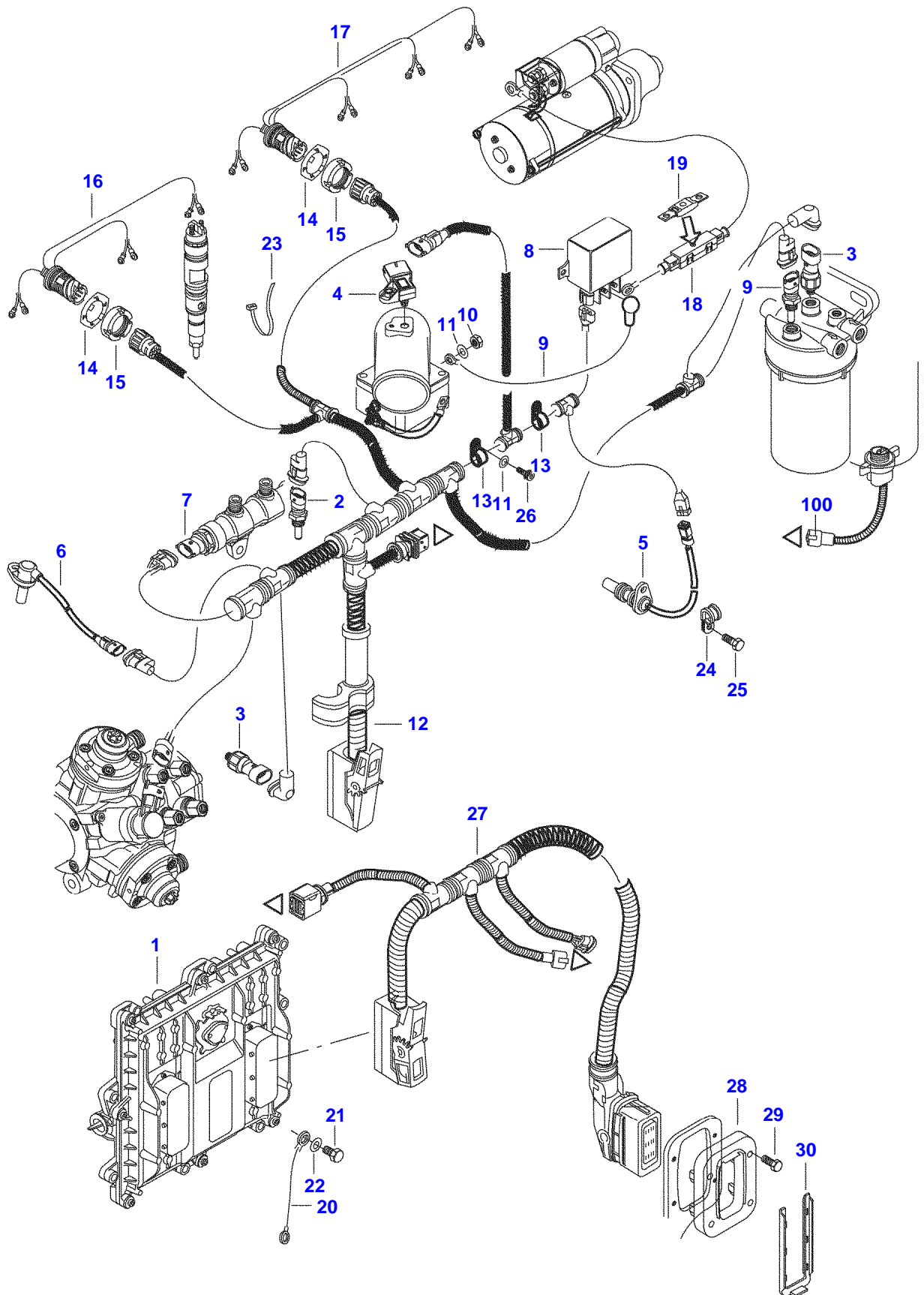


SIS0155

## CYLINDER BLOCK

| Item | Part Number | Qty | Description<br>Comments        | Technical Specification |
|------|-------------|-----|--------------------------------|-------------------------|
|      | V865479545V |     | LONG BLOCK ENGINE              | 98 ATI                  |
|      | V865479544X |     | SHORT BLOCK ENGINE             | 98 ATI                  |
| 1    | V836867842  | 1   | CYLINDER BLOCK                 |                         |
| 2    | V836866069  | 1   | CAMSHAFT BEARING BUSH<br>[A]   |                         |
| 3    | V835329030  | 14  | HEX CAP SCREW<br>[A]           |                         |
| 4    | V836214478  | 24  | GUIDE SLEEVE<br>[A]            |                         |
| 5    | V640016018  | 1   | PLUG<br>[A]                    |                         |
| 6    | V640016040  | 5   | PLUG<br>[A]                    |                         |
| 7    | V836852460  | 2   | CAMSHAFT BEARING BUSH<br>[A]   |                         |
| 8    | V837084307  | 1   | CAMSHAFT BEARING BUSH<br>[A]   |                         |
| 9    | V836852461  | 1   | CAMSHAFT BEARING BUSH<br>[A]   |                         |
| 10   | V640016012  | 1   | PLUG                           |                         |
| 11   | V836867048  | 6   | LINER                          |                         |
| 12   | V836855446  | 12  | CYLINDER LINER O-RING          |                         |
| 13   | V836855447  | 6   | CYLINDER LINER O-RING          |                         |
| 14   | V640016016  | 4   | PLUG                           |                         |
| 15   | V836852744  | 1   | PLUG                           |                         |
| 16   | V837069057  | 1   | PLUG                           |                         |
| 17   | V640325110  | 5   | PLUG                           |                         |
| 18   | V615871014  | 5   | SEALING WASHER                 |                         |
| 19   | V614601524  | 1   | O-RING                         |                         |
| 20   | V528801382  | 5   | HEX CAP SCREW                  |                         |
| 21   | V837074414  | 1   | COVER                          |                         |
| 22   | ACW5174780  | 1   | GASKET                         |                         |
| 23   | V615871016  | 1   | SEALING WASHER                 |                         |
| 24   | V837074224  | 6   | PISTON COOLING JET             |                         |
| 25   | V640016035  | 1   | PLUG                           |                         |
| 26   | V500050842  | 1   | WASHER                         |                         |
| 27   | V528801362  | 5   | HEX CAP SCREW                  |                         |
| 28   | V837073836  | 1   | ECU BRACKET                    |                         |
| 29   | V837074327  | 6   | RUBBER BUSH                    |                         |
| 30   | V837069056  | 3   | SCREW                          |                         |
| 31   | V836119079  | 1   | PLUG                           |                         |
| 32   | V615881620  | 1   | SEALING WASHER                 |                         |
| 33   | V615881824  | 1   | SEALING WASHER                 |                         |
| 34   | V836664377  | 1   | COCK                           |                         |
| 35   | V615881420  | 1   | SEALING WASHER                 |                         |
| 36   | V640325014  | 1   | PLUG                           |                         |
| 37   | V837073855  | 1   | COVER                          |                         |
| 38   | V581804222  | 8   | HEX SOCKET SCREW               |                         |
| 39   | V581804182  | 5   | HEX SOCKET SCREW               |                         |
| 40   | V837074235  | 1   | BRACKET                        |                         |
| 41   | V528801382  | 2   | HEX CAP SCREW                  |                         |
| 42   | V836840934  | 1   | ENGINE BLOCK HEATER            |                         |
| 43   | V836840998  | 1   | O-RING<br>[B]                  |                         |
| 100  |             | X   |                                |                         |
|      |             |     | SEE PAGE 01-0017               |                         |
|      |             |     | <b>[A] INCLUDED IN ITEM 1</b>  |                         |
|      |             |     | <b>[B] INCLUDED IN ITEM 42</b> |                         |



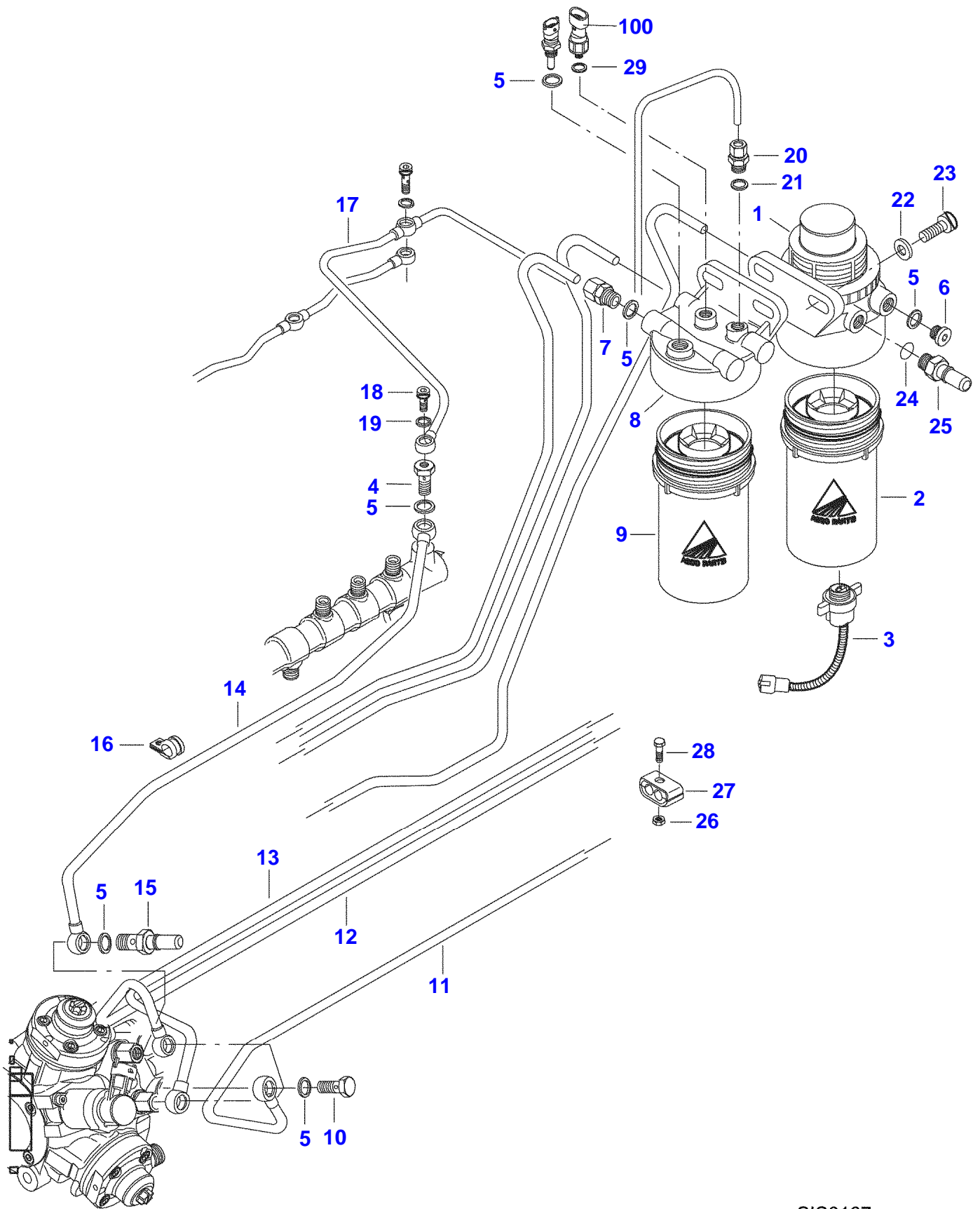


SIS0168

| Item | Part Number | Qty | Description<br>Comments |
|------|-------------|-----|-------------------------|
| 1    | V837073790  | 1   | ENGINE CONTROL UNIT     |
| 2    | V836667732  | 2   | TEMPERATURE SENSOR      |
| 3    | V837070201  | 2   | PRESSURE SENSOR         |
| 4    | V837073934  | 1   | BOOST PRESSURE SENSOR   |
| 5    | V837069150  | 1   | CRANKSHAFT SPEED SENSOR |
| 6    | V837070189  | 1   | SPEED SENSOR            |
| 7    | V837079599  | 1   | FUEL PRESSURE SENSOR    |
| 8    | V837069047  | 1   | SOLENOID                |
| 9    | V837070055  | 1   | WIRE                    |
| 10   | V504600602  | 2   | NUT                     |
| 11   | V500050642  | 4   | WASHER                  |
| 12   | V837074065  | 1   | ENGINE WIRE HARNESS     |
| 13   | V837073181  | 2   | RETAINER CLAMP<br>[A]   |
| 14   | V837073922  | 2   | LOCKING PLATE           |
| 15   | V837073921  | 2   | LOCKING RING            |
| 16   | V837084141  | 1   | ENGINE WIRE HARNESS     |
| 17   | V837073917  | 1   | ENGINE WIRE HARNESS     |
| 18   | V837070054  | 1   | WIRE                    |
| 19   | V836864541  | 1   | FUSE 250A<br>[B]        |
| 20   | V837070292  | 1   | GROUND WIRE             |
| 21   | V528801360  | 1   | HEX CAP SCREW           |
| 22   | V500150842  | 1   | WASHER                  |
| 23   | V651754720  | 10  | CABLE TIE               |
| 24   | V602060610  | 2   | RETAINER CLAMP          |
| 25   | V528801382  | 1   | HEX CAP SCREW           |
| 26   | V581804182  | 2   | HEX SOCKET SCREW        |
| 27   | V837074046  | 1   | ENGINE WIRE HARNESS     |
| 28   | V837074049  | 1   | COLLAR                  |
| 29   | V528800752  | 4   | HEX CAP SCREW           |
| 30   | V837074130  | 1   | HOLDER                  |
| 100  |             | X   |                         |

SEE PAGE 01-0016

**[A] INCLUDED IN ITEM 12****[B] INCLUDED IN ITEM 18**



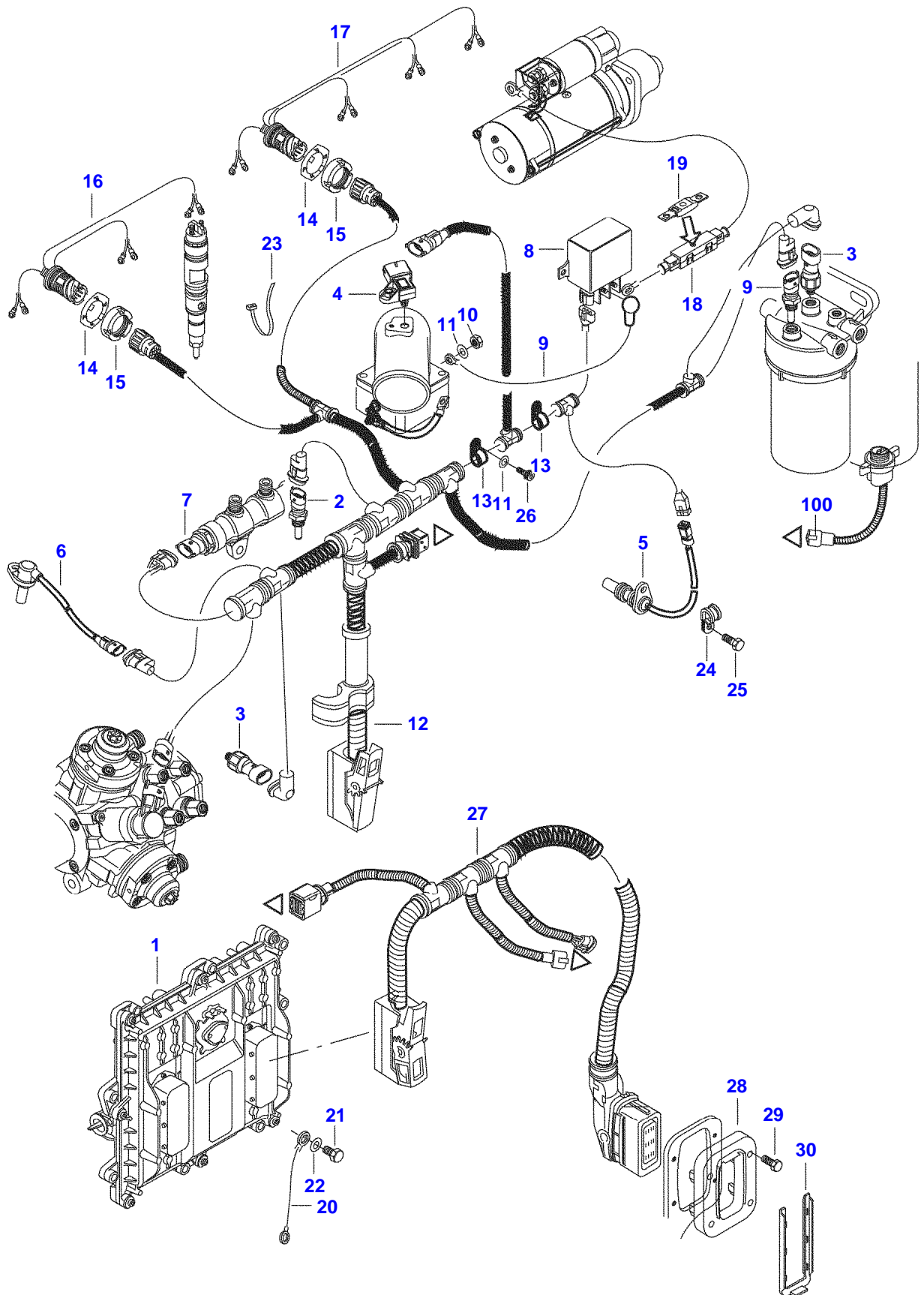
SIS0167

## FUEL LINES AND FILTERS

| Item | Part Number | Qty | Description<br>Comments        |
|------|-------------|-----|--------------------------------|
| 1    | V837091152  | 1   | CONVERSION KIT                 |
| 2    | V837091129  | 1   | FUEL FILTER KIT<br>[A]         |
| 3    | V837074054  | 1   | FUEL FILTER WATER ALARM<br>[A] |
|      | V837091271  | 1   | SEAL                           |
| 4    | V836007420  | 1   | BANJO BOLT                     |
| 5    | V615881420  | 15  | SEALING WASHER                 |
| 6    | V640325014  | 2   | PLUG                           |
| 7    | V641086010  | 3   | STRAIGHT FITTING               |
| 8    | V837086099  | 1   | MAIN FUEL FILTER               |
| 9    | V837091129  | 1   | FUEL FILTER KIT<br>[B]         |
| 10   | V640435010  | 3   | BANJO BOLT                     |
| 11   | V837074164  | 1   | FUEL PIPE                      |
| 12   | V837074166  | 1   | FUEL PIPE                      |
| 13   | V837074168  | 1   | FUEL PIPE                      |
| 14   | V837074023  | 1   | FUEL PIPE                      |
| 15   | V837074191  | 1   | QUICK COUPLER                  |
| 16   | V602060610  | 1   | RETAINER CLAMP                 |
| 17   | V837074173  | 1   | FUEL PIPE                      |
| 18   | V837073117  | 1   | BANJO BOLT                     |
| 19   | V615870812  | 2   | SEALING WASHER                 |
| 20   | V837074146  | 1   | STRAIGHT FITTING               |
| 21   | V615871014  | 1   | SEALING WASHER                 |
| 22   | V500151050  | 4   | WASHER                         |
| 23   | V581805020  | 4   | HEX SOCKET SCREW               |
| 24   | V614601125  | 1   | O-RING                         |
| 25   | V837074076  | 1   | QUICK COUPLER                  |
| 26   | V510600602  | 6   | NUT                            |
| 27   | V602098110  | 6   | RETAINER CLAMP                 |
| 28   | V528801102  | 6   | HEX CAP SCREW                  |
| 29   | V615871016  | 1   | SEALING WASHER                 |
| 100  |             | X   |                                |

SEE PAGE 01-0017

**[A] INCLUDED IN ITEM 1****[B] INCLUDED IN ITEM 8**



SIS0168

**Buy Now**



Our support email:

[ebooklibonline@outlook.com](mailto:ebooklibonline@outlook.com)