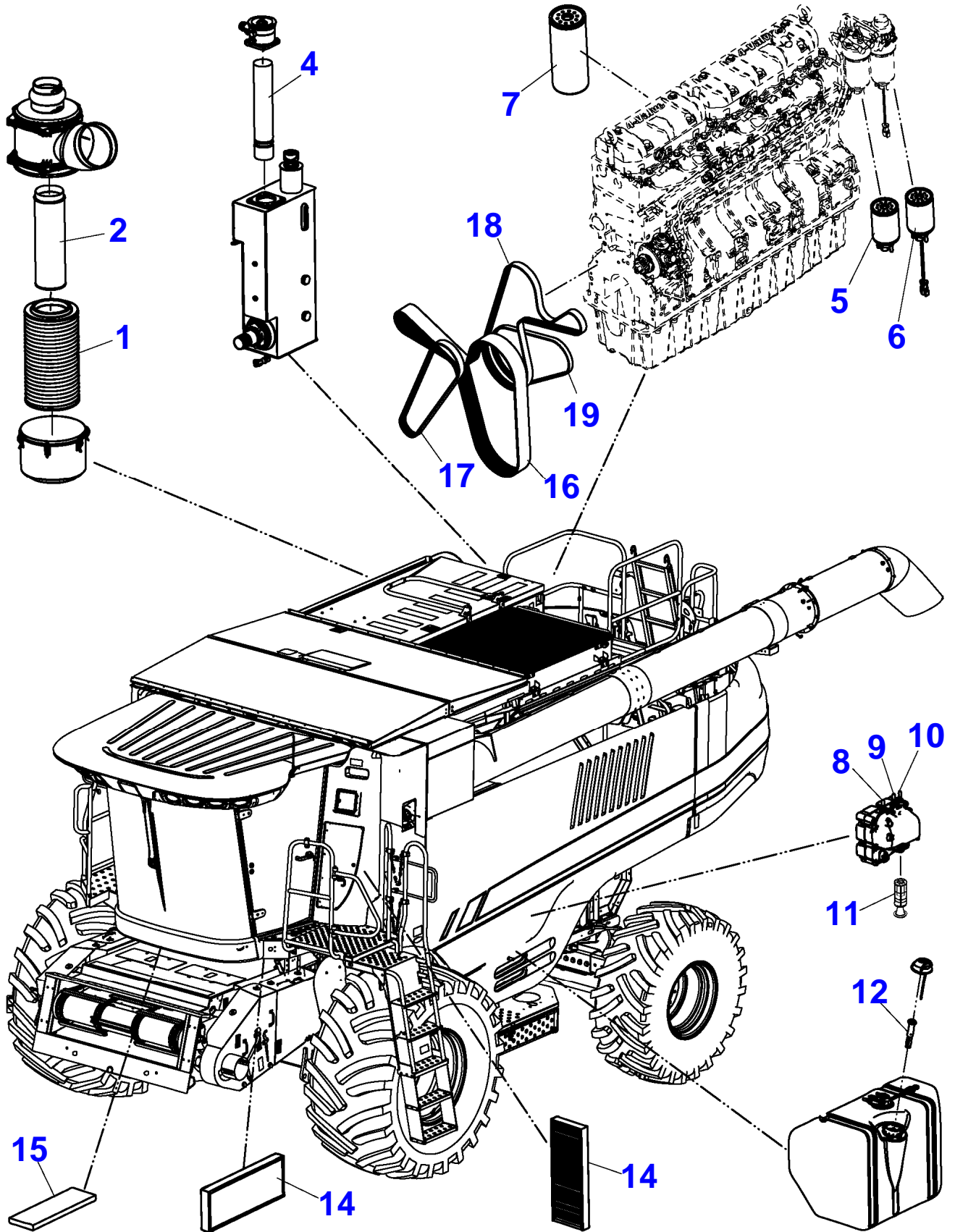


Page Number	Page Title	Page Reference
01-000-TOC	ENGINE, FUEL AND EXHAUST SYSTEM	01-000-TOC
02-000-TOC	DRIVE SYSTEM	02-000-TOC
03-000-TOC	AXLES	03-000-TOC
04-000-TOC	FRAME AND SUSPENSION	04-000-TOC
05-000-TOC	STEERING SYSTEM	05-000-TOC
06-000-TOC	DRIVE TRAIN SYSTEM	06-000-TOC
07-000-TOC	BRAKE SYSTEM	07-000-TOC
08-000-TOC	HYDRAULIC SYSTEM	08-000-TOC
09-000-TOC	ELECTRICAL SYSTEM	09-000-TOC
10-000-TOC	CAB	10-000-TOC
11-000-TOC	AIR CONDITIONING AND HEATING SYSTEM	11-000-TOC
12-000-TOC	CHASSIS	12-000-TOC
13-000-TOC	DECALS	13-000-TOC
14-000-TOC	WHEELS	14-000-TOC
15-000-TOC	FEEDING SYSTEM	15-000-TOC
16-000-TOC	THRESHING SYSTEM	16-000-TOC
17-000-TOC	CLEANING SYSTEM	17-000-TOC
18-000-TOC	GRAIN BIN AND ELEVATOR SYSTEM	18-000-TOC
19-000-TOC	DISCHARGE SYSTEM	19-000-TOC
20-000-TOC	PRECISION FARMING SYSTEMS	20-000-TOC
21-000-TOC	ATTACHMENTS	21-000-TOC
22-000-TOC	ACCESSORIES	22-000-TOC

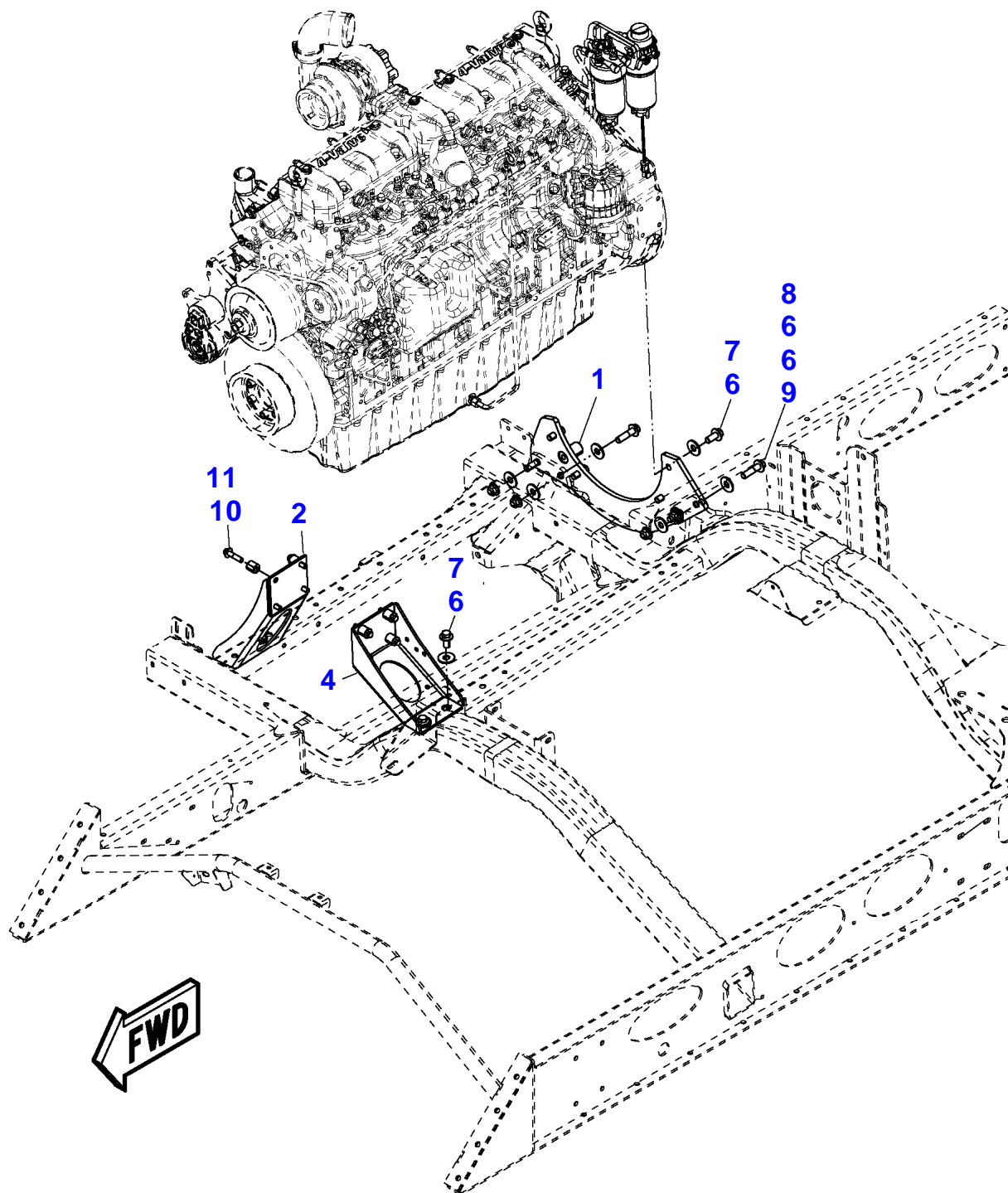
Page Number	Page Title	Page Reference
01-0001	FILTER AND BELT GUIDE	1179888
01-0002	ENGINE AND MOUNTING	1197763
01-0003	AIR INTAKE	863838
01-0004	EXHAUST GROUP	880750
01-0005	EXHAUST INSTALLATION, LESS REGULATED COUNTRIES	1280885
01-0006	COOLANT AND AIR TUBES	897379
01-0007	ALTERNATOR - AIR COMPRESSOR	880708
01-0008	COOLING MODULE	1027492
01-0009	FUEL LINES AND FILTER SISU 9.8	863851
01-0010	EMISSIONS GROUP - 9.8 LITER	880859
01-0011	EMISSIONS TANK	881065
01-0012	DECALS - FUEL	880903
01-0013	PTO	863840
01-0014	ENGINE ASSEMBLIES	1859000
01-0015	CYLINDER BLOCK - HYDRAULIC LASH ADJUSTMENT	1859001
01-0016	TIMING GEARS AND HOUSING	1858413
01-0017	FLYWHEEL AND HOUSING	1704544
01-0018	CRANKSHAFT AND PISTONS	1858414
01-0019	CAMSHAFT AND VALVE MECHANISM - HYDRAULIC LASH ADJUSTMENT	1859002
01-0020	CYLINDER HEAD	1859003
01-0021	INTAKE MANIFOLD	1704546
01-0022	EXHAUST MANIFOLD	1858415
01-0023	HIGH PRESSURE TURBOCHARGER	1704594
01-0024	LOW PRESSURE TURBOCHARGER AND ICAC	1704548
01-0025	EXHAUST GAS RECIRCULATION (EGR) - UP TO ENGINE S/N A74702	1862920
01-0026	EXHAUST GAS RECIRCULATION (EGR) - FROM ENGINE S/N A74703	1862921
01-0027	OIL PUMP AND SUMP	1858957
01-0028	OIL COOLER AND FILTER	1704596
01-0029	CLOSED CRANKCASE VENTILATION (CCV)	1704550
01-0030	COOLANT PIPING	1704551
01-0031	COOLANT PUMP AND THERMOSTAT	1704598
01-0032	FUEL INJECTION SYSTEM	1858960
01-0033	FUEL FILTERS - UP TO ENGINE S/N A77999	1862918
01-0034	FUEL FILTERS - FROM ENGINE S/N B50000	1862919
01-0035	ELECTRONIC ENGINE MANAGEMENT	1704614
01-0036	BELT TENSIONER	1704554
01-0037	EXHAUST AFTERTREATMENT	1704555
01-0038	ENGINE OVERHAUL PARTS	1858970
01-0039	SPECIAL OVERHAUL PARTS	1704557
01-0040	ENGINE ASSEMBLIES - ENGINE SERIAL NUMBER RANGE B52707-B65366	1716780
01-0041	CYLINDER BLOCK	1704376
01-0042	TIMING GEARS AND HOUSING	1704377
01-0043	CRANKSHAFT AND PISTONS	1704379
01-0044	CAMSHAFT AND VALVE MECHANISM	1704412
01-0045	CYLINDER HEAD	1704381
01-0046	EXHAUST MANIFOLD	1704408
01-0047	HIGH PRESSURE TURBOCHARGER	1704383
01-0048	EXHAUST GAS RECIRCULATION (EGR)	1704394
01-0049	OIL PUMP AND SUMP	1704410
01-0050	OIL COOLER AND FILTER	1704385
01-0051	COOLANT PUMP AND THERMOSTAT	1704409
01-0052	FUEL INJECTION SYSTEM	1704388
01-0053	FUEL FILTERS	1704389
01-0054	ELECTRONIC ENGINE MANAGEMENT	1704411
01-0055	ENGINE ASSEMBLIES - ENGINE SERIAL NUMBER RANGE A55823-B50550	1716781
01-0056	CAMSHAFT AND VALVE MECHANISM	1704558

FILTERS AND BELTS



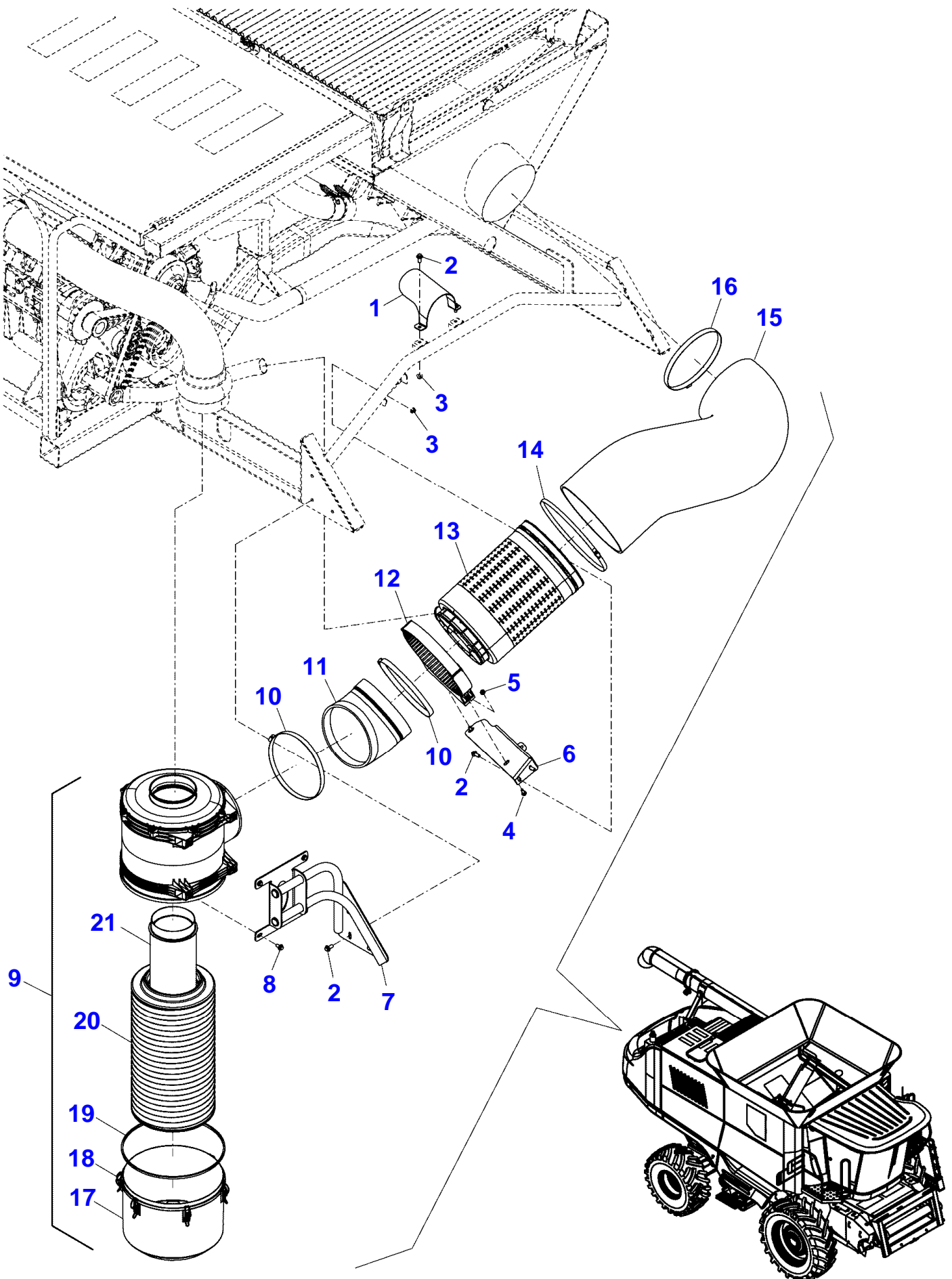
Item	Part Number	Qty	Description Comments	Technical Specification
1	71438533	1	AIR FILTER ELEMENT PRIMARY AIR FILTER, AIR INTAKE ENGINE	
2	71438534	1	AIR FILTER ELEMENT SECONDARY FILTER, INNER, INTAKE ENGINE	
4	71444190	1	HYDRAULIC FILTER ELEMENT HYDRAULIC FILTER, PRIMARY	
5	V837086099	1	MAIN FUEL FILTER	
6	V837091152	1	CONVERSION KIT PREFILTER	
7	V837074523	1	ENGINE OIL FILTER	
8	V837079428	1	DEF CONNECTOR INLET	
9	V837079430	1	DEF CONNECTOR BACKFLOW	
10	V837079429	1	DEF CONNECTOR OUTLET	
11	V837079423	1	DEF FILTER DEF MODULE FILTER	
12	71444854	1	FILLER NECK	DEF
14	71393893	2	AIR FILTER ELEMENT PRIMARY AIR FILTER, CAB	
15	71391153	1	AIR FILTER ELEMENT AIR FILTER, HVAC	
16	71463133	1	SERPENTINE BELT ALTERNATOR BELT	1731MM, 14 RIBS
17	71438552	1	SERPENTINE BELT ASPIRATOR FAN	1038.6MM
18	71478776	1	V-BELT AIR CONDITIONER COMPRESSOR ALTERNATOR BELT	6 RIB, 1623.5MM
19	V685040894	1	MULTI-RIBBED BELT COOLANT PUMP	

C0859211-02-01



Item	Part Number	Qty	Description Comments	Technical Specification
1	71443143	1	ENGINE SUPPORT	
2	71433647	1	ENGINE MOUNT	
4	71478827	1	ENGINE MOUNT	
6	3009235X1	8	HEXAGON FLANGE BOLT	M16 X 35 ISO 10.9 ZN
7	700711165	16	FLAT WASHER	5/8"
8	3009240X1	4	HEXAGON FLANGE BOLT	M16 X 60 (2.0) ISO 10.9 ZN
9	5000031X1	4	HEX FLANGE LOCKNUT	M16 (2.0) ISO 8
10	71322759	8	SPACER	.531" ID
11	3009224X1	8	HEXAGON FLANGE BOLT	M12 X 50 (1.75) ISO 10.9 ZN

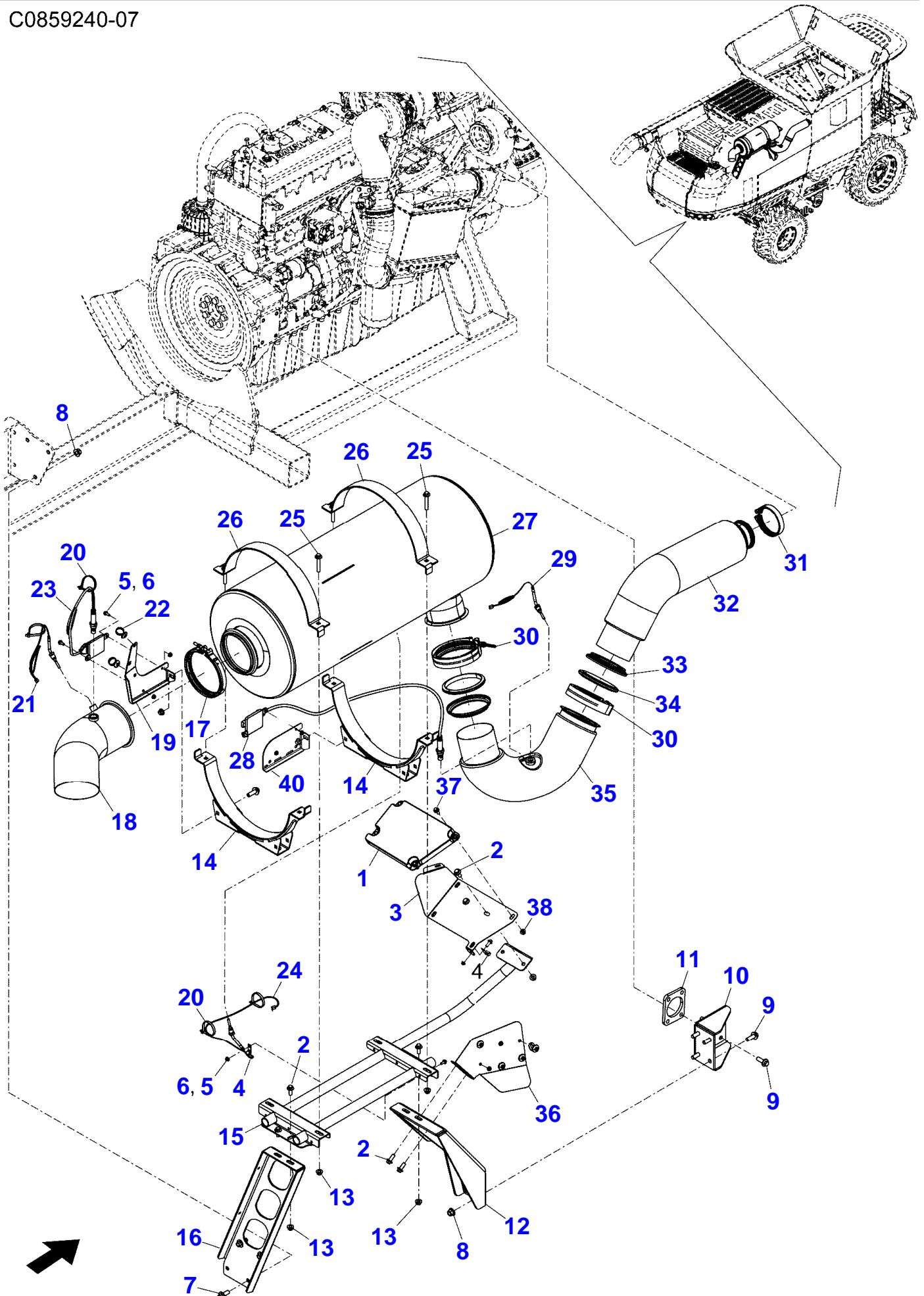
C0859041-07



AIR INTAKE

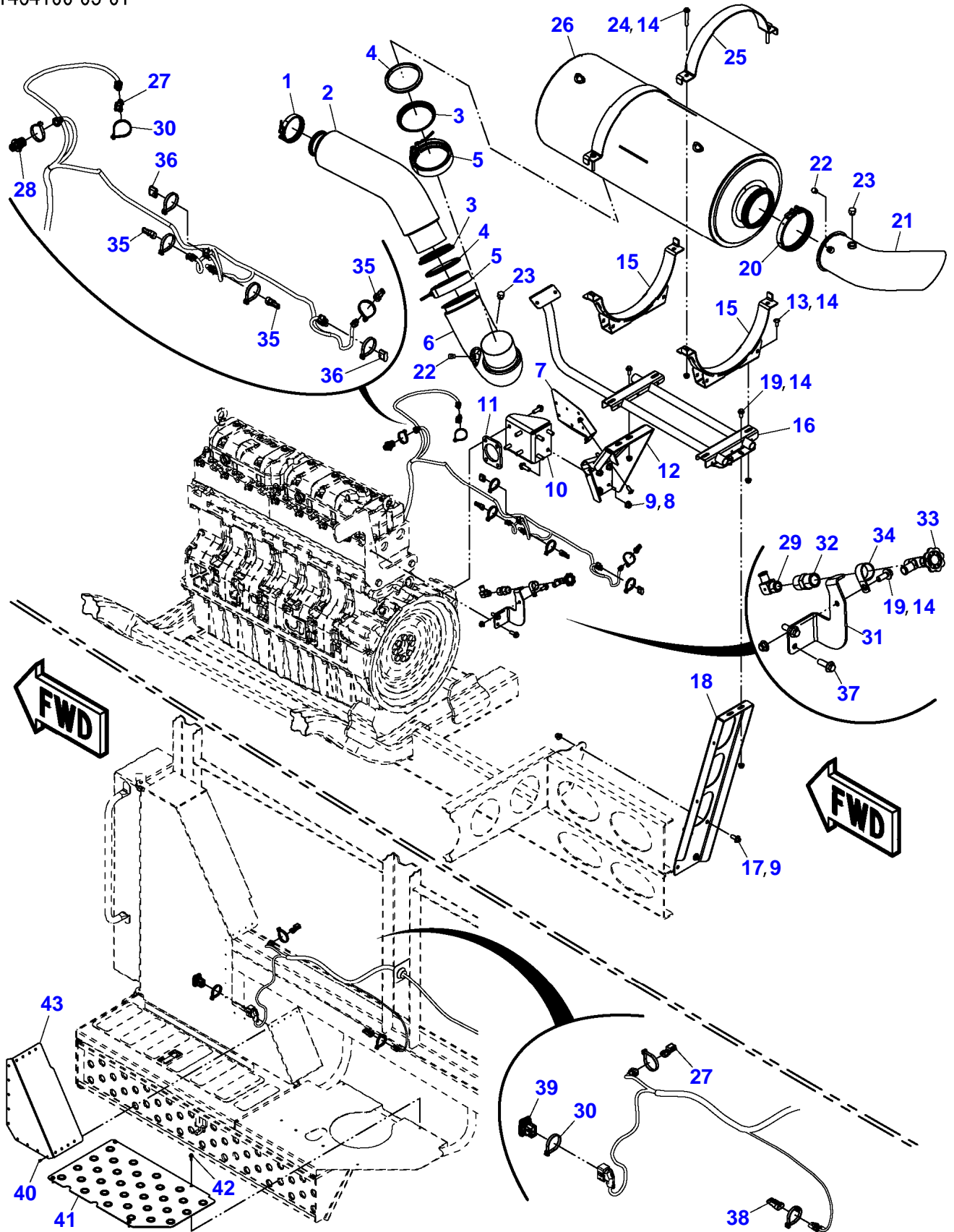
Item	Part Number	Qty	Description Comments	Technical Specification
1	71449267	1	AIR INLET SUPPORT	
2	3009206X1	7	HEXAGON FLANGE BOLT	M10 X 25 (1.5) ISO 10.9 ZN
3	5000029X1	4	HEX FLANGE LOCKNUT	M10 (1.5) ISO 8
4	3012154X1	2	HEXAGON FLANGE BOLT	M8 X 30 (1.25) ISO 8.8 ZN
5	3019124X1	2	HEX FLANGE NUT	M8 (1.25) ISO 10 ZN
6	71441568	1	PREFILTER MOUNT	
7	71435840	1	SUPPORT BRACE	
8	3009205X1	4	HEXAGON FLANGE BOLT	M10 X 20 (1.5) ISO 10.9 PH
9	71438510	1	AIR FILTER ASSEMBLY COMPLETE ASSEMBLY	
10	71476035	2	WORM HOSE CLAMP	
11	71464080	1	CONNECTOR	
12	71438550	1	BRACKET	
13	71438511	1	AIR PRE-CLEANER	
14	700736195	1	HOSE CLAMP	
15	71479558	1	INTAKE DUCT	
16	71479560	1	V CLAMP	305MM D
17	71443171	1	AIR FILTER HOUSING COVER	
18	71443172	1	LATCH	
19	71443173	1	AIR FILTER HOUSING COVER GASKET	
20	71438533	1	AIR FILTER ELEMENT PRIMARY AIR FILTER	
21	71438534	1	AIR FILTER ELEMENT SECONDARY FILTER, INNER	

C0859240-07



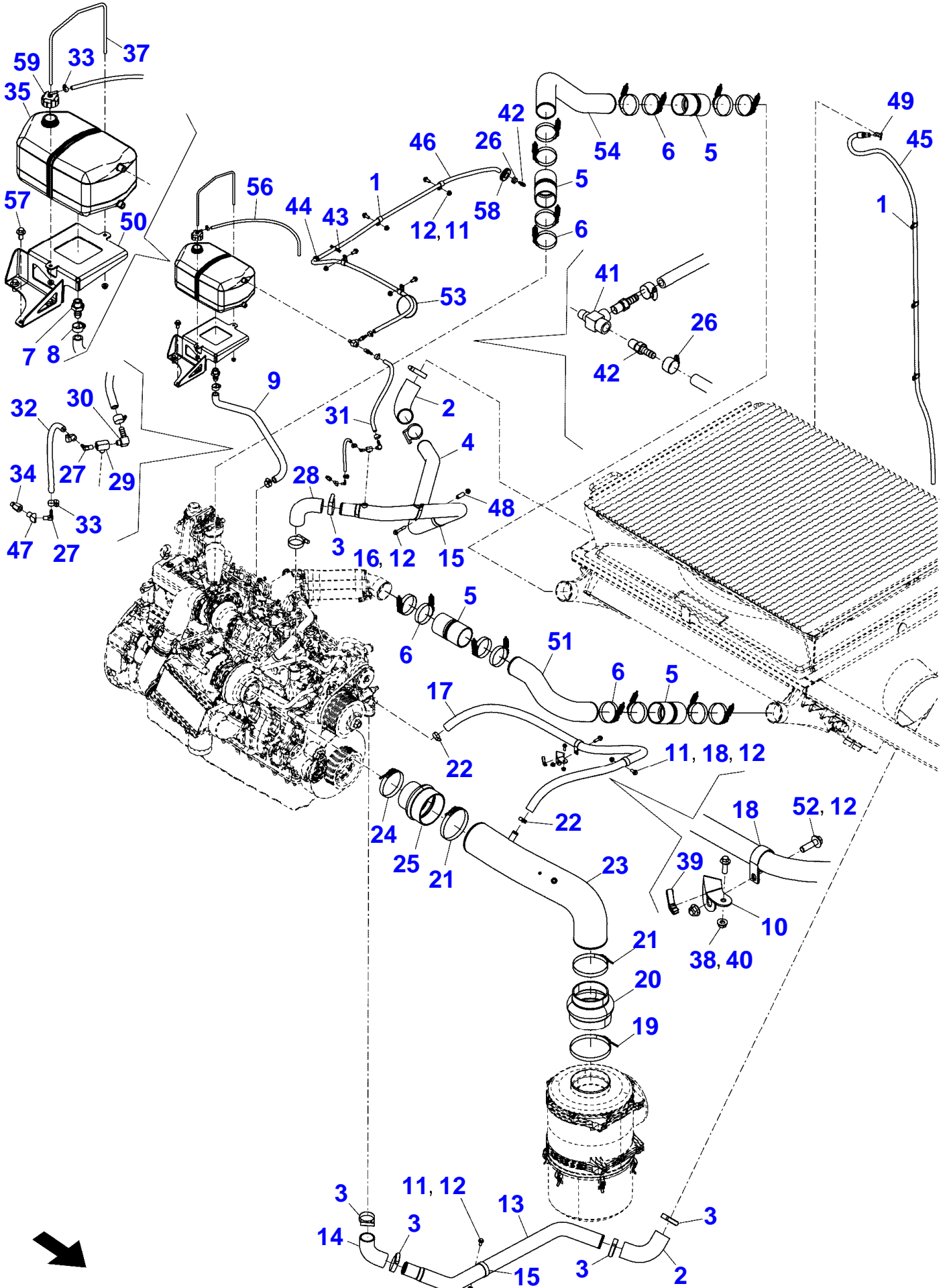
Item	Part Number	Qty	Description Comments	Technical Specification
1	71464045	1	EXHAUST HEAT SHIELD	
2	3009206X1	13	HEXAGON FLANGE BOLT	M10 X 25 (1.5) ISO 10.9 ZN
3	71464067	1	EXHAUST SHIELD	
4	700725918	2	J-CLIP	5/16" DIA X 0.281" HOLE
5	3012141X1	6	HEXAGON FLANGE BOLT	M6 X 16 (1.0) ISO 8.8 ZN
6	5000027X1	6	HEX FLANGE LOCKNUT	M6 (1.0) ISO 8
7	3818907M1	3	BOLT	
8	5000030X1	7	HEX FLANGE LOCKNUT	M12 (1.75) ISO 8
9	3009221X1	8	HEXAGON FLANGE BOLT	M12 X 35 (1.75) ISO 10.9 ZN
10	71470256	1	EXHAUST SUPPORT	
11	71449251	1	PLATE	
12	71470260	1	EXHAUST SUPPORT	
13	5000029X1	15	HEX FLANGE LOCKNUT	M10 (1.5) ISO 8
14	71468012	2	EXHAUST CLAMP	
15	71464026	1	EXHAUST FRAME BRACKET	
16	71464028	1	EXHAUST BRACKET	
17	71459090	1	EXHAUST CLAMP	6.85" OD X .874"
18	71453212	1	EXHAUST PIPE TIP	
19	71470262	1	SENSOR SUPPORT	
20	402294X1	4	CABLE TIE	390MM X 7.6MM
21	V837084096	1	TEMPERATURE SENSOR	
22	71446085	6	CABLE TIE	381.5MM
23	V837084094	1	NOX SENSOR	
24	V837084096	1	TEMPERATURE SENSOR	
25	3009213X1	4	HEXAGON FLANGE BOLT	M10 X 60 (1.5) ISO 10.9 ZN
26	71464010	2	BAND CLAMP	
27	71478817	1	SCR MUFFLER	9.8L
28	V837084094	1	NOX SENSOR	
29	V837084096	1	TEMPERATURE SENSOR	
30	575160D1	2	V CLAMP	5"
31	V837084045	1	V CLAMP	
32	71453208	1	EXHAUST PIPE	
33	575160D1	2	V CLAMP	5"
34	575160D1	2	V CLAMP	5"
35	71453209	1	EXHAUST PIPE	
36	71464044	1	EXHAUST SHIELD	
37	3012152X1	4	HEXAGON FLANGE BOLT	M8 X 20 (1.25) ISO 8.8 ZN
38	5000028X1	4	HEX FLANGE LOCKNUT	M8 (1.25) ISO 8
40	71470293	1	SENSOR SUPPORT	

71464100-03-01



Item	Part Number	Qty	Description Comments	Technical Specification
1	V837084045	1	V CLAMP	
2	71453208	1	EXHAUST PIPE	
3	575160D1	2	V CLAMP	5"
4	575160D1	2	V CLAMP	5"
5	575160D1	2	V CLAMP	5"
6	71453209	1	EXHAUST PIPE	
7	71464044	1	EXHAUST SHIELD	
8	3009221X1	8	HEXAGON FLANGE BOLT	M12 X 35 (1.75) ISO 10.9 ZN
9	5000030X1	7	HEX FLANGE LOCKNUT	M12 (1.75) ISO 8
10	71470256	1	EXHAUST SUPPORT	
11	71449251	1	PLATE	
12	71470260	1	EXHAUST SUPPORT	
13	385373X1	6	ROUND HEAD SQUARE NECK CARRIAGE BOLT	M10 X 25 (1.5) ISO 8.8 ZN.
14	5000029X1	14	HEX FLANGE LOCKNUT	M10 (1.5) ISO 8
	5000029X1	3	HEX FLANGE LOCKNUT	M10 (1.5) ISO 8
15	71468012	2	EXHAUST CLAMP	
16	71464026	1	EXHAUST FRAME BRACKET	
17	3818907M1	3	BOLT	
18	71464028	1	EXHAUST BRACKET	
19	3009206X1	4	HEXAGON FLANGE BOLT	M10 X 25 (1.5) ISO 10.9 ZN
	3009206X1	1	HEXAGON FLANGE BOLT	M10 X 25 (1.5) ISO 10.9 ZN
20	71459090	1	EXHAUST CLAMP	6.85" OD X .874"
21	71453212	1	EXHAUST PIPE TIP	
22	71463263	2	PLUG	M14 (1.5)
23	71463262	2	PLUG	M20 (1.5)
24	3811722M1	4	BOLT	
25	71464010	2	BAND CLAMP	
26	71459119	1	MUFFLER	
27	71457311	2	CONNECTOR CAP	2 PIN
28	71457309	1	CONNECTOR CAP	4 PIN
29	700735659	1	ELBOW FITTING	1/2" NPT X 5/8" HOSE BEAD
30	402294X1	10	CABLE TIE	390MM X 7.6MM
31	71463157	1	SUPPORT	
32	71467930	1	STRAIGHT FITTING	1/2" X 1/2" NPTF
33	700743479	1	SHUTOFF VALVE	
34	700725832	1	HOSE CLAMP	1-1/8" X .406"
35	71457303	3	CONNECTOR CAP	2 PIN
36	71457302	2	CONNECTOR CAP	
37	3009207X1	2	HEXAGON FLANGE BOLT	M10 X 30 (1.5) ISO 10.9 ZN
38	71457305	1	CAP	3 PIN
39	71457307	1	CAP	12 PIN
40	70926695	17	POP RIVET	5/32" X 1/4", PLTD
41	71459121	1	PLATE	
42	3012142X1	4	HEXAGON FLANGE BOLT	M6 X 20 (1.0) ISO 8.8 ZN
43	71470276	1	SHIELD	

C0859250-10



Buy Now



Our support email:

ebooklibonline@outlook.com