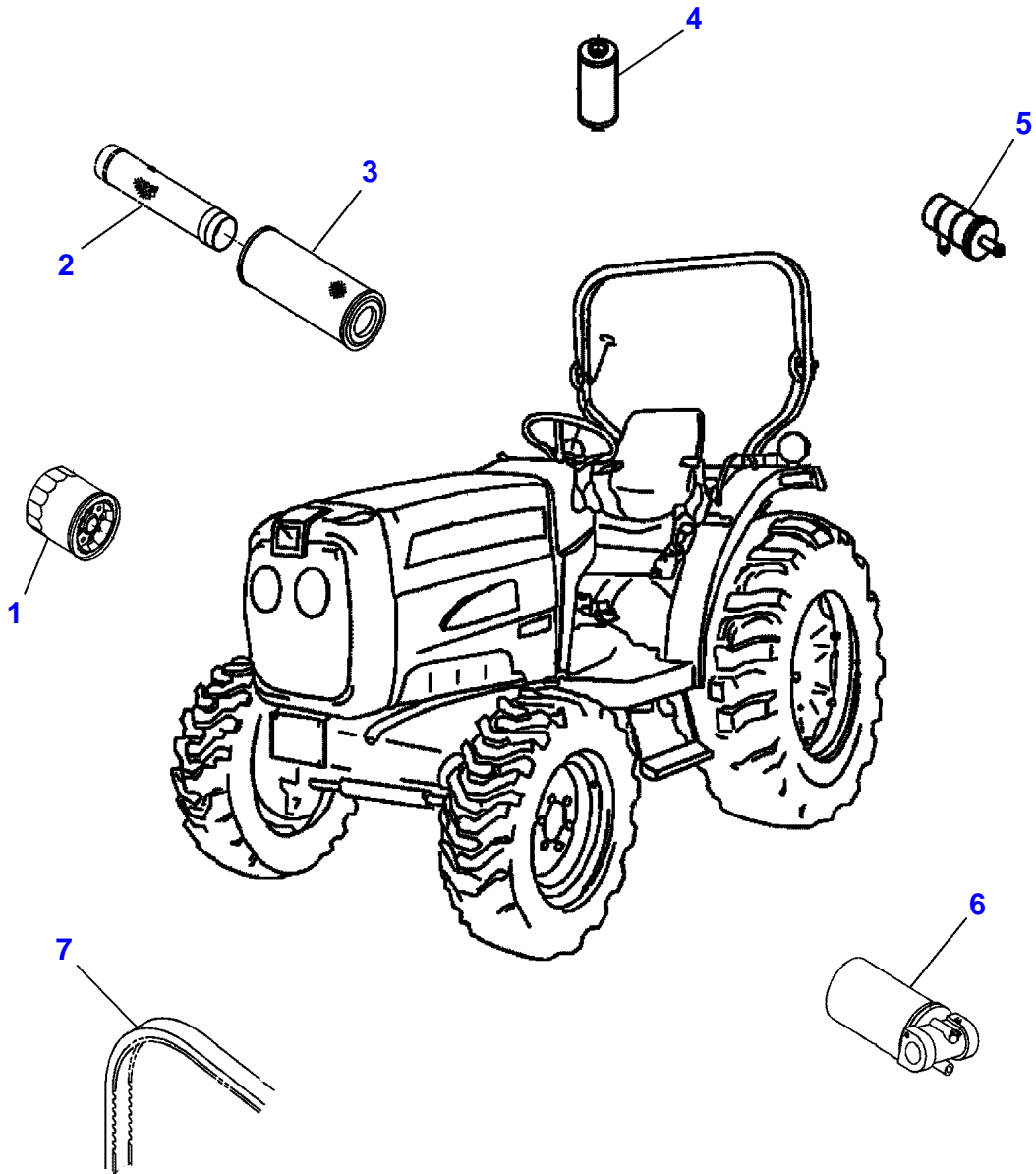


<b>Page Number</b>	<b>Page Title</b>	<b>Page Reference</b>
01-000-TOC	ENGINE, FUEL AND EXHAUST SYSTEM	01-000-TOC
02-000-TOC	STEERING SYSTEM	02-000-TOC
03-000-TOC	DRIVE TRAIN SYSTEM	03-000-TOC
04-000-TOC	BRAKE SYSTEM	04-000-TOC
05-000-TOC	HYDRAULIC SYSTEM	05-000-TOC
06-000-TOC	ELECTRICAL SYSTEM	06-000-TOC
07-000-TOC	CHASSIS	07-000-TOC
08-000-TOC	DECALS	08-000-TOC
09-000-TOC	WHEELS	09-000-TOC
10-000-TOC	IMPLEMENT LIFT SYSTEM	10-000-TOC

Page Number	Page Title	Page Reference
01-0001	BELT AND FILTER GUIDE	2012821
01-0002	CYLINDER HEAD	MFC14985
01-0003	CYLINDER HEAD COVER	MFC14986
01-0004	INLET MANIFOLD	MFC14987
01-0005	EXHAUST MANIFOLD	MFC14988
01-0006	TURBOCHARGER	MFC14989
01-0007	CYLINDER BLOCK 1 OF 2	MFC14990
01-0008	CYLINDER BLOCK 2 OF 2	MFC14991
01-0009	OIL PAN	MFC14992
01-0010	REAR PLATE	MFC14993
01-0011	TIMING GEAR CASE	MFC14994
01-0012	HANGER	MFC14995
01-0013	VALVES	MFC14996
01-0014	CAM SHAFT	MFC14997
01-0015	PISTON	MFC14998
01-0016	CRANKSHAFT	MFC14999
01-0017	OIL PUMP	MFC15000
01-0018	WATER PUMP	MFC15001
01-0019	COOLING FAN	MFC15002
01-0020	INJECTION NOZZLE	MFC15003
01-0021	COMPONENT PARTS - INJECTION NOZZLE	MFC15012
01-0022	INJECTION PUMP	MFC15004
01-0023	COMPONENT PARTS - INJECTION PUMP	MFC15013
01-0024	FUEL PIPE	MFC15005
01-0025	ADAPTER	MFC15006
01-0026	STARTER AND ALTERNATOR	MFC15007
01-0027	COMPONENT PARTS - STARTER	MFC15014
01-0028	COMPONENT PARTS - ALTERNATOR	MFC15015
01-0029	ELECTRICAL COMPONENTS	MFC15008
01-0030	BEARINGS - UNDERSIZE	MFC15009
01-0031	PISTON - OVER SIZE	MFC15010
01-0032	REPAIR PARTS - ENGINE	MFC15011
01-0033	COOLING SYSTEM	MFC14863
01-0034	COOLING SYSTEM	MFC14864
01-0035	EXHAUST	MFC14865
01-0036	AIR FILTER	MFC14866
01-0037	FUEL SYSTEM - TANK & ATTACHMENTS	MFC14867
01-0038	FUEL SYSTEM - TANK & ATTACHMENTS	MFC14868
01-0039	THROTTLE CONTROL	MFC14869

MF 1540 COMPACT TRACTOR  
1540FIL

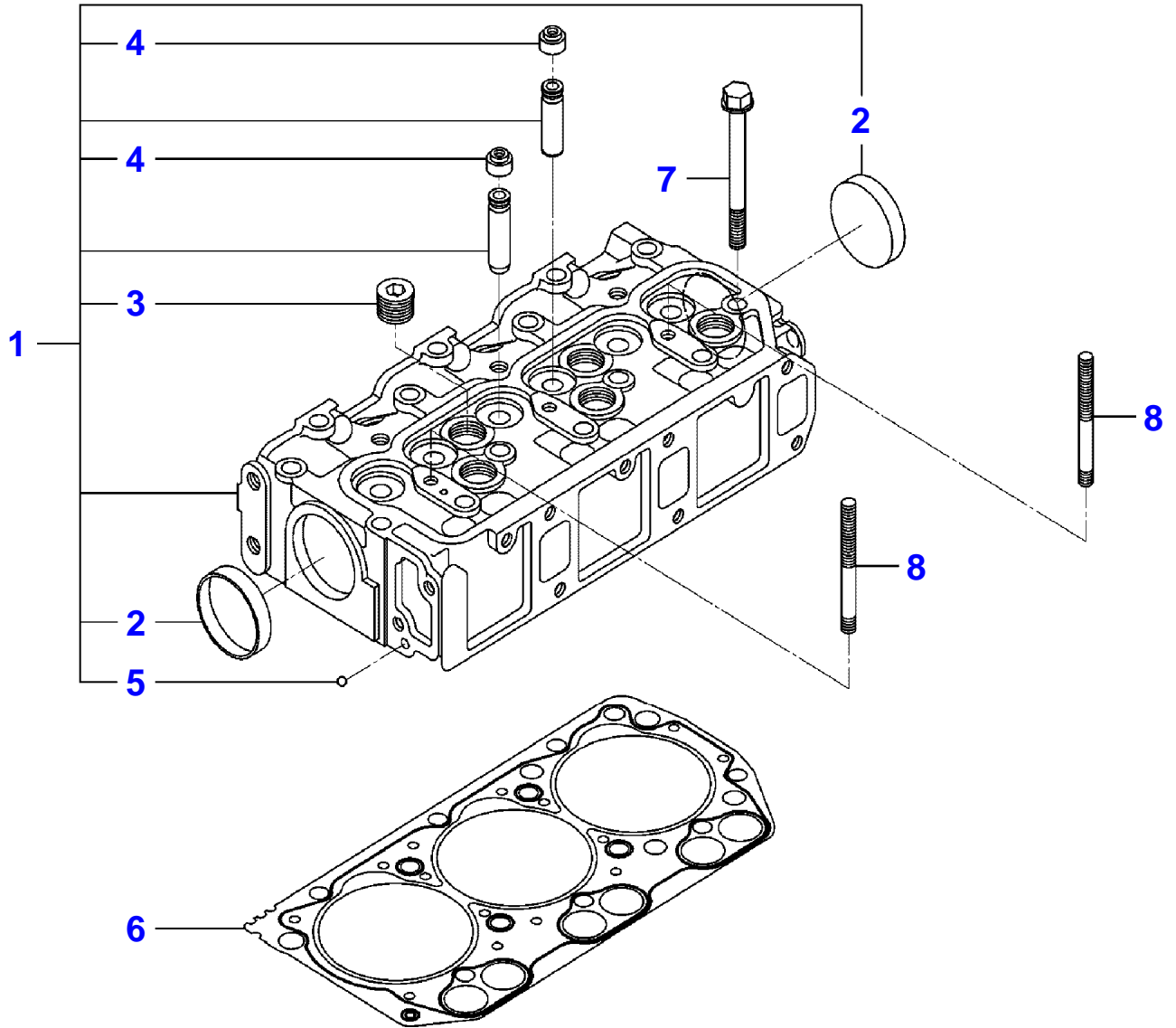
1540FIL



<b>Item</b>	<b>Part Number</b>	<b>Qty</b>	<b>Description Comments</b>	<b>Technical Specification</b>
1	3757038M2	1	ENGINE OIL FILTER	
2	6241353M91	1	FILTER ELEMENT SECONDARY	
3	3607884M92	1	PRIMARY AIR FILTER ELEMENT	
4	3608255M1	1	FUEL FILTER ELEMENT	
5	4268939M91	1	FUEL FILTER	
6	6252978M2	1	CARTRIDGE	20/R
7	6258693M1	1	V BELT	

MF 1540 COMPACT TRACTOR  
MFC14985

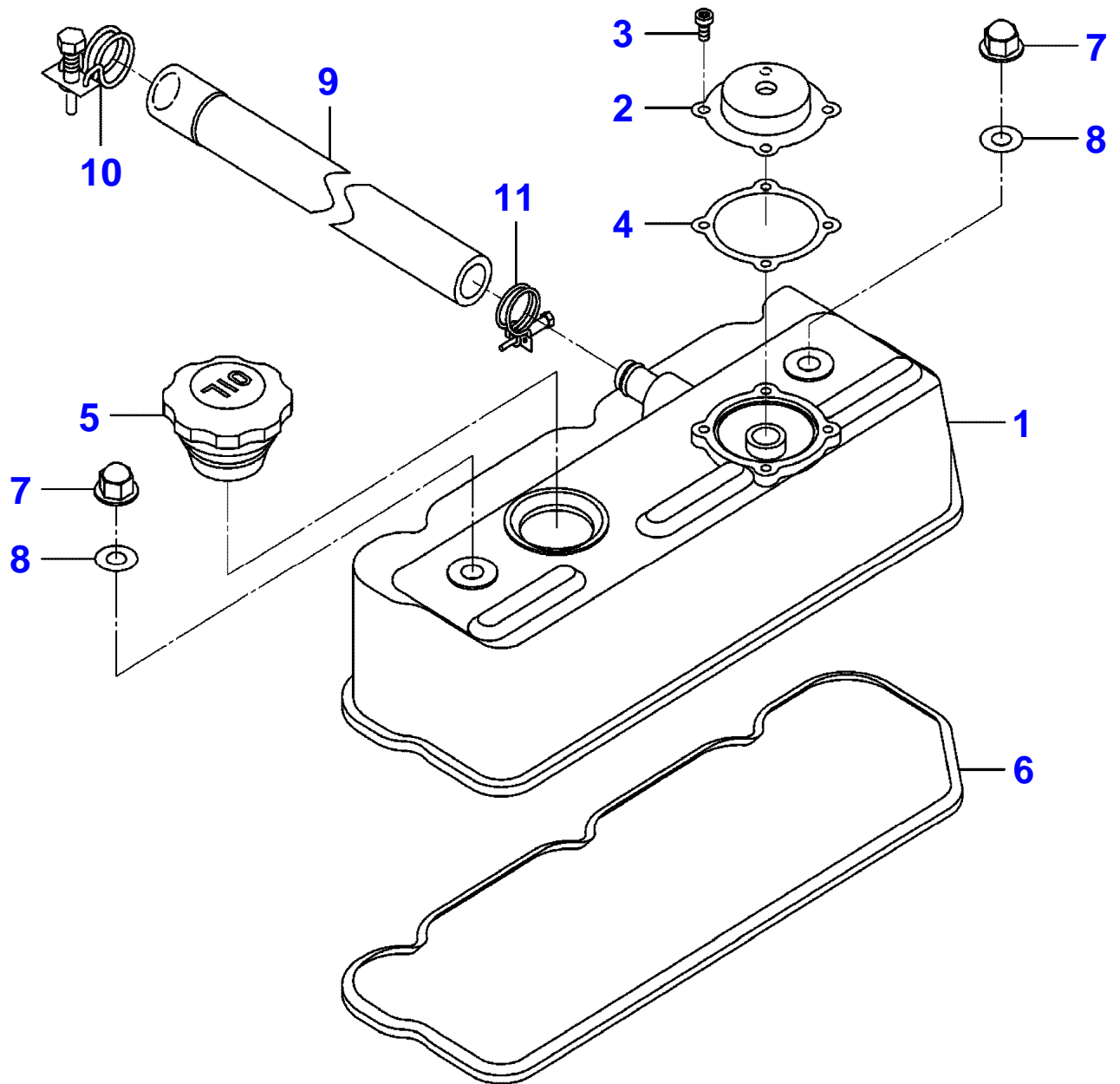
MFC14985



<b>Item</b>	<b>Part Number</b>	<b>Qty</b>	<b>Description Comments</b>	<b>Technical Specification</b>
1	6242277M93	1	KIT, CYL. HEAD	
2	3710542M1	2	SEALING CUP	?50 MM
3	3707877M2	5	PIPE PLUG	1/2"
4	3710256M1	6	VALVE OIL SEAL	
5	3711713M1	1	BALL	
6	6242056M2	1	CYLINDER HEAD GASKET	
7	3710536M1	14	HEXAGONAL HEAD BOLT	M10 X 92 (1.25)
8	3607420M1	2	STUD BOLT	M8 X 71 (1.25)

MF 1540 COMPACT TRACTOR  
MFC14986

MFC14986

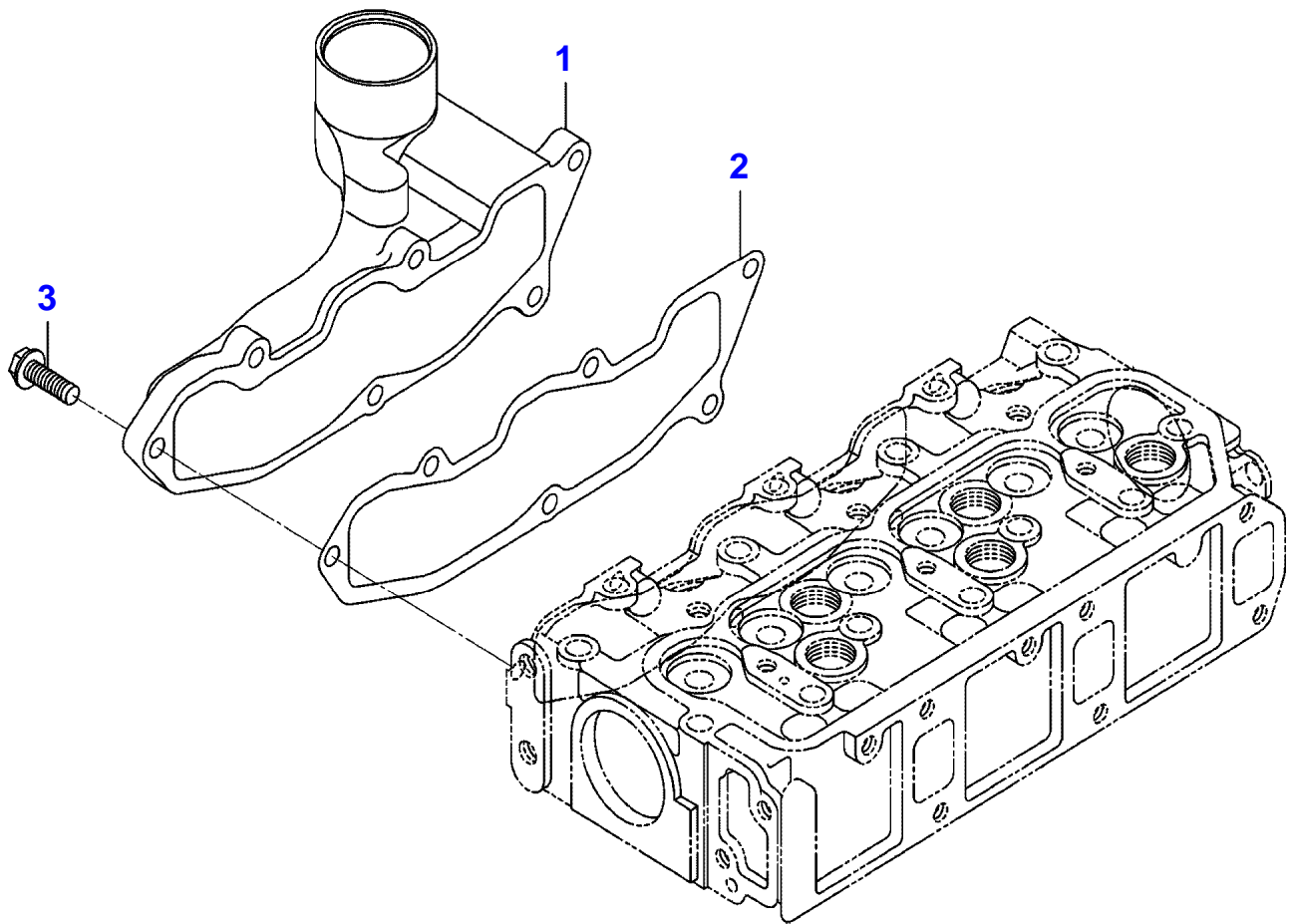


<b>Item</b>	<b>Part Number</b>	<b>Qty</b>	<b>Description Comments</b>	<b>Technical Specification</b>
1	3608540M92	1	CYLINDER HEAD COVER	
2	6242410M1	1	COVER	
3	3710529M1	4	HEXAGONAL HEAD BOLT	4 X 8"
4	6242409M1	1	PACKING	
5	3710188M1	1	OIL FILLER CAP	
6	3710553M1	1	CYLINDER HEAD COVER SEAL	
7	3710127M2	2	CAP NUT	M8
8	4267629M1	2	SEAL	
9	6242263M1	1	HOSE	
10	3756937M1	1	HOSE CLAMP	?16-20 MM
11	3756936M1	1	HOSE CLIP	?13-18 MM



MF 1540 COMPACT TRACTOR  
MFC14987

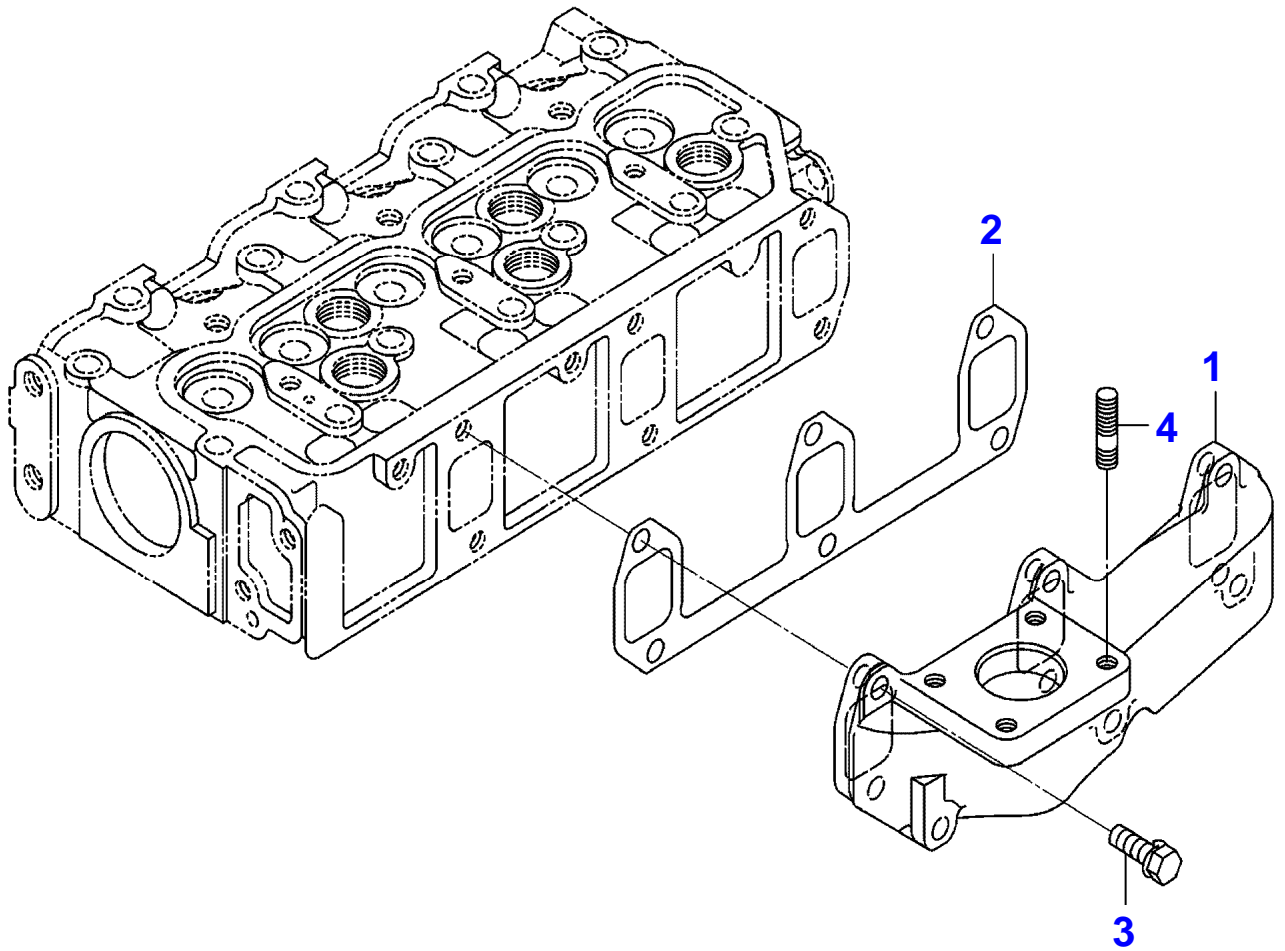
MFC14987



<b>Item</b>	<b>Part Number</b>	<b>Qty</b>	<b>Description Comments</b>
1	3757060M1	1	INTAKE MANIFOLD
2	3710649M1	1	INLET MANIFOLD GASKET
3	4267568M1	6	HEXAGON FLANGE BOLT

MF 1540 COMPACT TRACTOR  
MFC14988

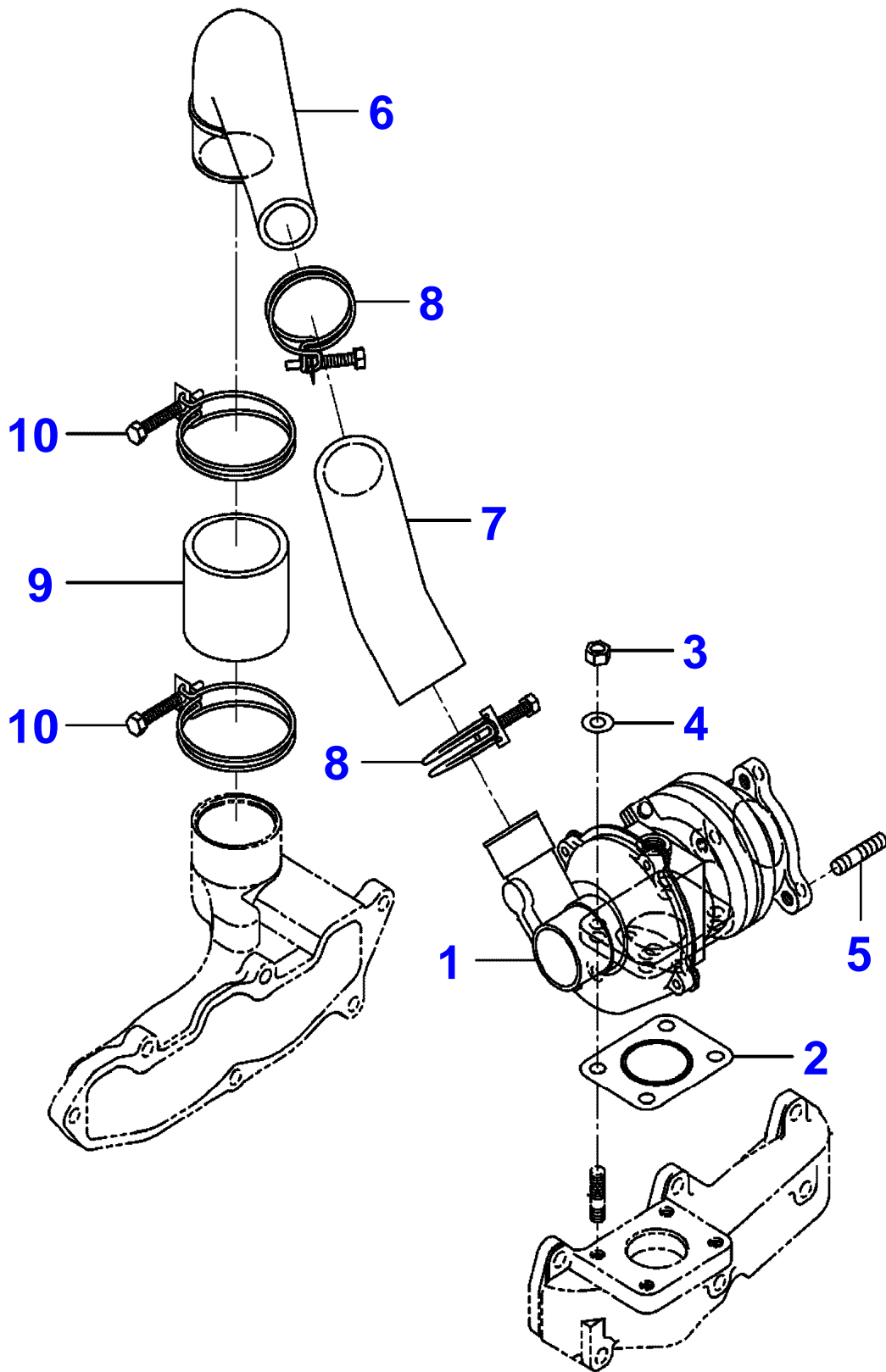
MFC14988



<b>Item</b>	<b>Part Number</b>	<b>Qty</b>	<b>Description Comments</b>
1	6242125M1	1	EXHAUST MANIFOLD
2	3710652M1	1	EXHAUST MANIFOLD GASKET
3	3702273M1	6	HEXAGONAL HEAD BOLT
4	4265608M1	4	STUD BOLT

MF 1540 COMPACT TRACTOR  
MFC14989

MFC14989



Item	Part Number	Qty	Description Comments	Technical Specification
1	6242205M91	1	TURBOCHARGER	
2	3757061M1	1	GASKET	
3	3756938M1	4	HEX NUT	
4	3704671M1	4	WASHER	
5	3704597M1	3	STUD BOLT	
6	6242127M1	1	PIPE	
7	6242253M1	1	HOSE	
8	AG561231	2	HOSE CLAMP	1-1/16"-2", SEA 24, SS
9	6254903M1	1	HOSE	
10	3755572M1	2	HOSE CLIP	?52-63 MM

**Buy Now**



Our support email:

[ebooklibonline@outlook.com](mailto:ebooklibonline@outlook.com)