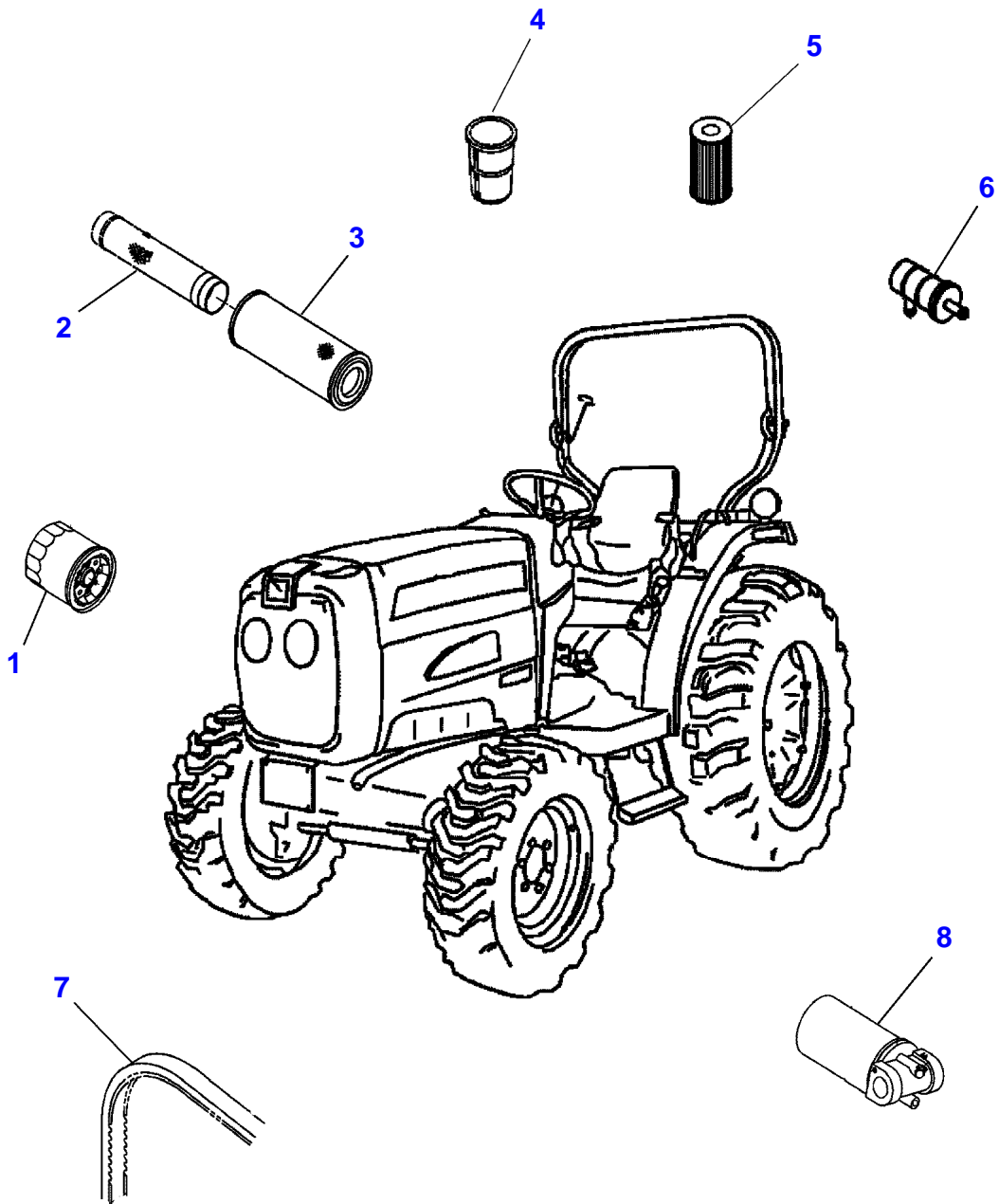


| Page Number | Page Title | Page Reference |
|--------------------|---------------------------------|-----------------------|
| 01-000-TOC | ENGINE, FUEL AND EXHAUST SYSTEM | 01-000-TOC |
| 02-000-TOC | STEERING SYSTEM | 02-000-TOC |
| 03-000-TOC | DRIVE TRAIN SYSTEM | 03-000-TOC |
| 04-000-TOC | BRAKE SYSTEM | 04-000-TOC |
| 05-000-TOC | HYDRAULIC SYSTEM | 05-000-TOC |
| 06-000-TOC | ELECTRICAL SYSTEM | 06-000-TOC |
| 07-000-TOC | CHASSIS | 07-000-TOC |
| 08-000-TOC | DECALS | 08-000-TOC |
| 09-000-TOC | WHEELS | 09-000-TOC |
| 10-000-TOC | IMPLEMENT LIFT SYSTEM | 10-000-TOC |

| Page Number | Page Title | Page Reference |
|--------------------|--|-----------------------|
| 01-0001 | FILTER AND BELT GUIDE | 2012851 |
| 01-0002 | CYLINDER HEAD | 2011896 |
| 01-0003 | CYLINDER HEAD COVER | 2011897 |
| 01-0004 | INLET MANIFOLD | 2011898 |
| 01-0005 | EXHAUST MANIFOLD | 2011899 |
| 01-0006 | CYLINDER BLOCK | 2011900 |
| 01-0007 | OIL PAN | 2011901 |
| 01-0008 | REAR PLATE | 2011902 |
| 01-0009 | TIMING GEAR CASE | 2011903 |
| 01-0010 | HANGER | 2011904 |
| 01-0011 | VALVES | 2011905 |
| 01-0012 | CAM SHAFT | 2011906 |
| 01-0013 | PISTON | 2011907 |
| 01-0014 | CRANKSHAFT | 2011908 |
| 01-0015 | OIL PUMP | 2011909 |
| 01-0016 | WATER PUMP | 2011910 |
| 01-0017 | COOLING FAN | 2011911 |
| 01-0018 | INJECTION NOZZLE | 2011912 |
| 01-0019 | COMPONENT PARTS - INJECTION NOZZLE | 2011913 |
| 01-0020 | INJECTION PUMP | 2011914 |
| 01-0021 | COMPONENT PARTS - INJECTION PUMP | 2011915 |
| 01-0022 | FUEL PIPE | 2011916 |
| 01-0023 | ADAPTER | 2011917 |
| 01-0024 | STARTER AND ALTERNATOR | 2011918 |
| 01-0025 | COMPONENT PARTS - STARTER | 2011919 |
| 01-0026 | COMPONENT PARTS - ALTERNATOR | 2011920 |
| 01-0027 | ELECTRICAL COMPONENTS | 2011921 |
| 01-0028 | BEARING - UNDERSIZE | 2011922 |
| 01-0029 | PISTON - OVERSIZE | 2011923 |
| 01-0030 | REPAIR PARTS - ENGINE | 2011924 |
| 01-0031 | COOLING SYSTEM 1 OF 2 | MFC14771 |
| 01-0032 | COOLING SYSTEM 2 OF 2 | MFC14772 |
| 01-0033 | EXHAUST | MFC14773 |
| 01-0034 | AIR FILTER | MFC14774 |
| 01-0035 | FUEL SYSTEM - TANK & ATTACHMENTS 1 OF 2 | MFC14775 |
| 01-0036 | FUEL SYSTEM - TANK & ATTACHMENTS 2 OF 2 | MFC14776 |
| 01-0037 | THROTTLE CONTROL | MFC14777 |

1552 COMPACT TRACTOR
1552FIL

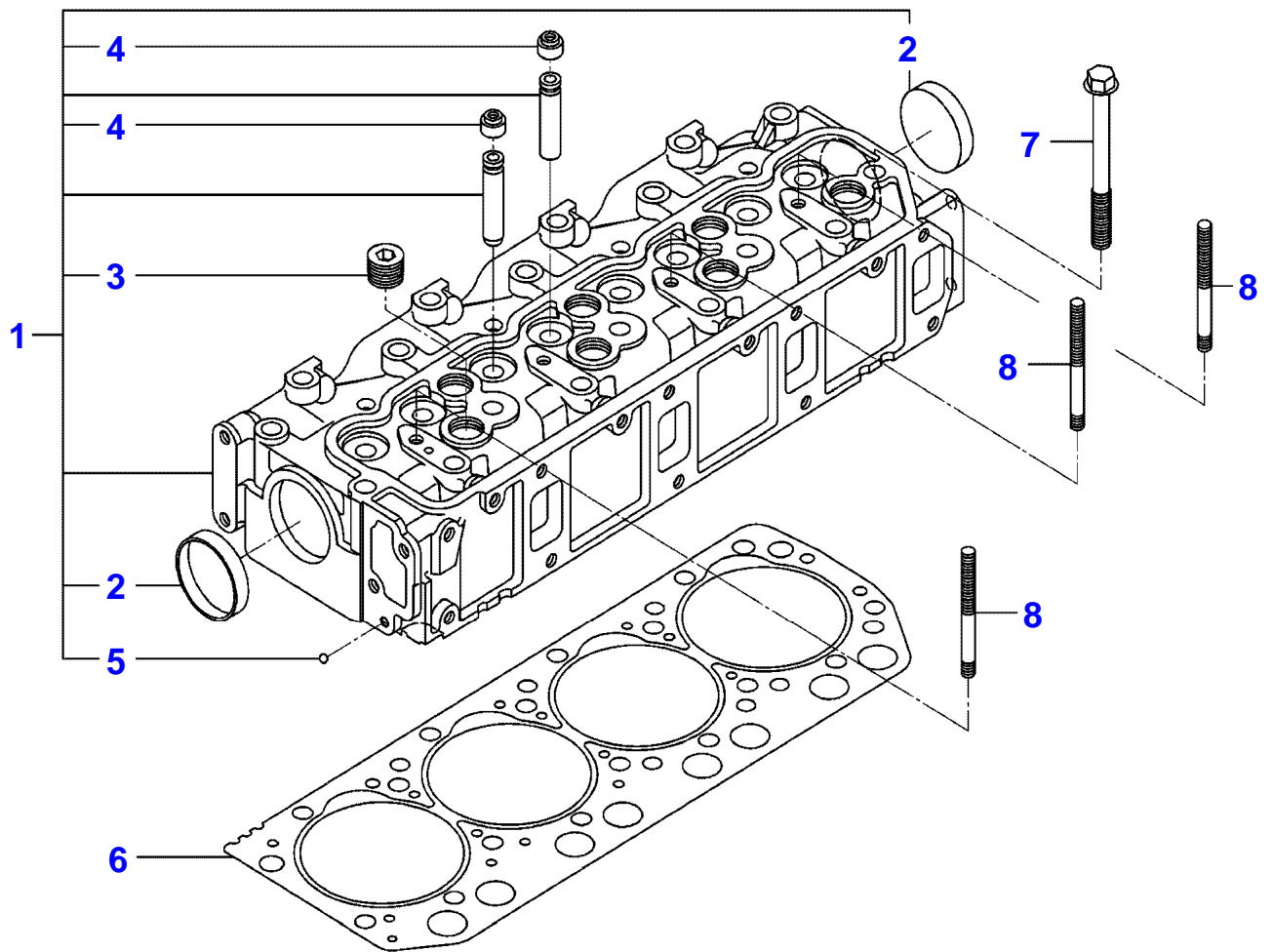
1552FIL



| Item | Part Number | Qty | Description Comments | Technical Specification |
|-------------|--------------------|------------|---------------------------------|--------------------------------|
| 1 | 3757038M2 | 1 | ENGINE OIL FILTER | |
| 2 | 6242781M91 | 1 | INNER ELEMENT SECONDARY | |
| 3 | 6242573M92 | 1 | AIR FITR.ELEMENT PRIMARY | |
| 4 | 6241165M2 | 1 | STRAINER | |
| 5 | 3702815M1 | 1 | FUEL FILTER | |
| 6 | 4268939M91 | 1 | FUEL FILTER | |
| 7 | 6258697M1 | 1 | V BELT | R5 A 43.5 |
| 8 | 6252978M2 | 1 | CARTRIDGE | 20/R |

1552 COMPACT TRACTOR
MFC14956

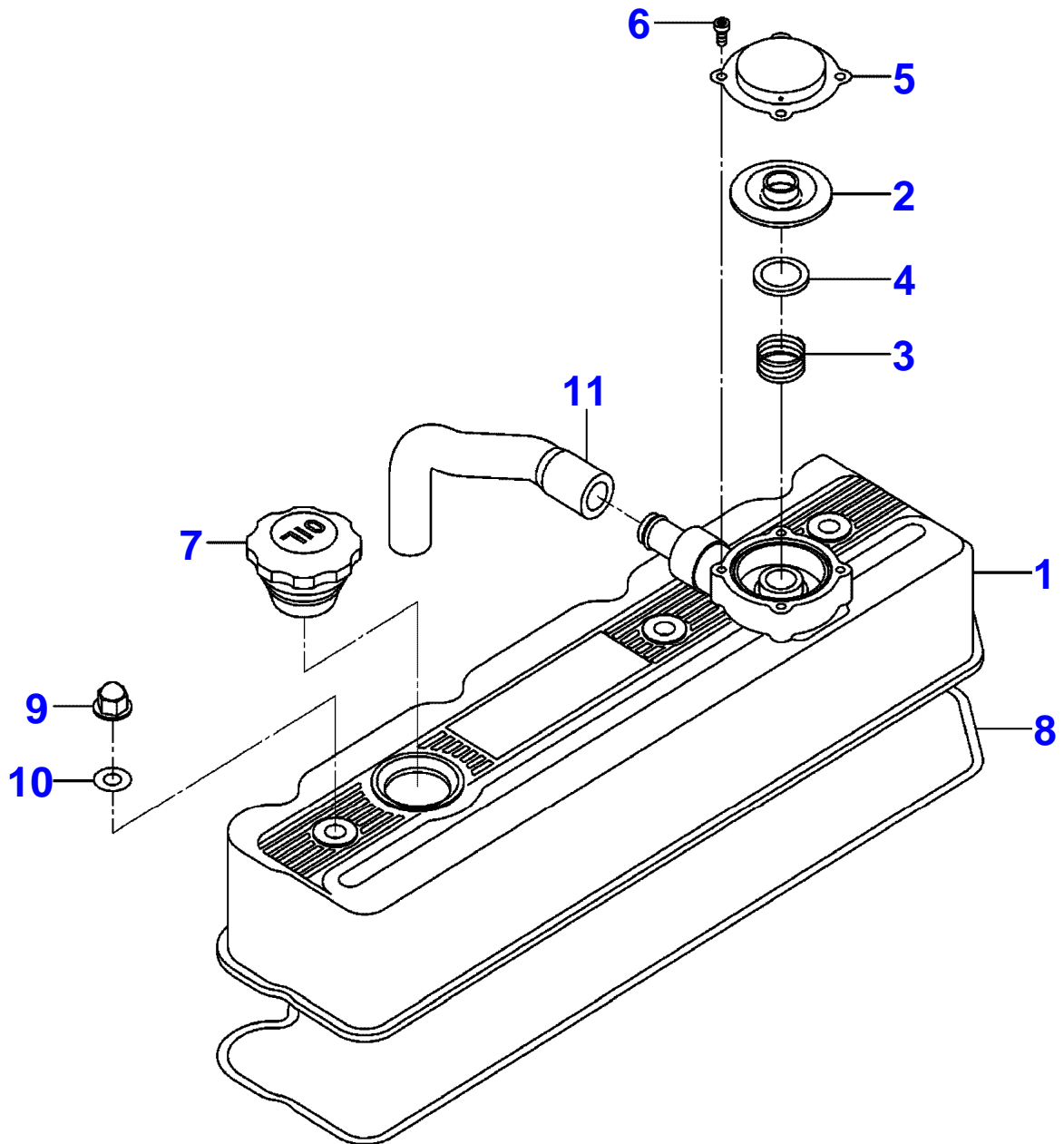
MFC14956



| Item | Part Number | Qty | Description Comments | Technical Specification |
|-------------|--------------------|------------|---------------------------------|--------------------------------|
| 1 | 4267902M95 | 1 | CYLINDER BLOCK | |
| 2 | 3710542M1 | 2 | SEALING CUP | ?50 MM |
| 3 | 3707877M2 | 7 | PIPE PLUG | 1/2" |
| 4 | 3710256M1 | 8 | VALVE OIL SEAL | |
| 5 | 3711713M1 | 1 | BALL | |
| 6 | 6243037M3 | 1 | CYLINDER HEAD GASKET | |
| 7 | 4264534M1 | 18 | HEXAGONAL BOLT | M11-1.5 X 105 |
| 8 | 3607420M1 | 3 | STUD BOLT | M8 X 71 (1.25) |

1552 COMPACT TRACTOR
MFC14957

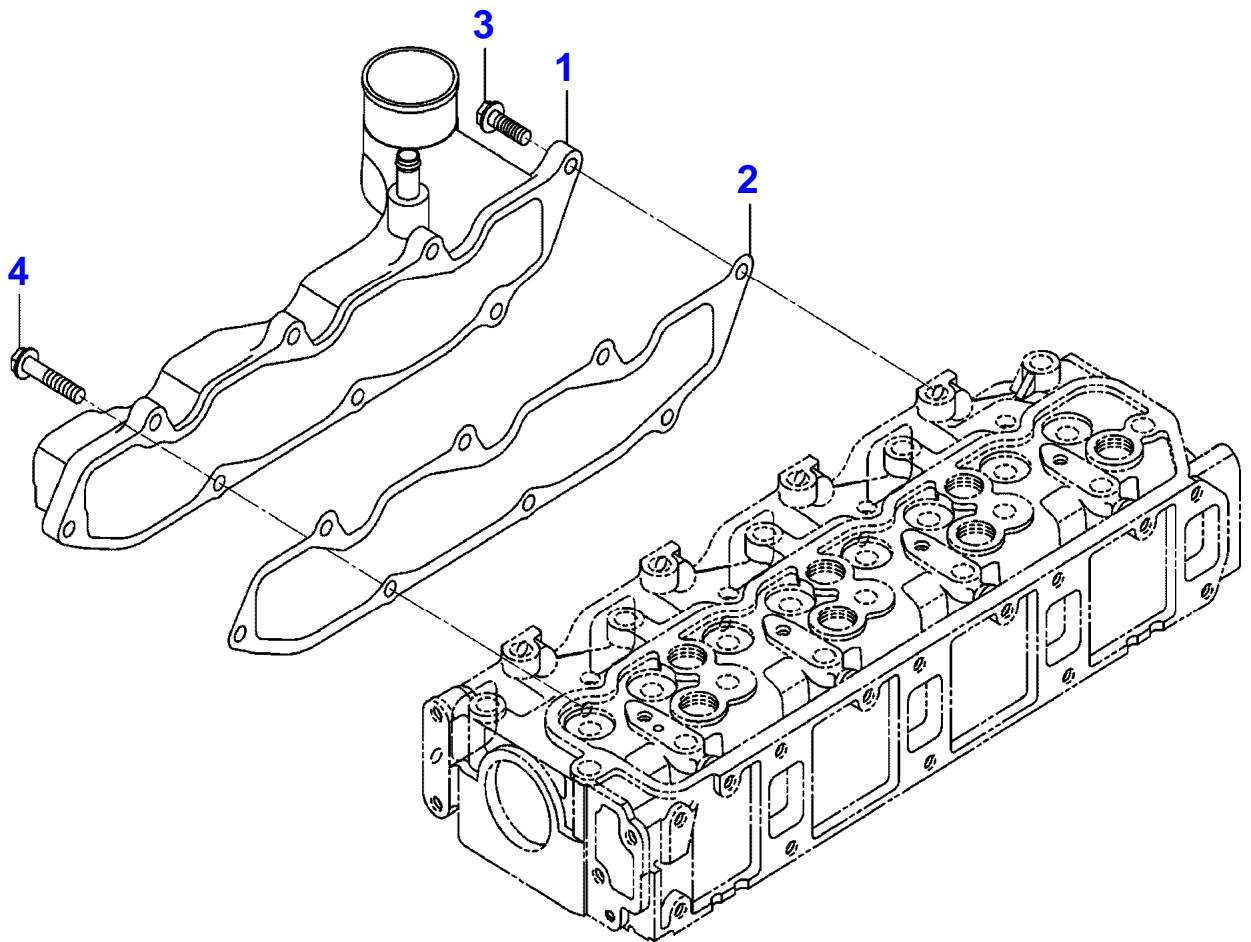
MFC14957



| Item | Part Number | Qty | Description Comments | Technical Specification |
|-------------|--------------------|------------|---------------------------------|--------------------------------|
| 1 | 4265610M92 | 1 | CYLINDER HEAD COVER | |
| 2 | 3607106M1 | 1 | RUBBER FLANGE | |
| 3 | 3607108M1 | 1 | SPRING | |
| 4 | 3607109M1 | 1 | SPRING SEAT | |
| 5 | 3607110M1 | 1 | BLOW BY COVER | |
| 6 | 3710529M1 | 4 | HEXAGONAL HEAD BOLT | 4 X 8" |
| 7 | 3710188M1 | 1 | OIL FILLER CAP | |
| 8 | 6255009M1 | 1 | CYLINDER HEAD GASKET | |
| 9 | 3710127M2 | 3 | CAP NUT | M8 |
| 10 | 4267629M1 | 3 | SEAL | |
| 11 | 4265609M2 | 1 | RUBBER HOSE | |

1552 COMPACT TRACTOR
MFC14958

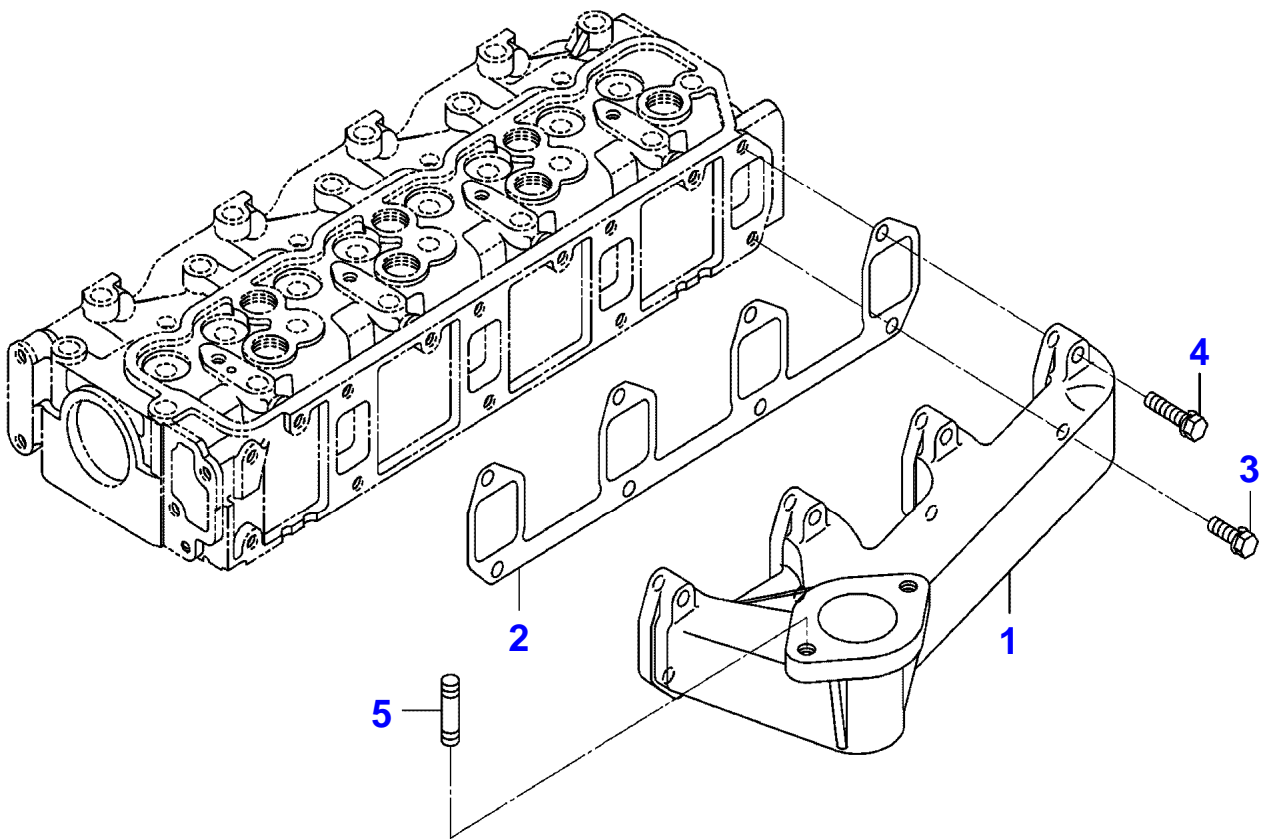
MFC14958



| Item | Part Number | Qty | Description Comments |
|-------------|--------------------|------------|---------------------------------|
| 1 | 4264651M91 | 1 | INLET MANIFOLD |
| 2 | 4264653M1 | 1 | INLET MANIFOLD GASKET |
| 3 | 4267568M1 | 5 | HEXAGON FLANGE BOLT |
| 4 | 4267570M1 | 3 | HEXAGON FLANGE BOLT |

1552 COMPACT TRACTOR
MFC14959

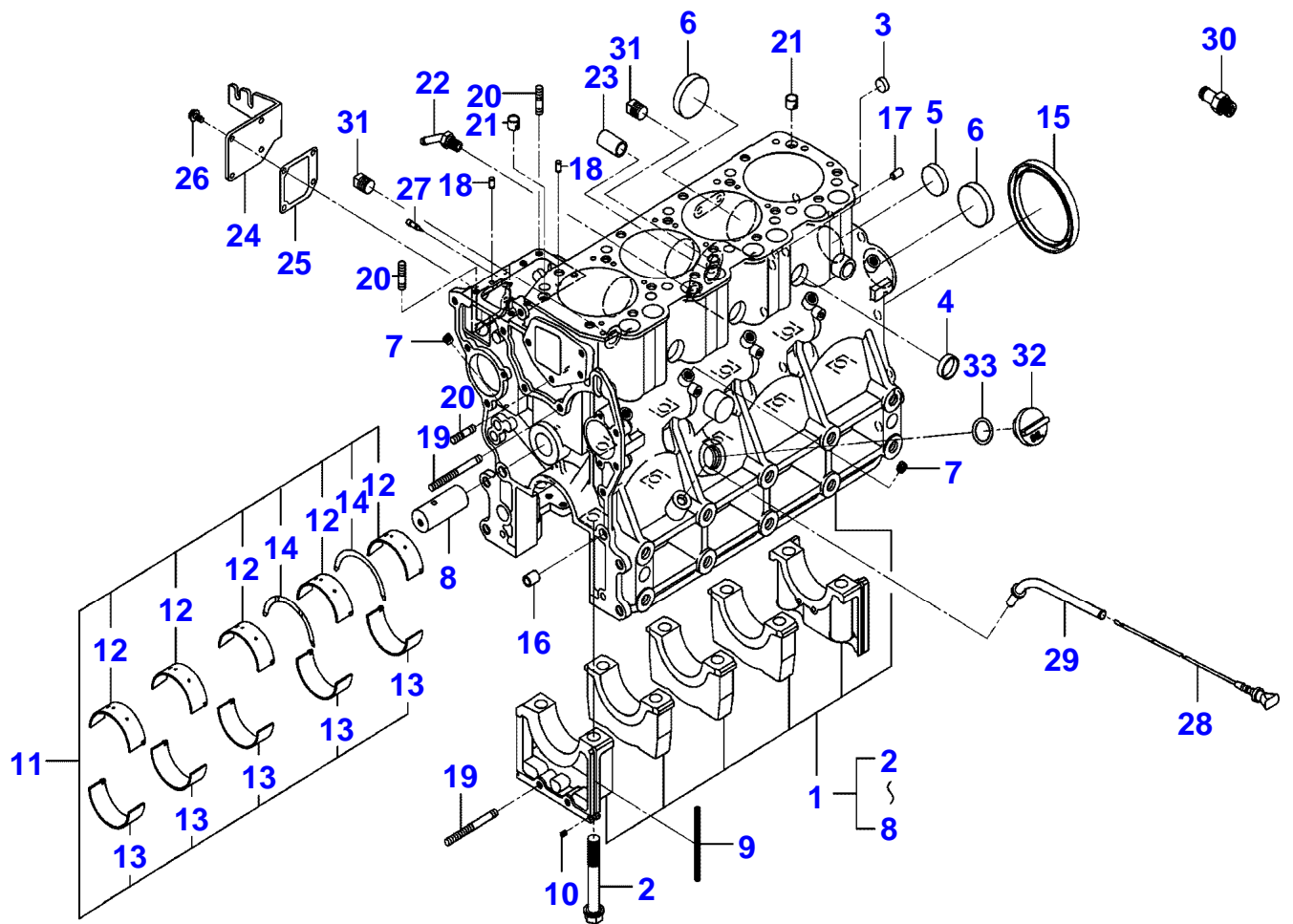
MFC14959



| Item | Part Number | Qty | Description Comments | Technical Specification |
|-------------|--------------------|------------|---------------------------------|--------------------------------|
| 1 | 6243085M1 | 1 | EXHAUST MANIFOLD | |
| 2 | 4264655M1 | 1 | EXHAUST MANIFOLD GASKET | |
| 3 | 3702273M1 | 4 | HEXAGONAL HEAD BOLT | |
| 4 | 3607227M1 | 4 | HEXAGONAL BOLT | M8 X 35 |
| 5 | 3756141M1 | 2 | STUD BOLT | M10 X 25 |

1552 COMPACT TRACTOR
MFC14960

MFC14960



| Item | Part Number | Qty | Description Comments | Technical Specification |
|------|-------------|-----|-------------------------|-------------------------|
| 1 | 6243089M94 | 1 | CYLINDER BLOCK | |
| 2 | 4264535M1 | 10 | HEXAGONAL BOLT | M14 X 1.5 |
| 3 | 4265578M1 | 2 | SEALING CUP | ?16 MM |
| 4 | 3710130M2 | 3 | SEALING CAP | ?28 MM |
| 5 | 4265580M1 | 1 | SEALING CUP | ?36 MM |
| 6 | 3710542M1 | 4 | SEALING CUP | ?50 MM |
| 7 | 6254909M2 | 9 | PLUG | 1/8" |
| 8 | 4264627M2 | 1 | IDLE GEAR PIN | |
| 9 | 4264566M1 | 4 | BEARING CAP SEAL | |
| 10 | 3710161M1 | 2 | BEARING CAP SEAL | ?7 MM |
| 11 | 6258432M1 | 1 | BEARING | |
| 12 | NS | - | NON-SERVICEABLE PART | |
| 13 | NS | - | NON-SERVICEABLE PART | |
| 14 | 6258441M1 | 2 | CRANK ARM BEARING | |
| 15 | 4264543M1 | 1 | OIL SEAL | |
| 16 | 3710137M2 | 2 | DOWEL PIN | |
| 17 | 4266242M1 | 2 | STRAIGHT PIN | ?8 X 16 MM |
| 18 | 3757960M1 | 2 | PIN | ?6 X 12 MM |
| 19 | 3607420M1 | 2 | STUD BOLT | M8 X 71 (1.25) |
| 20 | 3704353M1 | 3 | STUD BOLT | M8 X 22 |
| 21 | 3758287M1 | 2 | DOWEL PIN | |
| 22 | 3754123M1 | 1 | WATER DRAIN PIPE | |
| 23 | 4264261M1 | 1 | OIL FILTER CONNECTOR | |
| 24 | 3756975M3 | 1 | INJECTION PUMP COVER | |
| 25 | 3710163M1 | 1 | COVER SEAL | |
| 26 | 4267405M1 | 4 | HEXAGON FLANGE BOLT | |
| 27 | 3710411M1 | 1 | SPRING PIN | |
| 28 | 6256450M2 | 1 | GAUGE | |
| 29 | 6242061M91 | 1 | GUIDE | |
| 30 | NS | - | NON-SERVICEABLE PART | |
| 31 | 3702509M1 | 2 | PIPE PLUG | 3/8 NPT |
| 32 | 3756982M1 | 1 | OIL FILTER CAP | |
| 33 | 3756940M1 | 1 | O-RING | |

Buy Now



Our support email:

ebooklibonline@outlook.com