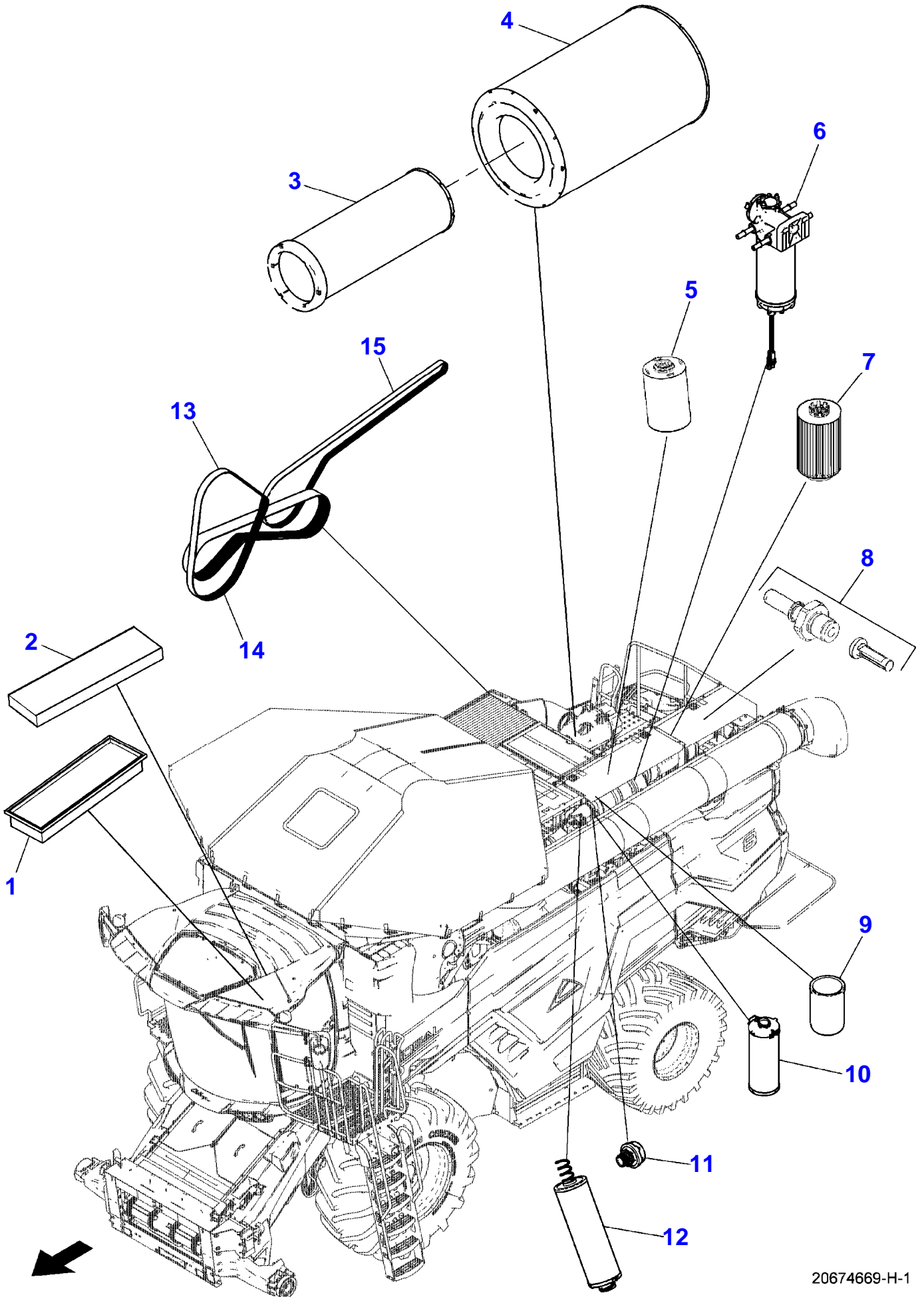


Page Number	Page Title	Page Reference
01-000-TOC	ENGINE, FUEL AND EXHAUST SYSTEM	01-000-TOC
02-000-TOC	ENGINE	02-000-TOC
03-000-TOC	ENGINE INSTALLATION	03-000-TOC
04-000-TOC	DRIVE SYSTEM	04-000-TOC
05-000-TOC	AXLES	05-000-TOC
06-000-TOC	DRIVE TRAIN SYSTEM	06-000-TOC
07-000-TOC	BRAKE SYSTEM	07-000-TOC
08-000-TOC	HYDRAULIC SYSTEM	08-000-TOC
09-000-TOC	ELECTRICAL SYSTEM	09-000-TOC
10-000-TOC	CAB	10-000-TOC
11-000-TOC	AIR CONDITIONING AND HEATING SYSTEM	11-000-TOC
12-000-TOC	CHASSIS	12-000-TOC
13-000-TOC	DECALS	13-000-TOC
14-000-TOC	WHEELS	14-000-TOC
15-000-TOC	FEEDING SYSTEM	15-000-TOC
16-000-TOC	THRESHING SYSTEM	16-000-TOC
17-000-TOC	CLEANING SYSTEM	17-000-TOC
18-000-TOC	GRAIN BIN AND ELEVATOR SYSTEM	18-000-TOC
19-000-TOC	DISCHARGE SYSTEM	19-000-TOC
20-000-TOC	PRECISION FARMING SYSTEMS	20-000-TOC
21-000-TOC	ATTACHMENTS	21-000-TOC
22-000-TOC	ACCESSORIES	22-000-TOC

Page Number	Page Title	Page Reference
01-0001	BELT AND FILTER GUIDE - CL7	2329734
01-0002	ENGINE T4F - ENGINE, ALTERNATOR, STARTER, AIR CONDITIONER T4F	2329903
01-0003	ENGINE ST4 - ENGINE, ALTERNATOR, STARTER, AIR CONDITIONER	2329901
01-0004	ENGINE T3F - ENGINE, ALTERNATOR, STARTER, AIR CONDITIONER	2329902
01-0005	STARTER, ALTERNATOR AND AIR CONDITIONER COMPRESSOR - CL7	2329905
01-0006	FUEL SYSTEM ASSEMBLY - CL7	2343910
01-0007	FUEL INJECTION SYSTEM	2333324
01-0008	FUEL INJECTION PUMP - SERVICE PARTS	2333323
01-0009	FUEL FILTERS	2333322
01-0010	FUEL FILTERS - SERVICE PARTS - ENGINE TYPE AWF	2333321
01-0011	FUEL FILTERS - SERVICE PARTS - ENGINE TYPE AXW3	2333320
01-0012	FUEL TANK ASSEMBLY, 1000 LITER, 264 GALLON 1000L 264 GALLONS	2314676
01-0013	FUEL TANK ASSEMBLY, 1250 LITER, 330 GALLON 1250L 330 GALLONS	2314677
01-0014	DEF SYSTEM INSTALLATION - T4F, ST4 - CL7	2344165
01-0015	DEF SYSTEM INSTALLATION - T3F - CL7	2344119
01-0016	DEF TANK	2314678
01-0017	COOLING PACKAGE ASSEMBLY	2330353
01-0018	RADIATOR AND COOLERS	2330354
01-0019	COOLANT AND AIR TUBES	2330064
01-0020	COOLANT AND AIR TUBES	2330065
01-0021	COOLANT AND AIR TUBES PAGE 2 OF 2	2330352
01-0022	COMPRESSED AIR - CL7	2344229
01-0023	AIR COMPRESSOR	2372972
01-0024	COMPRESSED AIR	2344227
01-0025	ASPIRATOR GROUP - MOUNT	2332669
01-0026	EXHAUST GROUP - T4F, ST4 - CL7	2344168
01-0027	EXHAUST GROUP - T3F - CL7	2344170
01-0028	EXHAUST AFTERTREATMENT - SERVICE PARTS	2333316

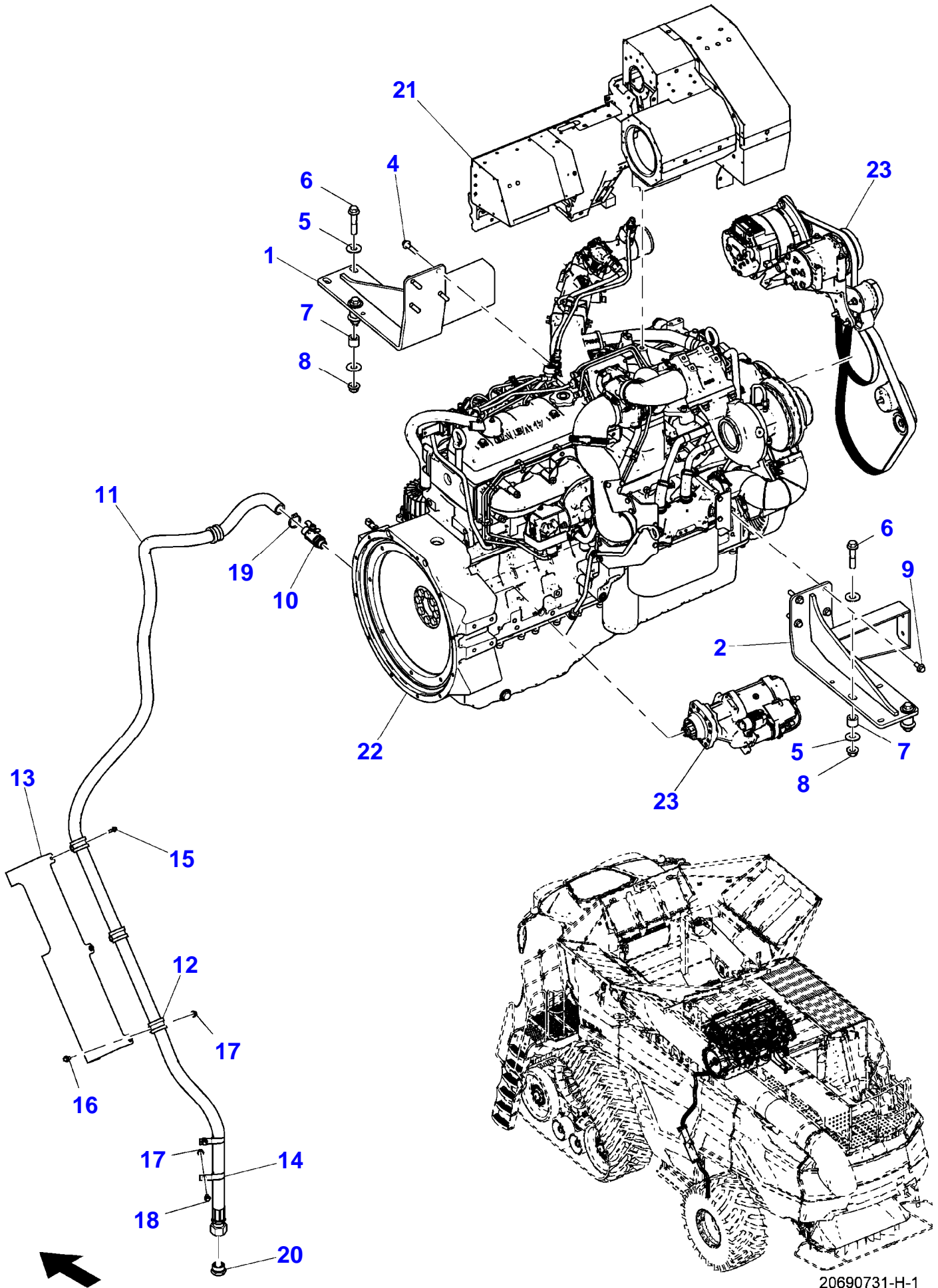
IDEAL CLASS 7 COMBINE
20674669-H-1



20674669-H-1

Item	Part Number	Qty	Description Comments	Technical Specification
1	71484324	1	AIR FILTER	
2	71468247	1	AIR FILTER	
3	ACP0287840	1	SECONDARY AIR FILTER ELEMENT	
4	ACP0287830	1	PRIMARY AIR FILTER ELEMENT	
5	ACP0154860	1	FILTER CARTRIDGE	
6	ACW4182090	1	FUEL FILTER	
7	ACP0153530	1	FILTER ELEMENT	
8	ACP0300680	1	SUCTION FILTER	
9	ACW1330790	1	FILTER ELEMENT	
10	ACW1344920	1	OIL FILTER	
	ACW1344930	1	INDICATOR	
	ACX0102830	1	FILTER ELEMENT	
11	ACX0102560	1	HYDRAULIC TANK FILTER BREATHER	
12	ACW0742020	1	OIL FILTER	
	ACX0102560	1	HYDRAULIC TANK FILTER BREATHER	
	ACW0703380	1	SENSOR	
	ACW0741900	1	FILTER CARTRIDGE	
13	ACW1752880	1	WATER PUMP BELT	CL7
14	ACW1752330	1	COOLING FAN V-BELT	
15	ACW1752340	1	BELT	

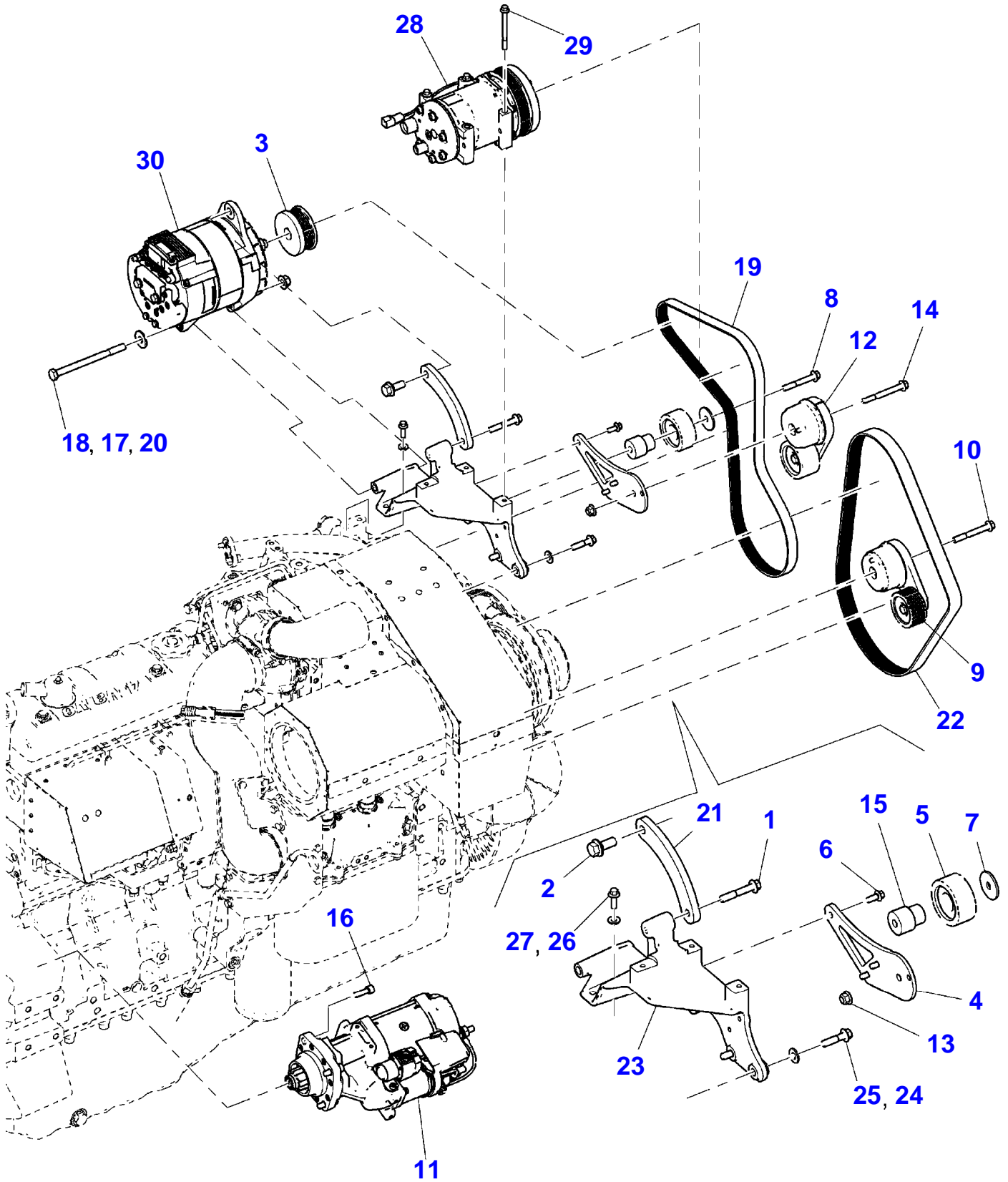
IDEAL CLASS 7 COMBINE
20690731-H-1



20690731-H-1

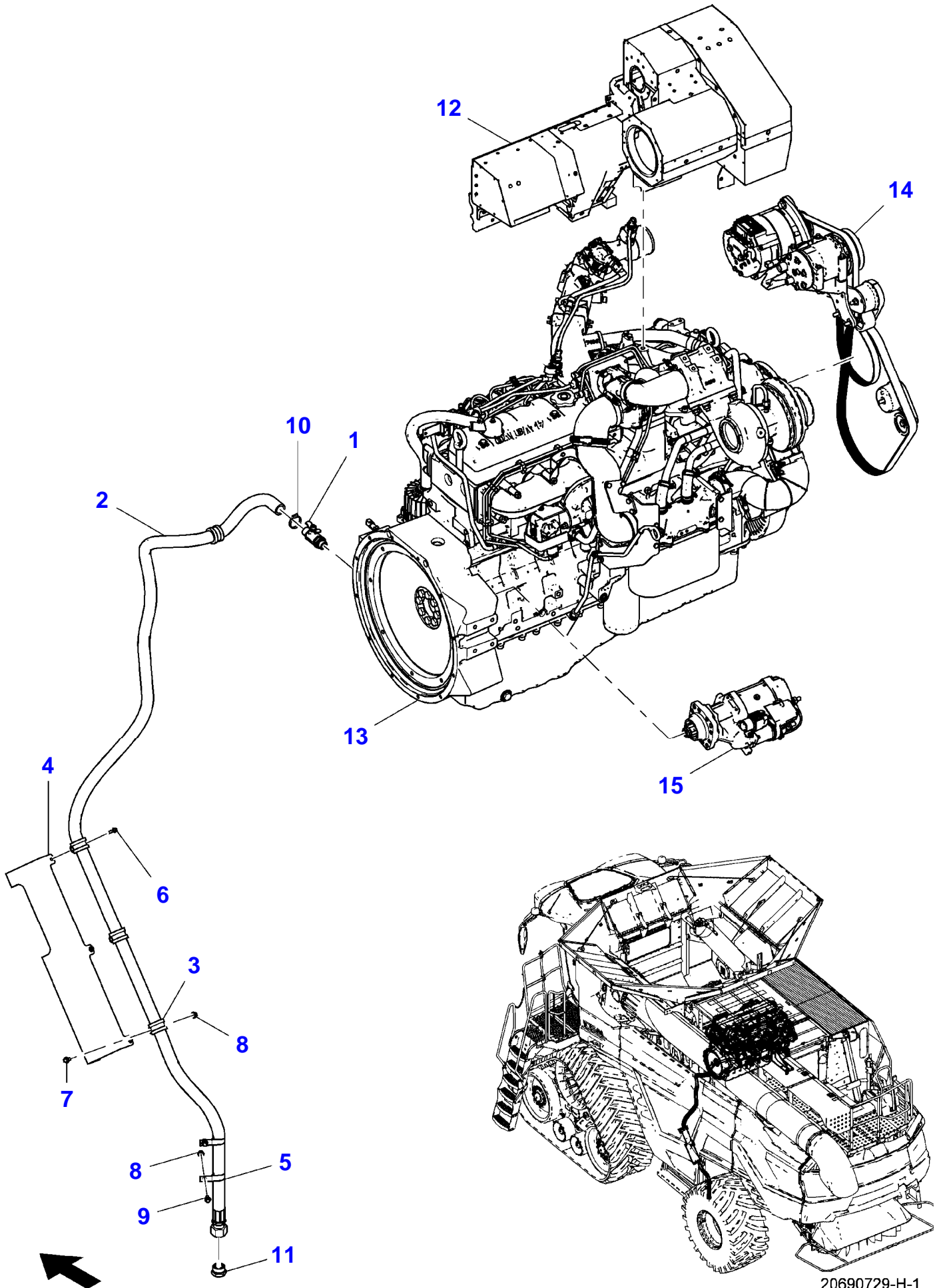
Item	Part Number	Qty	Description Comments	Technical Specification
			T4F	
1	ACW3807310	1	FRONT SUPPORT	
2	ACW3807420	1	SUPPORT	
4	ACW1040950	7	HEXAGON FLANGE BOLT	ISO4162 M12X1.75X50-10 FLZN1
	71322759	7	SPACER	.531" ID
5	ACW1628590	8	FLAT WASHER	ISO887CZ 16-200HV FLZN1
6	ACW1041070	4	HEXAGON FLANGE BOLT	ISO4162 M16X2X80-10 FLZN1
7	ACW0807420	4	SPACER	
8	ACW1027170	4	HEX FLANGE TOP LOCK NUT	ISO7044 M16X2-8 FLZN1
9	ACW1040900	1	HEXAGON FLANGE BOLT	ISO4162 M12X1.75X25-10 FLZN1
10	ACW1762570	1	OIL DRAIN VALVE	
11	ACW1930340	1	OIL DRAIN HOSE	
12	ACW1135600	4	CLAMP	?35 MM
13	ACW115446A	1	SHIELD	
14	70937684	2	J-CLIP	1-1/4" ID X .406" HOLE
15	ACW1041160	6	HEXAGON FLANGE BOLT	ISO4162 M6X1X20-8 FLZN1
16	ACW1041210	3	HEXAGON FLANGE BOLT	ISO4162 M8X1.25X20-8 FLZN1
17	ACW1023930	5	HEX FLANGE NUT	EN1661 M8X1.25-10 FLZN1
18	ACW1041130	2	HEXAGON FLANGE BOLT	ISO4162 M8X1.25X16-8 FLZN1
19	70921912	1	HOSE CLAMP	1.06"-2.0" DIA
20	NS	1	NON-SERVICEABLE PART	
21	ACW4989210	1	INSULATION	
22	ACW0695300	1	ENGINE	
23		1		
			SEE PAGE 01-0005	

IDEAL CLASS 7 COMBINE
20691218-H-1



Item	Part Number	Qty	Description Comments	Technical Specification
1	ACW1040840	1	HEXAGON FLANGE BOLT	M10 X 60 (1.5) ISO 10 FLZN1
2	700710984	1	HEXAGON FLANGE BOLT	1/2"-13 X 1-1/4", GR8, FT
3	ACW1760990	1	ALTERNATOR SHEAVE	
4	ACW1828100	1	IDLER PLATE	
5	ACW1856350	1	IDLER	75 X 32.5
6	ACW1041210	3	HEXAGON FLANGE BOLT	ISO4162 M8X1.25X20-8 FLZN1
7	ACW1628350	1	FLAT WASHER	ISO887CZ 10-200HV FLZN1
8	ACW1040860	1	HEXAGON FLANGE BOLT	ISO4162 M10X1.5X70-10 FLZN1
9	ACW0701140	1	BELT TENSIONER	8 RIB
10	ACW1040870	1	HEXAGON FLANGE BOLT	ISO4162 M10X1.5X80-10 FLZN1
11	ACW7581510	1	STARTER	24V, SAE 1
12	ACW1856410	1	BELT TENSIONER	
13	ACW1027150	1	HEX NUT	ISO7044 M10X1.5-8 FLZN1
14	ACW1040880	1	HEXAGON FLANGE BOLT	ISO4162 M10X1.5X90-10 FLZN1
15	ACW1856380	1	IDLER SHAFT	
16	ACW1066510	3	SOCKET HEAD SETSCREW	ISO4762 M10X1.5X30-10 FLZN1
17	ACW1628580	1	FLAT WASHER	ISO887CZ 12-200HV FLZN1
18	ACW1955890	1	HEXAGONAL BOLT	DIN931 M12X1.75X160-10 FLZN1
19	ACW1752870	1	ACCESSORY DRIVE BELT	CL7
20	ACW1027160	1	HEX FLANGE TOP LOCK NUT	ISO7044 M12X1.75-8 FLZN1
21	ACW1856390	1	ALTERNATOR MOUNT	
22	ACW1752880	1	WATER PUMP BELT	CL7
23	ACW1856370	1	SUPPORT	
24	ACW1066970	2	BELLEVILLE WASHER	DIN6796 10X23X2.5 FLZN1
25	ACW1040810	2	HEXAGON FLANGE BOLT	ISO4162 M10X1.5X40-10 FLZN1
26	ACW1066960	2	BELLEVILLE WASHER	DIN6796 8X18X2 FLZN1
27	ACW1493700	2	HEXAGON FLANGE BOLT	ISO4162 M8X1.25X25-10 FLZN1
28	ACW0479310	1	COMPRESSOR	
29	ACW1041300	3	HEXAGON FLANGE BOLT	ISO4162 M8X1.25X90-8 FLZN1
30	71479178	1	ALTERNATOR	320A

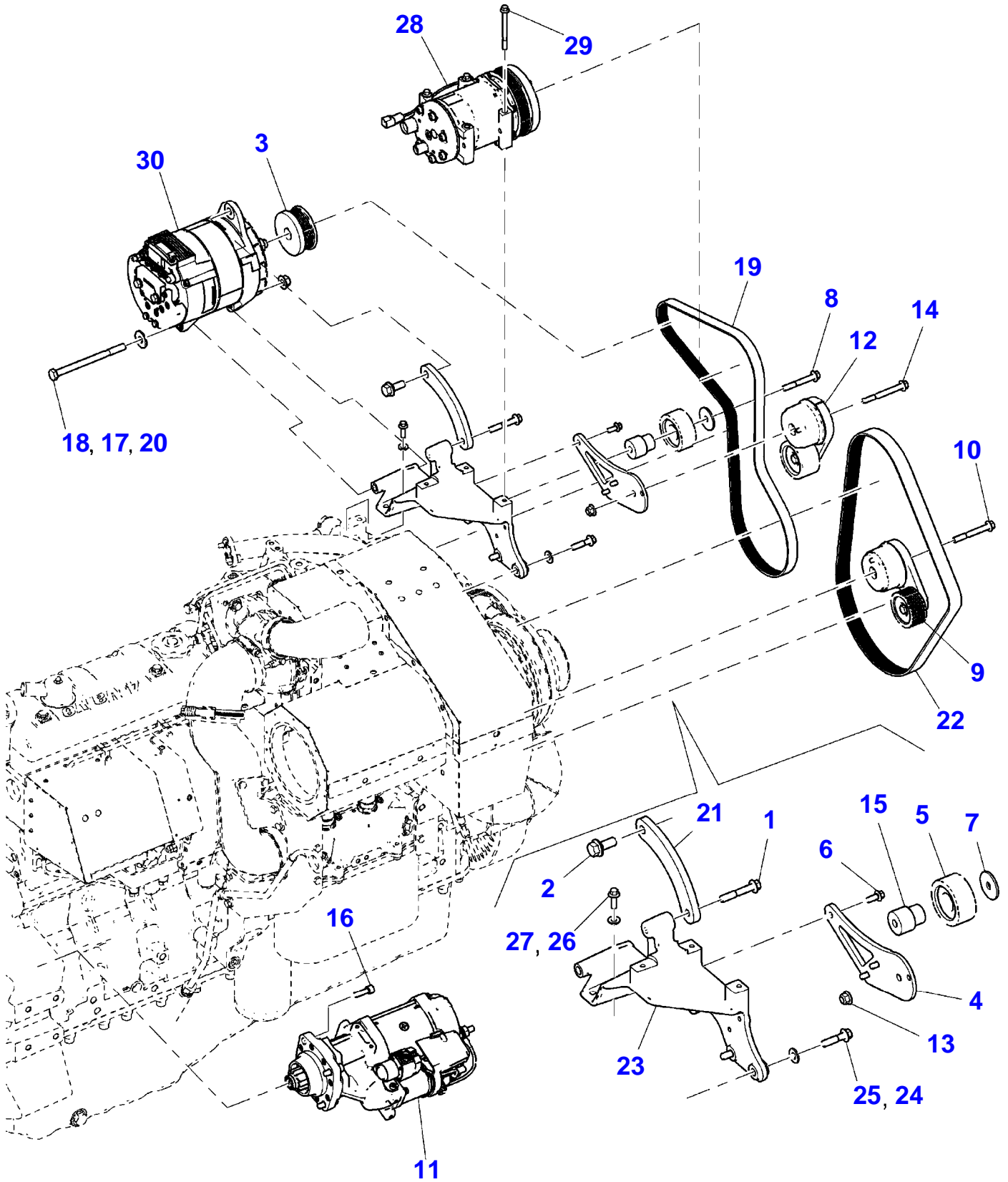
IDEAL CLASS 7 COMBINE
20690729-H-1



20690729-H-1

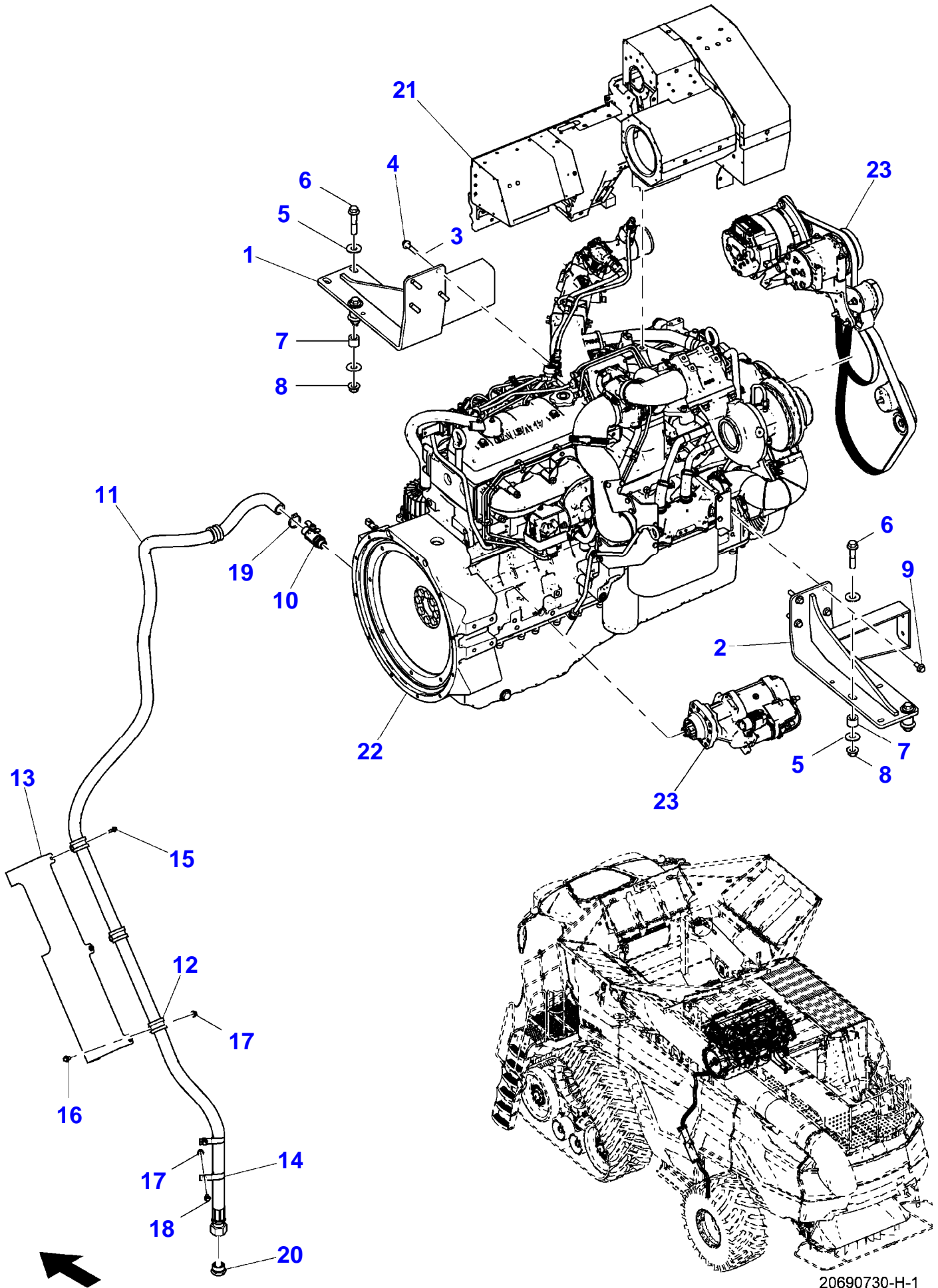
Item	Part Number	Qty	Description Comments	Technical Specification
1	ACW1762570	1	OIL DRAIN VALVE	
2	ACW1930340	1	OIL DRAIN HOSE	
3	ACW1135600	4	CLAMP	?35 MM
4	ACW115446A	1	SHIELD	
5	70937684	2	J-CLIP	1-1/4" ID X .406" HOLE
6	ACW1041160	6	HEXAGON FLANGE BOLT	ISO4162 M6X1X20-8 FLZN1
7	ACW1041210	3	HEXAGON FLANGE BOLT	ISO4162 M8X1.25X20-8 FLZN1
8	ACW1023930	5	HEX FLANGE NUT	EN1661 M8X1.25-10 FLZN1
9	ACW1041130	2	HEXAGON FLANGE BOLT	ISO4162 M8X1.25X16-8 FLZN1
10	70921912	1	HOSE CLAMP	1.06"-2.0" DIA
11	AG519380	1	PLUG	
12	ACW4989210	1	INSULATION	
13	ACW1971090	1	ENGINE	
14		1	SEE PAGE 01-0005	
15	ACW7581510	1	STARTER	24V, SAE 1

IDEAL CLASS 7 COMBINE
20691218-H-1



Item	Part Number	Qty	Description Comments	Technical Specification
1	ACW1040840	1	HEXAGON FLANGE BOLT	M10 X 60 (1.5) ISO 10 FLZN1
2	700710984	1	HEXAGON FLANGE BOLT	1/2"-13 X 1-1/4", GR8, FT
3	ACW1760990	1	ALTERNATOR SHEAVE	
4	ACW1828100	1	IDLER PLATE	
5	ACW1856350	1	IDLER	75 X 32.5
6	ACW1041210	3	HEXAGON FLANGE BOLT	ISO4162 M8X1.25X20-8 FLZN1
7	ACW1628350	1	FLAT WASHER	ISO887CZ 10-200HV FLZN1
8	ACW1040860	1	HEXAGON FLANGE BOLT	ISO4162 M10X1.5X70-10 FLZN1
9	ACW0701140	1	BELT TENSIONER	8 RIB
10	ACW1040870	1	HEXAGON FLANGE BOLT	ISO4162 M10X1.5X80-10 FLZN1
11	ACW7581510	1	STARTER	24V, SAE 1
12	ACW1856410	1	BELT TENSIONER	
13	ACW1027150	1	HEX NUT	ISO7044 M10X1.5-8 FLZN1
14	ACW1040880	1	HEXAGON FLANGE BOLT	ISO4162 M10X1.5X90-10 FLZN1
15	ACW1856380	1	IDLER SHAFT	
16	ACW1066510	3	SOCKET HEAD SETSCREW	ISO4762 M10X1.5X30-10 FLZN1
17	ACW1628580	1	FLAT WASHER	ISO887CZ 12-200HV FLZN1
18	ACW1955890	1	HEXAGONAL BOLT	DIN931 M12X1.75X160-10 FLZN1
19	ACW1752870	1	ACCESSORY DRIVE BELT	CL7
20	ACW1027160	1	HEX FLANGE TOP LOCK NUT	ISO7044 M12X1.75-8 FLZN1
21	ACW1856390	1	ALTERNATOR MOUNT	
22	ACW1752880	1	WATER PUMP BELT	CL7
23	ACW1856370	1	SUPPORT	
24	ACW1066970	2	BELLEVILLE WASHER	DIN6796 10X23X2.5 FLZN1
25	ACW1040810	2	HEXAGON FLANGE BOLT	ISO4162 M10X1.5X40-10 FLZN1
26	ACW1066960	2	BELLEVILLE WASHER	DIN6796 8X18X2 FLZN1
27	ACW1493700	2	HEXAGON FLANGE BOLT	ISO4162 M8X1.25X25-10 FLZN1
28	ACW0479310	1	COMPRESSOR	
29	ACW1041300	3	HEXAGON FLANGE BOLT	ISO4162 M8X1.25X90-8 FLZN1
30	71479178	1	ALTERNATOR	320A

IDEAL CLASS 7 COMBINE
20690730-H-1



20690730-H-1

Buy Now



Our support email:

ebooklibonline@outlook.com