

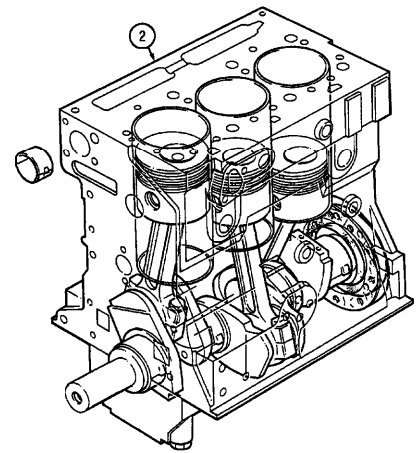
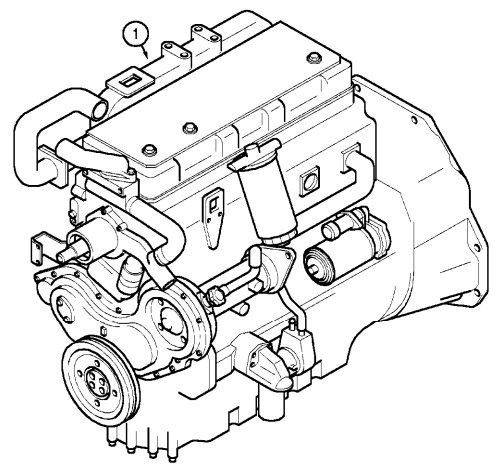
2 - engine

C Series - C50, C60

mcc\DI98N032.png

2
-
3
3
2003

Engines



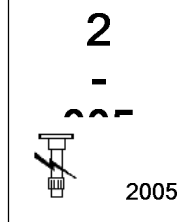
- 1 221962A1 ● N.L.A.(1)
- ;
- 1 221963A1 ● N.L.A.(1)
- ;
- 2 329624A1 ;
- 2 329625A1 ;
- Replacement

Inglese

- 1 Engine assy
- 1 Engine assy
- 1 Engine, skeleton
- 1 Engine, skeleton

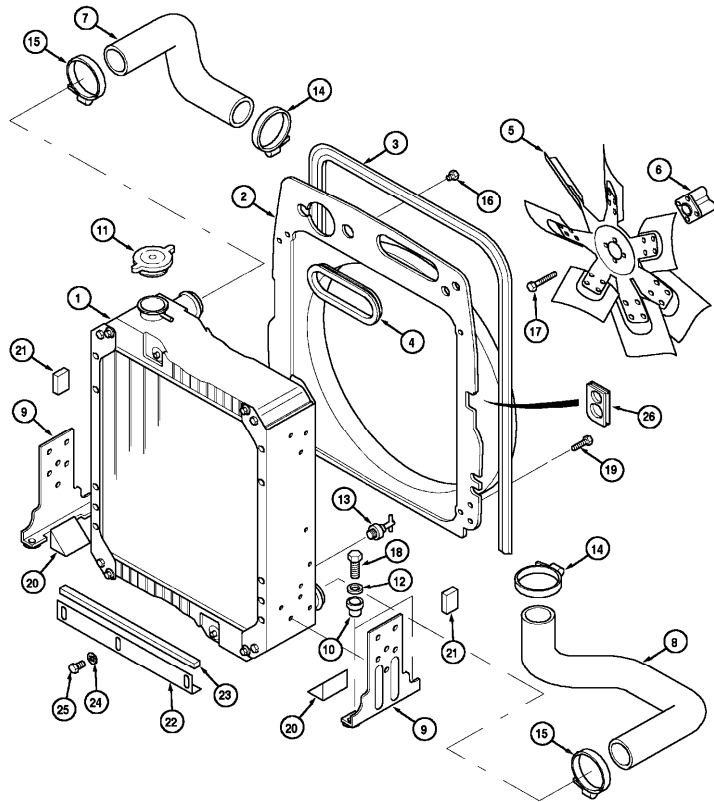
2 - engine

C Series - C50, C60



Radiator and connections

mcc\DI98D196.png




		Inglese
1	222890A5	● 303494A4(1) 1 Radiator assy
		;
2	233071A7	1 Shroud
3	229041A5	1 Seal
4	246478A4	1 Seal
5	249461A2	1 Fan
6	255227A1	1 Spacer
7	234493A4	;
		1 Hose
8	225109A6	● 225109A7(1) 1 Hose
		;
9	236119A3	2 Bracket
10	D52276	4 Insulator
11	A170241	● 710829A1(1) 1 Cap
		;
12	495-71041	;
		4 Washer
13	217-103	;
		1 Tap
14	214-1432	;
		2 Clamp
15	214-1440	;
		2 Clamp
16	217-428	;
		1 Plug, hex
17	844-8060	;
		4 Bolt
18	814-10040	;
		4 Bolt
19	844-8016	● 2314H002(10) 10 Bolt
		;
20	231504A1	;
		2 Seal
21	235898A1	;
		2 Seal

2 - engine

C Series - C50, C60

2

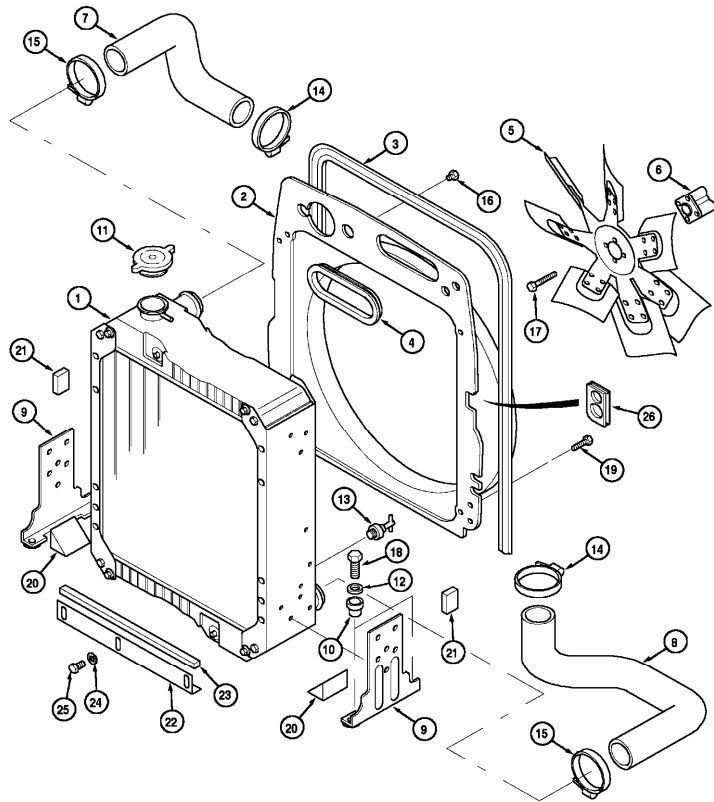
-
-
-



2005

Radiator and connections

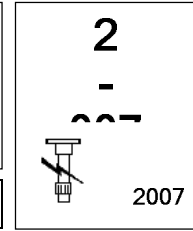
mcc\DI98D196.png



- | | | Inglese |
|----|-------------|-----------|
| 22 | 245392A4 ; | 1 Bracket |
| | ; | |
| 22 | 259253A2 ; | 1 Bracket |
| | ; | |
| 23 | 252823A3 | 1 Seal |
| 24 | 895-11006 ; | 3 Washer |
| 25 | 614-6012 ; | 3 Bolt |
| 26 | 243455A2 | 1 Seal |
| ● | Replacement | |

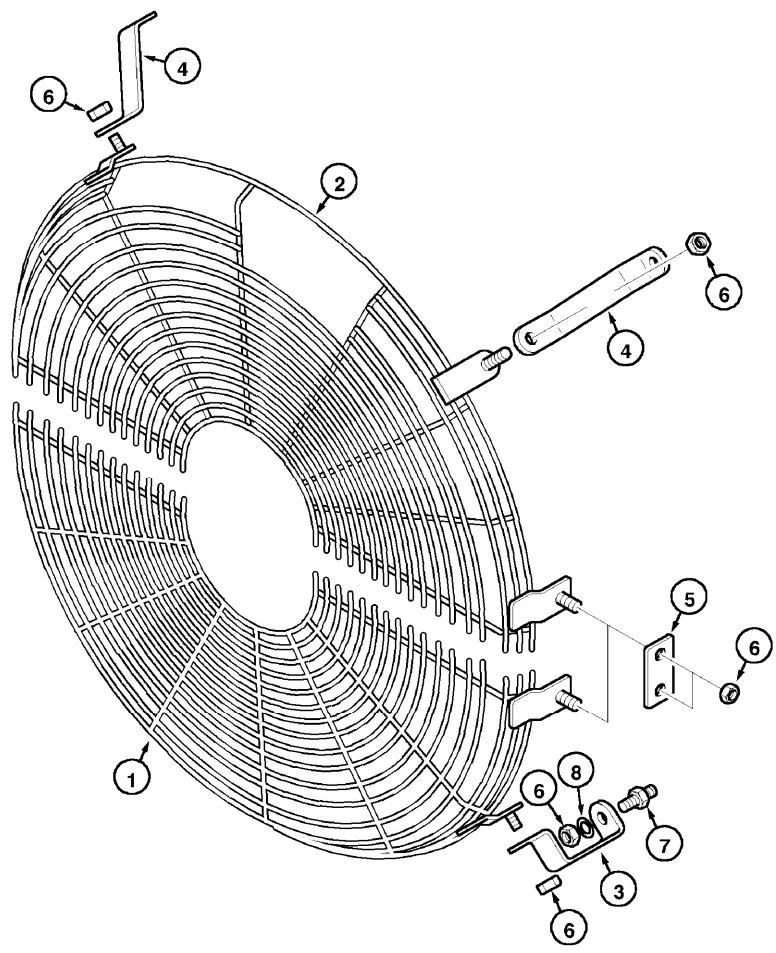
2 - engine

C Series - C50, C60



Fan shields

mcc\DI00E119.png



- 1 311246A1 ;
- 2 315162A1 ;
- 3 311244A2
- 4 311245A1
- 5 311242A1
- 6 825-2408 ;
- 7 353342A1 ;
- 8 895-11008 ;

Inglese

- 1 Guard assy
- 1 Guard assy
- 2 Bracket
- 2 Bracket
- 2 Strap
- 10 Nut
- 2 Stud
- 4 Washer

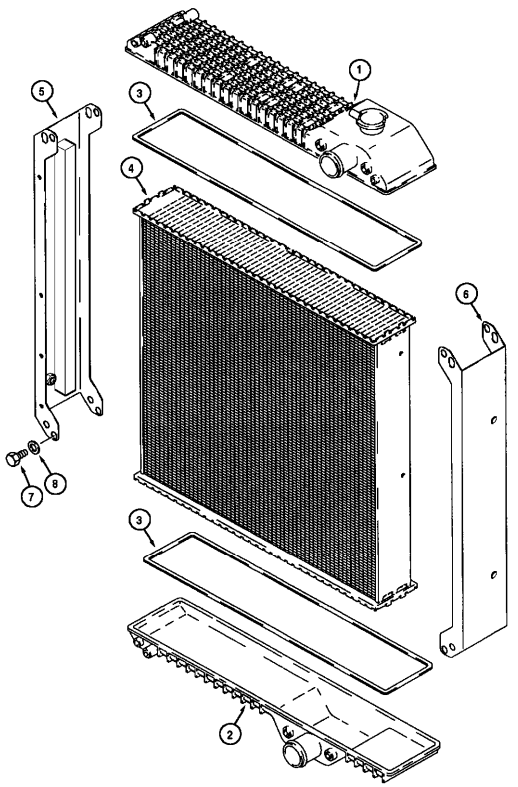
2 - engine

C Series - C50, C60

2
-
3
3
2009

Radiator assembly

mcc\DI97E241.png

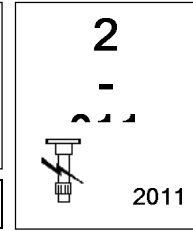


		Inglese
1	282229A1 ;	1 Tank
2	282230A1 ;	1 Tank
3	NSS	2 Gasket, mounting
4	NSS	1 Core
5	195386A1 ;	1 Bracket
6	195387A1 ;	1 Bracket
7	NSS	8 Bolt
8	NSS	8 Washer
200	222890A5 ● 303494A4(1)	1 Radiator assy
	;	
	;	
201	222841A1 ● 2645A617(2)	1 Package, gaskets
	;	
	;	
	;	
	● Replacement	

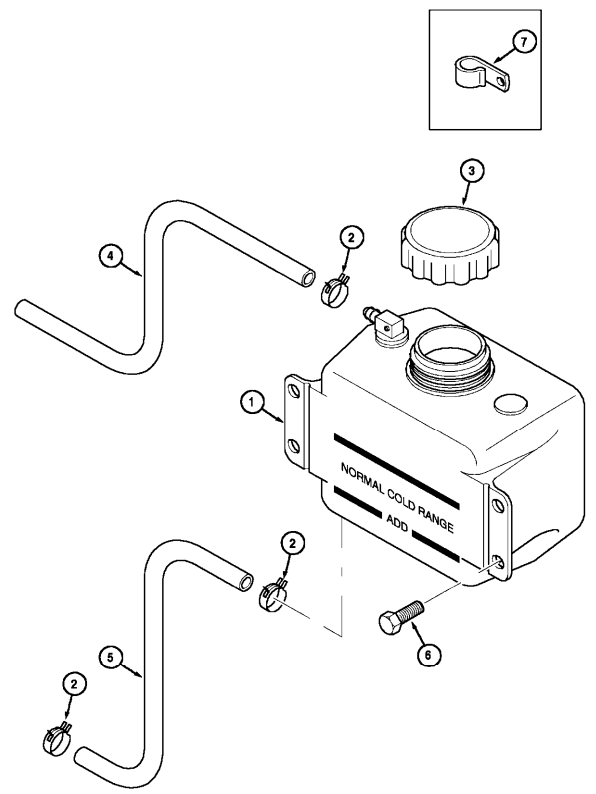
2 - engine

C Series - C50, C60

mcc\DI98D145.png



Coolant recovery system



		Inglese	
1	258621A2	● 452813A1(1)	1 Reservoir
		;	
2	A171099		3 Clamp
3	1547924C1	● 440729A1(1)	1 Cap
4	253927A1	;	1 Hose
		;	
5	238879A2	;	1 Hose
		;	
6	844-8016	● 2314H002(4)	4 Bolt
		;	
7	515-22127	;	3 Clamp
200	194881A1	;	0 Hose
		;	
		● Replacement	

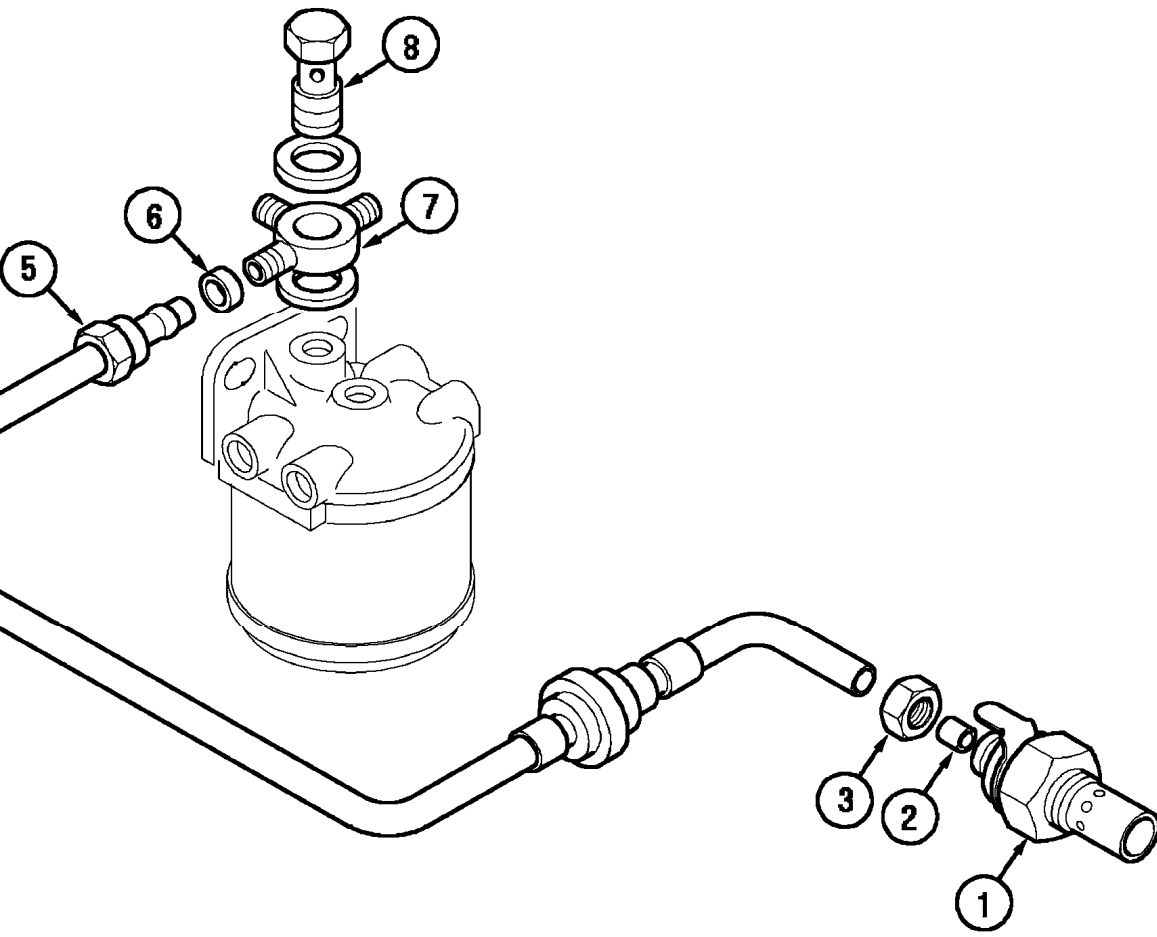
2 - engine

C Series - C50, C60

mcc\DI97N019.png

2
-
2013

Thermostart attachment - europe only



1 477616

- 2 ;
- 2 ;
- .1 ;
- .1
- .1
- .1 ● 3218R013(1)

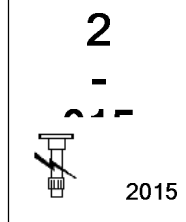
ement

Inglese

- 1 Element
- 1 Seal
- 1 Nut
- 1 Tube
- 1 Tube
- 1 Nut
- 1 Sleeve
- 1 Connector
- 1 Screw

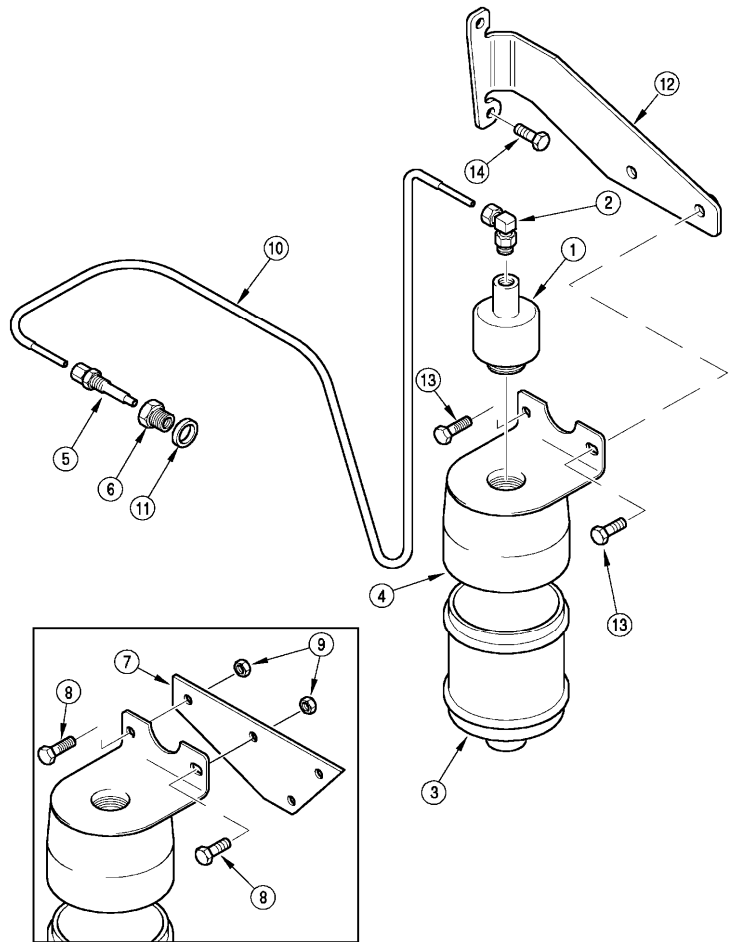
2 - engine

C Series - C50, C60



Ether starting - n.a. only

mcc\DI99D081.png



- 1 NSS
- 2 222-615 ;
- 3 190752A1 ;
- 4 NSS
- 5 A171946 ● N.L.A.(1)
- 6 322177A1
- 7 302841A2
- 8 844-8025 ● 2314H004(4)
- 9 825-2408 ;
- 10 303008A1 ;
- 11 307762A1
- 12 336769A1
- 13 844-8012 ;
- 14 844-12060 ;
- 200 185552A2 ;

● Replacement

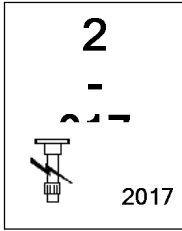
Inglese

- 1 Solenoid
- 1 Elbow, 90
- 1 Cartridge
- 1 Housing
- 1 Nozzle
- 1 Reducer
- 1 Bracket
- 4 Bolt
- 4 Nut
- 1 Tube
- 1 Seal, copper
- 1 Bracket assy
- 2 Bolt
- 2 Bolt
- 1 Solenoid assy

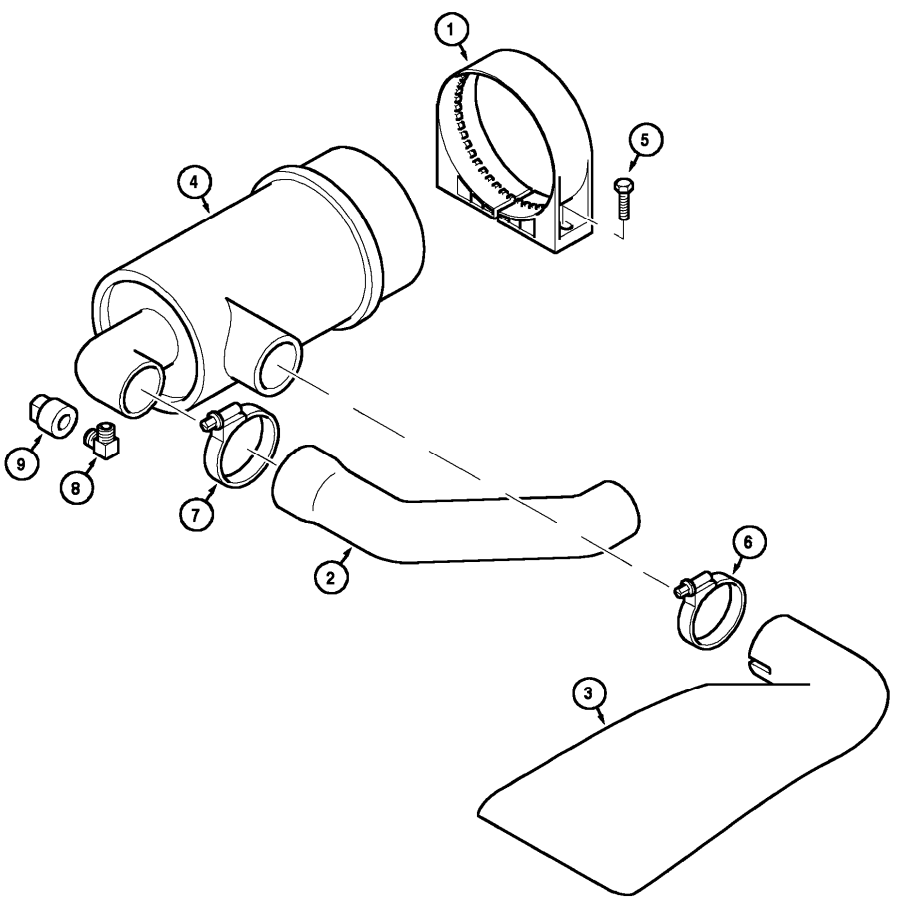
2 - engine

C Series - C50, C60

mcc\DI97G036.png



Air cleaner and connections



- 1 235298A1
- 2 227264A3 ;
- 2 227265A3 ;
- 3 244349A3
- 4 134439A1 ;
- 5 844-8025 ● 2314H004(2)
- 6 214-1444 ;
- 7 214-1432 ;
- 8 217-1227 ;
- 9 279492A1 ;
- Replacement

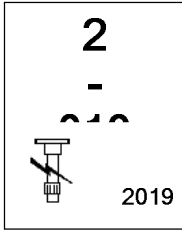
Inglese

- 1 Bracket
- 1 Hose
- 1 Hose
- 1 Duct
- 1 Air cleaner assy
- 2 Bolt
- 2 Clamp
- 1 Clamp
- 1 Elbow, 90
- 1 Switch

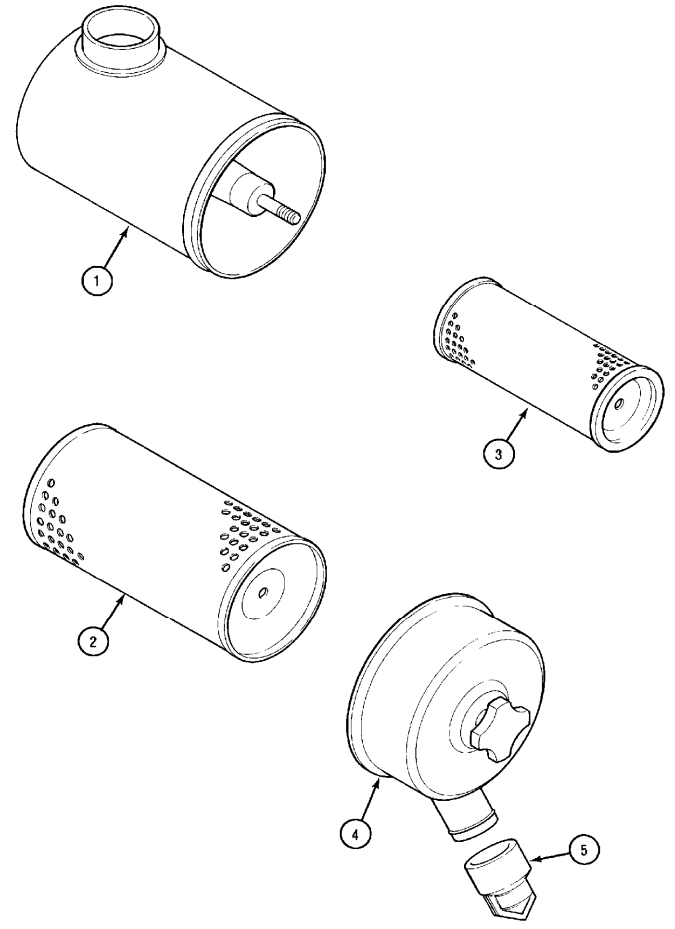
2 - engine

C Series - C50, C60

mcc\DI97G037.png



Air cleaner



- 1 NSS
- 2 133720A1 ;
- 3 133721A1 ;
- 4 133723A1
- 5 A184597 ● 3311436M1(1)
- 200 134439A1 ;
- Replacement

Inglese

- 1 Body
- 1 Element
- 1 Element
- 1 Cover
- 1 Valve, dust
- 1 Air cleaner assy

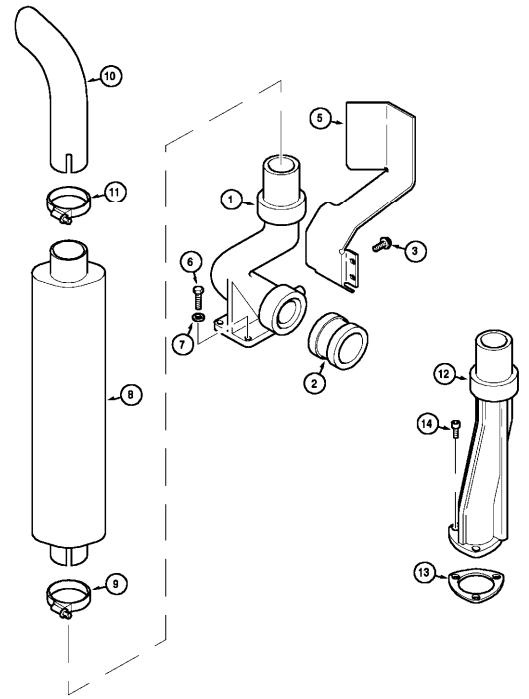
2 - engine

C Series - C50, C60

2
3 -
2021

Vertical exhaust

mcc\DI98D123.png



1	251916A1	;		
2	252006A1	;		
3	844-8016	●	2314H002(2)	
		;		
5	252243A3	;		
6	614-10030	;		
7	896-11010	;		
8	282084A2	;		
9	283249A1			
10	283508A1	;		
10	283509A1	;		
11	283250A2			
12	235056A1	;		
13	235838A1	●	3682A005(1)	
14	864-10030	;		
●	Replacement			

Inglese

- 1 Elbow
- 1 Sleeve
- 2 Bolt
- 1 Shield
- 3 Bolt
- 2 Washer
- 1 Muffler
- 1 Clamp
- 1 Extension
- 1 Extension
- 1 Clamp
- 1 Elbow
- 1 Seal
- 3 Screw

d198d123


2 - engine

C Series - C50, C60

mcc\DI98D159.png

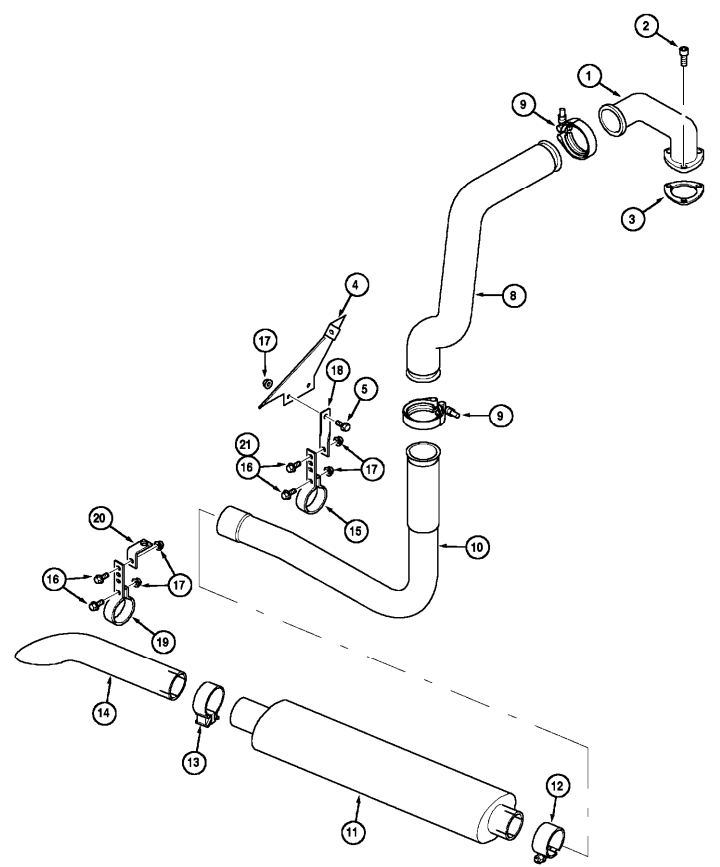
2

-
-
-
-



2023

Underslung exhaust - c50



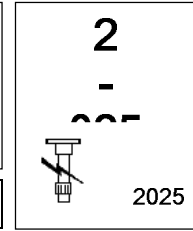
- 1 251918A1
- 2 864-10030 ;
- 3 235838A1 ● 3682A005(1)
- 4 299391A1
- 5 844-8020 ;
- 8 282253A2 ;
- 9 A170467
- 10 284167A1
- 11 282084A2 ;
- 12 283249A1
- 13 283250A2
- 14 283509A1 ;
- 15 311470A1 ;
- 16 844-10020 ;
- 17 825-2410 ;
- 18 282255A2
- 19 284085A1
- 20 284159A1
- 21 814-10040 ;
- Replacement

Inglese

- 1 Adapter
- 3 Screw
- 1 Seal
- 1 Baffle
- 3 Bolt
- 1 Pipe
- 2 Clamp
- 1 Pipe
- 1 Muffler
- 1 Clamp
- 1 Clamp
- 1 Extension
- 1 Support
- 2 Bolt
- 4 Nut, flange
- 1 Bracket
- 1 Support
- 1 Bracket
- 2 Bolt

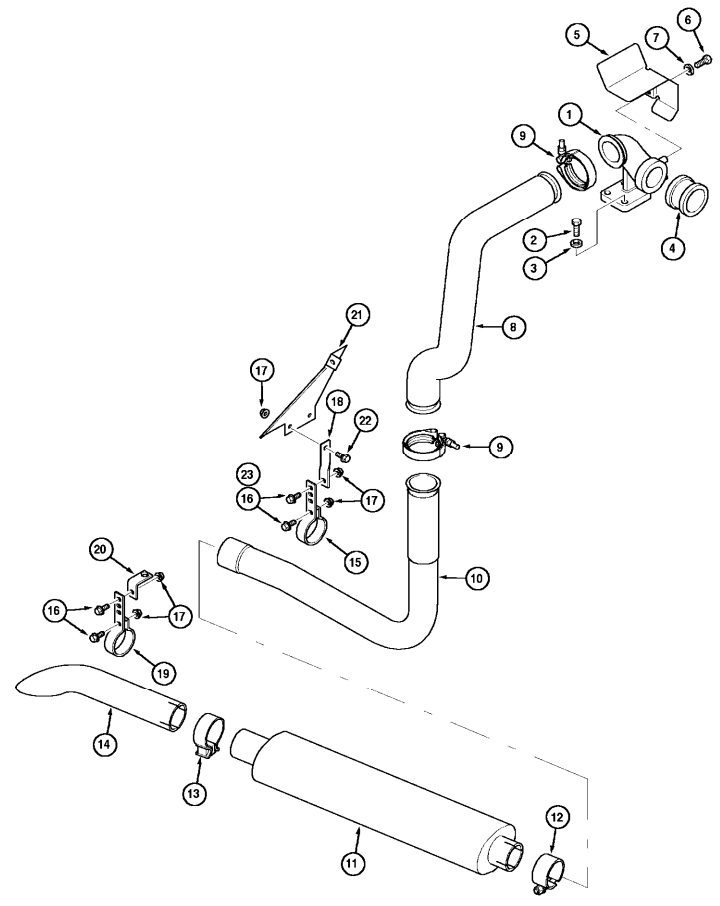
2 - engine

C Series - C50, C60



Underslung exhaust - c60

mcc\DI98D158.png



- 1 251919A1
- 2 614-10030 ;
- 3 896-11010 ;
- 4 252006A1
- 5 292038A2
- 6 614-8016 ;
- 7 896-11008 ;
- 8 282253A2 ;
- 9 A170467
- 10 284167A1
- 11 282084A2 ;
- 12 283249A1
- 13 283250A2
- 14 283509A1 ;
- 15 311470A1 ;
- 16 844-10020 ;
- 17 825-2410 ;
- 18 282255A2
- 19 284085A1
- 20 284159A1
- 21 299391A1
- 22 844-8020 ;
- 23 814-10040 ;

Inglese

- 1 Adapter
- 3 Bolt
- 3 Washer
- 1 Sleeve
- 1 Shield
- 2 Bolt
- 2 Washer
- 1 Pipe
- 2 Clamp
- 1 Pipe
- 1 Muffler
- 1 Clamp
- 1 Clamp
- 1 Extension
- 1 Support
- 2 Bolt
- 4 Nut, flange
- 1 Bracket
- 1 Support
- 1 Bracket
- 1 Baffle
- 3 Bolt
- 2 Bolt

Buy Now



Our support email:

ebooklibonline@outlook.com