

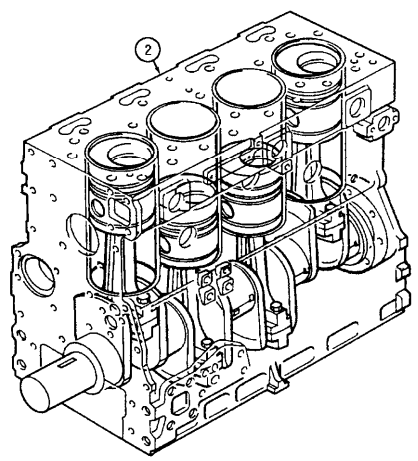
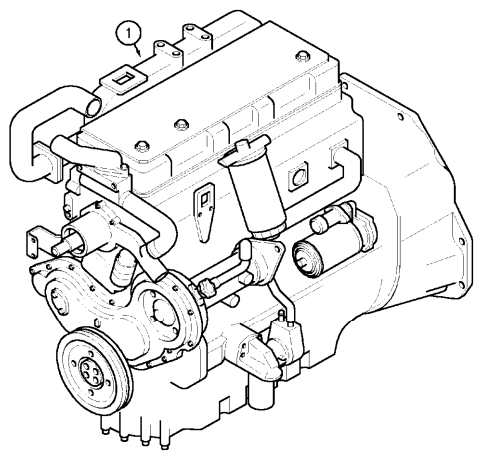
2 - engine

2
-
3
3
2003

Engines - tier 1

CX Series (2001-2007) - CX01-CX02 - CX75, CX85, CX95, CX105

mcc\DI98N033.png



| | | Inglese |
|---|------------|---------------|
| 1 | 245672A2 ; | 1 Engine assy |
| | ; | |
| | T-A 7:0 | |
| | T-B 26:0 | |
| 1 | 245673A3 ; | 1 Engine assy |
| | ; | |
| | T-A 7:0 | |
| | T-B 26:0 | |
| 1 | 245674A3 ; | 1 Engine assy |
| | ; | |
| | T-A 7:0 | |
| | T-B 26:0 | |
| 1 | 245675A3 ; | 1 Engine assy |
| | ; | |
| | T-A 7:0 | |
| | T-B 26:0 | |
| 1 | 700714A1 ; | 1 Engine assy |
| | ; | |
| | ; | |
| 1 | 700715A1 ; | 1 Engine assy |
| | ; | |
| | ; | |
| 1 | 700716A1 ; | 1 Engine assy |
| | ; | |
| | ; | |
| | ; | |

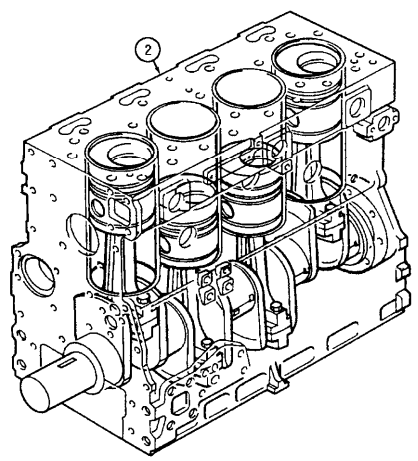
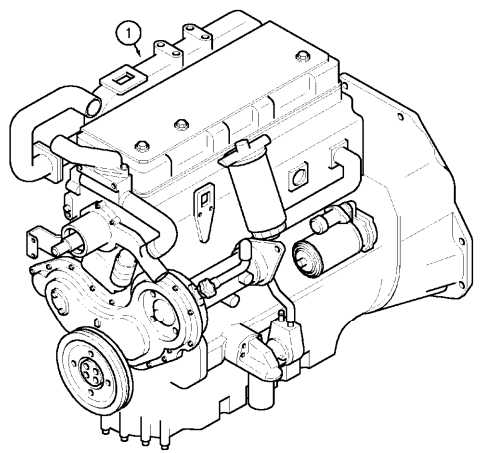
2 - engine

2
-
3
3
2003

Engines - tier 1

CX Series (2001-2007) - CX01-CX02 - CX75, CX85, CX95, CX105

mcc\DI98N033.png



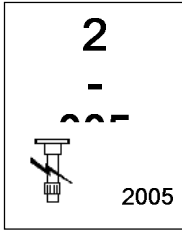
| | | Inglese |
|---|-----------------------|-----------------|
| 1 | 700717A1 ; | 1 Engine assy |
| | ; | |
| | ; | |
| 2 | 329622A1 ● AQ39201(1) | 1 Engine, basic |
| | ; | |
| | T-A 15:0 | |
| 2 | 329622A1 ● AQ39201(1) | 1 Engine, basic |
| | ; | |
| | T-A 15:0 | |
| 2 | 329622A1 ● AQ39201(1) | 1 Engine, basic |
| | ; | |
| | T-A 15:0 | |
| 2 | 446419A1 ; | 1 Engine, basic |
| | T-A 15:0 | |

● Replacement
T-A Replacement
T-B Overhaul

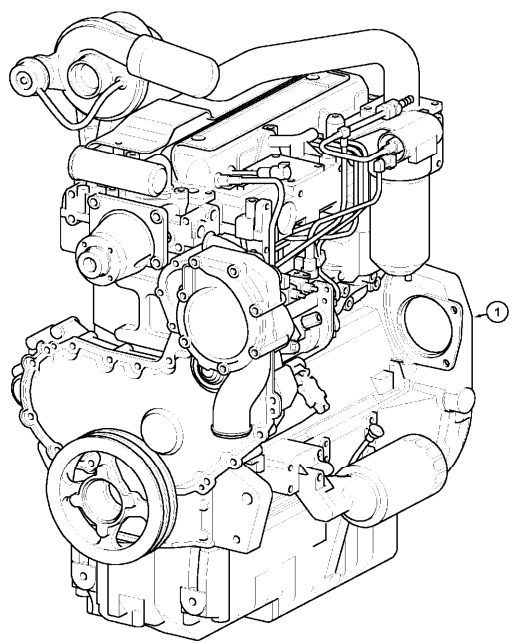
2 - engine

CX Series (2001-2007) - CX01-CX02 - CX75, CX85, CX95, CX105

mcc\MI04A009.png

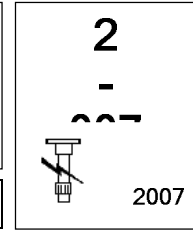


Engines - 1104 series - tier 2



| | | Inglese |
|---|------------|----------|
| 1 | 706681A1 ; | 1 Engine |
| | ; | |
| | ; | |
| | ; | |
| 1 | 706682A2 ; | 1 Engine |
| | ; | |
| | ; | |
| 1 | 706683A2 ; | 1 Engine |
| | ; | |
| | ; | |
| 1 | 706684A2 ; | 1 Engine |
| | ; | |
| | ; | |
| | ; | |
| | ; | |

2 - engine

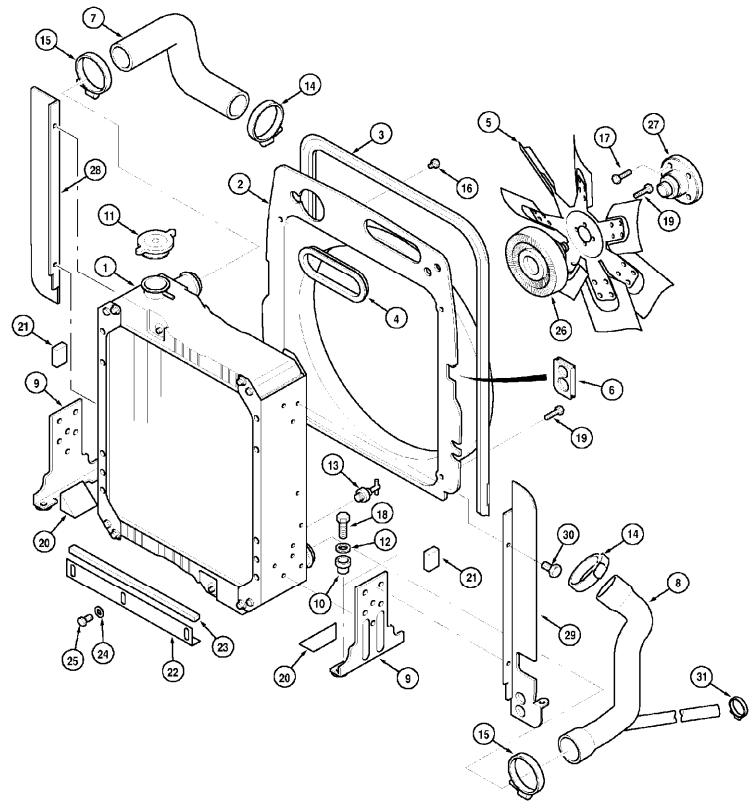


Radiator and connections

CX Series (2001-2007) - CX01-CX02 - CX75, CX85, CX95, CX105

2007

mcc\DI00K003.png



| | | Inglese | |
|---|----------|---------------|-----------------|
| 1 | 222890A5 | ● 303494A4(1) | 1 Radiator assy |
| | | : | |
| | | : | |
| 1 | 222892A5 | ● 303495A4(1) | 1 Radiator assy |
| | | : | |
| | | : | |
| 1 | 239979A3 | | 1 Radiator assy |
| | | : | |
| | | : | |
| 2 | 373772A1 | | 1 Shroud |
| 3 | 229041A5 | : | 1 Seal |
| 4 | 246478A4 | : | 1 Seal |
| 5 | 223825A2 | : | 1 Fan assy |
| 6 | 243455A2 | : | 1 Seal |
| 7 | 224814A4 | ● 224814A5(1) | 1 Hose |
| | | : | |
| | | : | |
| 7 | 706595A1 | : | 1 Hose |
| | | : | |
| | | : | |
| 8 | 324817A1 | : | 1 Hose |
| | | : | |
| | | : | |
| 8 | 335187A1 | : | 1 Hose |
| | | : | |
| | | : | |
| 8 | 346960A1 | : | 1 Hose |
| | | : | |
| | | : | |

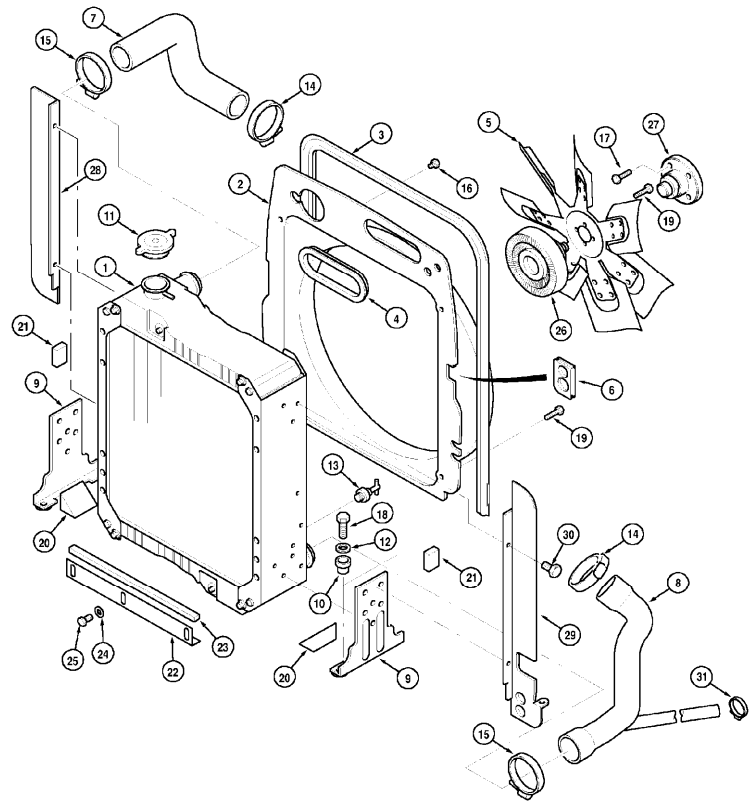
2 - engine

2
-
3
3
2009

Radiator and connections

CX Series (2001-2007) - CX01-CX02 - CX75, CX85, CX95, CX105

mcc\DI00K003.png



| | | Inglese |
|----|--------------------------|----------------|
| 13 | 217-92 ; | 1 Valve, drain |
| 14 | 214-1432 ; | 2 Clamp |
| 15 | 214-1440 ; | 2 Clamp |
| 16 | 217-428 ; | 1 Plug, hex |
| 17 | 844-8040 ; | 4 Bolt |
| 18 | 814-10040 ; | 4 Bolt |
| 19 | 844-8016 ● 2314H002(0) ; | 0 Bolt |
| 20 | 231504A1 ; | 2 Seal |
| 21 | 235898A1 ; | 2 Seal |
| 22 | 245391A4 ; | 1 Bracket |
| 22 | 245392A5 ; | 1 Bracket |
| 23 | 252823A3 ; | 1 Seal |
| 24 | 895-11006 ; | 3 Washer |
| 25 | 844-6012 ; | 3 Bolt |
| 26 | 226165A3 ; | 1 Drive assy |
| 26 | 246462A2 ; | 1 Drive assy |
| 27 | 230871A1 ; | 1 Adapter assy |
| 27 | 706507A1 ; | 1 Adapter assy |
| 28 | 313914A3 ; | 1 Bracket |
| 29 | 313913A5 ; | 1 Bracket |
| 29 | 704395A2 ; | 1 Bracket |

2 - engine

2
-
3
3
3
2009

Radiator and connections

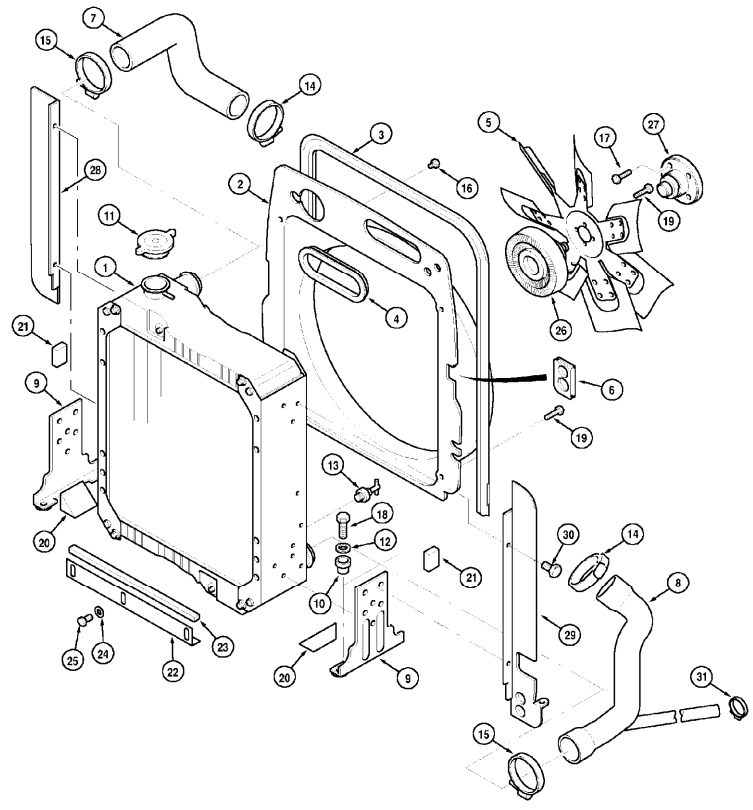
CX Series (2001-2007) - CX01-CX02 - CX75, CX85, CX95, CX105

mcc\DI00K003.png

Inglese

- 30 844-8012 ;
- 31 214-1410 ;
- Replacement

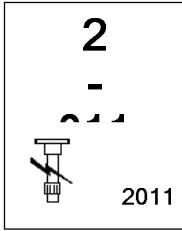
- 6 Bolt
- 1 Clamp



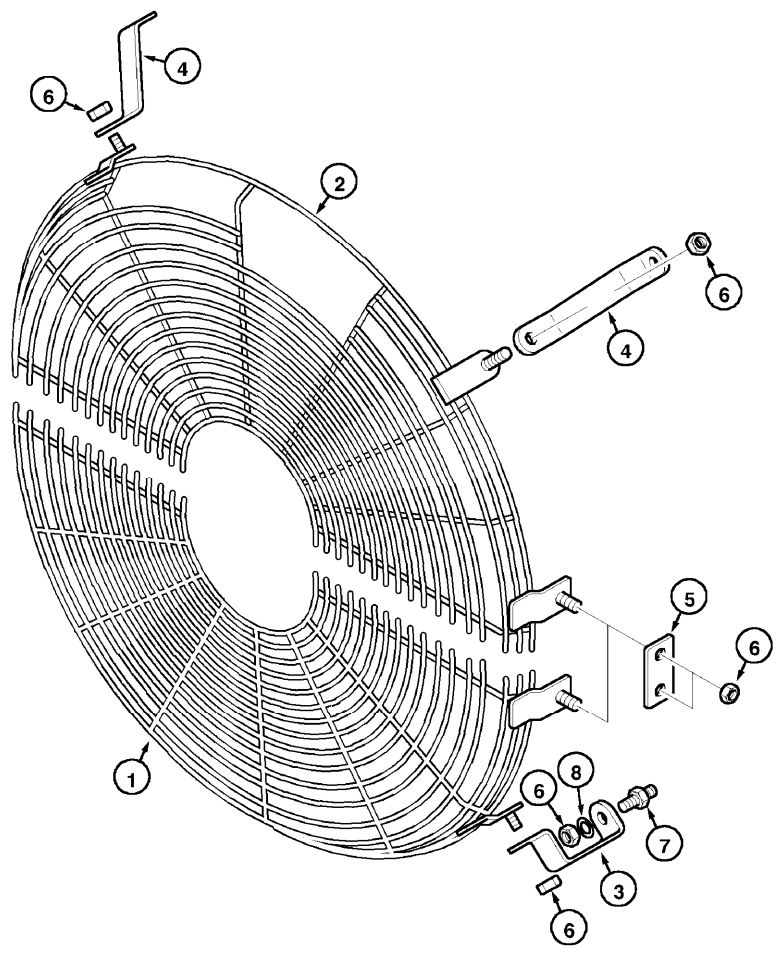
2 - engine

CX Series (2001-2007) - CX01-CX02 - CX75, CX85, CX95, CX105

mcc\DI00E119.png



Fan shields



- 1 311246A1 ;
- 2 315162A1 ;
- 3 311244A2
- 4 311245A1
- 5 311242A1
- 6 825-2408 ;
- 7 353342A1 ;
- 8 895-11008 ;

Inglese

- 1 Guard assy
- 1 Guard assy
- 2 Bracket
- 2 Bracket
- 2 Strap
- 8 Nut
- 2 Stud
- 4 Washer

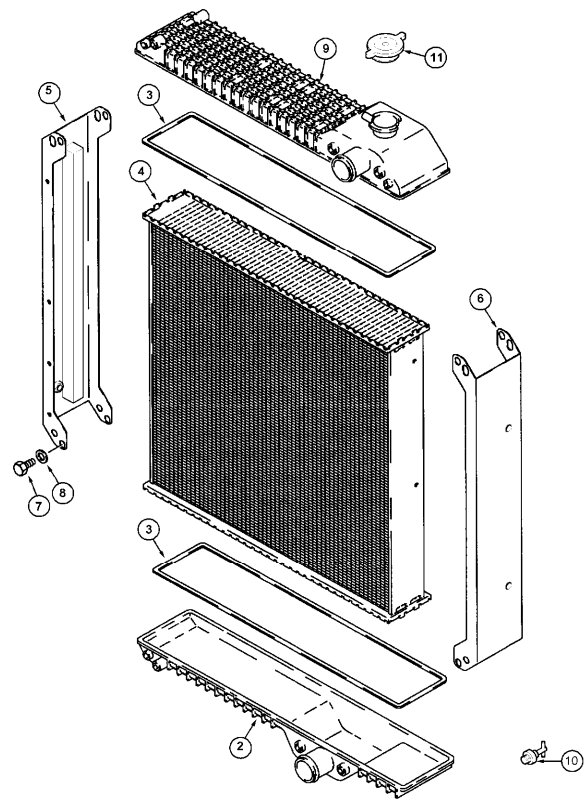
2 - engine

2
-
213
2013

Radiator

CX Series (2001-2007) - CX01-CX02 - CX75, CX85, CX95, CX105


mcc\MI06B063.png



| | | Inglese |
|----|------------|------------------|
| 1 | 303494A4 ; | 1 Radiator assy |
| | ; | |
| 1 | 303495A4 ; | 1 Radiator assy |
| | ; | |
| | ; | |
| 2 | NSS ; | 1 Tank |
| 3 | NSS ; | 2 Seal |
| 4 | NSS ; | 1 Core, radiator |
| 5 | NSS ; | 1 Bracket |
| 6 | NSS ; | 1 Bracket |
| 7 | NSS ; | 8 Bolt |
| 8 | NSS ; | 8 Washer |
| 9 | NSS ; | 1 Tank |
| 10 | 217-92 ; | 1 Valve, drain |
| 11 | 710829A1 ; | 1 Cap |

2 - engine

2

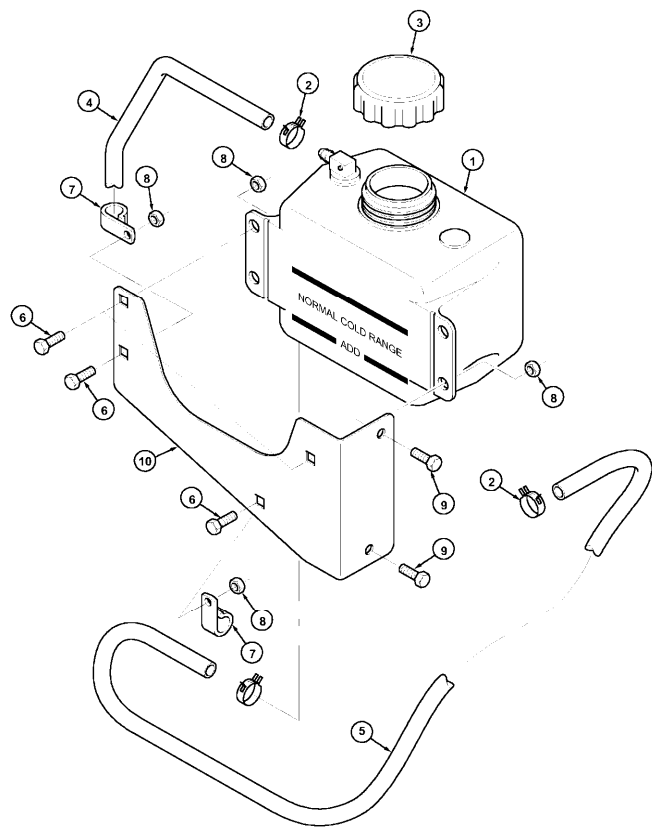


2015

Coolant recovery system

CX Series (2001-2007) - CX01-CX02 - CX75, CX85, CX95, CX105

mcc\MI03A113.png




- | | | Inglese |
|-----|-------------|---------------------------|
| 1 | 452814A1 | ● 452813A1(1) 1 Reservoir |
| 2 | A171099 | 3 Clamp |
| 3 | 452730A1 | 1 Cap |
| 4 | 303447A1 | 1 Hose |
| | | ; |
| | | ; |
| 5 | 253927A1 | 1 Hose |
| | | ; |
| | | ; |
| 6 | 844-8020 | 4 Bolt |
| 7 | 516-22127 | 2 Clip |
| 8 | 825-2408 | 4 Nut |
| | | ; |
| 9 | 844-8016 | ● 2314H002(2) 2 Bolt |
| | | ; |
| 10 | 302982A2 | 1 Bracket |
| 200 | 194881A1 | 1 Hose |
| | | ; |
| | | ; |
| ● | Replacement | |

2 - engine

CX Series (2001-2007) - CX01-CX02 - CX75, CX85, CX95, CX105

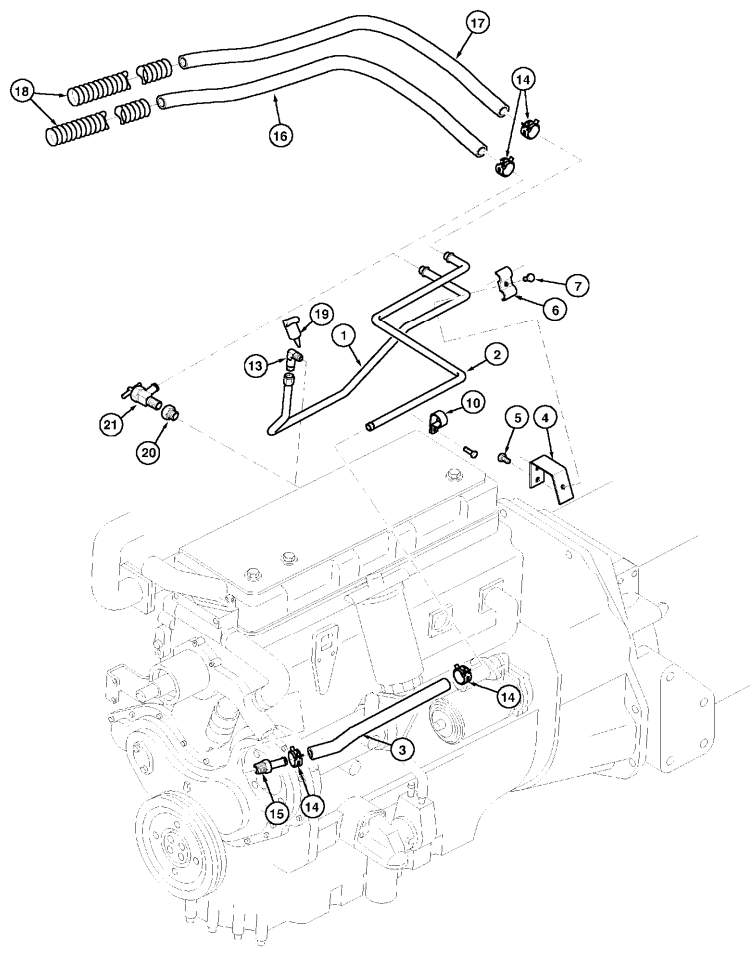
mcc\MI02L088.png

2



2017

Heater hoses




- 20 221-1092
- 21 301803R1

Inglese

- 1 Reducer
- 1 Valve, shut-off

2 - engine

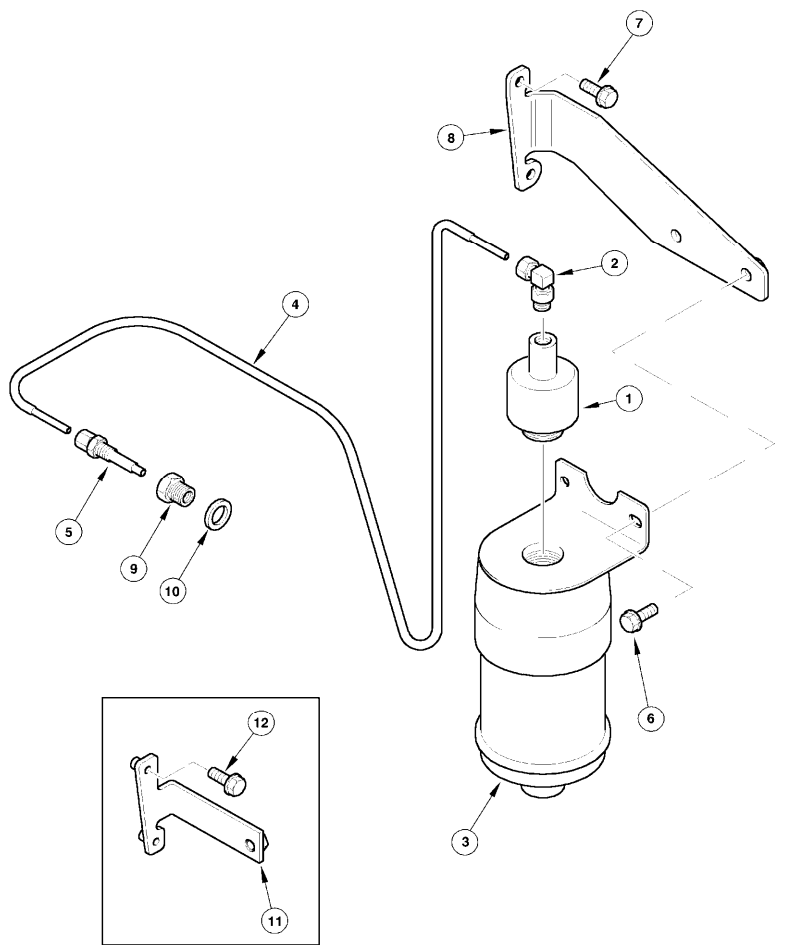
2
-
2019



Ether starting

CX Series (2001-2007) - CX01-CX02 - CX75, CX85, CX95, CX105

mcc\MI02L089.png

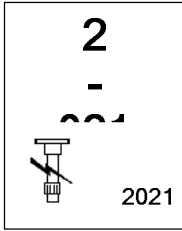


- | | | | | |
|----|-------------|---|-------------|-----------------|
| 1 | 185552A2 | ; | Inglese | 1 Solenoid assy |
| | | ; | | |
| 2 | 222-615 | ; | | 1 Elbow, 90 |
| 3 | 190752A1 | ; | | 1 Cartridge |
| 4 | 303008A1 | ; | | 1 Tube |
| 5 | A171946 | ● | N.L.A.(1) | 1 Nozzle |
| 6 | 844-8016 | ● | 2314H002(2) | 2 Bolt |
| | | ; | | |
| 7 | 844-12060 | ; | | 2 Bolt |
| 8 | 336769A1 | | | 1 Bracket assy |
| 9 | 322177A1 | | | 1 Reducer |
| 10 | 307762A1 | | | 1 Seal, copper |
| 11 | 291586A1 | ; | | 1 Bracket |
| 12 | 844-12080 | ; | | 2 Bolt |
| ● | Replacement | | | |

2 - engine

CX Series (2001-2007) - CX01-CX02 - CX75, CX85, CX95, CX105

mcc\MI04E061.png

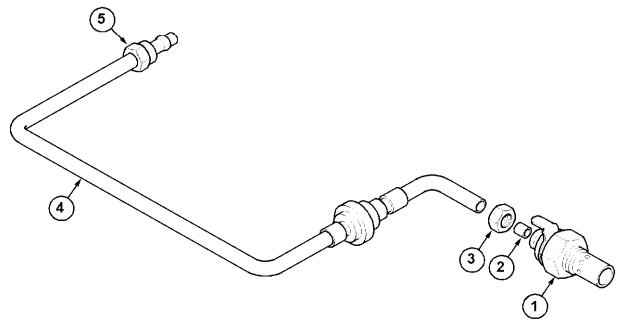


Thermostart attachment - europe only

- 1 A77616
- 2 A77613
- 3 A77614 ;
- 4 298118A2 ;
- 5 298120A1 ;

Inglese

- 1 Element
- 1 Seal
- 1 Nut
- 1 Tube
- 1 Nut



Buy Now



Our support email:

ebooklibonline@outlook.com