


2 - engine

MC Series (2002-2007) - MC01 - MC (4 Cyl)

mcc\DI98N033.png

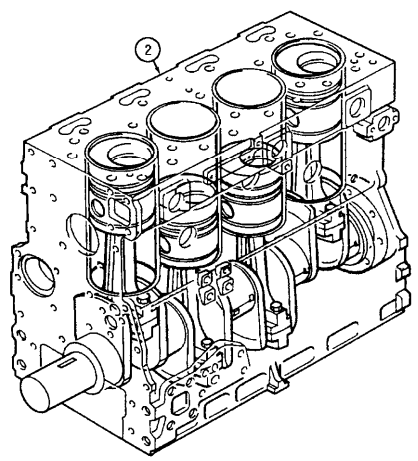
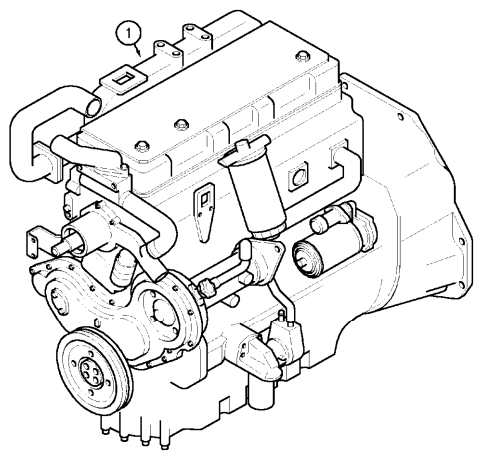
2

-
3
3



2003

Engines



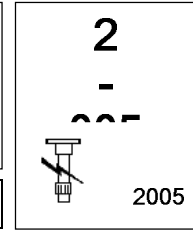
- 1 278538A3 ;
- 1 278539A3 ;
- 1 278540A3 ;
- 1 361197A1 ;
- 2 329622A1 ● AQ39201(1)
- Replacement

Inglese

- 1 Engine
- 1 Engine
- 1 Engine
- 1 Engine
- 1 Engine, basic

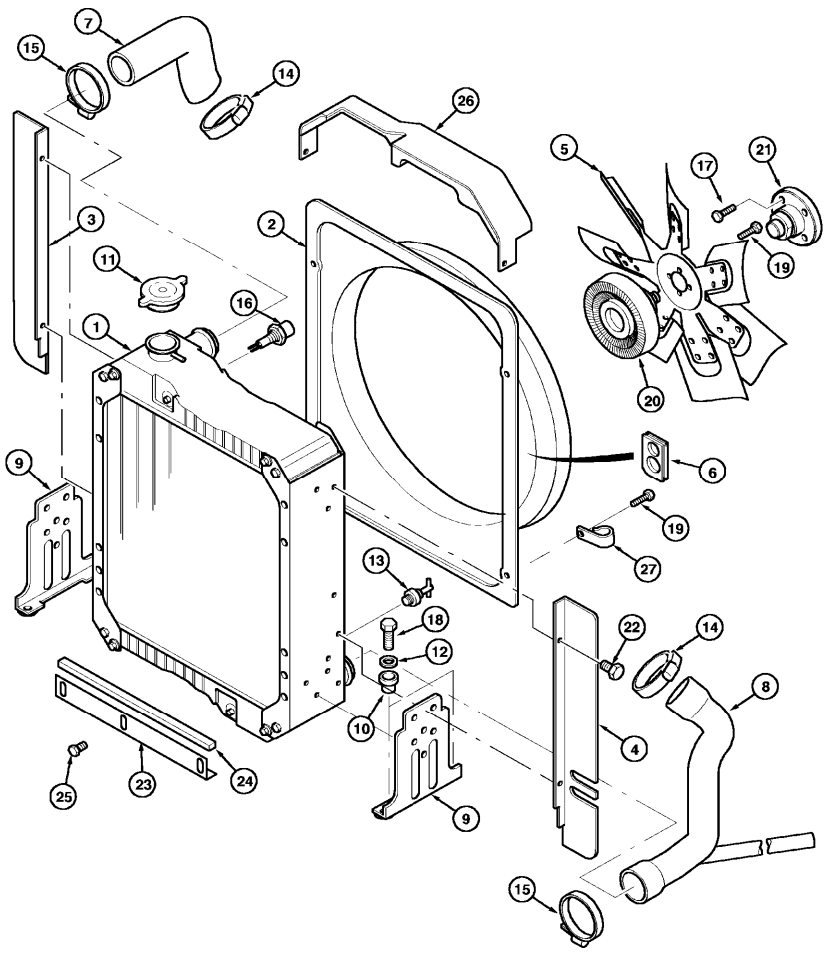
2 - engine

MC Series (2002-2007) - MC01 - MC (4 Cyl)



Radiator and connections

mcc\MI02G002.png

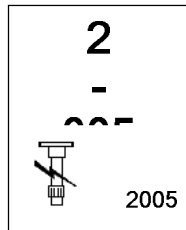


		Inglese
1	239979A3 ;	1 Radiator assy
	;	
	;	
1	330733A2 ● 366507A4(1)	1 Radiator assy
	;	
	;	
2	298170A2 ● 713660A1(1)	1 Shroud
	;	
2	378708A2	1 Shroud
	;	
3	313914A3	1 Bracket
4	313913A3	1 Bracket
	;	
5	223825A2	1 Fan assy
	;	
6	243455A2	1 Seal
	;	
7	224814A4 ● 224814A5(1)	1 Hose
	;	
	;	
7	357971A1	1 Hose
	;	
	;	
8	324818A1	1 Hose
	;	
	;	
8	361220A2	1 Hose
	;	
	;	
9	236119A3	2 Bracket
10	D52276	4 Insulator

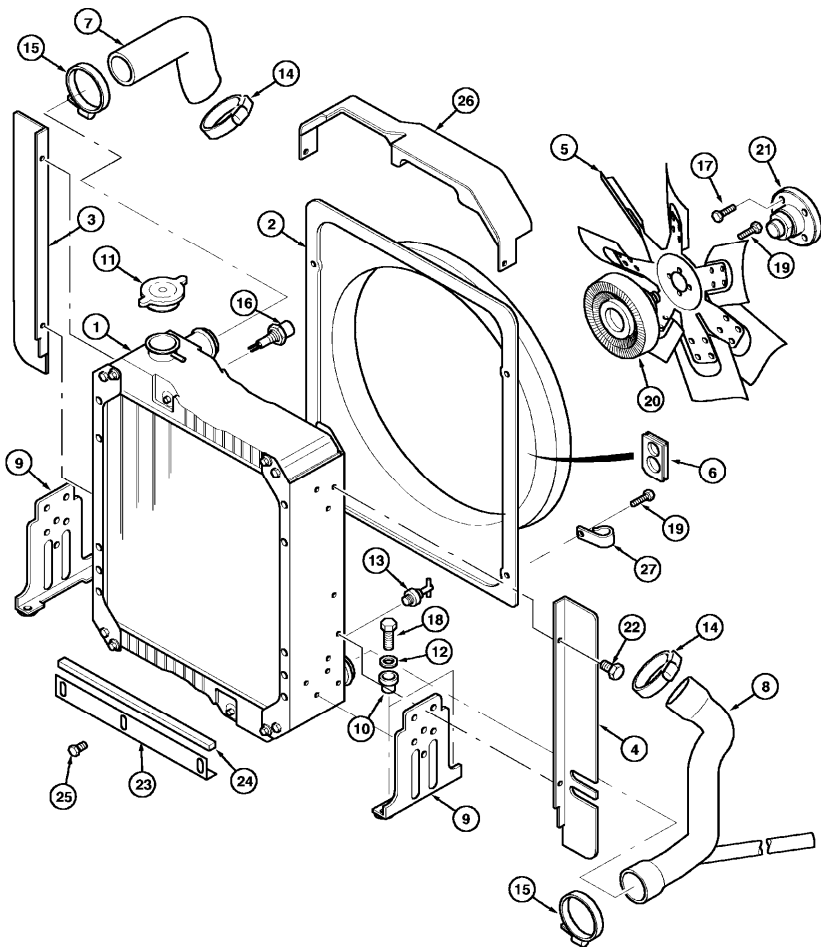
2 - engine

MC Series (2002-2007) - MC01 - MC (4 Cyl)

mcc\MI02G002.png



Radiator and connections



- 11 A170241 ● 710829A1(1)
- 12 234122A1 ;
- 13 217-92 ;
- 14 214-1432 ;
- 15 214-1440 ;
- 16 143417A3 ;
- 17 844-8025 ● 2314H004(4)
- 18 614-10040 ;
- 19 844-8016 ● 2314H002(8)

Inglese

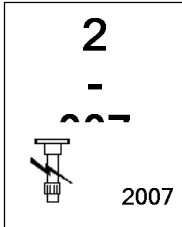
- 1 Cap
- 4 Washer
- 1 Valve, drain
- 2 Clamp
- 2 Clamp
- 1 Sensor
- 4 Bolt
- 4 Bolt
- 8 Bolt

● Replacement

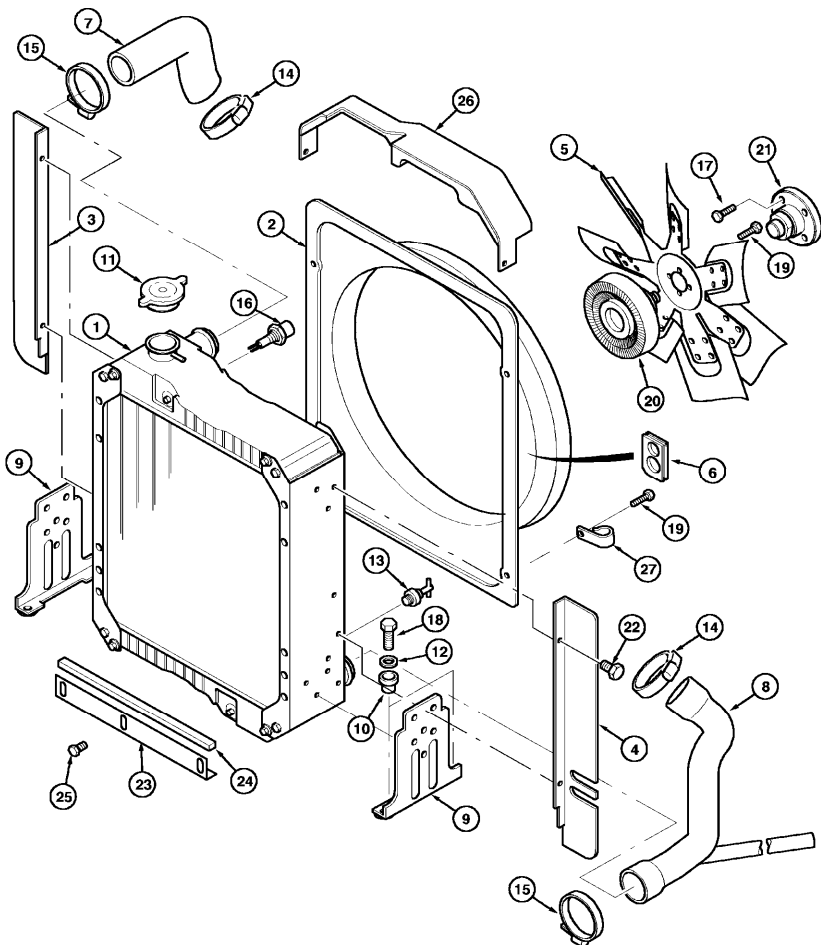
2 - engine

MC Series (2002-2007) - MC01 - MC (4 Cyl)

mcc\MI02G002.png



Radiator and connections



- 20 226165A3 ;
- 20 246462A2 ;
- 20 379140A1 ;
- 21 230871A1 ;
- 22 844-8012 ;
- 23 245391A4 ;
- 24 252823A3 ;
- 25 844-6012 ;
- 26 308522A1 ;
- 27 516-22158 ;

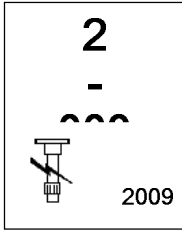
Inglese

- 1 Drive assy
- 1 Drive assy
- 1 Drive assy
- 1 Adapter assy
- 4 Bolt
- 1 Bracket
- 1 Seal
- 3 Bolt
- 1 Seal assy
- 1 Clamp

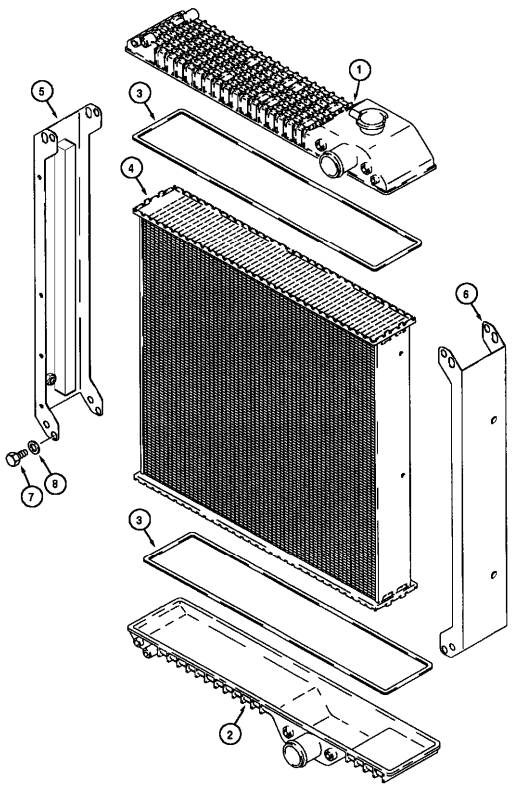
2 - engine

MC Series (2002-2007) - MC01 - MC (4 Cyl)

mcc\DI97E241.png



Radiator - mc80, mc90, mc100



- 1 282229A1 ;
- 2 282230A1 ;
- 3 NSS
- 4 NSS
- 5 282233A2 ;
- 6 282234A2 ;
- 7 NSS
- 8 NSS
- 200 239979A3 ;

Inglese


- 1 Tank
- 1 Tank
- 2 Seal
- 1 Core
- 1 Bracket
- 1 Bracket
- 8 Bolt
- 8 Washer
- 1 Radiator assy

2 - engine

MC Series (2002-2007) - MC01 - MC (4 Cyl)

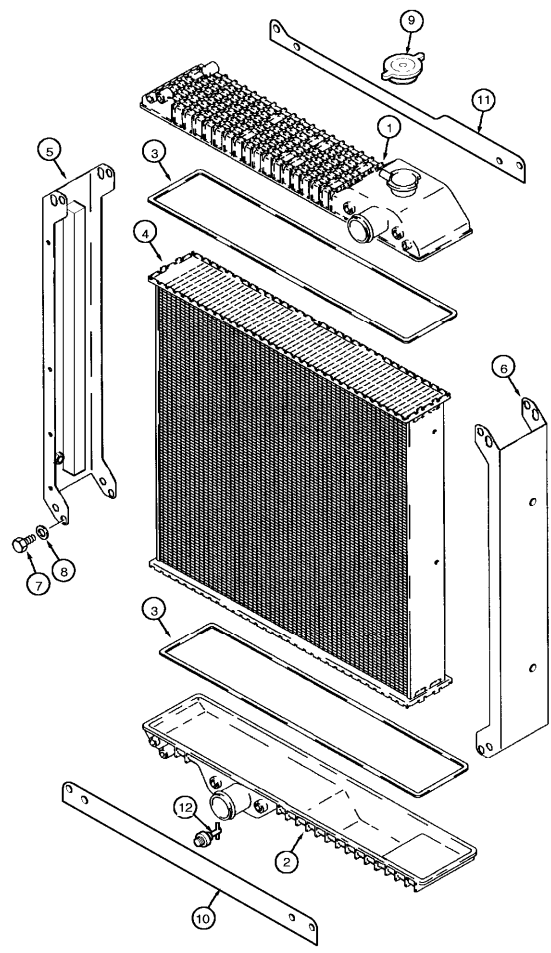
mcc\MI01J001.png

2



2011

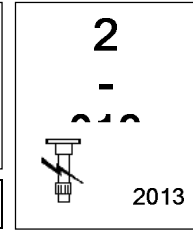
Radiator - mc115



		Inglese
1	432350A1 ;	1 Tank
2	432351A1 ;	1 Tank
3	175163A1	2 Seal
4	432349A1	1 Core
5	282233A2 ;	1 Bracket
6	282234A2 ;	1 Bracket
7	614-8012 ;	8 Bolt
8	895-11008 ;	8 Washer
9	A170241 ● 710829A1(1)	1 Cap
	;	
10	431970A1	1 Plate
11	377060A1 ;	1 Plate
12	217-92 ;	1 Valve, drain
	;	
200	330733A2 ● 366507A4(1)	1 Radiator assy
	;	
●	Replacement	

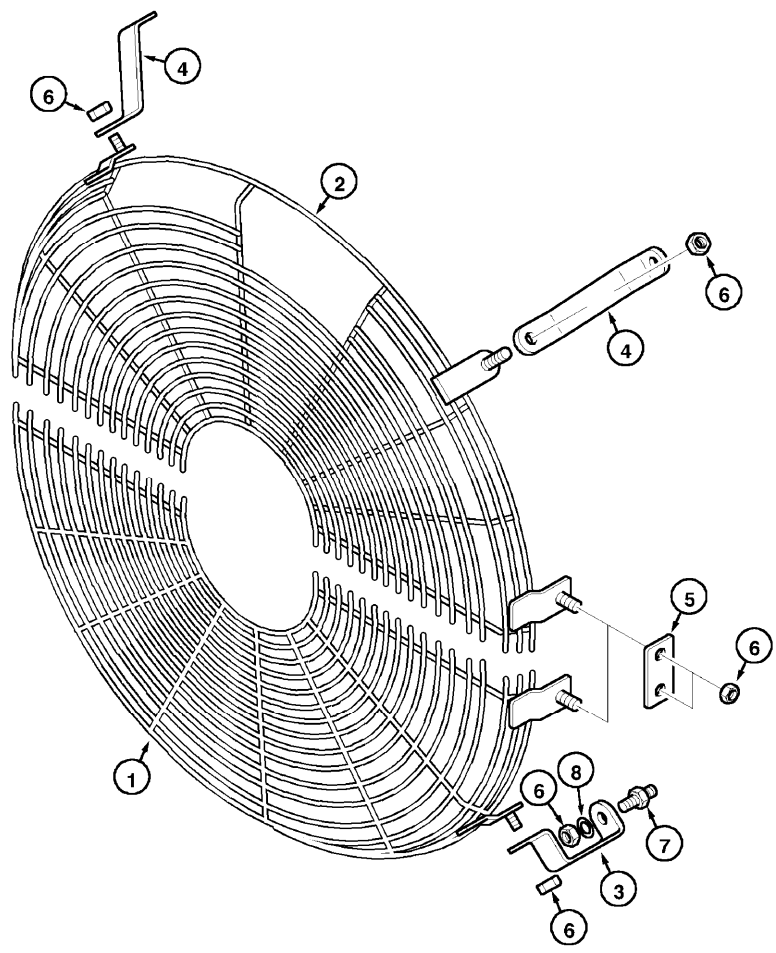
2 - engine

MC Series (2002-2007) - MC01 - MC (4 Cyl)



Fan shields

mcc\DI00E119.png



- 1 311246A1 ;
- 2 315162A1 ;
- 3 311244A2
- 4 311245A1
- 5 311242A1
- 6 825-2408 ;
- 7 353342A1 ;
- 8 895-11008 ;

Inglese


- 1 Guard assy
- 1 Guard assy
- 2 Bracket
- 2 Bracket
- 2 Strap
- 8 Nut
- 2 Stud
- 4 Washer

2 - engine

MC Series (2002-2007) - MC01 - MC (4 Cyl)

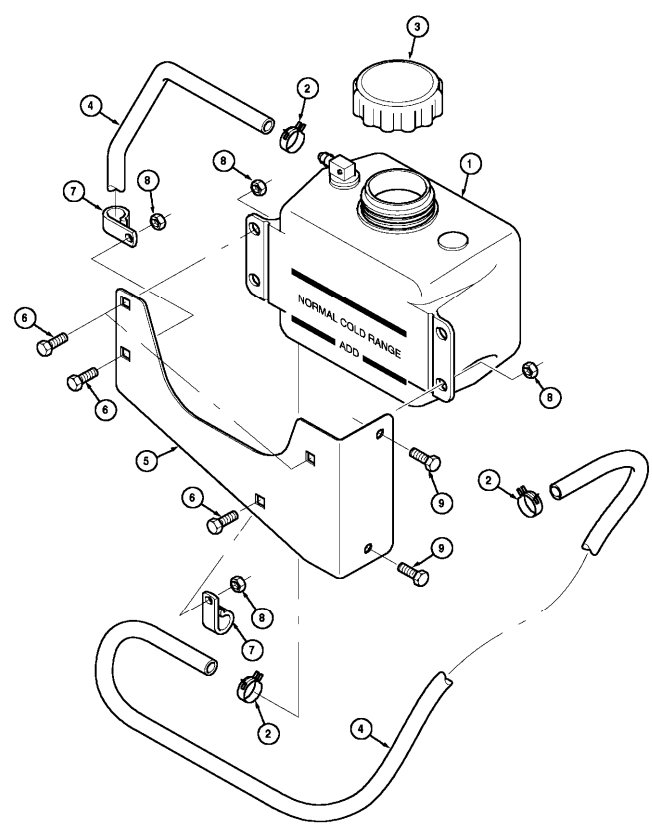
mcc\DI97K197.png

2



2015

Coolant recovery system



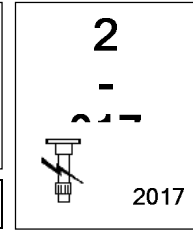
- | | | | | | |
|---|-----------|---|-------------|---|--------------|
| 1 | 258621A2 | ● | 452813A1(1) | 1 | Reservoir |
| 2 | A171099 | | | 3 | Clamp |
| 3 | 1547924C1 | ● | 440729A1(1) | 1 | Cap |
| 4 | 303447A1 | | ; | 2 | Hose |
| | | | ; | | |
| 5 | 302982A2 | | ; | 1 | Bracket |
| | | | ; | | |
| 5 | 336257A2 | | ; | 1 | Bracket assy |
| 6 | 844-8020 | | ; | 4 | Bolt |
| 7 | 516-22127 | | | 2 | Clip |
| 8 | 825-2408 | | ; | 4 | Nut |
| 9 | 844-8016 | ● | 2314H002(2) | 2 | Bolt |
| | | | ; | | |
- Replacement

Inglese

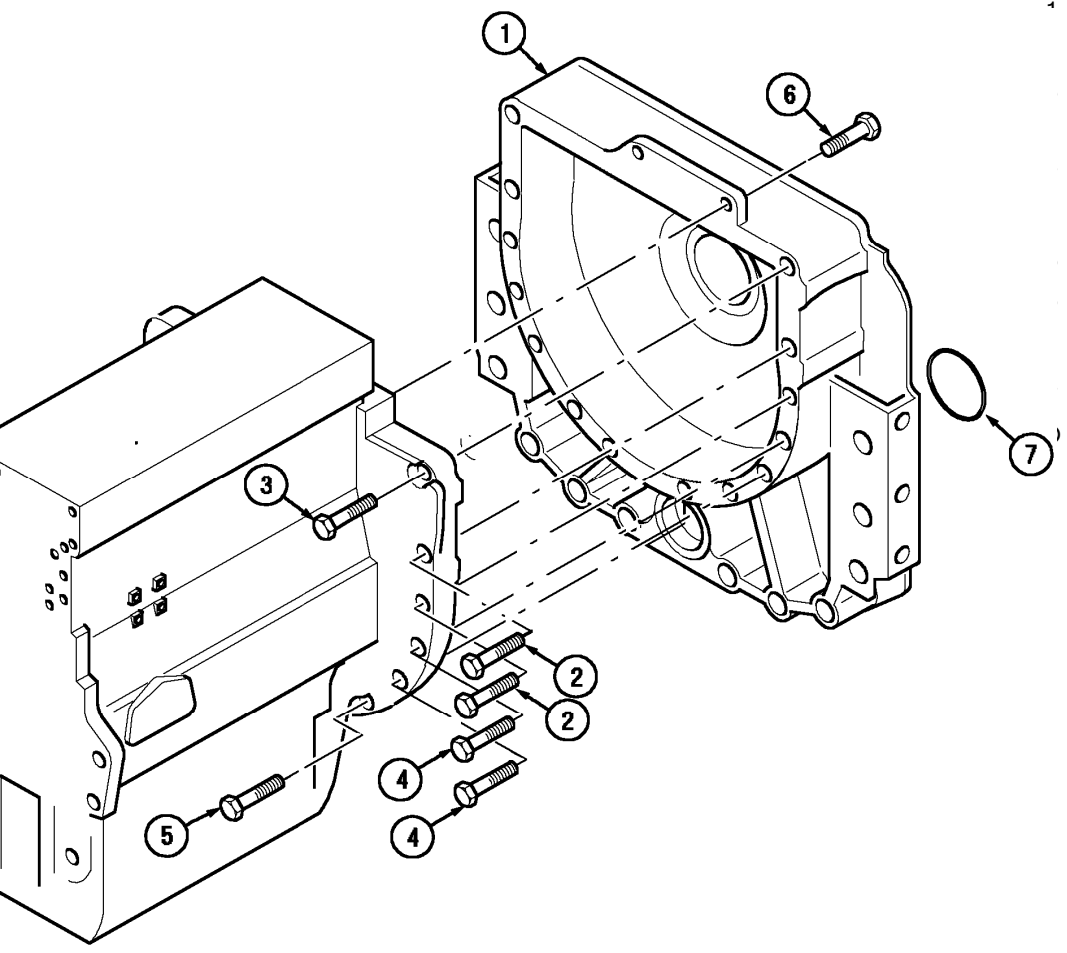
2 - engine

MC Series (2002-2007) - MC01 - MC (4 Cyl)

mcc\DI98K168.png



Flywheel housing



- 1 259908A5
- 854-12065 ;
- 854-12040 ● 3009222X1(2)
- ;
- 854-12070 ● 3001933X1(4),
3009228X1(4)
- ;
- 854-12055 ;
- 854-12045 ● 1440718X1(2),
3009223X1(2)
- ;
- 238-5154 ;
- Replacement

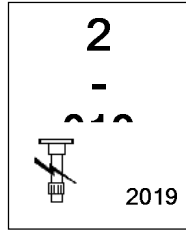
Inglese

- 1 Housing
- 5 Bolt
- 2 Bolt
- ;
- 4 Bolt
- ;
- 2 Bolt
- 2 Bolt
- ;
- 1 O-ring

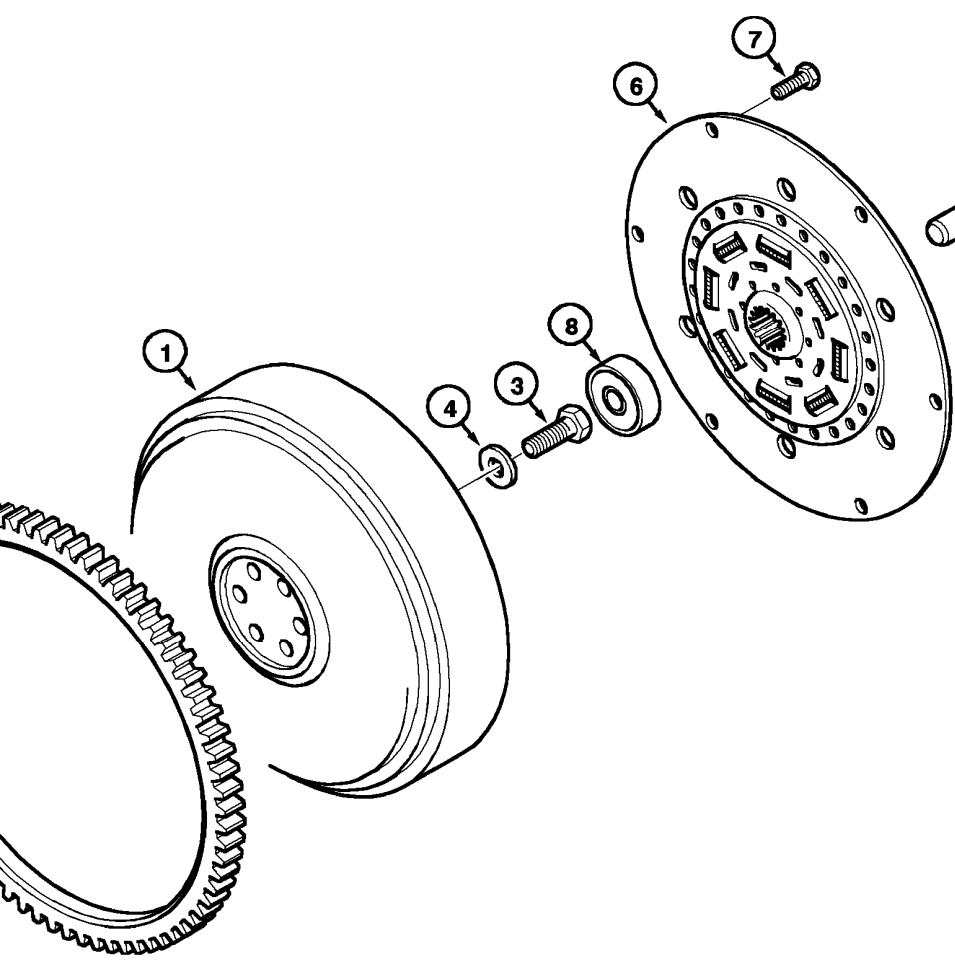
2 - engine

MC Series (2002-2007) - MC01 - MC (4 Cyl)

mcc\MI02G001.png



Flywheel



- 1 MCS
- 18310R1
- 1980A1
- 3499A1
- 2202A1
- 0444A1
- 3-12025 ;
- 1918A1
- 5912A1 ;
- replacement
- 3552228M1(1)

Inglese

- 1 Flywheel
- 1 Ring, gear
- 6 Bolt
- 6 Washer
- 1 Shaft, drive
- 1 Plate
- 6 Bolt
- 1 Bearing, ball
- 1 Flywheel

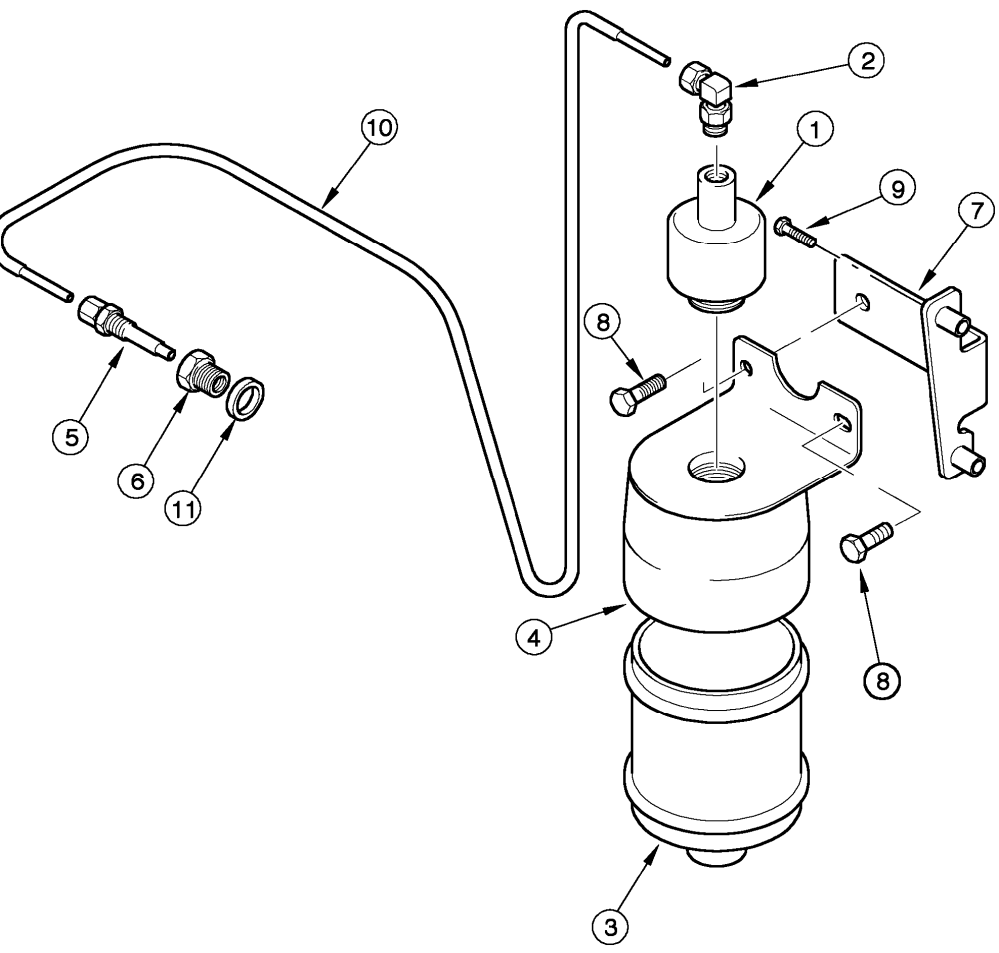
2 - engine

2
-
3
3
2021

Ether starting - n.a. only

MC Series (2002-2007) - MC01 - MC (4 Cyl)

mcc\MI01J002.png



- 1 NSS
 - 2 222-615 ;
 - 3 190752A1 ;
 - 4 NSS
 - 5 A171946 ● N.L.A.(1)
 - 6 322177A1
 - 7 291586A1
 - 8 844-8012 ;
 - 9 844-12080 ;
 - 10 303008A1 ;
 - 11 307762A1
 - 200 185552A2 ;
- Replacement

Inglese

- 1 Solenoid
- 1 Elbow, 90
- 1 Cartridge
- 1 Housing
- 1 Nozzle
- 1 Reducer
- 1 Bracket
- 2 Bolt
- 2 Bolt
- 1 Tube
- 1 Seal, copper
- 1 Solenoid assy

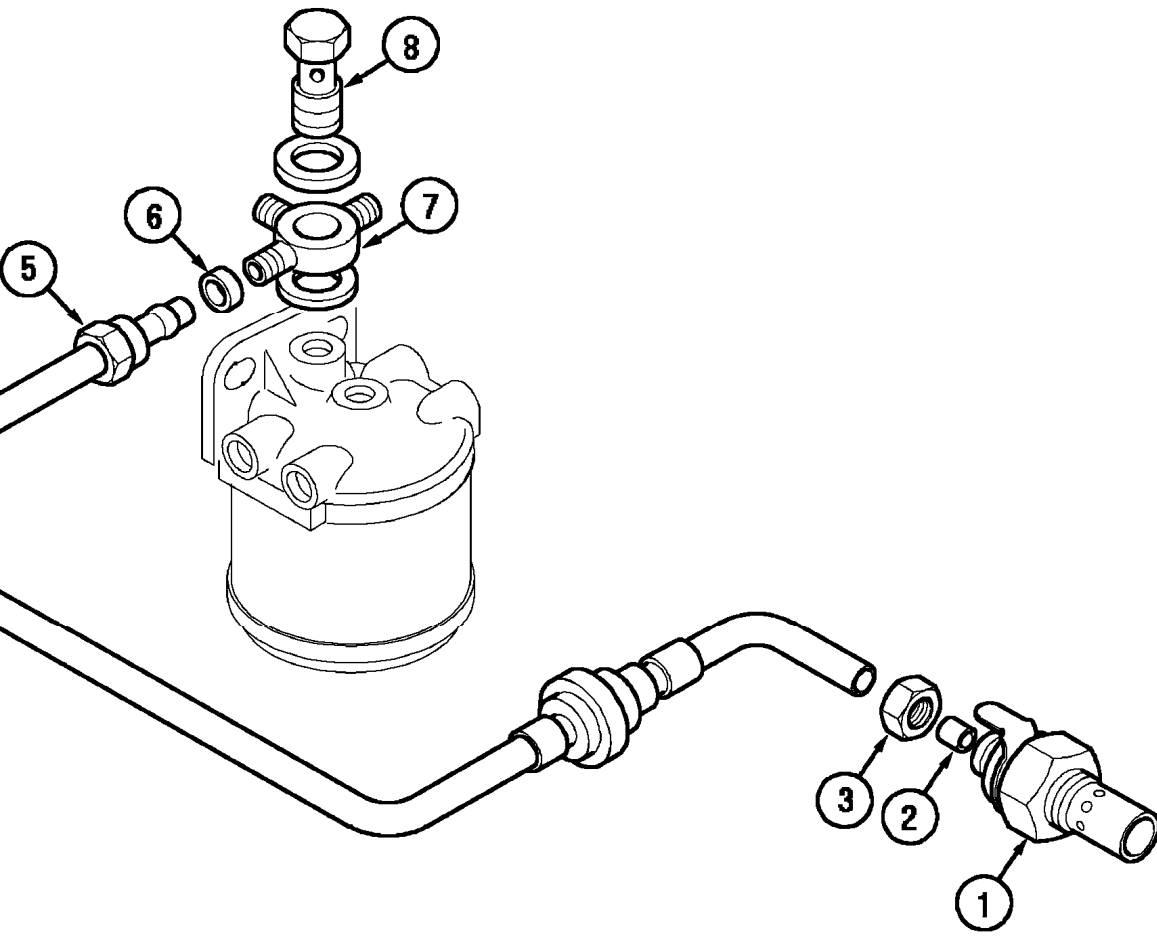
2 - engine

MC Series (2002-2007) - MC01 - MC (4 Cyl)

mcc\DI97N019.png

2
-
3
3
2023

Thermostart attachment - europe only



1 A77616

- 2 ;
- .1 ;
- .1 ;
- .1 ● 3172X004(1)
- .1 ● 3218R013(1)
- ement

Inglese

- 1 Element
- 1 Seal
- 1 Nut
- 1 Tube
- 1 Nut
- 1 Sleeve
- 1 Union
- 1 Screw

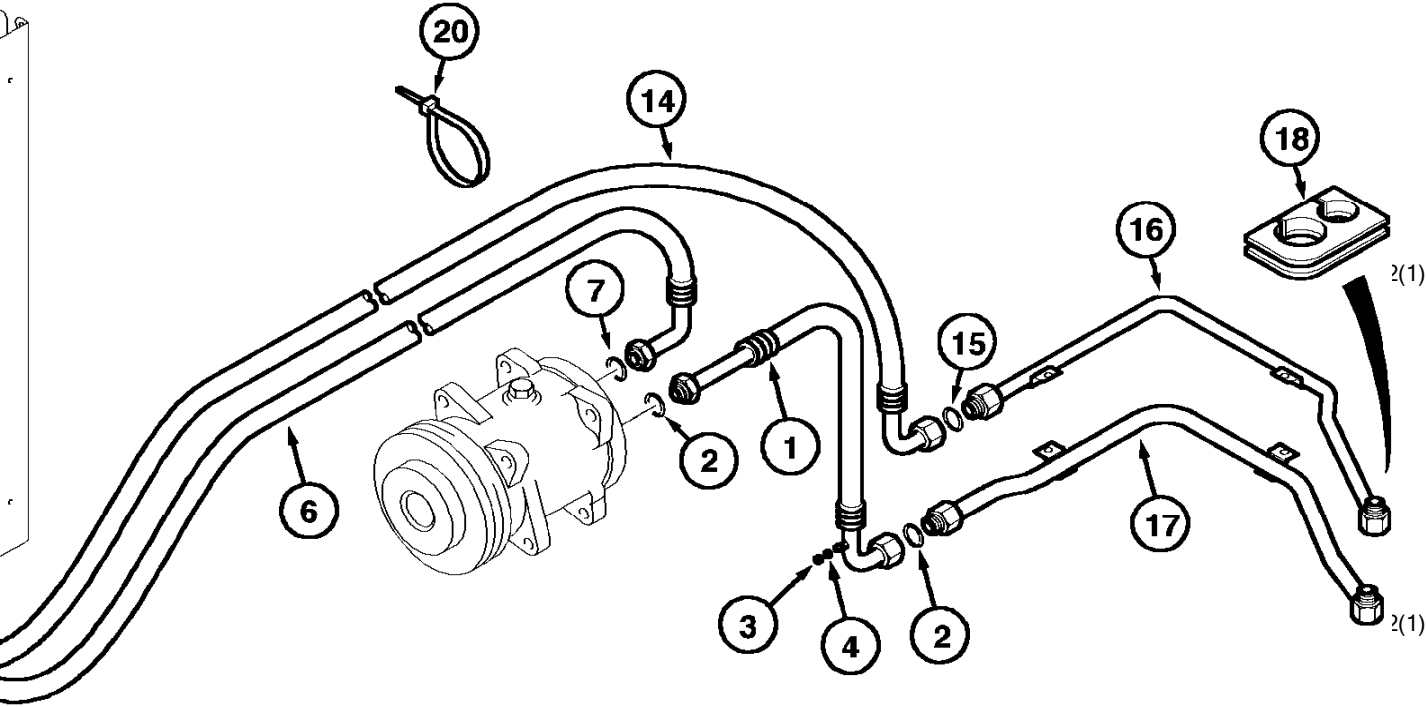
2 - engine

MC Series (2002-2007) - MC01 - MC (4 Cyl)

mcc\MI02G003.png

2
-
3
-
3
-
2025

Air conditioning pipes



- Inglese
- 1 Hose assy
 - 1 Hose assy
 - 2 O-ring
 - 1 Cap
 - 1 Core
 - 1 Hose assy
 - 1 Hose assy
 - 1 O-ring
 - 1 O-ring
 - 1 O-ring
 - 1 Core
 - 1 Cap
 - 1 Hose assy
 - 2 O-ring

2 - engine

MC Series (2002-2007) - MC01 - MC (4 Cyl)

mcc\MI02G003.png

2
-
3
-
3
-
2025

Air conditioning pipes

14 300070A2 300070A3(1)

Inglese

1 Hose assy

2 O-ring

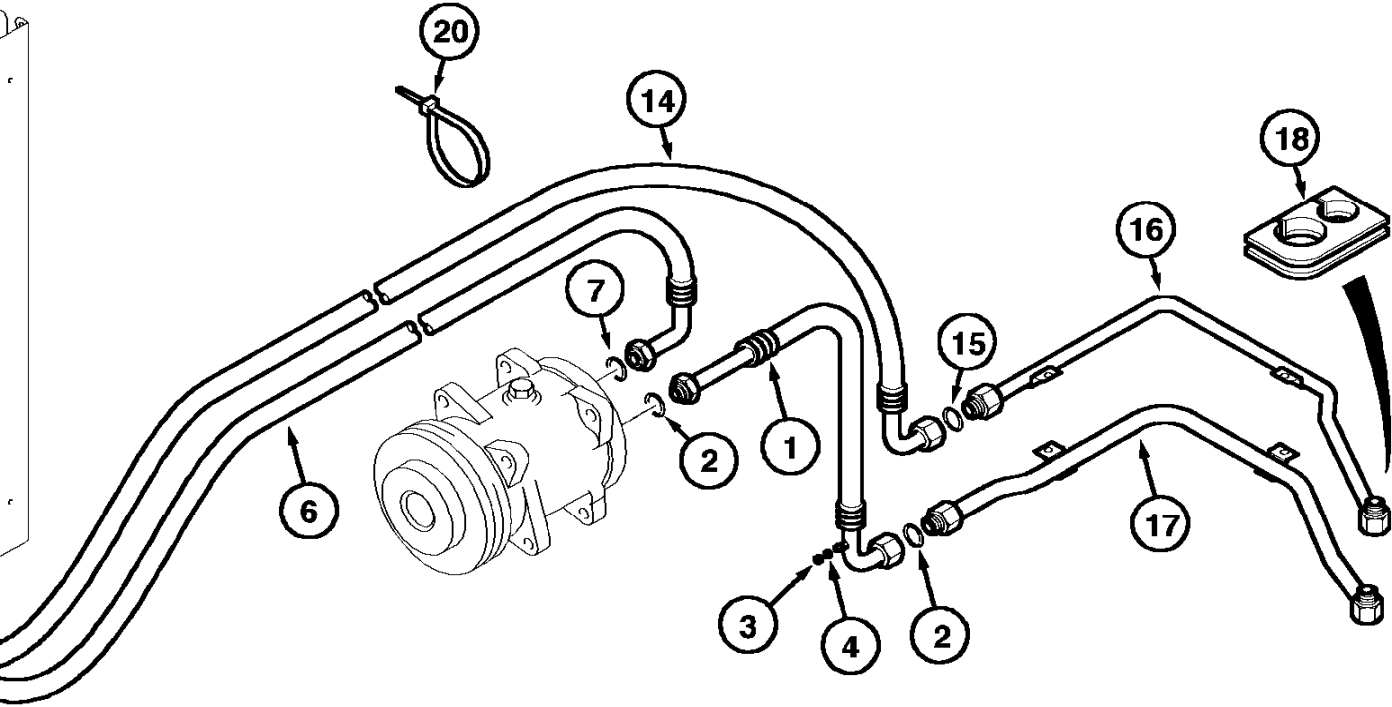
1 Tube assy

3(1) 1 Tube assy

1 Seal

2(1) 1 Switch assy

0 Strap, cable



Buy Now



Our support email:

ebooklibonline@outlook.com