

Page Title	Page Number
SEAT - 80 M/M PET., 85 M/M PET., 85 M/M V.O., 85 M/M L.O. 20C DIESEL.	1A
HYDRAULIC LIFT COVER - 80 M/M PET.	2
HYDRAULIC LIFT SHAFTS AND RELATED PARTS - 80 M/M PET., 85 M/M PET., 85 M/M V.O., 85 M/M L.O. 20C DIESEL.	6
HYDRAULIC PUMP ASSEMBLY - 80 M/M PET., 85 M/M PET., 85 M/M V.O., 85 M/M L.O., 20C DIESEL	8
UPPER AND LOWER LINKS AND RELATED PARTS. - 80 M/M PET., 85 M/M PET., 85 M/M V.O., 85 M/M L.O., 20C DIESEL	12
LEVELLING BOX ASSEMBLY AND RELATED PARTS - 80 M/M PET., 85 M/M PET., 85 M/M V.O., 85 M/M L.O., 20C DIESEL	14
POWER TAKE OFF ASSEMBLY - 80 M/M PET., 85 M/M PET., 85 M/M V.O., 85 M/M L.O., 20C DIESEL	16
HYDRAULIC P.T.O. SHIFTER LEVER FORK AND RELATED PARTS	18
PULLEY ATTACHMENT ASSEMBLY - ACCESSORY TO TRACTOR.	20
WHEELS, FENDERS AND TOOL BOX - 80 M/M PET., 85 M/M PET., 85 M/M V.O., 85 M/M L.O., 20C DIESEL	24
BRAKE ASSEMBLY - 80 M/M PET., 85 M/M PET., 85 M/M V.O., 85 M/M L.O., 20C DIESEL	26
BRAKE ASSEMBLY - FLOATING CAN DOUBLE ACTION - 85 M/M PET., 85 M/M V.O., 85 M/M L.O., 20C DIESEL.	28
BRAKE RODS, PEDALS AND RELATED PARTS - 80 M/M PET., 85 M/M PET., 85 M/M V.O., 85 M/M L.O., 20C DIESEL	30
CENTRE AXLE HOUSING AND RELATED PARTS - 80 M/M PET., 85 M/M PET., 85 M/M V.O., 85 M/M L.O., 20C DIESEL	34
REAR AXLE HOUSING AND RELATED PARTS - 80 M/M PET., 85 M/M PET., 85 M/M V.O., 85 M/M L.O., 20C DIESEL	36
DIFFERENTIAL ASSEMBLY - 80 M/M PET., 85 M/M PET., 85 M/M V.O., 85 M/M L.O., 20C DIESEL	38
INSTRUMENT PANEL AND STEERING ASSEMBLY - 80 M/M PET., 85 M/M PET., 85 M/M V.O., 85 M/M L.O., 20C DIESEL	42
SELECTOR MECHANISM AND RELATED PARTS - 80 M/M PET., 85 M/M PET., 85 M/M V.O., 85 M/M L.O., 20C DIESEL	46
TRANSMISSION - 80 M/M PET., 85 M/M PET., 85 M/M V.O., 85 M/M L.O., 20C DIESEL	48
TRANSMISSION CASE AND RELATED PARTS - 80 M/M PET., 85 M/M PET., 85 M/M V.O., 85 M/M L.O., 20C DIESEL	52
CLUTCH ASSEMBLY - 80 M/M PET., 85 M/M PET., 85 M/M V.O., 85 M/M L.O. 20C DIESEL.	56
CYLINDER BLOCK - 80 M/M PET., 85 M/M PET., 85 M/M V.O., 85 M/M L.O., 20C DIESEL	58
CAMSHAFT, TIMING COVER AND GOVERNOR DETAILS - 80 M/M PET., 85 M/M PET., 85 M/M V.O., 85 M/M L.O., 20C DIESEL	62
PISTON, CONNECTING ROD, SLEEVE AND RELATED PARTS - 80 M/M PET., 85 M/M PET., 85 M/M V.O., 85 M/M L.O.	66
OIL SUMP, OIL PUMP AND DISTRIBUTOR SHAFT DETAILS. - 80 M/M PET., 85 M/M PET., 85 M/M V.O., 85 M/M L.O.	70
CYLINDER HEAD AND RELATED PARTS - 80 M/M PET., 85 M/M PET., 85 M/M V.O., 85 M/M L.O.	74
OIL FILTER - VERTICAL	80
OIL FILTER - INCLINED.	82
OIL FILTER - INCLINED	84
CARBURETTOR - ZENITH	86
CARBURETTOR - ZENITH	90
CARBURETTOR - HOLLEY	92
AIR CLEANER AND RELATED PARTS - 80 M/M PET., 85 M/M PET., 85 M/M V.O., 85 M/M L.O.	94
FUEL VALVE AND SEDIMENT BOWL ASSEMBLY-FUEL FILTER	98
THROTTLE CONTROLS - 80 M/M PET., 85 M/M PET., 85 M/M V.O., 85 M/M L.O.	102
ELECTRICAL EQUIPMENT COMPLETE WITH WIRING (6 VOLT) - 80 M/M PET, 85 M/M	106

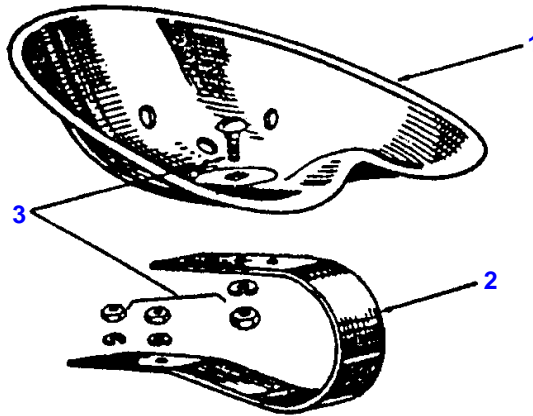
TABLE OF CONTENT

00

PET	
ELECTRICAL EQUIPMENT COMPLETE WITH WIRING - 12 VOLT (FITTED IN PRODUCTION FROM 200,001ST TRACTOR) - 85 M/M PET., 85 M/M V.O., 85 L.O.	110
RADIATOR, HOOD AND RELATED PARTS - 80 M/M PET., 85 M/M PET., 85 M/M V.O., 85 M/M L.O. 20C DIESEL.	116
FRONT AXLE AND RELATED PARTS - 80 M/M PET., 85 M/M PET., 85 M/M V.O., 85 M/M L.O. 20C DIESEL.	120
MUFFLER ASSEMBLY AND RELATED PARTS - 80 M/M PET., 85 M/M PET., 85 M/M V.O., 85 M/M L.O. 20C DIESEL.	124
ENGINE DETAILS - DETAIL	126
PISTON, CONNECTING ROD, SLEEVE AND RELATED PARTS - T.E. 20	132
VALVE AND PUSH ROD ASSEMBLY	134
CYLINDER HEAD AND RELATED PARTS - T.E. 20	136
WATER PUMP ASSEMBLY AND FAN	140
CARBURETTOR ASSEMBLY (MARVEL)	142
AIR CLEANER AND RELATED PARTS - T.E. 20	146
MISCELLANEOUS - NON-INTERCHANGEABLE PARTS FOR T.E.20 TRACTOR	148
CYLINDER BLOCK WITH CRANKSHAFT, FLYWHEEL AND RELATED PARTS - NO. OFF 20C DIESEL	150
CAMSHAFT, TIMING GEARS AND COVER - NO. OFF 20C DIESEL	156
PISTON ASSEMBLY - NO. OFF 20C DIESEL	160
OIL SUMP, INJECTOR PUMP AND RELATED PARTS - NO. OFF 20C DIESEL	162
CYLINDER HEAD AND RELATED PARTS - NO. OFF 20C DIESEL	166
WATER PUMP ASSEMBLY AND FAN (OLD DESIGN) - NO. OFF 80 M/M PETROL	170
WATER PUMP ASSEMBLY AND FAN (NEW DESIGN) - 80 M/M PET.	172
PURULATOR (MICRONIC) OIL FILTER	174
VENTURI ASSEMBLY - NO. OFF 20C DIESEL	176
KIGASS EQUIPMENT	178
DECOMPRESSION OPERATING SHAFT AND RELATED PARTS	180
AIR CLEANER AND RELATED PARTS	182
PRIMARY AND SECONDARY FUEL FILTERS - UP TO TRACTOR 336,104 ONLY	184
PURULATOR FUEL FILTER ASSEMBLY - TRACTOR 336,105 AND FUTURE	186
THROTTLE AND FUEL CUT-OFF CONTROLS	188
ELECTRICAL EQUIPMENT COMPLETE WITH WIRING (12 VOLT)	190
FUEL TANKS AND SUPPLY LINES	194
FUEL FEED PUMP	198
HOURS' RECORDER	200
HOURS' RECORDER DRIVE TRAIN	202
CONVERSION KIT - SAFETY REGULATIONS - TE 20 TRACTOR, PETROL, V.O. AND L.O.	204
CONVERSION KIT - SAFETY REGULATIONS - TE20 TRACTOR - DIESEL	205

**"20" TRACTOR PARTS LIST**

---



**FIG. 1**

MASSEY FERGUSON

TE 20 TRACTOR - 819094

819094

SEAT - 80 M/M PET., 85 M/M PET., 85 M/M V.O., 85 M/M L.O. 20C DIESEL.

1A

Item	Part Number	Qty	Description	Comments
				80 M/M PET., 85 M/M PET., 85 M/M V.O., 85 M/M L.O. 20C DIESEL.
1	2527	1	Seat	
2	7962	1	Spring	
3	1221	1	Bolt	
	353432X1	3	Lock Washer	
	353426X1	3	Nut Unf	

“20” TRACTOR PARTS LIST

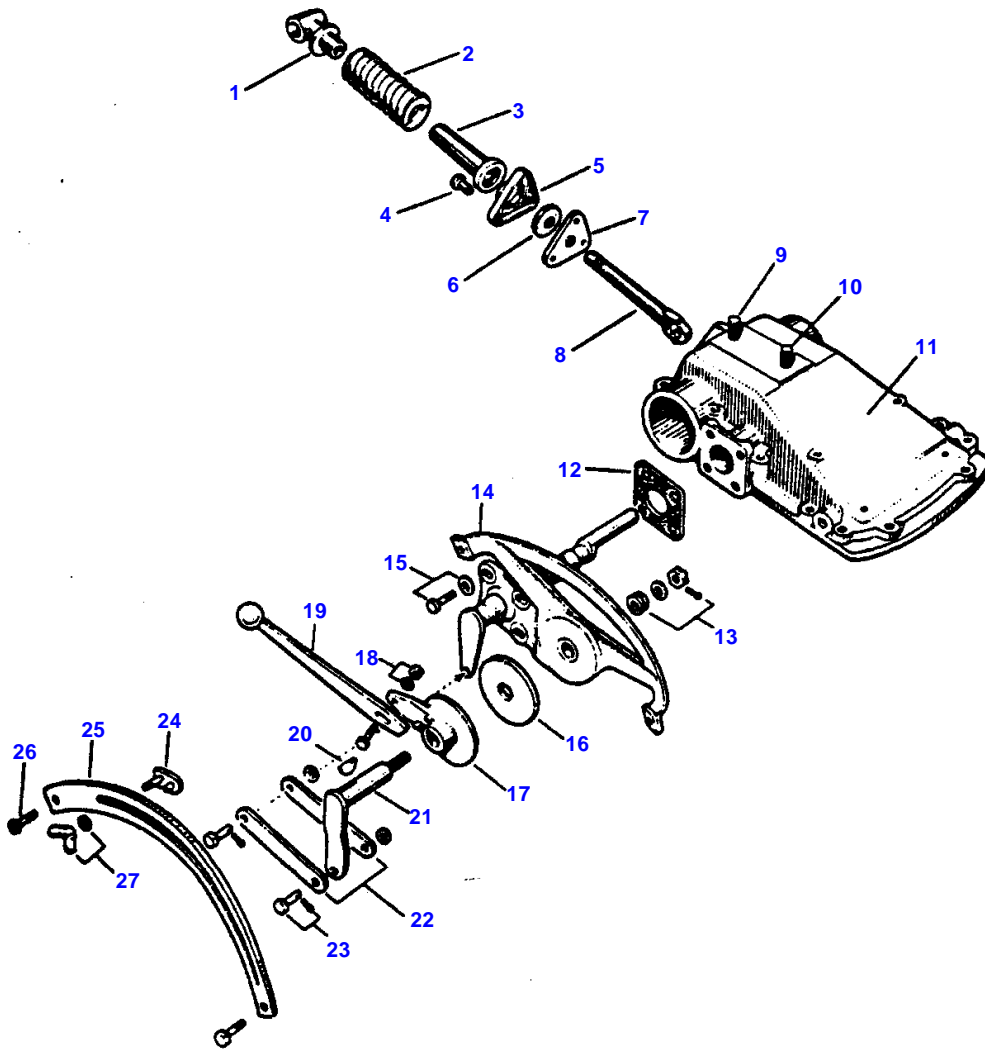


FIG. 2

HYDRAULIC LIFT COVER - 80 M/M PET.

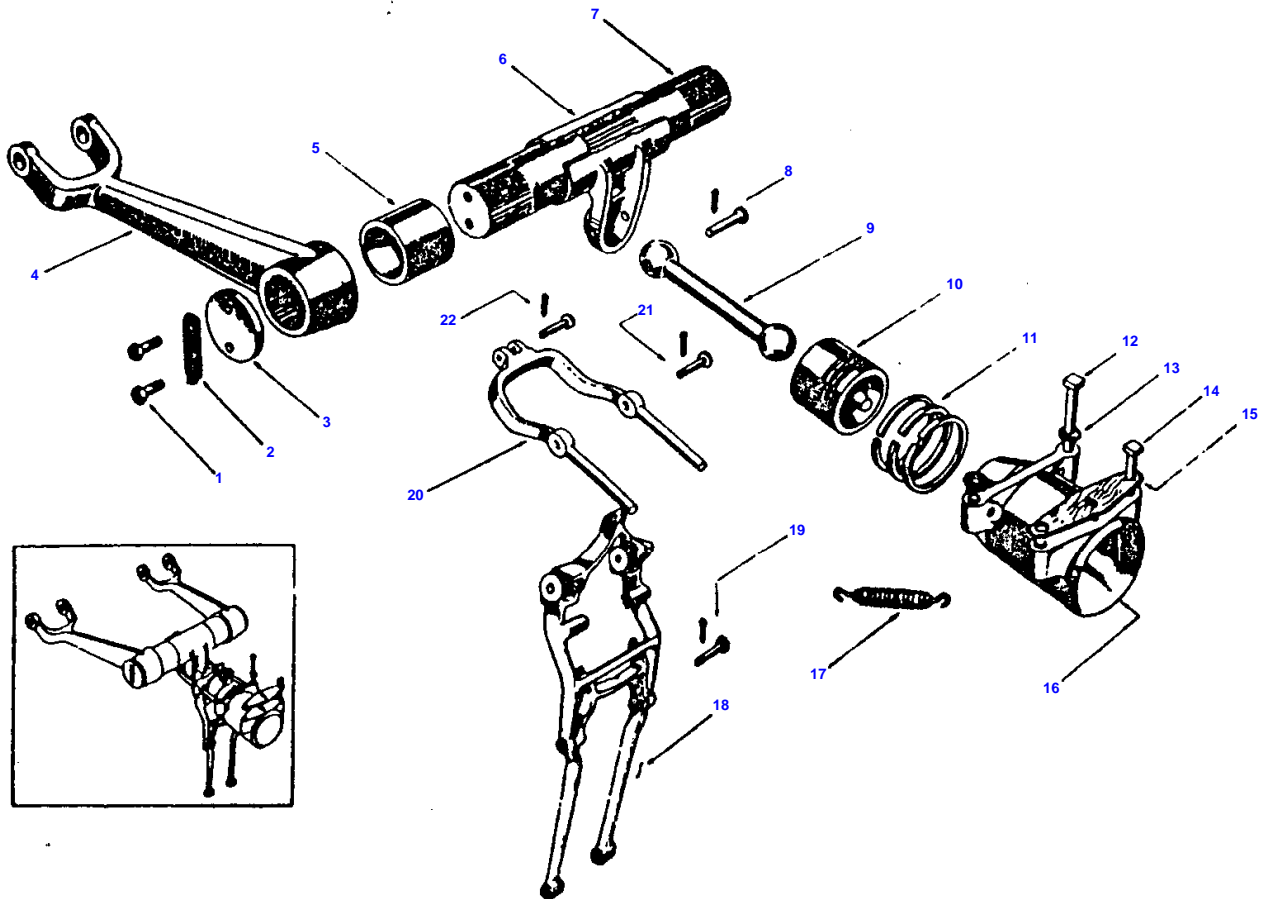
Item	Part Number	Qty	Description	Comments
				80 M/M PET. 85 M/M PET. 85 M/M V.O. 85 M/M L.O. 20C DIESEL
	400269	1	Lift	
1	4258	1	Yoke	MATCHED WITH 4257 - SERVICED ONLY IN PAIRS.
2	1064	1	Spring	
3	1005	1	Spring	
4	1477	3	Bolt	
5	1099	1	Support	
6	1020	1	Washer	
7	1002	1	Cover	
8	4257	1	Plunger	MATCHED WITH 4258 - SERVICED ONLY IN PAIRS.
9	826974M1	1	Stud	
10	1152	2	Stud	80 M/M PET., 85 M/M PET., 85 M/M V.O., 85 M/M L.O.
	1152	1	Stud	20C DIESEL.
11	8508	1	Cover	1 TO 200,000 SERVICE INFORMATION 41 REFERS. 200,001 TO 268,152
	9636	1	Cover	SERVICE INFORMATION 41 REFERS.
	9733	1	Cover	85 M/M PET. 85 M/M V.O. 85 M/M L.O. 20C DIESEL
	825031M1	2	Plug	200,001 TO 330,043 85 M/M PET. 85 M/M V.O. 85 M/M L.O. 20C DIESEL
	106038	1	Cover	From Serial or Engine Number 330,044 85 M/M PET. 85 M/M V.O. 85 M/M L.O. 20C DIESEL
	301059	1	Cover	From Serial or Engine Number 330,044 85 M/M PET. 85 M/M V.O. 85 M/M L.O. 20C DIESEL
	110687	1	Valve	From Serial or Engine Number 330,044 85 M/M PET. 85 M/M V.O. 85 M/M L.O. 20C DIESEL
	BL0018	1	Ball	From Serial or Engine Number 330,044 85 M/M PET. 85 M/M V.O. 85 M/M L.O. 20C DIESEL
	105009	1	Seat	From Serial or Engine Number 330,044 85 M/M PET. 85 M/M V.O. 85 M/M L.O. 20C DIESEL
	105010	1	Plug	Left Hand From Serial or Engine Number 330,044 85 M/M PET. 85 M/M V.O. 85 M/M L.O. 20C DIESEL
	105011	1	Spring	From Serial or Engine Number 330,044 85 M/M PET. 85 M/M V.O. 85 M/M L.O. 20C DIESEL
	105012	1	Gasket	From Serial or Engine Number 330,044 85 M/M PET. 85 M/M V.O. 85 M/M L.O.

HYDRAULIC LIFT COVER - 80 M/M PET.

Item	Part Number	Qty	Description	Comments
1	105013	1	Gasket	20C DIESEL From Serial or Engine Number 330,044 85 M/M PET. 85 M/M V.O. 85 M/M L.O.
	105014	AR	Shim	20C DIESEL From Serial or Engine Number 330,044 85 M/M PET. 85 M/M V.O. 85 M/M L.O.
	105283	1	Plug	20C DIESEL Right Hand 85 M/M PET. 85 M/M V.O. 85 M/M L.O. 20C DIESEL From Serial or Engine Number 330,044
12	1069	1	Gasket	
	8733	1	Quadrant	INCLUDES ITEMS 13, 14 AND 16 THROUGH 27. 20C DIESEL
13	1010	1	Spring	
	353757X1	1	Washer	
	353925X1	1	Nut Unf	
	354058X1	1	Pin	
14	8509	1	Quadrant	80 M/M PET. 85 M/M PET. 85 M/M V.O. 85 M/M L.O.
	4201	1	Chain	80 M/M PET. 85 M/M PET. 85 M/M V.O. 85 M/M L.O.
	2463	1	Plate	80 M/M PET. 85 M/M PET. 85 M/M V.O. 85 M/M L.O.
15	354403X1	4	Bolt	
	353772X1	4	Washer	
16	1062	1	Disc	
	4350	1	Lever	INCLUDES ITEMS 17,18 AND 19. 80 M/M PET. 85 M/M PET. 85 M/M V.O. 85 M/M L.O.
	108542	1	Bearer	INCLUDES ITEMS 17,18 AND 19. 20C DIESEL
17			Plate	NOT SERVICED SEPARATELY ORDER 108542 OR 4350.
18	353503X1	1	Screw Unf	
	3553665X1	2	Bolt	
	353918X1	1	Nut Unf	
	353441X1	2	Lock Washer	
19			Lever	NOT SERVICED SEPARATELY ORDER 108542 OR 4350.
20	1241	1	Key	
21	2458	1	Clevis Pin	20C DIESEL
22	2461	2	Link	20C DIESEL
23	195240M1	2	Pin	20C DIESEL
	353755X1	2	Washer	20C DIESEL
	354046X1	2	Pin	20C DIESEL
24	2167	1	Thruster	
25	7045	1	Retainer	
26	353674X1	2	Screw Unc	
27	1153	1	Nut	Alternative 1815
	1815	1	Nut	Alternative 1153
	353754X1	1	Washer	

"20" TRACTOR PARTS LIST

FIG. 3





Item	Part Number	Qty	Description	Comments
				80 M/M PET., 85 M/M PET., 85 M/M V.O., 85 M/M L.O. 20C DIESEL.
1	354391X1	4	Screw Unf	
2	180916M1	2	Clip	
3	180917M1	2	Plate	
4	7007	2	Arm	Up to Serial or Engine Number 73,564
	7249	2	Arm	From Serial or Engine Number 73,565
5	1001	2	Bush	
6	7246	1	Arm	
7	7008	1	Shaft	
8	31PS212B	1	Pin	
	354046X1	1	Pin	
9	180903M1	1	Rod	
10	1004	1	Piston	
11	180898M1	3	Ring	
12	44FBS512B	2	Bolt	
	1148	2	Nut	
13	1066	2	Gasket	Up to Serial or Engine Number 330,043
14	44FBS332B	2	Bolt	Up to Serial or Engine Number 268,152
	1148	2	Nut	Up to Serial or Engine Number 268,152
	105284	2	Bolt	From Serial or Engine Number 268,153
	104260	2	Nut	From Serial or Engine Number 268,153
15	104275	1	Gasket	Up to Serial or Engine Number 330,043
	105017	1	Ring	From Serial or Engine Number 330,044
16	7248		Cylinder	Up to Serial or Engine Number 330,043 USE 201183, 105284 AND 104260.
	201183	1	Cylinder	From Serial or Engine Number 330,044
17	1013	1	Spring	
18	7329	1	Fork	Up to Serial or Engine Number 325,000
	7370	1	Fork	From Serial or Engine Number 325,001
19	2198	2	Clevis Pin	
	25PS81B	2	Pin	
	354039X1	2	Cotter	
20	4004	1	Fork	
21	1977	2	Clevis Pin	
	354048X1	2	Pin	From Serial or Engine Number 25,001
	354057X1	2	Pin	Up to Serial or Engine Number 25,000
22	38PS131B	1	Pin	
	354047X1	1	Pin	

"20" TRACTOR PARTS LIST

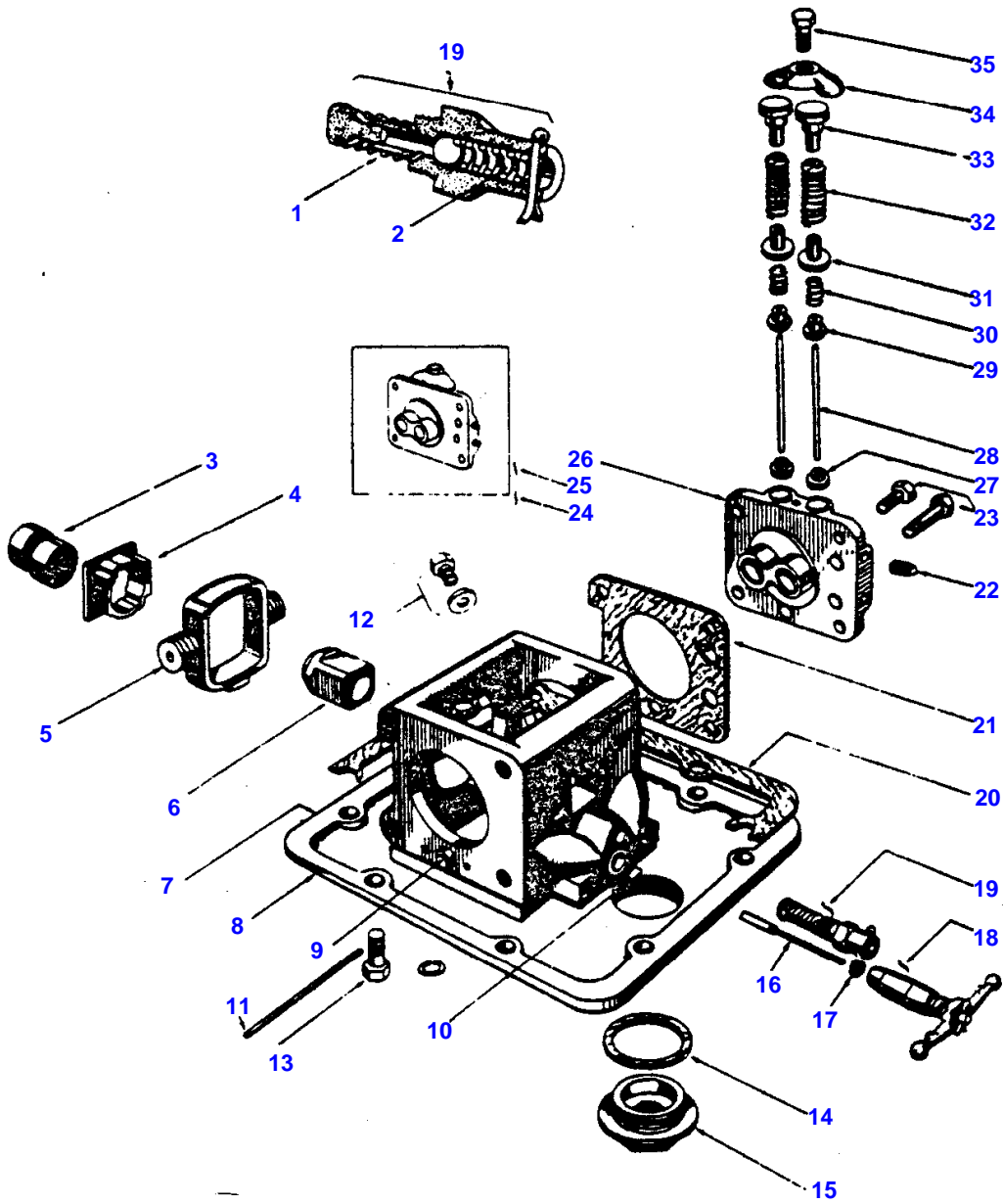


FIG. 4

Item	Part Number	Qty	Description	Comments
				80 M/M PET., 85 M/M PET., 85 M/M V.O., 85 M/M L.O., 20C DIESEL
	8700	1	Hydraulic Pump	Up to Serial or Engine Number 285,932
	300952	1	Hydraulic Pump	285,933 TO 330,043
				85 M/M PET., 85 M/M V.O., 85 M/M L.O., 20C DIESEL.
	301239	1	Pump	From Serial or Engine Number 330,044
				85 M/M PET., 85 M/M V.O., 85 M/M L.O., 20C DIESEL.
1	1058	1	Spring	
2	1057	1	Spring	Up to Serial or Engine Number 330,043
3	4045	1	Cam	Up to Serial or Engine Number 134,000
	4395	1	Cam	From Serial or Engine Number 134,001
4	1042	2	Cam	
5	4009	2	Piston	
6	1059	1	Bush	
7	105104	1	Base	INCLUDES ITEMS 8,9,10,12,14 AND 15.
8			Base	NOT SERVICED SEPARATELY ORDER 105104.
9	1189	2	Catch	
10	4327	1	Bush	
11	1492	2	Steady	
12	1017	2	Gasket	
	1144	2	Plug	
13	353703X1	9	Bolt Unc	
	1576	9	Washer	
14	1170	1	Roller Frame	
15	1018	1	Plug	
16	2296	1	Rod	USE WITH 2425.
	106042	1	Strip	USE WITH 106041.
17	2305	1	Circlip	
18	1053	1	Valve	Up to Serial or Engine Number 134,000
				80 M/M PET., 85 M/M PET., 85 M/M V.O., 85 M/M L.O.
	2425	1	Valve	134,001 TO 407,101
	106041	1	Valve	From Serial or Engine Number 407,102
				85 M/M PET., 85 M/M V.O., 85 M/M L.O., 20C DIESEL.
	1050	1	Spring	
	826897M1	1	Clip	
	1055	1	Stem	
	1056	1	Bar	
19	2172	1	Valve	Up to Serial or Engine Number 330,043
	2174	1	Pad	Up to Serial or Engine Number 330,043
	2173	1	Retainer	Up to Serial or Engine Number 330,043
	2175	1	Washer	Up to Serial or Engine Number 330,043
	2262	1	Shield	Up to Serial or Engine Number 330,043
	354057X1	1	Pin	Up to Serial or Engine Number 330,043
	105285	1	Retainer	From Serial or Engine Number 330,044
				INCLUDES 1058 AND 1168.
	1168	1	Valve	From Serial or Engine Number 330,044
20	4082	1	Gasket	
21	2181	2	Gasket	Up to Serial or Engine Number 285,932
	105017	4	Ring	From Serial or Engine Number 285,933
				85 M/M PET., 85 M/M V.O., 85 M/M L.O., 20C DIESEL.
22	1150	4	Plug	
23	1484	4	Bolt	
	353564X1	4	Bolt Unf	
24	2495	1	Valve	Left Hand
				Up to Serial or Engine Number 285,932
				INCLUDES ITEMS 26 THROUGH 35.
	105102	1	Chamber	Left Hand
				From Serial or Engine Number 285,933
				INCLUDES ITEMS 26 THROUGH 35.
				85 M/M PET., 85 M/M V.O., 85 M/M L.O., 20C DIESEL.
25	2494	1	Cylinder	Right Hand
				Up to Serial or Engine Number 285,932
				INCLUDES ITEMS 26 THROUGH 35.
	105103	1	Chamber	Right Hand
				From Serial or Engine Number 285,933
				INCLUDES ITEMS 26 THROUGH 35.
				85 M/M PET., 85 M/M V.O., 85 M/M L.O., 20C DIESEL.
26			Chamber	Right Hand
				NOT SERVICED SEPARATELY ORDER 2494 OR 105103.
			Chamber	Left Hand
				NOT SERVICED SEPARATELY ORDER 2495 OR 105102.

MASSEY FERGUSON

TE 20 TRACTOR - 819094

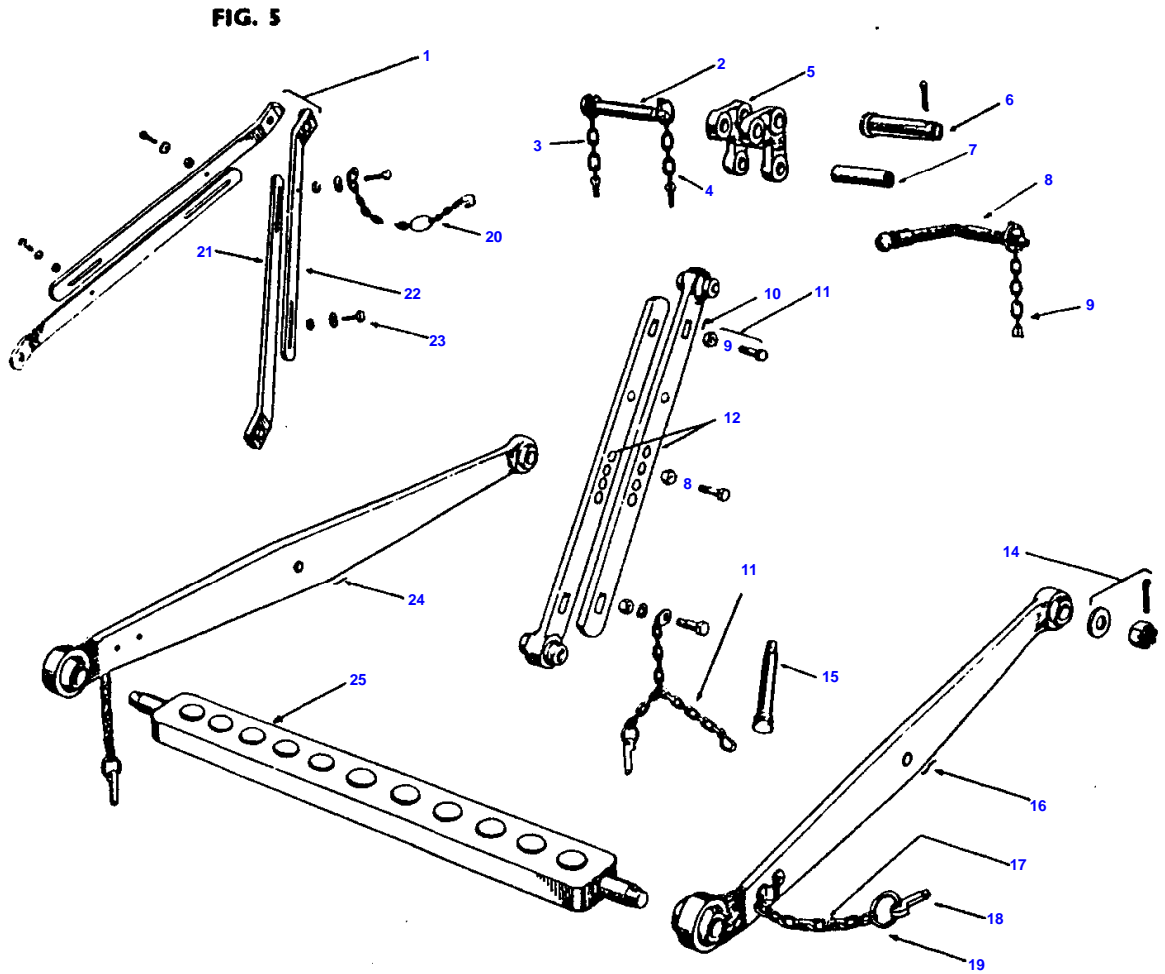
819094

HYDRAULIC PUMP ASSEMBLY - 80 M/M PET., 85 M/M PET., 85 M/M V.O., 85 M/M L.O., 20C DIESEL

8

Item	Part Number	Qty	Description	Comments
27	1046	4	Socket	
28			Guide	NOT SERVICED SEPARATELY ORDER 2496.
29			Valve	NOT SERVICED SEPARATELY ORDER 2496.
30	1102	4	Spring	
31			Valve	NOT SERVICED SEPARATELY ORDER 2496.
32	1101	4	Spring	
33	2482	4	Plug	
34	1040	2	Bridle	
35	353701X1	2	Screw Unc	
				NOT ILLUSTRATED
	2496	4	Valve	INCLUDES ITEMS 28,29 AND 31.
	4414	1	Stabiliser	
	353502X1	2	Screw Unf	
	353441X1	2	Lock Washer	
	2300	1	Fork	USE WITH 2425.
	106043	1	Fork	USE WITH 106041.
	2377	1	Screw	USE WITH 106041.
	353514X1	1	Screw Unf	USE WITH 2425.
	106045	1	Thruster	
	2273	4	Cap	

“20” TRACTOR PARTS LIST



Item	Part Number	Qty	Description	Comments
1			Stay	80 M/M PET., 85 M/M PET., 85 M/M V.O., 85 M/M L.O., 20C DIESEL Right Hand NOT SERVICED SEPARATELY ORDER ITEMS 20 THROUGH 23.
			Stay	Left Hand NOT SERVICED SEPARATELY ORDER ITEMS 20 THROUGH 23.
2	195647M1	1	Pin	
3	1935	1	Chain	
4	826413M91	1	Linch Pin	
	195346M1	1	Pin	
	195347M1	1	Ring	
5	2182	1	Rocker	
6	354068X1	1	Pin	
	75PS290B	1	Pin	
7	1240	1	Bush	
8	4114	1	Pin	
9	2013	1	Chain	
	195346M1	1	Pin	
	195347M1	1	Ring	
10	180855M91	1	Link	
11	1184	2	Bolt	
	353562X1	1	Screw Unf	
	1146	3	Washer	
	353426X1	3	Nut Unf	
12	7047	2	Link And Ball	Up to Serial or Engine Number 200,000 USE 180855M91.
	181351M91	1	Link	80 M/M PET., 85 M/M PET., 85 M/M V.O., 85 M/M L.O. Right Hand From Serial or Engine Number 200,001 85 M/M PET., 85 M/M V.O., 85 M/M L.O., 20C DIESEL.
	181353M91	1	Link	Left Hand From Serial or Engine Number 200,001 85 M/M PET., 85 M/M V.O., 85 M/M L.O., 20C DIESEL.
13	181350M91	1	Chain	INCLUDES ITEMS 15 AND:.
	195346M1	1	Pin	
	195347M1	1	Ring	
14	353927X1	2	Nut Unf	
	826770M1	2	Nut	USE AS REQUIRED.
	826770M1	2	Nut	USE AS REQUIRED.
	354059X1	2	Pin	
	353774X1	2	Washer	
15	135647M1	1	Pin	
16	8501	1	Bar	Right Hand INCLUDES ITEM 17 AND:.
	49943X	2	Rivet	
17	195646M91	2	Chain	INCLUDES ITEMS 18 AND 19.
18	195346M1	2	Pin	
19	195347M1	2	Ring	
20	1061	1	Chain	
21	7092	2	Stay	
22	7091	2	Stay	
23	353560X1	4	Screw Unf	
	353757X1	7	Washer	
	353426X1	4	Nut Unf	
24	8502	1	Link	Left Hand INCLUDES ITEM 17 AND:.
	49943	2	Rivet	
25	180485M1	1	Bar	

**Buy Now**



Our support email:

[ebooklibonline@outlook.com](mailto:ebooklibonline@outlook.com)