

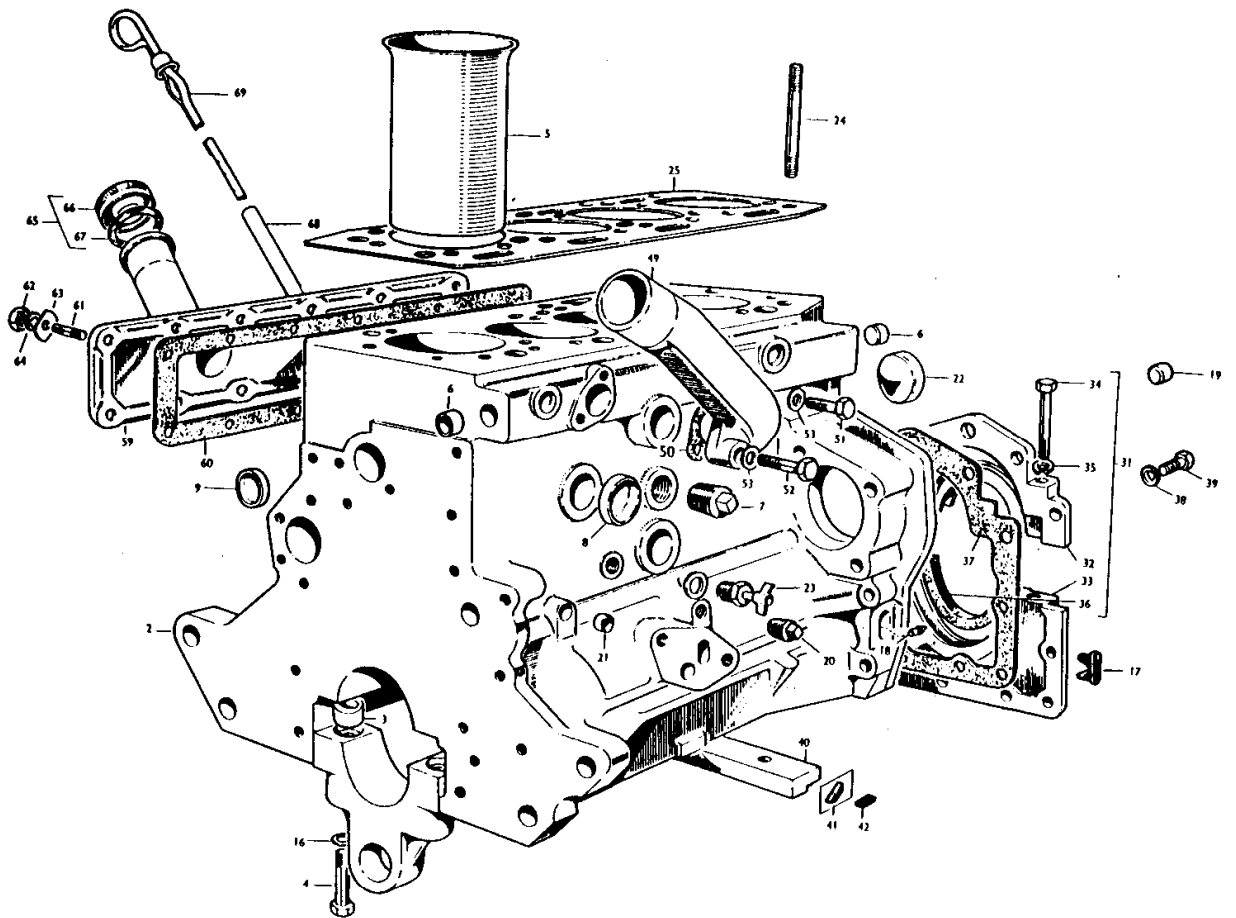
Page Title	Page Number
CYLINDER BLOCK - A4.300	3
CYLINDER BLOCK - A4.300	4
CRANKSHAFT - A4.300	7
CYLINDER HEAD COVER - A4.300	8
AIR INDUCTION SYSTEM - A4.300	11
TIMING GEAR - A4.300	12
LUBRICATING OIL SUMP - A4.300 - UP TO ENGINE NO. 6929118	16
LUBRICATING OIL SUMP - A4.300 - FROM ENGINE NO. 6929119	17C
LUBRICATING OIL FILTER - A4.300	19
WATER PUMP - A4.300	20
FUEL LIFT PUMP - A4.300	23
FUEL LIFT PUMP REPAIR KITS - A4.300	24
FUEL OIL FILTERS - A4.300	27
FUEL INJECTION PUMP - A4.300	28
ELECTRICAL EQUIPMENT - A4.300	31
JOINTS AND GASKETS - A4.300	32
GRAIN DIVIDER - RIGHT HAND	35
GRAIN DIVIDER	40
GRAIN DIVIDER	44
GRAIN DIVIDER	48
EXTENSION DIVIDER	52
EXTENSION DIVIDER	56
RIGID DIVIDER	59A
RIGID DIVIDER	59D
DEFLECTOR KITS - TO SERVICE FLOATING DIVIDERS	59H
EXTENSION RIGID DIVIDERS	59J
FENDER ROD KIT	59M
FENDER ASSEMBLY - QUICK ATTACH TABLE	60
TABLE	63
TABLE - QUICK ATTACH	68
TABLE	71A
EAR LIFTER	71E
GRASS SEED KIT	71H
GRASS SEED KIT	71J
TRAILER - QUICK ATTACH TABLE - BAGGER MODEL	72
SENSING FINGERS	76
SENSING FINGERS - QUICK ATTACH TABLE	80
SENSING FINGERS - QUICK ATTACH TABLE	81C
TABLE SKIDPLATES - QUICK ATTACH TABLE - BAGGER MODEL - FOR USE ON MACHINES WITHOUT AUTOMATIC TABLE HEIGHT CONTROL	83
KNIFE AND KNIFE DRIVE ARRANGEMENT	84
KNIFE & KNIFE DRIVE PULLEYS - QUICK ATTACH TABLE -BAGGER MODEL	91
WOBBLE KNIFE DRIVE - QUICK ATTACH TABLE	92
PICK-UP REEL 8' 6 - AND FOR PICK-UP REELS 10' & 12'	95
PICK-UP REEL 14' - AND FOR PICK-UP REELS 10' & 12'	99
PICK-UP - QUICK ATTACH TABLE - BAGGER MODEL	100
BATT REEL	104
BATT REELS - QUICK ATTACH TABLE - BAGGER MODEL	107
REEL LIFT FRAME AND PULLEYS	108
REEL LIFT ARMS, AND PULLEYS - QUICK ATTACH TABLE	115
'HC' SECTION BELT REEL DRIVE KIT	117B
REEL LIFT ARMS AND PULLEY	117C
REEL DRIVE VARIABLE SPEED PULLEYS AND TABLE AUGER SLIP CLUTCH	119
AUGER AND REEL DRIVE - QUICK ATTACH TABLE	123
SPARES KIT ASSEMBLY - REEL DRIVE	125C
GUARD ASSEMBLIES TABLE	127
TABLE GUARDS - QUICK ATTACH	128
TABLE GUARDS	129B
TABLE AUGER	131
TABLE GUARDS - QUICK ATTACH	135
DRIVES SHAFT AND AUGER DRIVE - QUICK ATTACH	139
TABLE ELEVATOR HOUSING	140
TABLE ELEVATOR HOUSING	144
CONVERSION KIT - SPLINE COUPLING TO SQUARE DRIVE COUPLING	147A
COUPLING CONVERSION KITS - SQUARE SPLINE COUPLING TO SQUARE TAPER COUPLING	147D
ANTIWIND KIT	148
ANTIWIND KIT	149B

TABLE OF CONTENT

00

ELEVATOR TO CYLINDER	151
ELEVATOR TO CYLINDER - QUICK ATTACH	152
CORN HEAD ATTACHMENT KIT	155
CONCAVE CONTROL LINKAGE	156
CONCAVE ARRANGEMENT	159
CYLINDER	163
CYLINDER HOUSING	164
CYLINDER DRIVE	171
CYLINDER DRIVE GEARBOX - RICE MACHINE	175A
REAR BEATER ARRANGEMENT	176
TOP SHAFT AND CLUTCH CONTROLS	179
MAIN COUNTERSHAFT	183
REMOTE GREASER KIT	187
MAIN COUNTERSHAFT LUBRICATION	188
SEPARATOR CLUTCH LINKAGE	192
SEPARATOR CLUTCH	195
TRACTION DRIVE ARRANGEMENT - TANKER MODEL	196
TRACTION DRIVE ARRANGEMENT - BAGGER MODEL	199
TRACTION CLUTCH CONTROLS	203
TRACTION CLUTCH	204
CLUTCH STOP	207
TRACTION GEAR BOX	208
TRACTION GEARCHANGE CONTROLS	212
TRACTION GEARCHANGE CONTROLS	216
PARKING BRAKE	223
PARKING BRAKE	224
PARKING BRAKE	227
TURNING BRAKES	228
TURNING BRAKE CONTROLS	231
TURNING BRAKE CONTROLS	236
FINAL DRIVE	243
AXLE FRAME AND FRONT WHEELS	247
GRAIN PAN ARRANGEMENT	248
GRAIN PAN - HEAVY DUTY	251A
SHAKER SHOE ARRANGMENT	252
STRAW WALKERS AND PAN	256
STRAW WALKER BODY AND HOOD	260
STRAW WALKER BODY	267
MAIN HANDRAILS - BAGGER PLATFORM - BAGGER MODEL	271
HOOD ARRANGEMENT	275

CYLINDER BLOCK A4.300

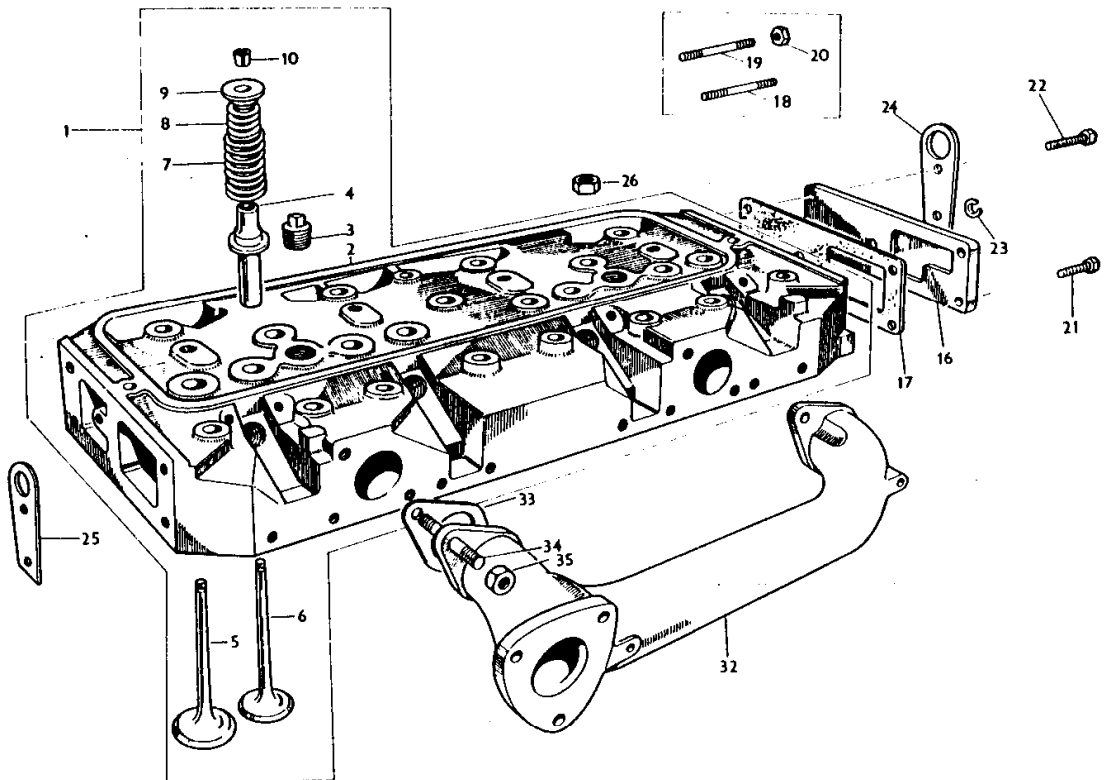


CYLINDER BLOCK - A4.300

Item	Part Number	Qty	Description	Comments
				A4.300
1	89843	1	Block	* (G)
	87972	1	Kit,Cyl.Block	(F)
2		1	Block	ORDER ASSEMBLY
3	33142111	10	Thimble	
4	32166314	10	Setscrew	
5	31358507	4	Liner	
6	32417122	2	Plug	
7	0650588	1	Plug	
8	0650563	5	Plug	Left Hand (A)
9	0650577	4	Plug	Right Hand (B)
16	0760001	10	Shim	
17	0650588	1	Plug	
18	32715119	1	Pin	
19	0650566	1	Plug	
20	0650594	1	Plug	
21	0650507	1	Plug	(H)
22	32416106	1	Plug	
23	31419	1	Cock	
24	32526307	17	Stud	
25	36812332	1	Gasket	
31	80311		Kit, Housing	
32		1	Housing	Not serviced, order 80311
33		1	Housing	Not serviced, order 80311
34	0096238	2	Bolt	
35	0920053	2	Washer	
36	36883108	2	Seal	
37	36817137	1	Joint	
38	0746211	12	Bolt	
39	0920053	12	Washer	
40	38124771	1	Bridge Piece	(C)
41	36843141	2	Strip	(D)
42	36843144	2	Seal	(E)
49	37736361	1	Connector	
50	36861419	1	Gasket	
51	0096232	1	Bolt	
52	0096234	1	Bolt	
53	2411152	2	Washer	
59	37554536	1	Cover	
60	36846411	1	Gasket	
61	0826203	10	Stud	
62	0576002	10	Nut	
63	36151505	10	Washer	
64	0920053	10	Washer	
65	2487841	1	Cap	
66		1	Cap	Not serviced, order 2487841
67	24870001	1	Joint	
68	33243405	1	Tube	
69	31787423	1	Dipstick	

(A)
 9 FITTED UP TO ENGINE NO. 6903377
 (B)
 FROM ENGINE NO. 6903378
 (C)
 FIT ALSO 36843144 UP TO ENGINE NO. 6909303
 (D)
 UP TO ENGINE NO. 6909303
 (E)
 FROM ENGINE NO. 6909304
 (F)
 UP TO ENGINE NO. 6929118
 (G)
 FROM ENGINE NO. 6929119

CYLINDER HEAD A4-300

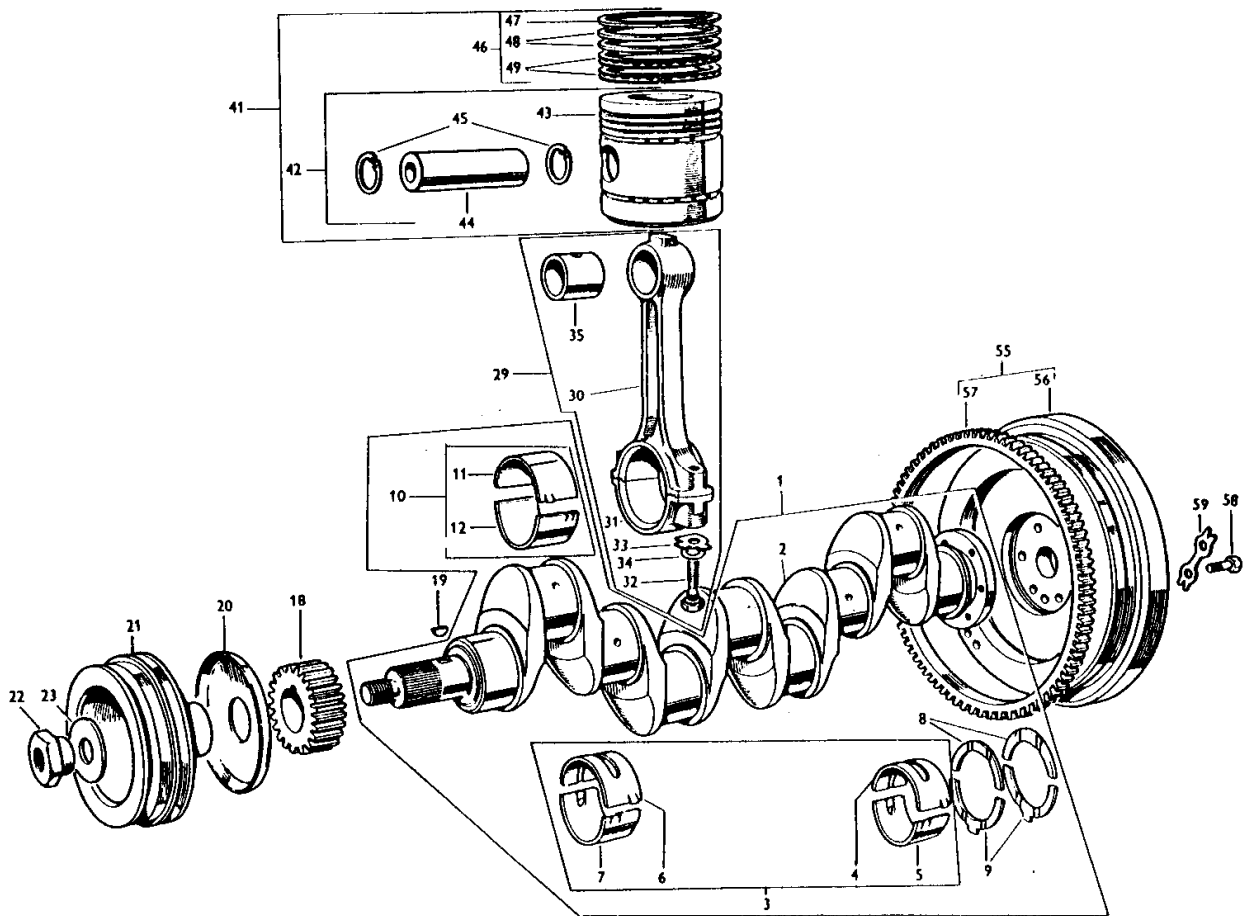


CYLINDER BLOCK - A4.300

Item	Part Number	Qty	Description	Comments
				A4.300
1	86526	1	Cylinder Head	(A)
	86919	1	Cylinder Head	(B)
2		1	Head	Not serviced, order 86526 OR 86919
3	2431154	6	Plug	
4	0420013	8	Guide	
5	0910030	4	Valve	
6	0910029	4	Valve	
7	0780096	8	Spring	(C)
	0780141	8	Spring	(D)
8	0780140	8	Spring	(D)
9	33423122	8	Cap	
10	33173108	8	Cotter	(E)
16	0240223	1	Plate	
17	0490253	1	Joint	
18	0826409	3	Stud	(C)
19	0826404	2	Stud	(C)
20	0576051	5	Nut	(C)
21	0746454	3	Setscrew	(D)
22	0096431	2	Bolt	(D)
23	0920054	5	Washer	
24	0940304	1	Plate	(F)
25	0940304	1	Plate	(G)
26	33221322	17	Nut	
32	37781731	1	Exhaust Manifold	
33	36834133	2	Gasket	
34	0826487	4	Stud	
35	2211224	4	Nut	

(A)
 UP TO ENGINE NO. 6922240
 (B)
 FROM ENGINE NO. 6922241
 (C)
 USED ONLY WITH HEAD 86526
 (D)
 USED ONLY WITH HEAD 86919
 (E)
 SERVICED IN MATCHED PAIRS
 (F)
 SECURED BY WATER PUMP BODY STUDS
 (G)
 SECURED BY REAR END COVER STUDS/SETSCREWS

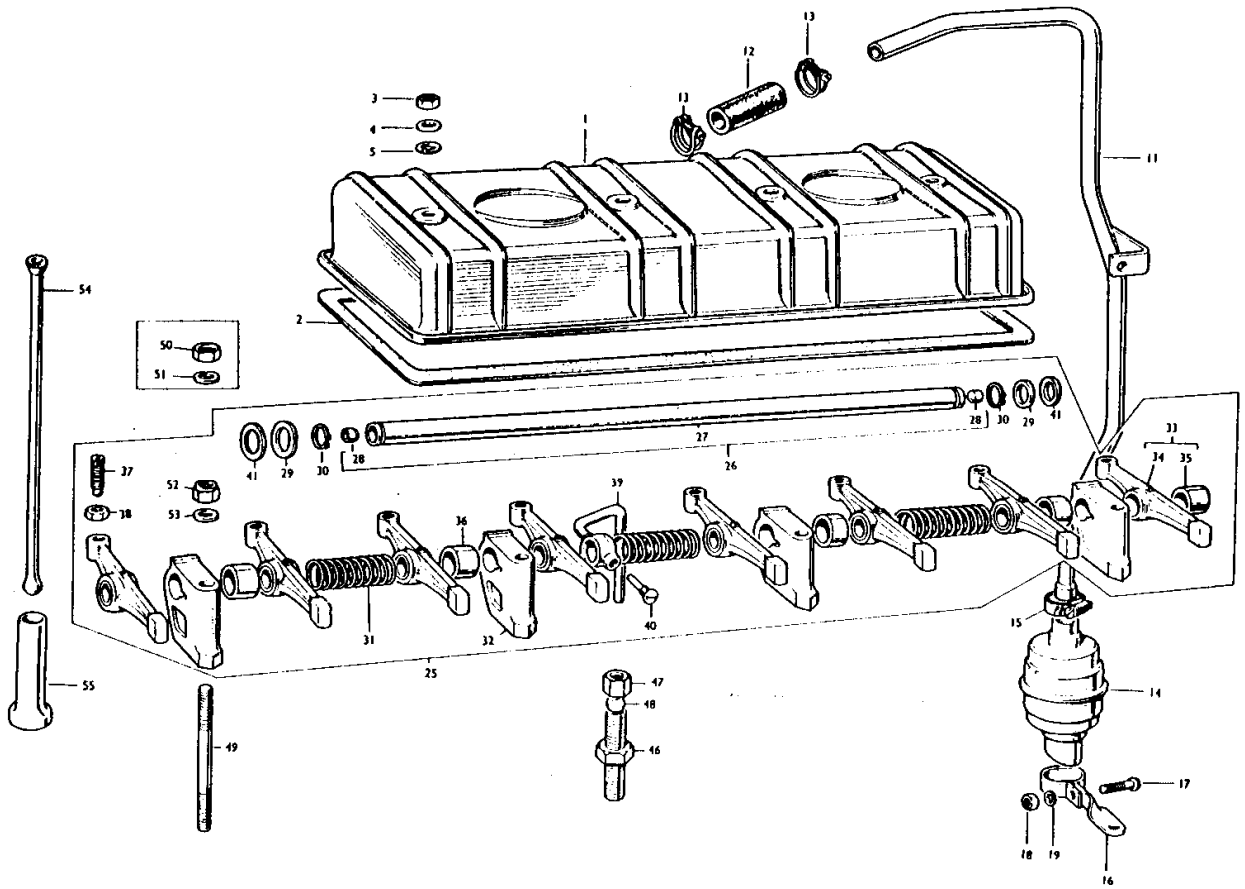
CRANKSHAFT A4.300



CRANKSHAFT - A4.300

Item	Part Number	Qty	Description	Comments
				A4.300
1	84420	1	Kit	
2		1	Crankshaft	Not serviced, order 84420
3	83392	1	Bearing	(A) 0.010"
3	83392A	X	Bearing	(A,B) 0.020"
3	83392B	X	Bearing	(A,B) 0.030"
3	83392C	X	Bearing	(A,B)
4		3		ORDER ASSEMBLY
5		3		ORDER ASSEMBLY
6		2		ORDER ASSEMBLY
7		2		ORDER ASSEMBLY
8	31137241	2	Washer	
	31137242	X	Washer	0.007" O/S Top (B)
9	31137231	2	Washer	
	31137232	X	Washer	0.007" O/S Bottom (B)
10	85041	1	Kit, Bearing	(A) 0.010"
10	85041A	X	Kit, Bearing	(A,B) 0.020"
10	85041B	X	Kit, Bearing	(A,B) 0.030"
10	85041C	X	Kit, Bearing	(A,B)
11		4		ORDER ASSEMBLY Top
12		4		ORDER ASSEMBLY Bottom
18	31165392	1	Gear,Crankshaft	
19	0500012	1	Woodruff Key	
20	33157516	1	Thrower	
21	31155262	1	Pulley	
22	0571212	1	Nut	
23	33125113	1	Washer	
29	59182	4	Rod	
30		1	Rod	Not serviced, order 59182
31		1	Cap	Not serviced, order 59182
32	0745065	2	Screw	
33	0920794	2	Washer	
34	33115408	2	Washer	
35	0050128	1	Bush	
41	83439	4	Piston	
42	82912	4	Kit, Piston	
43		1	Piston	Not serviced, order 82912
44		1	Pin	Not serviced, order 82912
45	0170037	2	Circlip	
46	84988	X	Kit, Piston Ring	
47		4	Compressor	Not serviced, order 84988
48		8	Groove Nut	Not serviced, order 84988
49		8	Scraper	Not serviced, order 84988
55	0999855	1	Flywheel	
56		1	Flywheel	Not serviced, order 0999855
57	0410264	1	Gear,Starterring	
58	0746851	6	Screw	
59	0921062	3	Tab Washer	
				(A) BEARINGS ARE PRE-FINISHED (B) NOT INCLUDED IN 84420

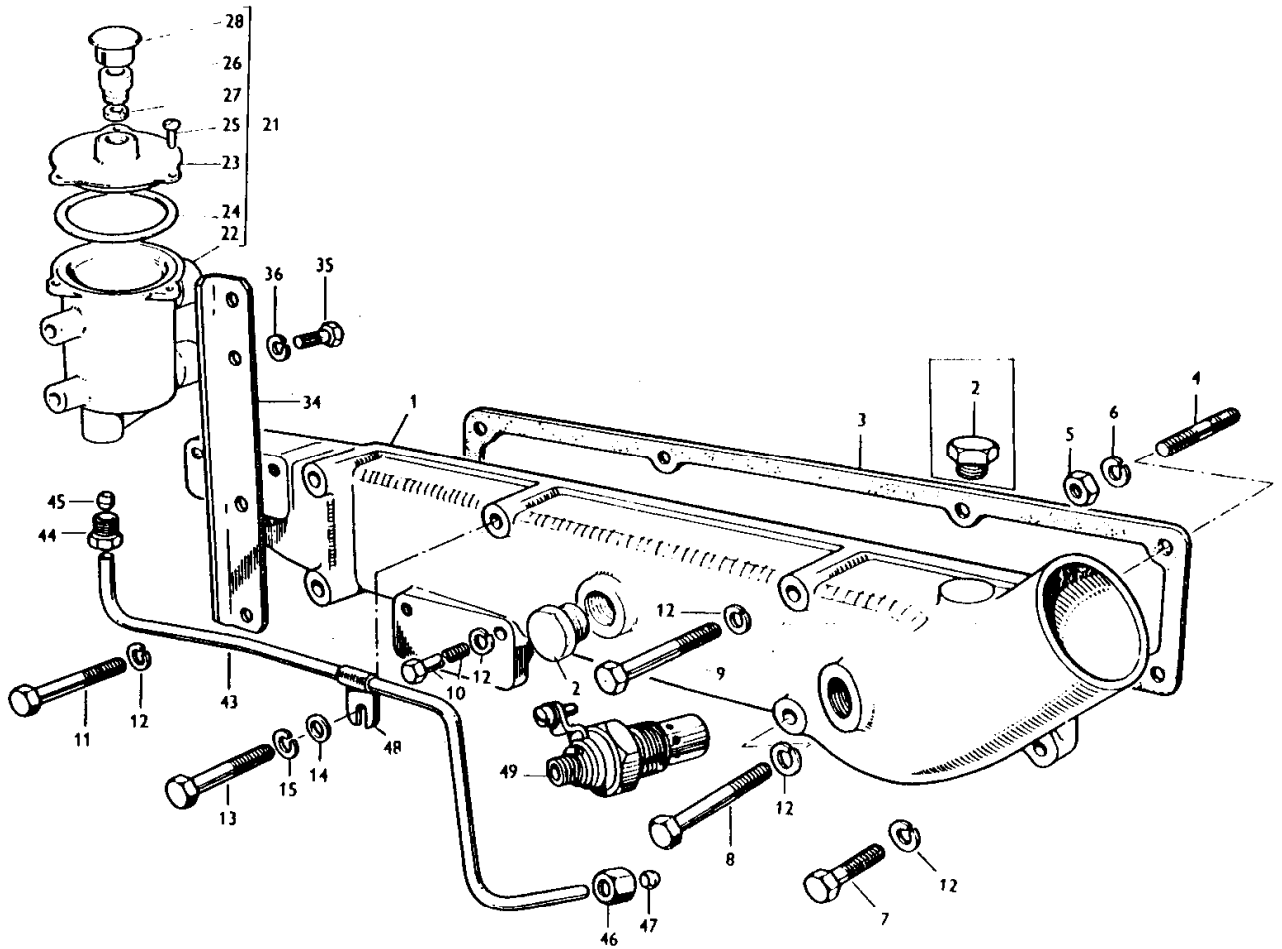
CYLINDER HEAD COVER A4.300



8

Item	Part Number	Qty	Description	Comments
				A4.300
1	37188537	1	Cover	
2	0490770	1	Joint	
3	0576104	4	Nut	
4	0920004	4	Washer	
5	0920306	4	Washer	
11	35736168	1	Pipe	
12	0202058	1	Hose	
13	0180103	2	Clip	
14	32579	1	Body	
15	0180063	1	Clip	
16	37335125	1	Clip	
17	2174565	1	Screw	
18	0576053	1	Nut	
19	0920051	1	Washer	
25	88459	1	Rocker Shaft Ass	* (A)
26	52706	1	Rocker Shaft	
27		1	Shaft	Not serviced, order 52706
28	0650507	2	Plug	
29	0330624	2	Washer	
30	0170033	2	Circlip	
31	0780095	3	Spring	
32	3752129	4	Bracket	* (A)
33	88460	8	Rocker	
34		1	Lever	Not serviced, order 88460
35	0050132	1	Bush	
36	0330623	4	Spacer	
37	0720579	8	Screw	
38	0576052	8	Nut	
39	0990871	1	Pipe,Oil	
40	0720580	1	Screw	
41	0760001	4	Shim	
46	0206002	1	Union	
47	0576111	1	Nut	
48	0566002	1	Olive	
49	0826493	4	Stud	
50	0576051	4	Nut	(B)
51	0920054	4	Washer	(B)
52	2211283	4	Nut	(C)
53	0920004	4	Washer	(C)
54	0700044	8	Pushrod	
55	0860009	8	Tappet	
				(A) FIT ALSO 0576104 & 0920004, UP TO ENGINE NO. 69038 17
				(B) UP TO ENGINE NO. 6903817
				(C) FROM ENGINE NO. 6903818

AIR INDUCTION SYSTEM A4.300



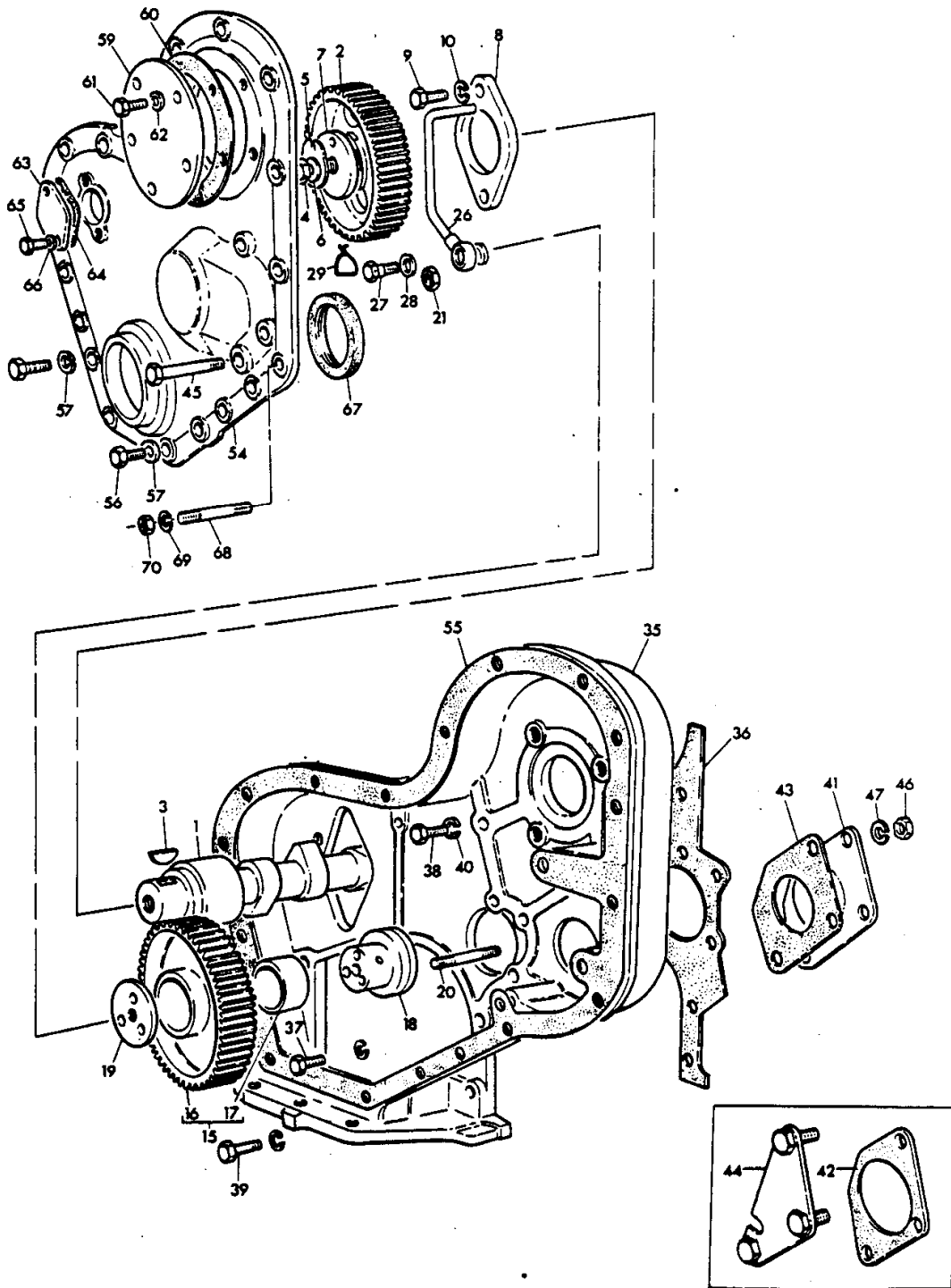
11

Item	Part Number	Qty	Description	Comments
				A4.300
1	37786265	1	Induct.Manifold	
2	0650204	1	Plug	(A)
	0650722	1	Plug	(B)
3	0490737	1	Joint	
4	0826223	1	Stud	
5	0576002	1	Nut	
6	0920053	1	Washer	
7	0746211	1	Bolt	
8	0096237	1	Bolt	
9	0096237	1	Bolt	
10	0096237	1	Bolt	
11	0096235	2	Bolt	
12	0920053	6	Washer	
13	0096235	1	Bolt	
14	0920003	1	Washer	
15	0920053	1	Washer	
21	41374423	1	Container	
22	37721561	1	Container	
23	37416501	1	Cap	
24	0490687	1	Joint	
25	2152173	3	Screw	
26	35629	1	Valve	
27	2413018	1	Washer	
28	37725118	1	Strainer	
34	36424415	1	Bracket	
35	0746051	2	Screw	
36	0920052	2	Washer	
42	41222044	1	Pipe	
43		1	Pipe	Not serviced, order 41222044
44	0571351	1	Nut	
45	0566002	1	Olive	
46	0576111	1	Nut	
47	0566002	1	Olive	
48	36568112	1	Clip	
49	2666103	1	Intake Heater	(A) (A) USED ONLY WITH 37783261 (B) USED ONLY WITH 37786264 (C) ITEMS SERVICED BY C.A.V. LTD.

12

TIMING GEAR A4.300

CPO.0932/2



TIMING GEAR - A4.300

Item	Part Number	Qty	Description	Comments
				A4.300
1	31415251	1	Camshaft	
2	31165411	1	Gear,Camshaft	
3	0500009	1	Woodruff Key	
4	2182122	1	Setscrew	
5	31733121	1	Washer	
6	33115408	1	Washer	
7	33153128	1	Washer	
8	36174119	1	Plate	
9	0746254	2	Setscrew	
10	0920053	2	Washer	
15	41115014	1	Gear,Idler	
16		1	Gear	Not serviced, order 41115014
17	2511483	1	Bush	
18	33426509	1	Hub	
19	33153123	1	Plate	
20	0826456	3	Stud	
21	0576104	3	Nut	
26	35521107	1	Tube	
27	0095345	1	Bolt	
28	0921168	2	Washer	
29	0930001	1	Wire	
35	37161601	1	Housing	(A)
	37161681	1	Housing	(B)
36	36814118	1	Gasket	
37	0746255	2	Setscrew	
38	0746211	8	Bolt	
39	0096231	2	Setscrew	
40	0920053	11	Washer	
41	37556148	1	Plate	(C)
42	0490627	1	Joint	(D)
43	36861429	1	Joint	(E)
44	36811128	1	Gasket	(A)
45	2234041	3	Screw	(B)
46	0576051	3	Nut	(A)
	2238153	3	Nut	(B)
47	0920054	3	Washer	
54	37166651	1	Cover	(A)
	37166661	1	Cover	(F)
	37166681	1	Cover	(G)
55	36813131	1	Gasket	(A)
	36813134	1	Joint	(B)
56	0746255	19	Setscrew	(J)
57	0920053	17	Washer	
58	2411152	2	Washer	(K)
59	32413409	1	Cover	
60	33825415	1	Joint	
61	0746051	5	Screw	
62	2411151	5	Washer	
63	36171121	1	Plate	(H)
64	36832121	1	Joint	(H)
65	0746051	2	Screw	(H)
66	2411151	2	Washer	(H)
67	2414306	1	Seal	
68	0826210	1	Stud	(L)
69	0920053	1	Washer	(L)
70	0576002	1	Nut	(L)
				(A)
				UP TO ENGINE NO. 6907166
				(B)
				FROM ENGINE NO. 6907167
				(C)
				FIT ALSO 3681429 UP TO ENGINE NO. 6907513
				(D)
				UP TO ENGINE NO. 6907513
				(E)
				FROM ENGINE NO. 6907514
				(F)
				FROM ENGINE NO. 6907167 TO 6908302
				(G)

Buy Now



Our support email:

ebooklibonline@outlook.com