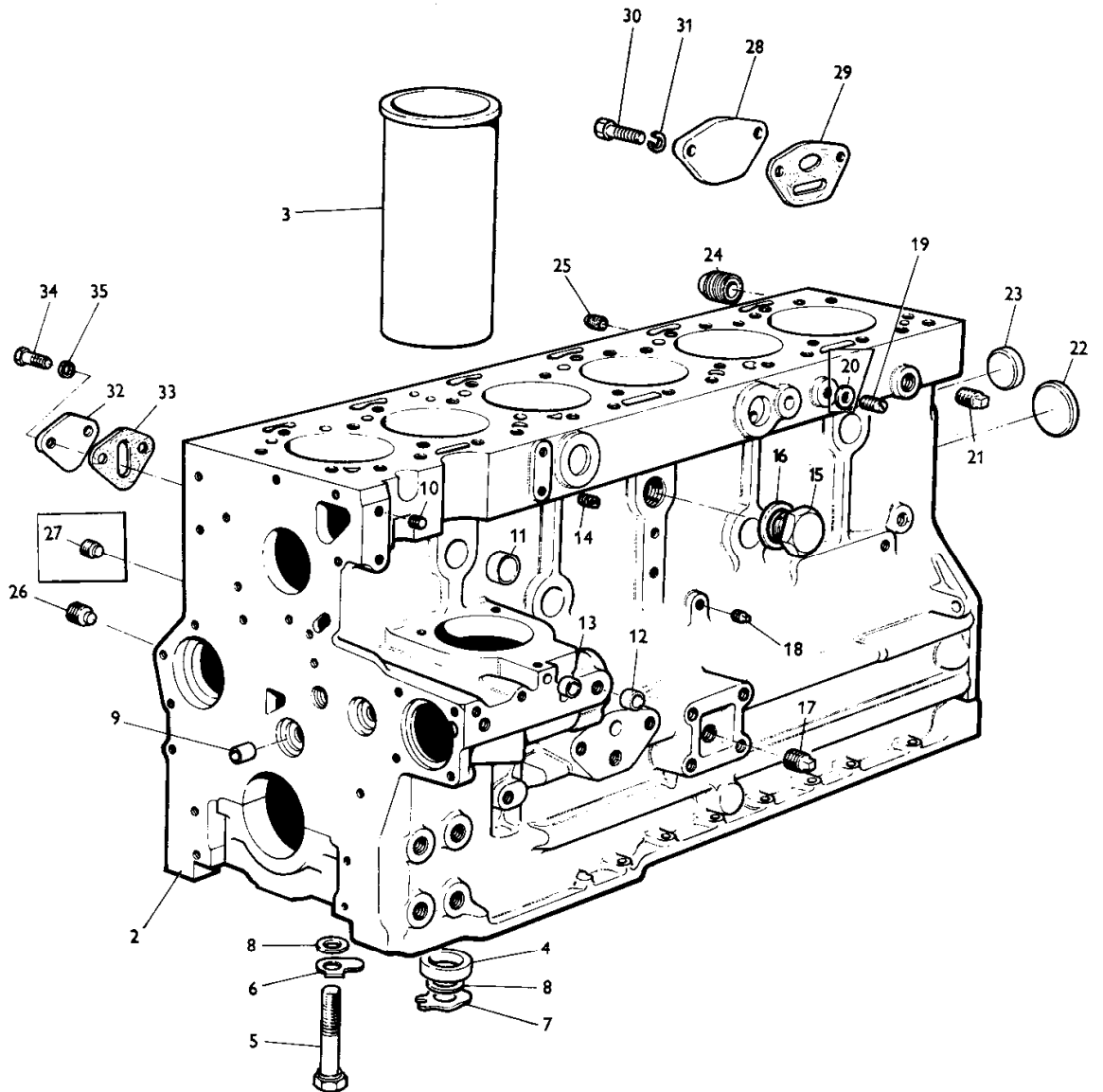


Page Title	Page Number
CYLINDER BLOCK - A6.354	3
CYLINDER BLOCK - A6.354	4
CYLINDER HEAD - A6.354	7
CRANKSHAFT - A6.354	11
CYLINDER HEAD COVER - A6.354	15
AIR INDUCTION - A6.354	16
TIMING GEAR - A6.354	19
LUBRICATING OIL SUMP - A6.354	20
LUBRICATING OIL FILTER - A6.354	23
WATER PUMP - A6.354	24
FUEL OIL LIFT PUMP - A6.354	27
FUEL OIL LIFT PUMP REPAIR KTIS - A6.354	28
FUEL OIL FILTERS - A6.354	31
FUEL INJECTION PUMP - A6.354	35
AUXILIARY DRIVE - A6.354	39
ELECTRICAL EQUIPMENT - A6.354	40
JOINTS AND GASKETS - A6.354	43
ENGINE INSTALLATION	44
REAR MOTOR HOUSING	48
COOLING SYSTEM	51
FUEL TANK ARRANGEMENT	52
WATER SEPARATOR - FUEL FILTER KIT	56
RADIATOR AIR INTAKE	59
AIR CLEANER	64
ENGINE COVER AND CONTROL PANEL	67
CONTROL BOX DETAILS	72
CONTROL BOX DETAILS - FOR AUTOMATIC TABLE HEIGHT CONTROL	76
ELECTRICAL EQUIPMENT	80
INSTRUMENT PANEL	84
FIELD LIGHTING EQUIPMENT	87
FIELD AND ROAD LIGHTING EQUIPMENT - U.K. ONLY	88
FIELD AND ROAD LIGHTING EQUIPMENT - U.K. ONLY	92
GRAIN DIVIDER R.H. - GRAIN	99
GRAIN DIVIDER L.H. - GRAIN	104
TABLE	108
TABLE LIFT HYDRAULIC FLOTATION KIT	115
SENSING FINGERS - 10'	116
KNIFE AND KNIFE DRIVE ARRANGEMENT	120
PICK-UP REEL (UP TO SERIAL NO. 2425)	127
PICK UP REEL	131
BATT REEL - 10'	135
REEL LIFT FRAME AND PULLEYS	136
REEL DRIVE VARIABLE SPEED PULLEYS AND TABLE AUGER SLIP CLUTCH	143
TABLE GUARDS	147
TABLE AUGER	148
TABLE ELEVATOR HOUSING	152
ANTIWIND KIT	156
ELEVATOR TO CYLINDER	159
CONCAVE CONTROL LINRAGE	163
CONCAVE ARRANGEMENT	164
CYLINDER	168
CYLINDER HOUSING	171
CYLINDER DRIVE	176
TOP SHAFT AND CLUTCH CONTROLS	183
REAR BEATER ARRANGEMENT	187
MAIN COUNTERSHAFT	191
MAIN COUNTERSHAFT LUBRICATION SYSTEM UP TO SERIAL NO. 2425	195
MAIN COUNTERSHAFT LUBRICATION SYSTEM	196
SEPARATOR CLUTCH CONTROL LINKAGE	200
SEPARATOR CLUTCH	203
TRACTION DRIVE ARRANGEMENT	204
TRACTION CLUTCH CONTROLS	207
CLUTCH STOP	208
TRACTION CLUTCH	211
TRACTION GEAR BOX	212
TRACTION GEARCHANGE CONTROLS	216

TABLE OF CONTENT

TRACTION GEARCHANGE CONTROLS	220
PARKING BRAKE	227
PARKING BRAKE CONTROL	228
TURNING BRAKE CONTROLS	231
TURNING BRAKES	236
FINAL DRIVE	239
AXLE FRAME AND FRONT WHEELS	243
GRAIN PAN ARRANGEMENT	244
SHAKER SHOE	248
STRAW WALKERS AND PAN	252
STRAW WALKER BODY AND HOOD	256
STRAW SPREADER	263
FANNING MILL	264
SMALL SEED KIT	268
COUNTERSHAFT, R.H. DRIVES ARRANGEMENT	271
GRAIN ELEVATOR	275
GRAIN TANK UNLOADER PIPE	280
GRAIN TANK	287
UNLOADER DRIVE AND CONTROL ARRANGEMENT	292
UNLOADER DRIVE SPARES KIT	296
CONTROLS FILLING AND UNLOADING	299
RETURNS ELEVATOR, SLIP CLUTCH AND ALARM	303
DRIVES AND GUARDS LH	308
SLINGER HOUSING	312
AUGER AND PITMAN CRANK	316
STEERING COLUMN ASSEMBLY	320
STEERING LINKAGE	324
FRAME AND REAR AXLE	328
REAR WHEELS & WEIGHTS	332
WHEEL WEIGHT CONVERSION KITS	335
OPERATORS SEAT	336
OPERATORS PLATFORM	339
HYDRAULIC PUMP DRIVE	344
HYDRAULIC TANK	347
HYDRAULIC PUMP ARRANGEMENT UP TO SERIAL NO. 2225	348
HYDRAULIC PUMP ARRANGEMENT UP TO SERIAL NO. 2225	352
CONTROL VALVE	356
VALVE SEAL KITS	360
TABLE LIFT ARRANGEMENT UP TO SERIAL NO. 2225	363
TABLE LIFT ARRANGEMENT FROM SERIAL NO. 2226	364
REEL LIFT ARRANGEMENT, MASTER CYLINDER UP TO SERIAL NO. 2225	368
REEL LIFT ARRANGEMENT, MASTER CYLINDER FROM SERIALNO. 2226 - UP TO SERIAL NO. 5196	372
REEL LIFT ARRANGEMENT, SLAVE CYLINDER UP TO SERIALNO. 2225	376
REEL LIFT ARRANGEMENT, SLAVE CYLINDER FROM SERIAL NO. 2226 - UP TO SERIAL NO. 5196	380
REEL LIFT ARRANGEMENT	384
REEL LIFT RAMS AND DIVERTER VALVE	388
SECONDARY SERVICE TO REEL SPEED	392
REEL SPEED ARRANGEMENT	395
TRACTION RAM ARRANGEMENT	396
TRACTION RAM ARRANGEMENT	399
POWER STEERING ARRANGEMENT	400
POWER STEERING ARRANGEMENT	404
POWER STEERING VALVE AND FLOW DIVIDER	408
POWER STEERING VALVE AND CYLINDER	411
HYDRAULIC UNLOADER SPOUT	412
HYDRAULIC UNLOADER SPOUT	416
TRANSFERS-FRENCH - ENGLISH	420
TRANSFERS-FRENCH - FRENCH	423
TRANSFERS-FRENCH - GERMAN	424
TRANSFERS SPANISH	427
BELTS	428
CHAINS - 1/2A.S.A	431
TOOLS	435

C.P.O. 4044



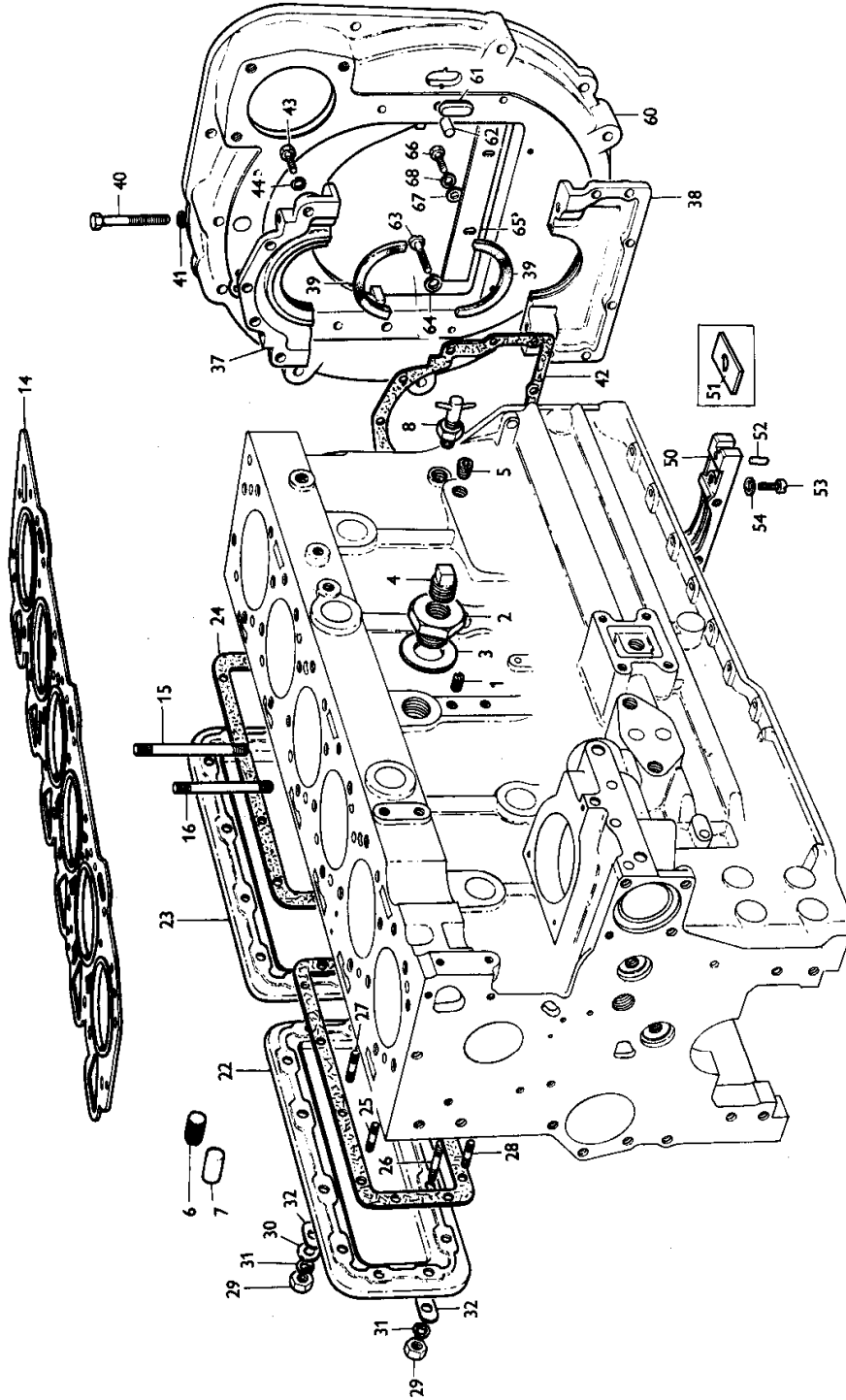
CYLINDER BLOCK - A6.354

Item	Part Number	Qty	Description	Comments
				A6.354
1	81642	1	Kit,Cyl.Block	(A)
	84602	1	Kit,Cyl.Block	(B)
	84365	1	Kit,Cyl.Block	(C)
2		1	Block	ORDER ASSEMBLY
3	31358306	6	Liner	(D)
	31358324	6	Liner	(E)
	31358328	6	Liner	(F)
4	33142111	14	Thimble	
5	32166314	14	Setscrew	
6	0920795	2	Washer	(H)
7	31733119	12	Tab Washer	(H)
8	0760001	14	Shim	(H)
9	0650566	2	Plug	
10	32114461	1	Plug	(G)
11	0650563	6	Plug	
12	32417115	3	Plug	(H)
13	32417134	2	Plug	(H)
14	32114116	2	Plug	(H)
15	32161323	1	Plug	(G)
16	2411170	1	Washer	(G)
17	0650586	1	Plug	(H)
18	0650594	2	Plug	(G)
19	32114116	2	Plug	(G)
20	2411152	2	Washer	(J)
21	0650593	1	Plug	(G)
22	32416105	1	Plug	(H)
23	0650577	1	Plug	
24	0650588	3	Plug	
25	32417133	1	Plug	(H)
26	0650593	1	Plug	(G)
27	32114461	4	Plug	(G)
				Right Hand
28	36232108	1	Plate	(G)
29	36862525	1	Joint	(G)
30	0746651	2	Screw	(G)
31	0920055	2	Washer	(G)
32	0941020	1	Plate	(G)
33	36862152	1	Joint	(G)
34	0746254	2	Setscrew	(G)
35	0920053	2	Washer	(G)
				(A)
				Up to Serial or Engine Number 8829999
				(B)
				FROM ENGINE NO. 8835368, FITTED ON PRODUCTION ONLY USE SERVICE
				BLOCK 84365
				(C)
				From Serial or Engine Number 8835368
				From Serial or Engine Number 8830000
				Up to Serial or Engine Number 8835367
				USE 84365 WITH 31137311 AND 31137321
				(D)
				SERVICED INDIVIDUALLY UP TO ENGINE NO. 8835367 FOR ENGINE SETS UP TO
				ENGINE NO. 8822393 USE 31358324
				36812523
				(E)
				FROM SERIAL NO. 8822394, USED ONLY WITH 81642 AND 84602
				(F)
				USED ONLY WITH 84365
				(G)
				INCLUDED IN 84365, BUT NOT REQUIRED ON THIS APPLICATION
				(H)
				NOT INCLUDED IN 81642
				(J)
				USED ONLY WITH OLD PLUG 0746252

4

CYLINDER BLOCK A6.354  
(CONTINUED)

C.P.O. 0896/2



Printed in U.K.

500 Combine

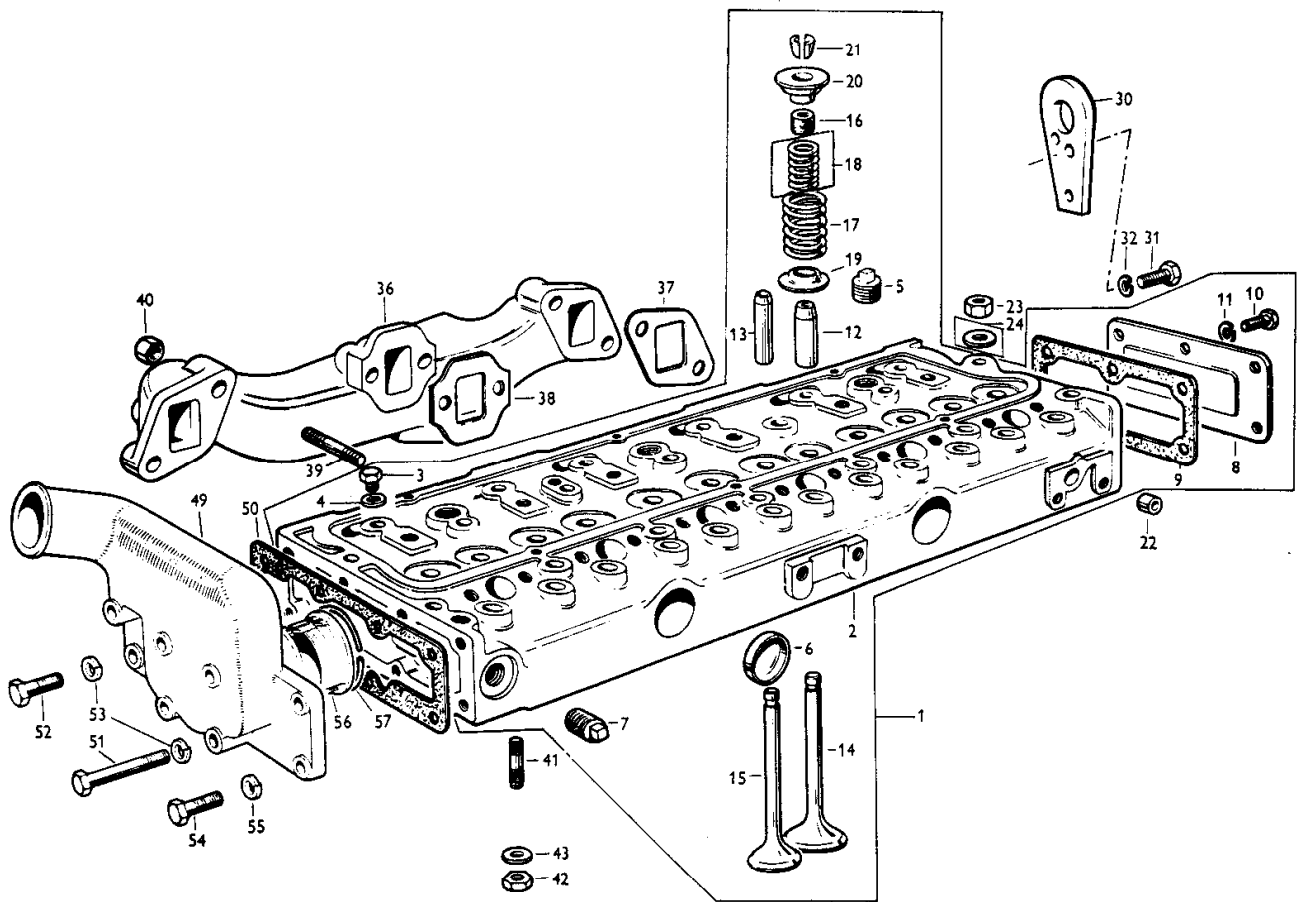
819 506 M1(Issue 1 )5/69

CYLINDER BLOCK - A6.354

Item	Part Number	Qty	Description	Comments
				A6.354
1	32114116	2	Plug	
2	33534117	1	Adaptor	
3	2411170	1	Washer	
4	0650588	1	Plug	
5	2431131	1	Plug	
6	0650586	1	Plug	(G)
7	32417117	1	Plug	
8	31419	1	Cock	
14	36812523	1	Gasket	(A)
	36812522	1	Gasket	(B)
15	32524117	20	Stud	(A)
	32526311	20	Stud	(B)
16	32524131	12	Stud	(A)
	32526312	12	Stud	(B)
22	37554114	1	Cover	
23	37554118	1	Cover	
24	36846408	2	Joint	
25	0826241	1	Stud	(C)
26	0826227	2	Stud	(D)
27	0826242	2	Stud	(E)
28	0826220	19	Stud	
29	0576002	24	Nut	
30	0920003	2	Washer	(E)
31	0920053	24	Washer	
32	36151505	24	Washer	
36	59537	1	Kit, Housing	
37		1		ORDER ASSEMBLY
38		1		ORDER ASSEMBLY
39	36883108	2	Seal	
40	0096238	2	Bolt	
41	0920053	2	Washer	
42	36817136	1	Joint	
43	0746211	11	Bolt	
44	0920053	11	Washer	
50	36277831	2	Bridge Piece	
51	36841114	4	Gasket	(F)
52	32811408	4	Joint	
53	2176369	4	Screw	
54	0920521	4	Washer	
60	37147642	1	Plate	
61	37813113	1	Plug	
62	32455119	2	Dowel	
63	0746424	6	Bolt	
64	0920054	6	Washer	
65	36125305	1	Cover	
66	0746253	3	Screw	
67	0920003	3	Washer	
68	0920053	3	Washer	

(A)  
 Up to Serial or Engine Number 8829999  
 (B)  
 From Serial or Engine Number 8830000  
 (C)  
 ALSO SECURES LIFT PUMP TO PRIMARY FILTER PIPE  
 (D)  
 ALSO SECURES CUT OUT & REGULATOR BRACKET  
 (E)  
 ALSO SECURES DYNAMO REAR SUPPORT BRACKET  
 (F)  
 NO LONGER REQUIRED ON THIS APPLICATION  
 (G)  
 From Serial or Engine Number 8840032

C.P.O. 0897/1



CYLINDER HEAD - A6.354

Item	Part Number	Qty	Description	Comments
				A6.354
1	82617	1	Cylinder Head	(A)
	82618	1	Cylinder Head	(B)
	86551	1	Cylinder Head	(C)
2		1	Head	ORDER ASSEMBLY
3	0650203	1	Plug	(D)
4	2411157	1	Washer	(D)
5	2431154	3	Plug	
6	0650563	2	Plug	
7	2431127	1	Plug	(E) LEFT
7	2431154	1	Plug	(L) LEFT
8	0940737	1	Plate	
9	0490485	1	Joint	
10	0746254	6	Setscrew	
11	0920053	6	Washer	
12	33261732	6	Guide	
13	33261752	6	Guide	
14	31431103	6	Valve	
15	31431104	6	Valve Exhaust Deflector	
16	33817402	6	Deflector	
17	0780272	12	Spring	
18	0780273	12	Spring	(F)
19	33123117	12	Washer	
20	33423122	12	Cap	
21	33173108	12	Cotter	(G)
22	0650714	1	Plug	LEFT
23	33221312	32	Nut	(H)
	33221316	32	Nut	(C)
24	0920006	32	Washer	(F)
30	36177111	1	Plate	
31	0746453	2	Setscrew	
32	0920054	2	Washer	
36	37782222	1	Manifold	(A)
	37782262	1	Manifold	(J)
37	36862124	2	Joint	
38	36862125	1	Joint	(A)
	36862129	1	Joint	(J)
39	0826450	6	Stud	
40	2211224	6	Nut	
41	0826403	3	Stud	
42	0576065	3	Nut	
43	0920004	3	Washer	
49	37765611	1	Body	
50	36846113	1	Joint	
51	0096239	5	Bolt	(K)
52	0746211	1	Bolt	
53	0920053	6	Washer	
54	0096433	2	Bolt	(M)
55	0920054	2	Washer	
56	2485637	1	Thermostat	
57	31736112	1	Circlip	

(A)  
Up to Serial or Engine Number 8821527

(B)  
From Serial or Engine Number 8821528

Up to Serial or Engine Number 8829999

(C)  
From Serial or Engine Number 8830000

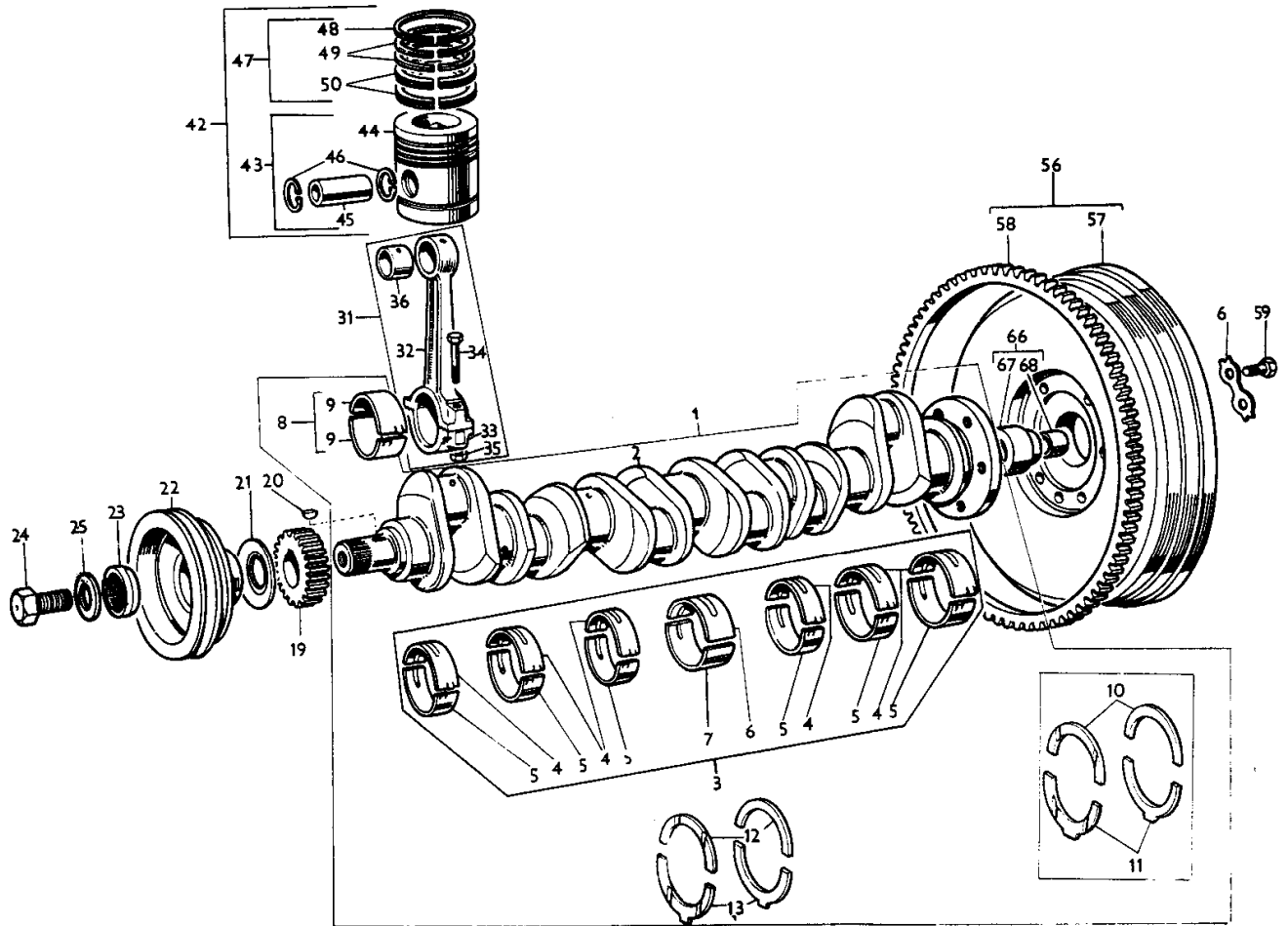
(D)  
INCLUDED IN 82617, 82618 AND 86551 BUT NOT REQUIRE D ON THIS APPLICATION

(E)  
INCLUDED IN 82617, 82618 AND 86551 BUT NOT REQUIRE D ON THIS APPLICATION - REMOVE AND FIT 2431154



Item	Part Number	Qty	Description	Comments
				(F) NO LONGER REQUIRED ON THIS APPLICATION
				(G) SERVICED IN MATCHED PAIRS
				(H) Up to Serial or Engine Number 8829999
				(J) From Serial or Engine Number 8821528
				(K) LOWER L.H. SETSCREW ALSO SECURES LIFT PUMP TO PRIMARY FILTER PIPE
				(L) NOT INCLUDED IN ASSEMBLY
				(M) ALSO SECURES FUEL FILTER BRACKET

C.P.O. 1685/1



CRANKSHAFT - A6.354

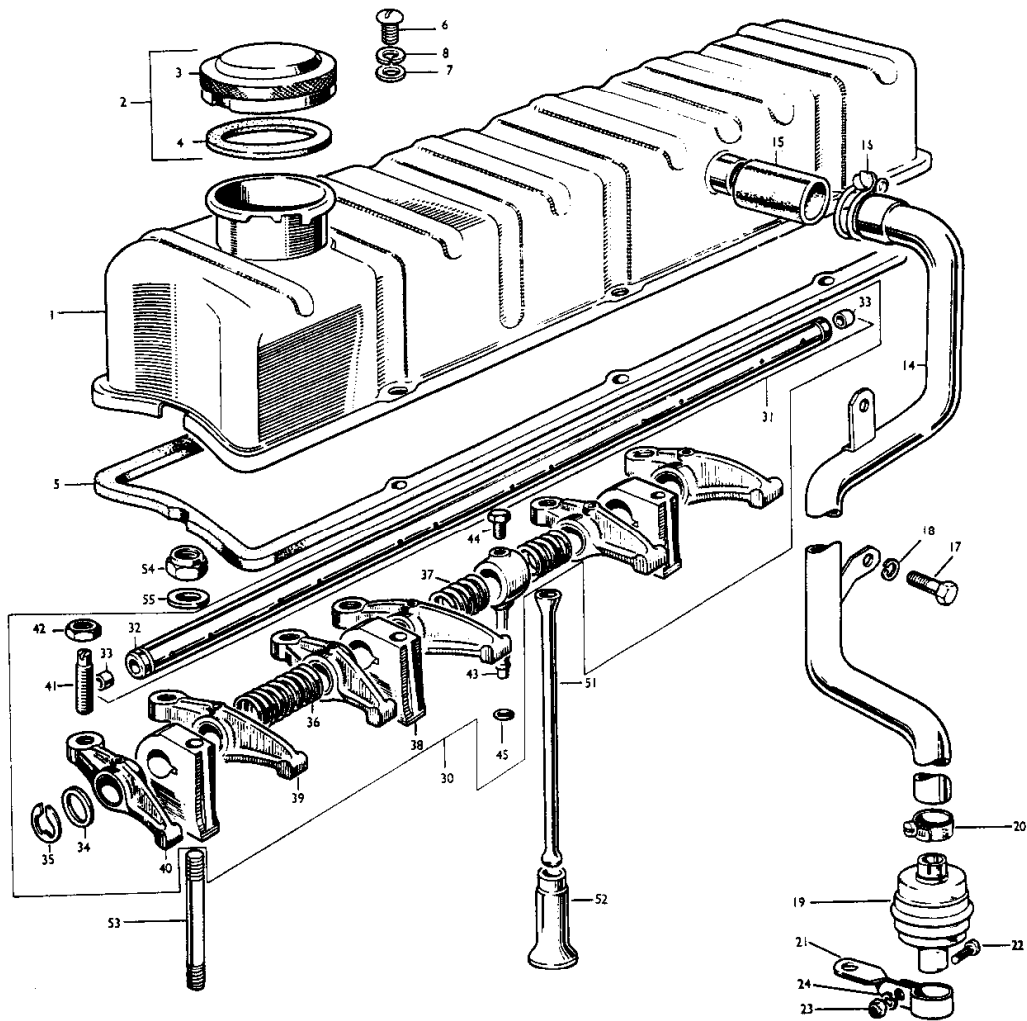
Item	Part Number	Qty	Description	Comments
				A6.354
1	85727	1	Kit, Crankshaft	
2		1	Crankshaft	ORDER ASSEMBLY
3	85010	1	Kit, Bearing	(A)
	85010A	X	Kit, Bearing	(A, B) (-) 0.010"
3	85010B	X	Kit, Bearing	(A, B) (-) 0.020"
3	85010C	X	Kit, Bearing	(A, B) (-) 0.030"
4		6		ORDER ASSEMBLY
5		6		ORDER ASSEMBLY
6		1		ORDER ASSEMBLY
7		1		ORDER ASSEMBLY
8	85043	1	Kit, Bearing	(A)
	85043A	X	Kit, Bearing	(A, B) (-) 0.010"
8	85043A	X	Kit, Bearing	(A, B) (-) 0.020"
8	85043C	X	Kit, Bearing	(A, B) (-) 0.030"
9		2	Top	Bottom
				ORDER ASSEMBLY
10	31137175	2	Washer	(C, K)
	31137176	X	Washer	(B, C, K) (+) 0.007"
11	31137181	2	Washer	(C, K)
	31137182	X	Washer	(B, C, K) (+) 0.007"
12	31137311	2	Washer	(L)
	31137312	X	Thrust Washer	(B, L) (+) 0.007"
13	31137321	2	Washer	(L)
	31137322	X	Thrust Washer	(B, L) (+) 0.007"
19	31171211	1	Gear	
20	0500012	1	Woodruff Key	
21	33415311	1	Flange	
22	31155272	1	Pulley	(D)
23	33177514	1	Ring	(E)
24	32162319	1	Screw	(F)
25	33153122	1	Washer	(G)
	33125124	1	Washer	(H)
31	84920C	6	Rod	(J)
	84920D	6	Rod	(J)
	84920E	6	Rod	(J)
32		1	Rod	ORDER ASSEMBLY
33		1	Cap	ORDER ASSEMBLY
34	32762116	1	Bolt	
35	33221321	2	Nut	
36	31134123	1	Bush	
42	82161	6	Piston	
43	86704	1	Piston	
44		1	Piston	Not serviced, order 86704
45		1	Gudgeon Pin	Not serviced, order 86704
46	0170002	2	Circlip	
47	81890	X	Kit, Ring	
48		1	Ring	Not serviced, order 81890
49		2	Ring	Not serviced, order 81890
50		2	Ring	Not serviced, order 81890
42	82161C	X	Piston	(+) 0.030"
43	86704C	1	Piston	(+) 0.030"
44		1	Piston	Not serviced, order 86704C
45		1	Gudgeon Pin	Not serviced, order 86704C
46	0170002	2	Circlip	
47	81890C	X	Kit, Ring	(+) 0.030"
48		1	Ring	(+) 0.030"

CRANKSHAFT - A6.354

Item	Part Number	Qty	Description	Comments
49		2	Ring	Not serviced, order 81890C (+) 0.030"
50		2	Ring	Not serviced, order 81890C (+) 0.030"
56	0999854	1	Flywheel	
57		1	Flywheel	Not serviced, order 0999854
58	0410264	1	Ring	
59	32162203	6	Screw	
60	0921062	3	Tab Washer	
66	41425708	1	Adaptor	
67		1	Adaptor	Not serviced, order 41425708
68	2513246	1	Bush	

(A)  
 BEARINGS ARE PREFINISHED  
 (B)  
 NOT INCLUDED IN 85727  
 (C)  
 NOT REQUIRED ON THIS APPLICATION  
 (D)  
 FROM ENGINE NO. 8833170, UP TO SERIAL NO. 8833169 USE 31155272 WITH  
 33177514  
 (E)  
 USE WITH 31155272  
 (F)  
 FIT ALSO WASHER 33125124 UP TO ENGINE NO. 8820716  
 (G)  
 Up to Serial or Engine Number 8820716  
 (H)  
 From Serial or Engine Number 8820717  
 (J)  
 THE GRADE NUMBER IS LOCATED ON THE MACHINE PORTION OF THE  
 CONNECTING ROD ADJACENT TO THE BOLT HOLE  
 (K)  
 USED ONLY WITH CYLINDER BLOCK 81642 & 83332  
 (L)  
 USED ONLY WITH CYLINDER BLOCK 84365 & 84602

C.P.O. 0899/1



**Buy Now**



Our support email:

[ebooklibonline@outlook.com](mailto:ebooklibonline@outlook.com)