

Page Title	Page Number
CYLINDER BLOCK - A6.354	3
CYLINDER BLOCK - A6.354	4
CYLINDER HEAD - A6.354	8
CRANKSHAFT - A6.354	11
CYLINDER HEAD COVER - A6.354	15
AIR INDUCTION SYSTEM - A6.354	19
TIMING GEAR - A6.354	20
LUBRICATING OIL SUMP - A6.354	24
LUBRICATING OIL FILTER - A6.354	28
WATER PUMP - A6.354	31
FUEL LIFT PUMP - A6.354	35
FUEL LIFT PUMP REPAIR KITS - A6.354	36
OIL FILTER - A6.354	39
FUEL INJECTION PUMP - A6.354	43
AUXILIARY DRIVE - A6.354	47
ELECTRICAL EQUIPMENT - A6.354	48
JOINTS AND GASKETS - A6.354	51
ENGINE INSTALLATION	52
REAR MOTOR HOUSING	55
COOLING ARRANGEMENT	56
AIR CLEANER	59
AIR CLEANER	60
FUEL TANK ARRANGEMENT	63
WATER SEPARATOR - FUEL FILTER KIT - FUEL FILTER KIT - 3.06 ENGINE	68
RADIATOR AIR INTAKE - AIR INTAKE - OVER BONNET	71
GRAIN DIVIDER	76
GRAIN DIVIDER	80
EXTENSION DIVIDERS - QUICK ATTACH	84
RIGID DIVIDER	88
GRAIN DIVIDER	92
GRAIN DIVIDER	96
EXTENSION DIVIDERS - QUICK ATTACH	100
RIGID DIVIDER	104
EXTENSION RIGID DIVIDERS - RIGID	107
FENDER ROD KIT	108
FENDER ASSEMBLY - QUICK ATTACH	111
TABLE	112
TABLES - QUICK ATTACH	119
TABLES - QUICK ATTACH	124
DIRECT CUT GRASS SEED KIT	128
TABLE TRAILER	132
SENSING FINGERS	136
TABLE SKIDPLATES - QUICK ATTACH	140
SENSING FINGERS - QUICK ATTACH	143
SENSING FINGERS - CONVERSION KIT	147
SENSING FINGERS - QUICK ATTACH	148
KNIFE AND KNIFE DRIVE ARRANGEMENT	152
KNIFE & KNIFE DRIVE PULLEYS - QUICK ATTACH	156
WOBBLE KNIFE DRIVE	159
PICK UP REEL	163
PICK UP REEL - PICKUP	164
BATT REEL	171
BATT REEL - QUICK ATTACH	172
REEL LIFT FRAME AND PULLEYS	175
REEL LIFT ARMS AND PULLEY	179
REEL DRIVE VARIABLE SPEED PULLEYS AND TABLE AUGER SLIP CLUTCH	183
AUGER AND REEL DRIVE	184
REEL DRIVE VARIATOR KIT	191
TABLE GUARDS	192
TABLE GUARDS - QUICK ATTACH	195
TABLE AUGER	196
TABLE AUGER - QUICK ATTACH	200
DRIVE SHAFT & AUGER DRIVE - QUICK ATTACH	204
TABLE ELEVATOR HOUSING	208
TABLE ELEVATOR HOUSING	211
COUPLING CONVERSION KITS - SPLINE COUPLING TO SQUARE DRIVE COUPLING	216

TABLE OF CONTENT

COUPLING CONVERSION KITS - SQUARE SPLINE COUPLING TO SQUARE TAPER COUPLING	219
ANTIWIND KIT	220
ELEVATOR TO CYLINDER	223
ELEVATOR TO CYLINDER - QUICK ATTACH	224
CONCAVE CONTROL LINRAGE	227
CONCAVE ARRANGEMENT	228
CYLINDER	232
CYLINDER HOUSING	235
CYLINDER DRIVE	243
GEARBOX - CYLINDER DRIVE	248
TOP SHAFT AND CLUTCH CONTROLS	251
REAR BEATER ARRANGEMENT	255
MAIN COUNTERSHAFT	256
MAIN COUNTERSHAFT LUBRICATION SYSTEM	260
SEPARATOR CLUTCH LINKAGE	264
SEPARATOR CLUTCH	267
TRACTION DRIVE	268
TRACTION CLUTCH	272
TRACTION CLUTCH CONTROLS	275
CLUTCH STOP	276
TRACTION GEAR BOX - TRACTION	279
TRACTION GEARCHANGE CONTROLS	283
PARKING BRAKE	287
PARKING BRAKE CONTROL - CONTROLS	288
PARKING BRAKE CONTROL - CONTROLS	291
TURNING BRAKE CONTROLS	292
TURNING BRAKE CONTROLS	296
TURNING BRAKES - TURNING	303
FINAL DRIVES	304
SHAKER SHOE	308
TRIPLE SHAKER SHOE - TRIPLE SHOE	312
GRAIN PAN ARRANGEMENT	315
GRAIN PAN ARRANGEMENT HEAVY DUTY	319
STRAW WALKER	320
STRAW WALKER MECHANISM AND GRAIN PAN	324
STRAW WALKER BODY AND HOOD - HOOD	328
FANNING MILL	335
DRIVES ARRANGEMENT RH AND SECONDARY COUNTERSHAFT	339
GRAIN ELEVATOR	343
GRAIN TANK UNLOADER PIPE	347
GRAIN TANK UNLOADER PIPE EXTENSION KIT	351
GRAIN TANK UNLOADER PIPE EXTENSION KIT	352
GRAIN TANK	355
UNLOADER DRIVE AND CONTROLS	360
UNLOADER DRIVE AND CONTROLS	364
TANK FILLING CONTROL	368
RETURNS ELEVATOR AND SLIP CLUTCH	371
DRIVES AND GUARDS LH	375
SLINGER HOUSING	379
AUGER AND PITMAN CRANK	380
POWER STEERING LINKAGE	383
A FRAME AND REAR AXLE	387
REAR WHEELS & WEIGHTS	391
WHEEL WEIGHT CONVERSION KITS - WHEEL	392
OPERATORS PLATFORM	395
OPERATORS SEAT	399
TOOLS	400
AUTOMATIC TABLE HEIGHT CONTROL	403
TABLE WITH AUTOMATIC HEIGHT CONTROL - QUICK ATTACH	407
CONTROL BOX DETAILS	411
CONTROL BOX DETAILS - QUICK ATTACH	415
ENGINE COVER AND CONTROL PANEL	419
CONTROL BOX PANELS - QUICK ATTACH	423
ELECTRICAL EQUIPMENT	424
INSTRUMENT PANEL	428
INSTRUMENTS - QUICK ATTACH	431
AXLE FRAME AND FRONT WHEELS	432
HYDRAULIC PUMP - FAN DRIVE HOUSING KIT	435

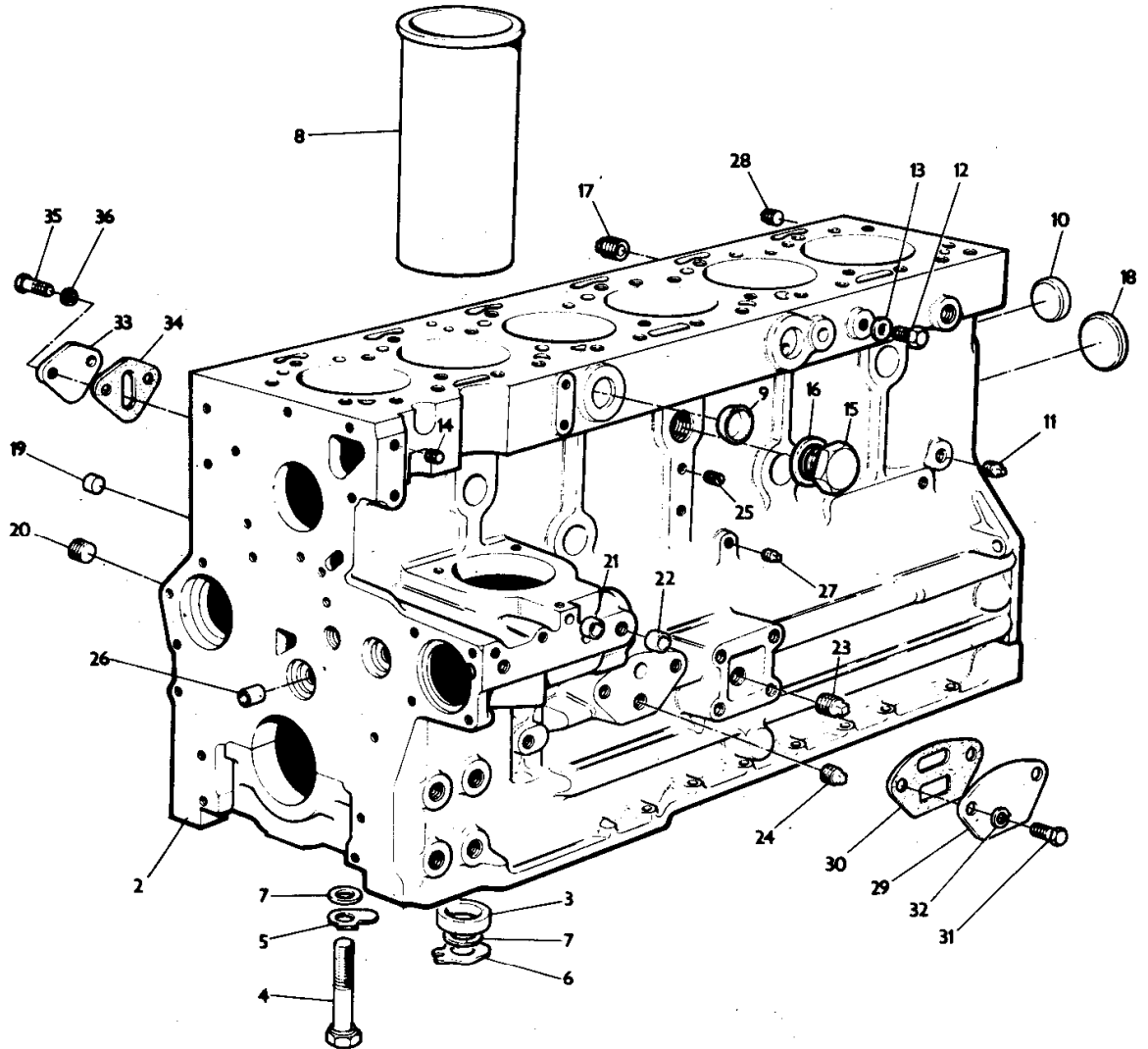
TABLE OF CONTENT

00

HYDRAULIC TANK	436
PUMP ARRANGEMENT	439
CONTROL VALVE	444
CONTROL VALVE	448
CONTROL VALVE - QUICK ATTACH	452
TABLE LIFT	459
TABLE LIFT	460
TABLE LIFT - QUICK ATTACH	464
TABLE LIFT RAMS - QUICK ATTACH	468
TABLE HYDRAULICS - QUICK ATTACH	471
TABLE LIFT - HYDRAULIC FLOTATION KIT	475
REEL LIFT ARRANGEMENT	476
REEL SPEED ARRANGEMENT	483
REEL LIFT AND REEL SPEED ARRANGEMENT	484
REEL LIFT RAMS - QUICK ATTACH	488
REEL FORE AND AFT ARRANGEMENT - QUICK ATTACH	491
REEL FORE AND AFT RAMS - QUICK ATTACH	492
TRACTION RAM ARRANGEMENT	495
TRACTION RAM ARRANGEMENT - QUICK ATTACH	499
TRACTION DRIVE - CYLINDER	500
POWER STEERING ARRANGEMENT	503
POWER STEERING VALVE AND CYLINDER	507
HYDRAULIC UNLOADER ARRANGEMENT	508
KIT - UNLOADER CYLINDER REPAIR - UNLOADER	515
CYLINDER AND DRIVES - CASCADE SEPARATOR	516
AUGER AND SLIP CLUTCH - CASCADE SEPARATOR	523
GRAIN ELEVATOR - CASCADE SEPARATOR	527
TRANSFERS-FRENCH - ENGLISH	531
TRANSFERS-FRENCH - ENGLISH	532
DECALS-FRENCH	535
DECALS-FRENCH	536
DECALS - GERMANY	539
DECALS - GERMANY	540
DECALS-SPANISH	543
DECALS-SPANISH	544
CHAINS	547
BELTS - ENGLISH	550
.	551
CHAIN	553
SMALL SEED KIT	554
KIT, FIELD LIGHTS	557
CONVERSION KIT, FIELD TO FIELD AND ROAD LIGHTS	558
CONVERSION KIT, FIELD TO FIELD AND ROAD LIGHTS	561
KIT - UPGRADE - RICE MACHINES - KIT	562

CYLINDER BLOCK A6.354
BLOC CYLINDRE A6.354
KURBELGEHÄUSE A6.354
BLOQUE DE CYLINDROS A6.354

CPO.1682/1



Item	Part Number	Qty	Description	Comments
				A6.354
				Up to Serial or Engine Number 354UA8321
1	84602	1	Block	(A)
	84365	1	Block	(E)
2		1		Not serviced, order 84365
3	33142111	14	Thimble	
4	32166314	14	Setscrew	
5		2	Tab	(C)
			Washer	
6		12	Tab	(C)
			Washer	
7	0760001	14	Shim	
8	31358324	6	Liner	(B)
	31358328	6	Liner	
9	0650563	6	Plug	
10	0650577	1	Plug	
11	0650593	1	Plug	
12	0746252	2	Screw	
13	2411152	2	Washer	
14	32114461	1	Plug	
15	32161323	1	Plug	
16	2411170	1	Washer	
17	0650588	3	Plug	
18	32416105	1	Plug	
19	32417132	1	Plug	
20	32114461	4	Plug	
21	32417134	2	Plug	
22	32417115	3	Plug	
23	0650586	1	Plug	
24	0650586	1	Plug	(D)
25	32114116	2	Plug	
26	0650566	2	Plug	
27	0650594	2	Plug	
28	0650593	1	Plug	
29	36232108	1	Plug	
30	36862525	1	Joint	
31	0746651	2	Screw	
32	0920055	2	Washer	
33	0941020	1	Plate	
34	36862152	1	Joint	
35	0746254	2	Setscrew	
36	0920053	2	Washer	
				(A)
				FITTED ON PRODUCTION ONLY - USE SERVICE BLOCK 8436 5/86368
				(B)
				USED ONLY WITH PRODUCTION BLOCK 84602
				(C)
				NOT REQUIRED FOR THIS APPLICATION
				(D)
				FROM ENGINE NO. 8840032
				(E)
				UP TO ENGINE NO. 354UA8321 USE 86368/33246423/3252
				6314/33153149/2211325/33435133

MASSEY FERGUSON

MF 510/515 COMBINES (GB) - 819544

819544

CYLINDER BLOCK - A6.354

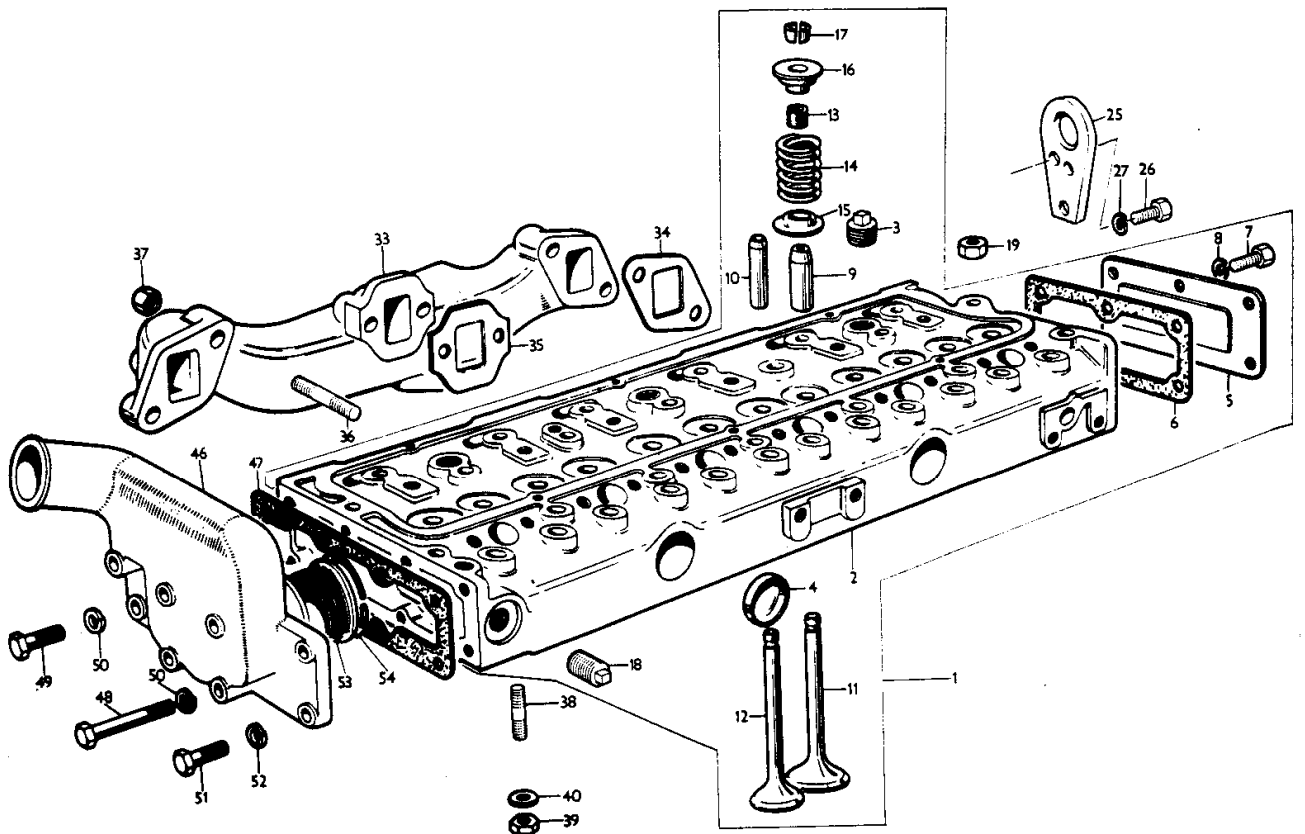
4

Item	Part Number	Qty	Description	Comments
				A6.354
1	86368	1	Block	(A)
2	31358324	6	Liner	
3	0650563	6	Plug	
4	0650593	1	Plug	
5	0650588	5	Plug	
6	0650577	1	Plug	
7	33142111	14	Thimble	
8	32166314	14	Setscrew	
9	076001	14	Shim	
15	32417115	1	Plug	(B)
16	32417127	3	Plug	(B)
17	32417134	2	Plug	(B)
18	32114116	2	Plug	(B)
19	2431131	2	Plug	(B)
20	0650566	2	Plug	(B)
21	0650586	1	Plug	(B)
22	0650593	1	Plug	(B)
23	32417133	1	Plug	(B)
24	32416105	1	Plug	(B)
25	32417117	1	Plug	(B)
26	0650586	1	Plug	(B)
27	32114116	2	Plug	
28	33534117	1	Adaptor	
29	2411170	1	Washer	
30	0650588	1	Plug	
31	31419	1	Cock	
37	32526311	20	Stud	
38	32526312	12	Stud	
39	36812522	1	Gasket	
40	37554114	1	Inspection Cover	
41	37554118	1	Inspection Cover	
42	36846408	2	Joint	
43	0826241	1	Stud	
44	0826220	19	Stud	
45	0826227	2	Stud	
46	0826242	2	Stud	
47	0920003	2	Washer	
48	0576002	24	Nut	
49	0920053	24	Washer	
50	36151505	24	Washer	
56	59537	1	Kit, Housing	
57		1		Not serviced, order 59537
58		1		Not serviced, order 59537
59	0096238	2	Bolt	
60	0920053	2	Washer	
61	36883108	2	Seal	
62	36817136	1	Joint	
63	0746211	11	Bolt	
64	0920053	11	Washer	
70	36277831	2	Bridge Piece	
71	32811408	4	Joint	
72	2176369	4	Screw	
73	092052	4	Washer	
79	37147642	1	Plate	
80	37813113	1	Plug	
81	32455119	2	Dowel	
82	0746424	6	Bolt	
83	0920054	6	Washer	
89	36125305	1	Cover	
90	0746253	3	Screw	
91	0920003	3	Washer	
92	0920053	3	Washer	

(A)
From Serial or Engine Number 354UA8322
(B)
USED ONLY WITH 86368

8

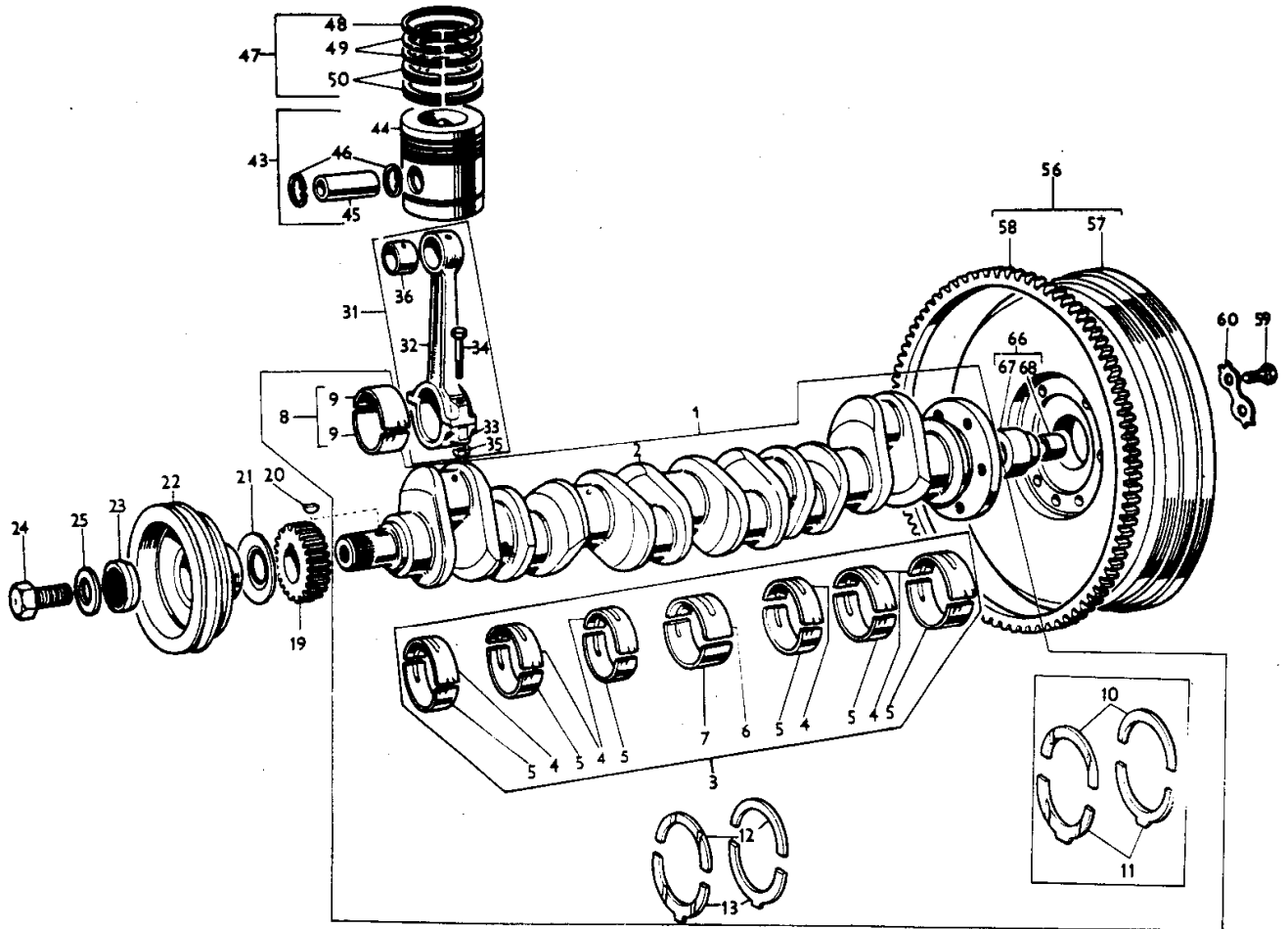
CYLINDER HEAD A6.354
 CULASSE A6.354
 ZYLINDERKOPF A6.354
 CULATA A6.354



CYLINDER HEAD - A6.354

Item	Part Number	Qty	Description	Comments
				A6.354
1	86551	1	Head	(E)
	86579	1	Head	(F)
2		1		Not serviced, order 86551
3	2431154	3	Plug	
4	0650563	2	Plug	
5	0940737	1	Plate	
6	0490485	1	Joint	
7	0746254	6	Setscrew	
8	0920053	6	Washer	
9	33261732	6	Guide	
10	33261752	6	Guide	
11	31431641	6	Valve Inlet	
12	31431104	6	Valve Exhaust Deflector	
13	33817402	6	Deflector	
14	0780272	12	Spring	
15	33123117	12	Washer	
16	33423122	12	Cap	
17	33173108	12	Cotter	(A)
18	2431127	1	Plug	(B)
	2431154	1	Plug	(C)
19	33221316	32	Nut	
25	36177106	1	Plate	
26	0746453	2	Setscrew	
27	0920054	2	Washer	
33	37782262	1	Manifold	
34	36862124	2	Joint	
35	36862129	1	Joint	
36	0826450	6	Stud	
37	2211224	6	Nut	
38	0826403	3	Stud	
39	0576030	3	Nut	
40	0920004	3	Washer	
46	37765611	1	Body	
47	36846113	1	Joint	
48	0096239	5	Bolt	
49	0746211	1	Bolt	
50	0920053	6	Washer	
51	0096433	2	Bolt	
52	0920054	2	Washer	
53	2485662	1	Thermostat	
54	31736112	1	Circlip	
				(A) SERVICED IN MATCHED PAIRS
				(B) INCLUDED IN 83294 BUT NOT REQUIRED ON THIS APPLICATION. REMOVE AND FIT 2431154
				(C) NOT INCLUDED IN ASSEMBLY
				(D) LOWER L.H. SETSCREW ALSO SECURES LIFT PUMP TO PRIMARY FILTER PIPE
				(E) UP TO ENGINE NO. 354UA9210 USE 86579/35511111/3381 1113
				(F) From Serial or Engine Number 354UA9211

CRANKSHAFT A6.35¹
 VILEBREQUIN A6.35⁴
 KURBELWELLE A6.35⁴
 GIGUENAL A6.35⁴

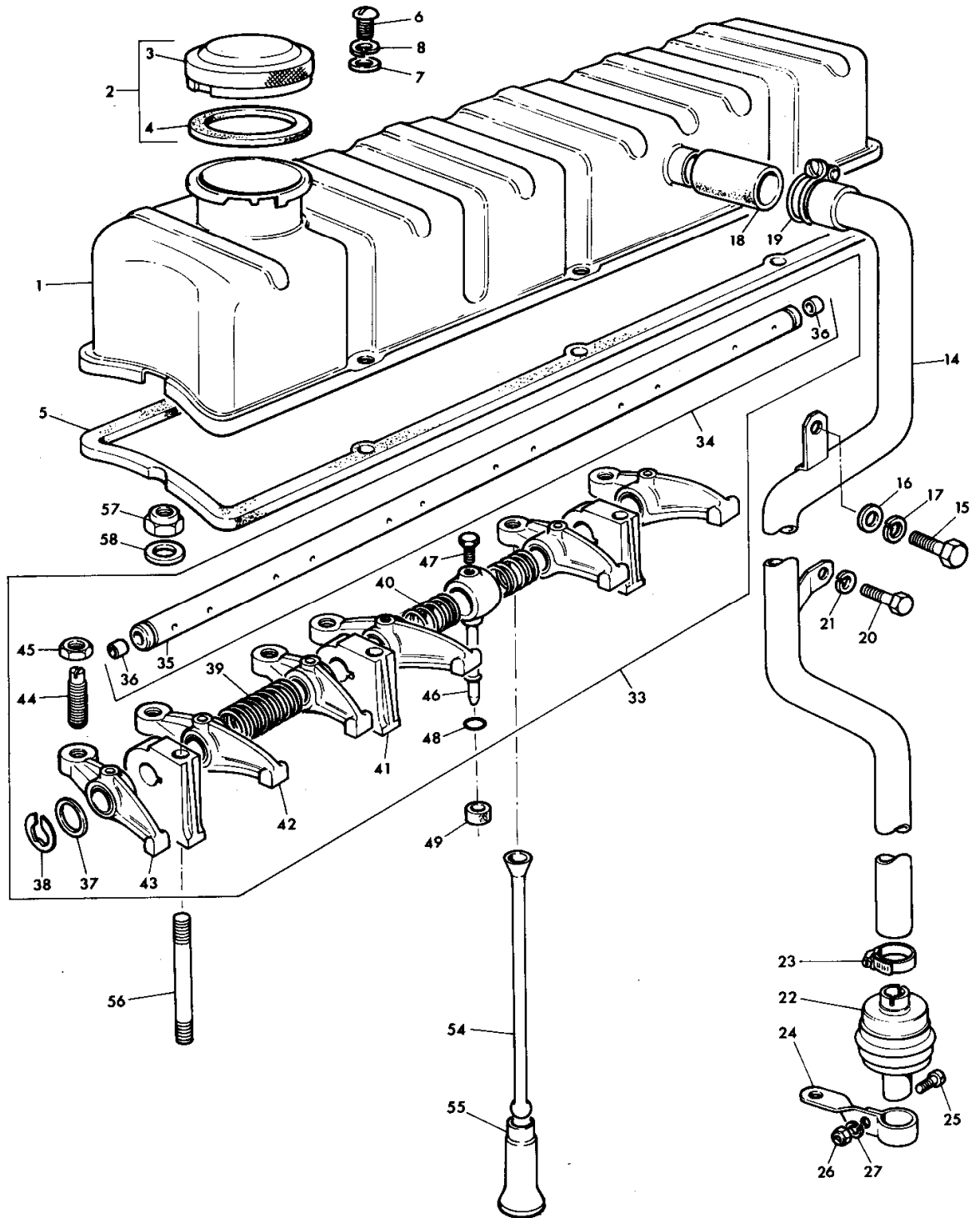


CRANKSHAFT - A6.354

Item	Part Number	Qty	Description	Comments
				A6.354
1	84425	1	Kit	
2		1		Not serviced, order 84425
3	85010	1	Kit, Bearing	(A)
	85010A	X	Kit, Bearing	(A, B) - 0.010"
	85010B	X	Kit, Bearing	(A, B) - 0.020"
	85010C	X	Kit, Bearing	(A, B) - 0.030"
4		6		ORDER ASSEMBLY
5		6		ORDER ASSEMBLY
6		1		ORDER ASSEMBLY
7		1		ORDER ASSEMBLY
8	85043	1	Kit, Bearing	(A)
	85043A	X	Kit, Bearing	(A, B) - 0.010"
	85043B	X	Kit, Bearing	(A, B) - 0.020"
	85043C	X	Kit, Bearing	(A, B) - 0.030"
9		X		ORDER ASSEMBLY
10	31137175	2	Washer	(C)
11	31137181	2	Washer	(C)
12	31137311	2	Washer	
	31137312	X	Thrust Washer	(B) + 0.007"
13	31137321	2	Washer	
	31137322	X	Thrust Washer	(B) + 0.007"
19	31171211	1	Gear	
20	0500012	1	Woodruff Key	
21	33415311	1	Flange	
22	31155272	1	Pulley	
23	33177561	1	Ring	
24	32162319	1	Screw	
25	33125124	1	Washer	
31	84920	6	Conrod	
32		1		ORDER ASSEMBLY
33		1		ORDER ASSEMBLY
34	32762116	2	Bolt	
35	33221321	2	Nut	
36	31134123	1	Bush	
43	86740	6	Kit, Piston	
44		1		Not serviced, order 86740
45		1		Not serviced, order 86740
46	0170002	2	Circlip	
47	86776	X	Kit, Ring	
48		1		ORDER ASSEMBLY
49		2		ORDER ASSEMBLY
50		2		ORDER ASSEMBLY
43	86740C	X	Kit, Piston	+ 0.030"
44		1		Not serviced, order 86740C
45		1		Not serviced, order 86740C
46	0170002	2	Circlip	
47	86776C	X	Kit, Ring	
48		1		ORDER ASSEMBLY
49		2		ORDER ASSEMBLY
50		2		ORDER ASSEMBLY
56	0999854	1	Flywheel	
57		1		Not serviced, order 0999854
58	0410264	1	Gear, Starterring	
59	32162203	6	Screw	
60	0921062	3	Tab Washer	
66	41425708	1	Adaptor	
67		1		Not serviced, order 41425708
68	2513246	1	Bush	
				(A)
				BEARINGS ARE PRE-FINISHED
				(B)
				NOT INCLUDED IN 84425
				(C)
				NOT REQUIRED FOR THIS APPLICATION

CYLINDER HEAD COVER A6.354
 CACHE - CULBUTEURS A6.354
 ZYLINDERKOPFDECKEL A6.354
 TAPA DE CULATA A6.354

CPO.1686/1



Printed in U.K.

510/515 Combine

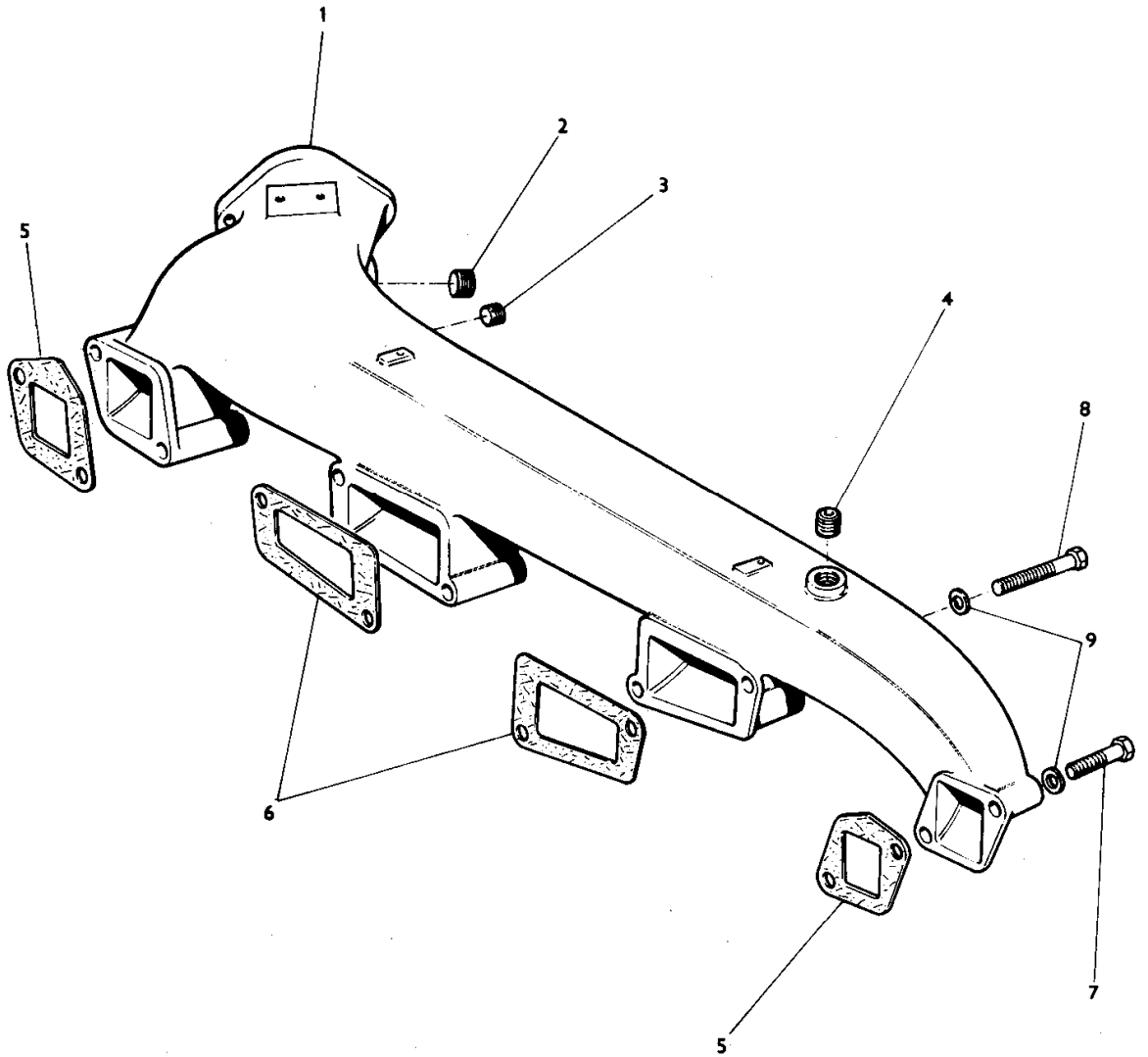
819 544 M3 (Issue 1) 7/73

Item	Part Number	Qty	Description	Comments
				A6.354
1	37188127	1	Cyl.Head Cover	
2	2487845	1	Cap	
3		1		Not serviced, order 2487845
4	24870002	1	Joint	
5	36811412	1	Joint	
6	2174018	6	Screw	
7	0920002	6	Washer	
8	0920052	6	Washer	
14	35736134	1	Pipe	
15	0746453	1	Setscrew	(A, J)
	0746452	1	Setscrew	(B, J)
16	0920004	1	Washer	(A, J)
17	0920054	1	Washer	(J)
18	0202076	1	Hose	
19	0180106	2	Clip	
20	0746253	1	Screw	
21	0920053	1	Washer	
22	32579	1	Body	
23	0180063	1	Clip	
24	37335125	1	Clip	
25	2174565	1	Screw	
26	0576053	1	Nut	
27	0920051	1	Washer	
33	83308	1	Shaft	(C)
	87255	1	Rocker Shaft Ass	(D, F)
34	58768	1	Rocker Shaft	
35		1		Not serviced, order 58768
36	0650507	2	Plug	
37	33117415	2	Washer	
38	0170151	2	Circlip	
39	31744123	4	Spring	
40	31743108	2	Spring	
41	37521321	6	Bracket	
42	37371271	6	Lever	Left Hand
43	37371281	6	Lever	Right Hand
44	0720579	12	Screw	
45	0576052	12	Nut	
46	35511111	1	Pipe	(D)
	35511109	1	Pipe,Oil	(E)
47	0726504	1	Setscrew	
48	2415801	1	O Ring	(G)
49	33811113	1	Olive	
54	31434307	12	Pushrod	
55	31434161	12	Tappet	
56	0826621	6	Stud	
57	2211284	6	Nut	
58	0920006	6	Washer	

(A)
Up to Serial or Engine Number 354UA2356
(B)
From Serial or Engine Number 354UA2357
(C)
UP TO ENGINE NO. 354UA9210 USE 87255/33811113
(D)
From Serial or Engine Number 354UA9211
(E)
UP TO ENGINE NO. 354UA9210 USE 35511111/33811113
(F)
USED ONLY WITH 86579
(G)
USED ONLY WITH 35511109
(H)
USED ONLY WITH 35511111
(J)
USED ONLY WITH BREATHER PIPES 35736134/35736158

AIR INDUCTION SYSTEM A.6354
SYSTEME D'ADMISSION D'AIR A6.354
LUFTANSAUGGEHÄUSE A6.354
SISTEMA DE INDUCCION DE AIRE A6.354

CPO.3961



Printed in U.K.

510/515 Combine

819 544 M3 (Issue 1) 7/73

Buy Now



Our support email:

ebooklibonline@outlook.com