

| Page Title | Page Number |
|---------------------------------------------------------------|-------------|
| CYLINDER BLOCK - A4.300 | 3 |
| CYLINDER HEAD - A4.300 | 4 |
| CRANKSHAFT - A4.300 | 7 |
| CYLINDER HEAD COVER - A4.300 | 8 |
| AIR INDUCTION SYSTEM - A4.300 | 11 |
| TIMING GEAR - A4.300 | 12 |
| LUBRICATING OIL SUMP - A4.300 | 15 |
| LUBRICATING OIL FILTER - A4.300 | 19 |
| WATER PUMP - A4.300 | 20 |
| FUEL LIFT PUMP - A4.300 | 23 |
| FUEL LIFT PUMP REPAIR KITS A4.300 | 24 |
| FUEL FILTER - A4.300 | 27 |
| FUEL INJECTION PUMP - A4.300 | 28 |
| ELECTRICAL EQUIPMENT - A4.300 | 31 |
| JOINTS AND GASKETS - A4.300 | 32 |
| ENGINE INSTALLATION | 35 |
| REAR MOTOR HOUSING | 36 |
| COOLING ARRANGEMENT | 40 |
| AIR CLEANER | 43 |
| FUEL TANK AND ATTACHMENTS | 44 |
| FUEL FILTER | 48 |
| RADIATOR AIR INTAKE | 51 |
| GRAIN DIVIDER L.H. - UP TO SERIAL NO. 1155. | 56 |
| GRAIN DIVIDER L.H. - FROM SERIAL NO. 1155. | 60 |
| DIVIDER EXTENSION LEFT - FROM SERIAL NO. 1155. | 64 |
| RIGID DIVIDER | 68 |
| GRAIN DIVIDER R.H. | 71 |
| GRAIN DIVIDER R.H. | 75 |
| DIVIDER EXTENSION RIGHT | 79 |
| RIGID DIVIDER | 83 |
| FENDER ASSEMBLY | 84 |
| TABLE | 87 |
| TABLE | 91 |
| TABLE TRAILER | 95 |
| SENSING FINGERS | 99 |
| TABLE SKIDPLATES | 103 |
| SENSING FINGERS | 104 |
| KNIFE AND KNIFE DRIVE ARRANGEMENT | 108 |
| KNIFE & KNIFE DRIVE PULLEYS | 112 |
| WOBBLE KNIFE DRIVE | 115 |
| PICK-UP REEL 8.1/2' | 116 |
| PICK-UP REEL A : 12' - B : 14' - C: - 10' | 119 |
| PICK UP REEL | 120 |
| BATT REEL | 124 |
| BATT REEL | 127 |
| REEL LIFE FRAME AND PULLEY | 128 |
| REEL LIFT ARMS AND PULLEY | 132 |
| REEL DRIVE VARIABLE SPEED PULLEYS AND TABLE AUGER SLIP CLUTCH | 136 |
| AUGER AND REEL DRIVE | 139 |
| TABLE GUARDS | 144 |
| TABLE GUARDS | 147 |
| TABLE AUGER | 148 |
| TABLE AUGER | 152 |
| DRIVE SHAFT & AUGER DRIVE | 156 |
| TABLE ELEVATOR HOUSING | 160 |
| TABLE ELEVATOR HOUSING | 163 |
| ANTIWIND KIT | 167 |
| ELEVATOR TO CYLINDER | 168 |
| ELEVATOR TO CYLINDER | 171 |
| CONCAVE CONTROL LINKAGE | 172 |
| CONCAVE ARRANGEMENT | 175 |
| CYLINDER | 179 |
| CYLINDER HOUSING | 180 |
| CYLINDER DRIVE | 187 |
| TOP SHAFT AND CLUTCH CONTROLS | 192 |
| REAR BEATER ARRANGEMENT | 196 |

TABLE OF CONTENT

| | |
|--------------------------------------------------|-----|
| MAIN COUNTERSHAFT | 199 |
| MAIN COUNTERSHAFT LUBRICATION SYSTEM | 203 |
| SEPARATOR CLUTCH LINKAGE | 207 |
| SEPARATOR CLUTCH | 208 |
| TRACTION DRIVE ARRANGEMENT | 211 |
| TRACTION CLUTCH | 212 |
| TRACTION CLUTCH CONTROLS | 215 |
| CLUTCH STOP | 216 |
| TRACTION GEAR BOX | 219 |
| TRACTION GEARCHANGE CONTROLS | 223 |
| PARKING BRAKE | 227 |
| PARKING BRAKE CONTROL | 228 |
| PARKING BRAKE CONTROL | 231 |
| TURNING BRAKE CONTROLS | 232 |
| TURNING BRAKE CONTROLS | 236 |
| TURNING BRAKES | 240 |
| FINAL DRIVE | 243 |
| SHAKER SHOE | 244 |
| GRAIN PAN ARRANGEMENT | 248 |
| STRAW WALKER | 251 |
| STRAW WALKER MECHANISM AND GRAIN PAN | 252 |
| STRAW WALKER BODY AND HOOD | 255 |
| FANNING MILL | 260 |
| DRIVES ARRANGEMENT RH AND SECONDARY COUNTERSHAFT | 264 |
| GRAIN ELEVATOR | 268 |
| GRAIN TANK UNLOADER PIPE | 272 |
| GRAIN TANK UNLOADER PIPE EXTENSION KIT | 279 |
| GRAIN TANK | 280 |
| UNLOADER DRIVE AND CONTROLS | 287 |
| UNLOADER DRIVE AND CONTROL ARRANGEMENT | 291 |
| TANK FILLING CONTROL | 295 |
| RETURNS ELEVATOR AND SLIP CLUTCH | 296 |
| DRIVES AND GUARDS LH | 300 |
| SLINGER HOUSING | 304 |
| AUGER AND PITMAN CRANK | 307 |
| POWER STEERING LINKAGE | 308 |
| A FRAME AND REAR AXLE | 312 |
| REAR WHEELS & WEIGHTS | 316 |
| WHEEL WEIGHT CONVERSION KITS | 319 |
| OPERATORS PLATFORM | 320 |
| OPERATORS SEAT | 327 |
| TOOLS | 328 |
| AUTOMATIC TABLE HEIGHT CONTROL | 331 |
| AUTOMATIC TABLE HEIGHT CONTROL | 335 |
| CONTROL BOX DETAILS | 339 |
| CONTROL BOX DETAILS | 343 |
| ENGINE COVER AND CONTROL PANEL | 344 |
| ELECTRICAL EQUIPMENT | 348 |
| INSTRUMENT PANEL | 352 |
| INSTRUMENTS | 355 |
| AXLE FRAME AND FRONT WHEELS | 356 |
| HYDRAULIC PUMP - FAN DRIVE | 359 |
| HYDRAULIC TANK | 360 |
| PUMP ARRANGEMENT | 363 |
| CONTROL VALVE | 368 |
| CONTROL VALVE | 372 |
| CONTROL VALVE | 376 |
| VALVE SEAL KITS | 383 |
| TABLE LIFT | 384 |
| TABLE LIFT | 388 |
| TABLE LIFT | 392 |
| TABLE LIFE RAMS | 396 |
| TABLE HYDRAULICS | 399 |
| REEL LIFT ARRANGEMENT | 407 |
| REEL SPEED ARRANGEMENT | 408 |
| REEL LIFT AND REEL SPEED ARRANGEMENT | 411 |
| REEL LIFT RAMS | 415 |
| REEL FORE AND AFT ARRANGEMENT | 416 |

TABLE OF CONTENT

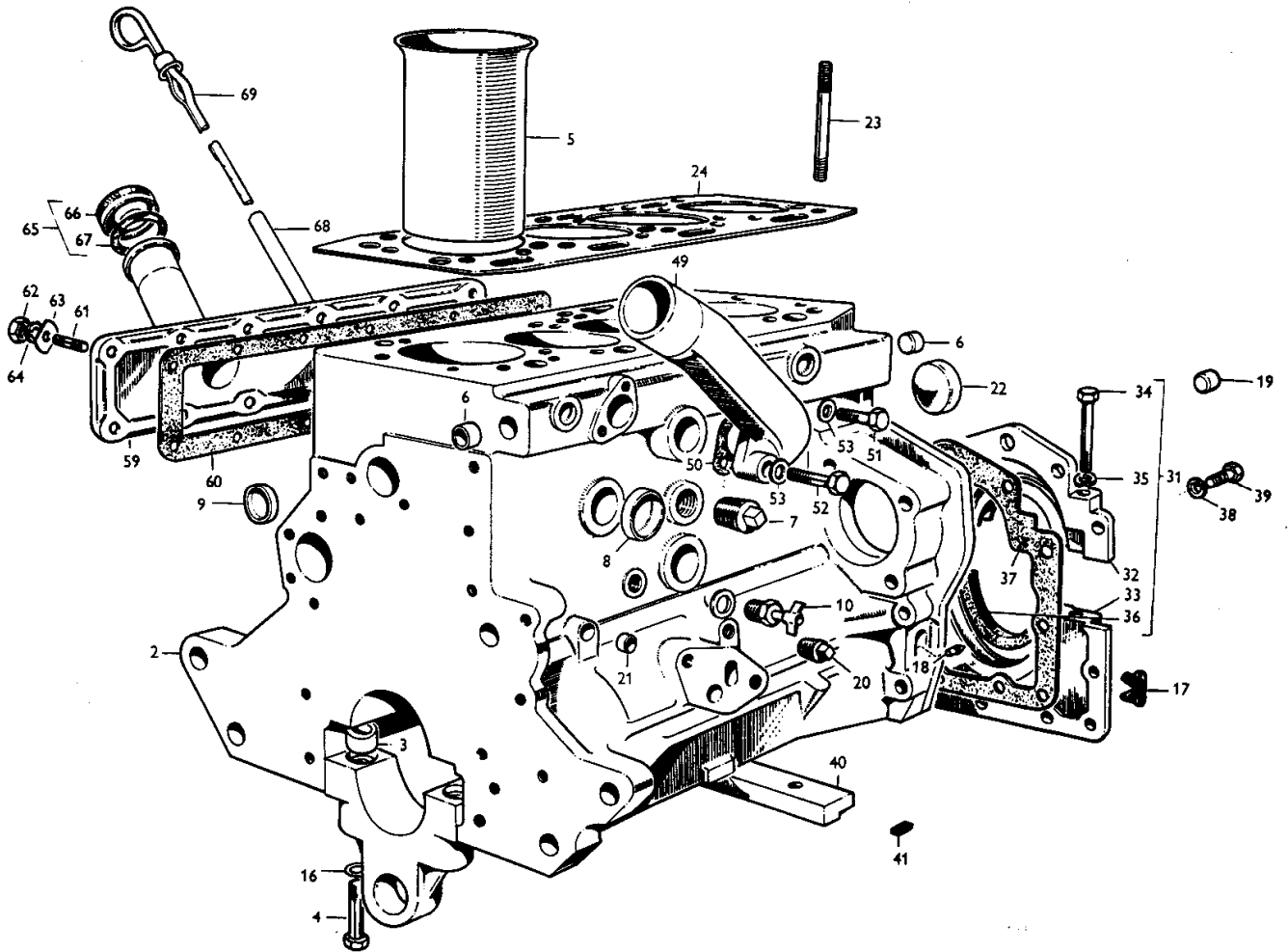
| | |
|------------------------------------------------|------|
| REEL FORE AND AFT RAMS | 419 |
| TRACTION RAM ARRANGEMENT | 420 |
| TRACTION RAM ARRANGEMENT | 425 |
| POWER STEERING ARRANGEMENT | 427 |
| POWER STEERING VALVE AND CYLINDER | 431 |
| HYDRAULIC UNLOADER ARRANGEMENT | 432 |
| CYLINDER AND DRIVES - CASCADE SEPARATOR | 439 |
| AUGER AND SLIP CLUTCH - CASCADE SEPARATOR | 444 |
| CASCADE SEPARATOR GRAIN ELEVATOR | 448 |
| TRANSFERS-FRENCH - ENGLISH | 452 |
| TRANSFERS-FRENCH - ENGLISH | 455 |
| DECALS-FRENCH | 456 |
| TRANSFERS-FRENCH | 459 |
| DECALS - GERMANY | 460 |
| TRANSFERS-FRENCH - GERMANY | 463 |
| TRANSFERS SPANISH | 464 |
| TRANSFERS SPANISH | 467 |
| CHAINS | 469 |
| BELTS - ENGLISH | 472 |
| BELTS - FRANCE | 472A |
| BELTS - GERMANY | 473 |
| BELTS | 473A |
| CHAINS | 474 |
| FIELD LIGHTS | 476 |
| CONVERSION KIT, FIELD TO FIELD AND ROAD LIGHTS | 479 |
| CONVERSION KIT, FIELD TO FIELD AND ROAD LIGHTS | 480 |

MF 410/415 COMBINES - 819548

CYLINDER BLOCK A4.300
BLOC CYLINDRE A4.300
KURBELGEHÄUSE A4.300
BLOQUE DE CYLINDROS A4.300

3

CPO.2031



Printed in U.K.

410/415 Combine

619 548 M2 (Issue 1) 5/70

CYLINDER BLOCK - A4.300

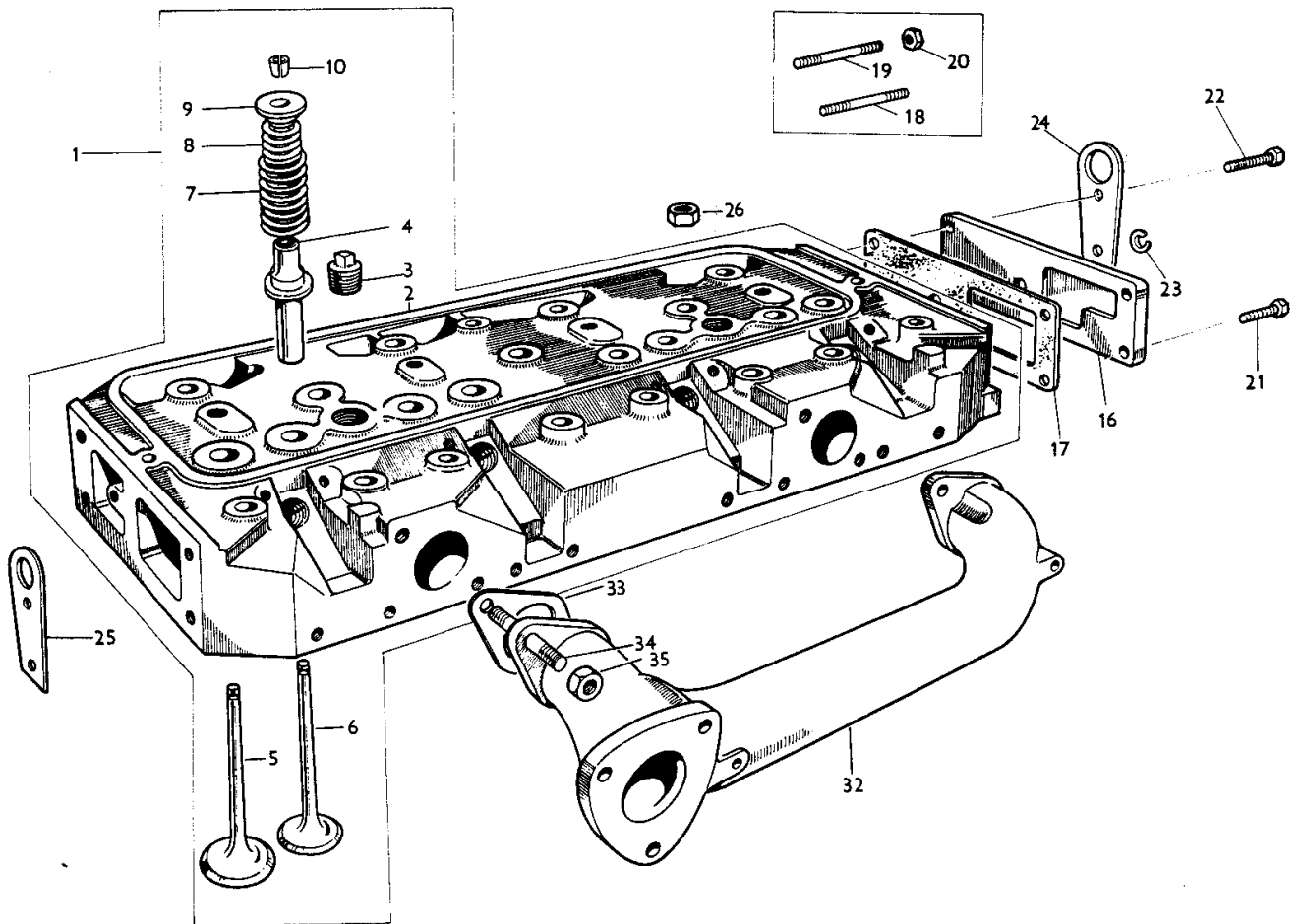
| Item | Part Number | Qty | Description | Comments |
|------|-------------|-----|---------------|-----------------------------|
| | | | | A4.300 |
| 1 | 87972 | 1 | Kit,Cyl.Block | |
| 2 | | 1 | | Not serviced, order 87972 |
| 3 | 33142111 | 10 | Thimble | |
| 4 | 32166314 | 10 | Setscrew | |
| 5 | 31358507 | 4 | Liner | |
| 6 | 32417122 | 2 | Plug | |
| 7 | 0650588 | 1 | Plug | |
| 8 | 0650563 | 5 | Plug | |
| 9 | 0650577 | 4 | Plug | |
| 10 | 31419 | 1 | Cock | |
| 16 | 0760001 | 10 | Shim | |
| 17 | 0650545 | 1 | Plug | |
| 18 | 32715119 | 1 | Pin | |
| 19 | 0650566 | 1 | Plug | |
| 20 | 0650594 | 1 | Plug | |
| 21 | 0650507 | 1 | Plug | |
| 22 | 32416106 | 1 | Plug | |
| 23 | 32526307 | 17 | Stud | |
| 24 | 36812325 | 1 | Gasket | |
| 31 | 80311 | 1 | Kit, Housing | |
| 32 | | 1 | | Not serviced, order 80311 |
| 33 | | 1 | | Not serviced, order 80311 |
| 34 | 0096238 | 2 | Bolt | |
| 35 | 0920053 | 2 | Washer | |
| 36 | 36883108 | 2 | Seal | |
| 37 | 36817137 | 1 | Joint | |
| 38 | 0746244 | 12 | Screw | |
| 39 | 0920053 | 12 | Washer | |
| 40 | 38124771 | 1 | Bridge Piece | |
| 41 | 36843144 | 2 | Seal | |
| 49 | 37736361 | 1 | Connector | |
| 50 | 36861419 | 1 | Gasket | |
| 51 | 0096232 | 1 | Bolt | |
| 52 | 0096234 | 1 | Bolt | |
| 53 | 2411152 | 2 | Washer | |
| 59 | 37554536 | 1 | Cover | |
| 60 | 36846411 | 4 | Gasket | |
| 61 | 0826203 | 10 | Stud | |
| 62 | 2576002 | 10 | Nut | |
| 63 | 36151505 | 10 | Washer | |
| 64 | 0920053 | 10 | Washer | |
| 65 | 2487841 | 1 | Cap | |
| 66 | | 1 | | Not serviced, order 2487841 |
| 67 | 24870001 | 1 | Joint | |
| 68 | 33243405 | 1 | Tube | |
| 69 | 31787423 | 1 | Dipstick | |

MF 410/415 COMBINES - 819548

4

CYLINDER HEAD A4.300
CULASSE A4.300
ZYLINDERKOPF A4.300
CULATA A4.300

CPO-0928/1



Printed in U.K.

410/415 Combine

819 548 M2 (Issue 1) 5/70

CYLINDER HEAD - A4.300

| Item | Part Number | Qty | Description | Comments |
|------|-------------|-----|------------------|------------------------------------|
| | | | | A4.300 |
| 1 | 86526 | 1 | Head | (A) |
| | 86919 | 1 | Cylinder Head | (B) |
| 2 | | 1 | | Not serviced, order 86526 OR 86919 |
| 3 | 2431154 | 6 | Plug | |
| 4 | 0420013 | 8 | Guide | (H)(K) |
| | 33432532 | 8 | Guide | (K) |
| 5 | 0910030 | 4 | Valve | (F) |
| | 31431154 | 4 | Valve Inlet | (K) |
| 6 | 0910029 | 4 | Valve | (G) |
| | 31431142 | 4 | Valve Exhaust | (K) |
| 7 | 0780096 | 8 | Spring | (C) |
| | 0780141 | 8 | Spring | (D) |
| 8 | 0780140 | 8 | Spring | (D) |
| 9 | 33423122 | 8 | Cap | |
| 10 | 33173108 | 8 | Cotter | (E) |
| 16 | 0240223 | 1 | Plate | |
| 17 | 0490253 | 1 | Joint | |
| 18 | 0826409 | 3 | Stud | (C) |
| 19 | 0826404 | 2 | Stud | (C) |
| 20 | 0576051 | 5 | Nut | (C) |
| 21 | 0746454 | 3 | Setscrew | (D) |
| 22 | 0096431 | 2 | Bolt | (D) |
| 23 | 0920054 | 5 | Washer | |
| 24 | 0940304 | 1 | Plate | |
| 25 | 0940304 | 1 | Plate | |
| 26 | 33221322 | 17 | Nut | |
| 32 | 37781731 | 1 | Exhaust Manifold | |
| 33 | 36834133 | 2 | Gasket | |
| 34 | 0826487 | 4 | Stud | |
| 35 | 2211224 | 4 | Nut | |

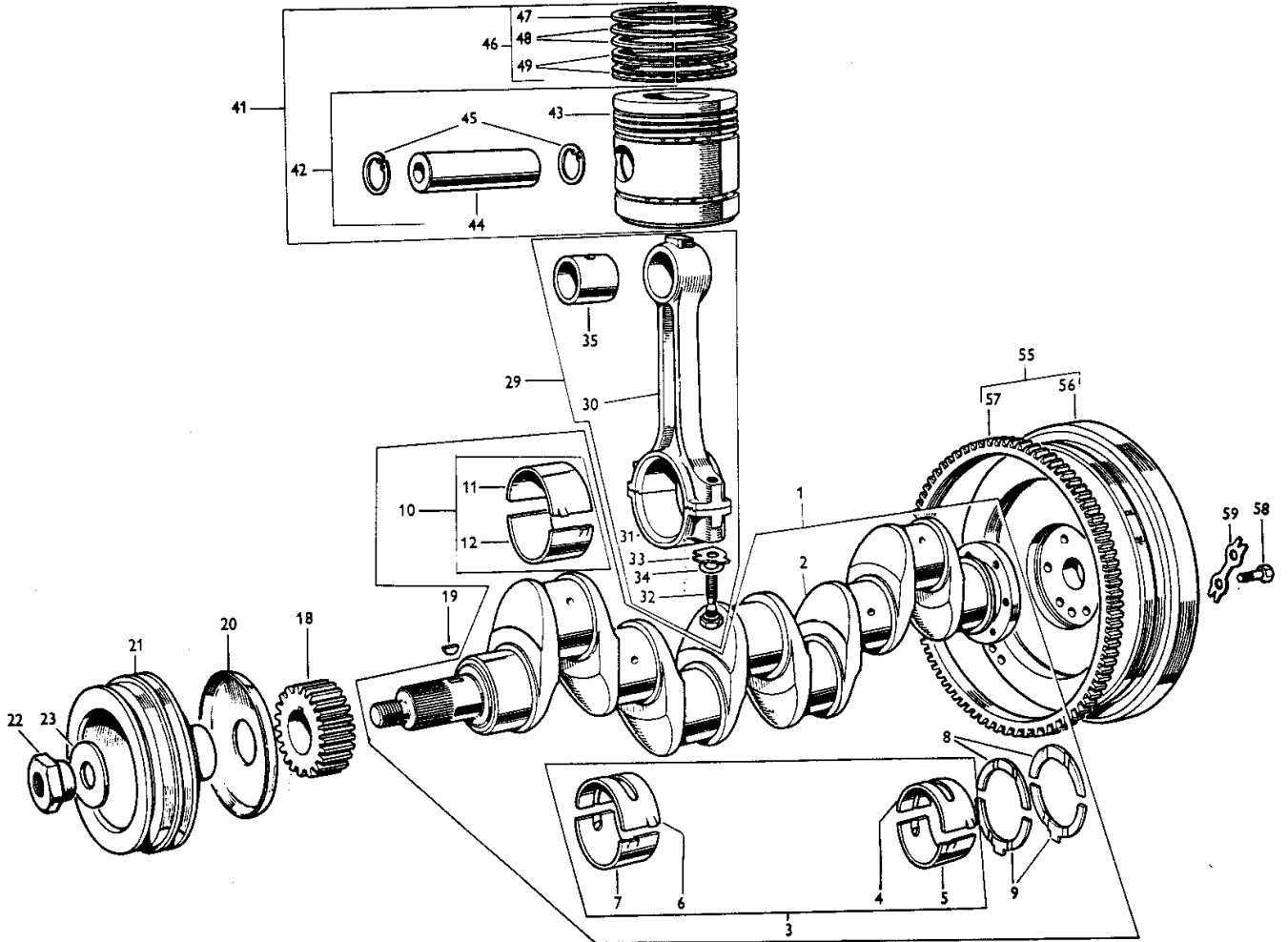
(A)
 UP TO ENGINE # 6922240.
 (B)
 FROM ENGINE # 6922240.
 (C)
 USED ONLY WITH 86526.
 (D)
 USED ONLY WITH 86919.
 (E)
 SERVICED IN MATCHED PAIRS
 (F)
 NO LONGER SERVICED USE 31431154 WITH 35432532.
 (G)
 NO LONGER SERVICED USE 31431142 WITH 35432532.
 (H)
 USED ONLY WITH 0910029 AND 0910030.
 (J)
 Up to Serial or Engine Number 6925157
 (K)
 From Serial or Engine Number 6925158

MF 410/415 COMBINES - 819548

CRANKSHAFT A4.300
 VILEBREQUIN A4.300
 KURBELWELLE A4.300
 CIGUENAL A4.300

7

CPD.0929/2



Printed in U.K.

410/415 Combine

819 548 M2 (Issue 1) 5/70

CRANKSHAFT - A4.300

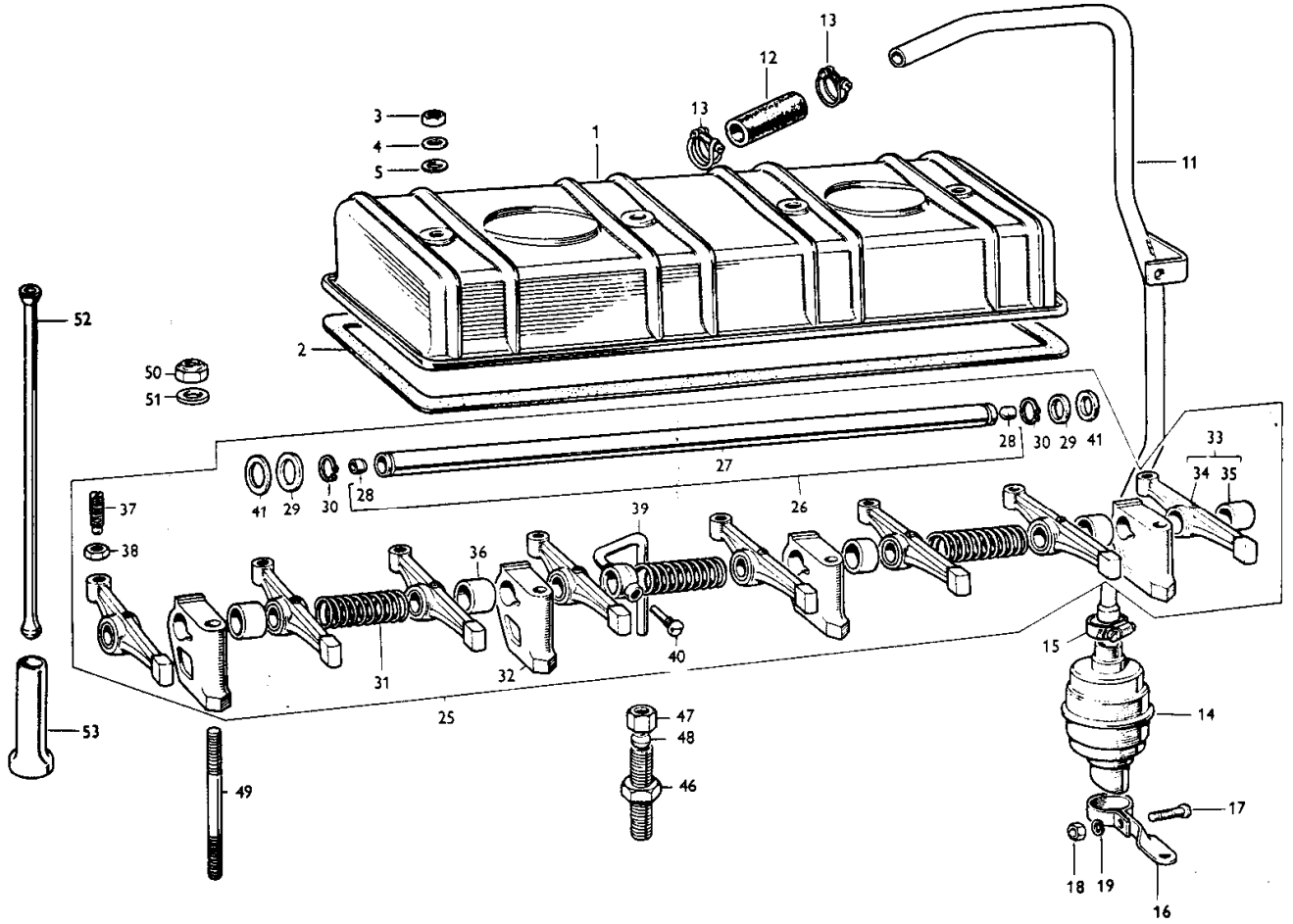
| Item | Part Number | Qty | Description | Comments |
|------|-------------|-----|-------------------|-----------------------------------------------------------------|
| | | | | A4.300 |
| 1 | 84420 | 1 | Kit | |
| 2 | | 1 | | Not serviced, order 84420 |
| 3 | 83392 | 1 | Bearing | (A) |
| | 83392A | X | Bearing | (A)(B) (-) 0.010" |
| 3 | 83392B | X | Bearing | (A)(B) (-) 0.020" |
| 3 | 83392C | X | Bearing | (A)(B) (-) 0.030" |
| 4 | | 3 | | ORDER ASSEMBLY |
| 5 | | 3 | | ORDER ASSEMBLY |
| 6 | | 2 | | ORDER ASSEMBLY |
| 7 | | 2 | | ORDER ASSEMBLY |
| 8 | 31137241 | 2 | Washer | |
| | 31137242 | X | Washer | (B) (+) 0.007" |
| 9 | 31137231 | 2 | Washer | |
| | 31137232 | X | Washer | (B) (+) 0.007" |
| 10 | 85041 | 1 | Kit, Bearing | (A) |
| | 85041A | X | Kit, Bearing | (A)(B) (-) 0.010" |
| 10 | 85041B | X | Kit, Bearing | (A)(B) (-) 0.020" |
| 10 | 85041C | X | Kit, Bearing | (A)(B) (-) 0.030" |
| 11 | | 4 | | ORDER ASSEMBLY |
| 12 | | 4 | | ORDER ASSEMBLY |
| 18 | 31165392 | 1 | Gear | |
| 19 | 0500012 | 1 | Woodruff Key | |
| 20 | 33157516 | 1 | Thrower | |
| 21 | 31155262 | 1 | Pulley | |
| 22 | 0571212 | 1 | Nut | |
| 23 | 35125113 | 1 | Washer | |
| 29 | 59182 | 4 | Rod | |
| 30 | | 1 | | Not serviced, order 59182 |
| 31 | | 1 | | Not serviced, order 59182 |
| 32 | 0745065 | 2 | Screw | |
| 33 | 0920794 | 2 | Washer | |
| 34 | 33115408 | 2 | Washer | |
| 35 | 0050128 | 1 | Bush | |
| 41 | 83439 | 4 | Piston | |
| 42 | 82912 | 4 | Kit, Piston | |
| 43 | | 1 | | Not serviced, order 82912 |
| 44 | | 1 | | Not serviced, order 82912 |
| 45 | 0170037 | 2 | Circlip | |
| 46 | 84988 | X | Kit, Piston Ring | |
| 47 | | 4 | | Not serviced, order 84988 |
| 48 | | 8 | | Not serviced, order 84988 |
| 49 | | 8 | | Not serviced, order 84988 |
| 55 | 0999855 | 1 | Flywheel | |
| 56 | | 1 | | Not serviced, order 0999855 |
| 57 | 0410264 | 1 | Gear, Starterring | |
| 58 | 0746851 | 6 | Screw | |
| 59 | 0921062 | 3 | Tab Washer | |
| | | | | (A) BEARINGS ARE PREFINISHED (B) NOT INCLUDED IN 84420 |

MF 410/415 COMBINES - 819548

8

CYLINDER HEAD COVER A4.300
 CACHE - CULHUTEURES A4.300
 ZYLINDERKOPFDECKEL A4.300
 TAPA DE CULATA A4.300

CPD. 20152



Printed in U.K.

410/415 Combine

819 548 M2 (Issue 1) 5/70

MASSEY FERGUSON**MF 410/415 COMBINES - 819548**

819548

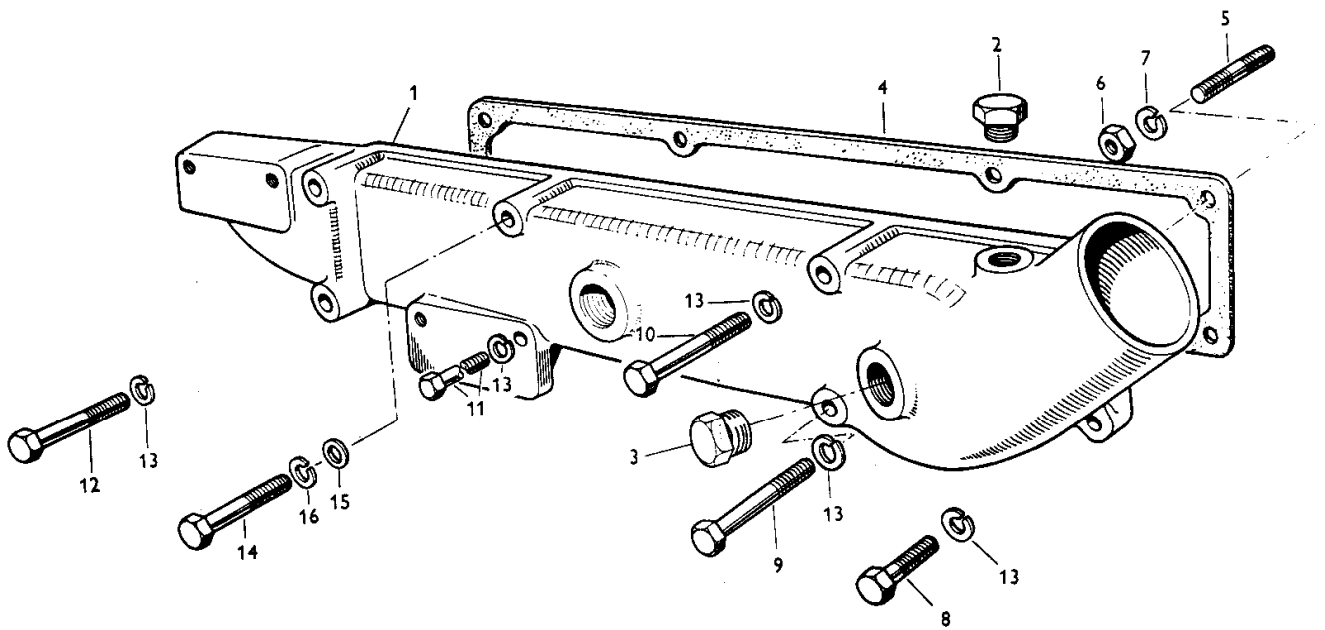
CYLINDER HEAD COVER - A4.300

8

| Item | Part Number | Qty | Description | Comments |
|------|-------------|-----|------------------|---------------------------|
| | | | | A4.300 |
| 1 | 37188537 | 1 | Cover | |
| 2 | 0490770 | 1 | Joint | |
| 3 | 0576104 | 4 | Nut | |
| 4 | 0920004 | 4 | Washer | |
| 5 | 0920306 | 4 | Washer | |
| 11 | 35736168 | 1 | Pipe | |
| 12 | 0202058 | 1 | Hose | |
| 13 | 0180103 | 2 | Clip | |
| 14 | 32579 | 1 | Body | |
| 15 | 0180063 | 1 | Clip | |
| 16 | 37335125 | 1 | Clip | |
| 17 | 2174565 | 1 | Screw | |
| 18 | 0576053 | 1 | Nut | |
| 19 | 0920051 | 1 | Washer | |
| 25 | 88459 | 1 | Rocker Shaft Ass | |
| 26 | 52706 | 1 | Rocker Shaft | |
| 27 | | 1 | | Not serviced, order 52706 |
| 28 | 0650507 | 2 | Plug | |
| 29 | 0330624 | 2 | Washer | |
| 30 | 0170033 | 2 | Circlip | |
| 31 | 0780095 | 3 | Spring | |
| 32 | 37521292 | 4 | Bracket | |
| 33 | 88460 | 8 | Rocker | |
| 34 | | 1 | | Not serviced, order 50311 |
| 35 | 0050132 | 1 | Bush | |
| 36 | 0330623 | 4 | Spacer | |
| 37 | 0720579 | 8 | Screw | |
| 38 | 0576052 | 8 | Nut | |
| 39 | 0990871 | 13 | Pipe,Oil | |
| 40 | 0720580 | 1 | Screw | |
| 41 | 0760001 | 1 | Shim | |
| 46 | 0206002 | 1 | Union | |
| 47 | 0576111 | 1 | Nut | |
| 48 | 0566002 | 1 | Olive | |
| 49 | 0826493 | 4 | Stud | |
| 50 | 2212283 | 4 | Nut | |
| 51 | 0920004 | 4 | Washer | |
| 52 | 0700044 | 8 | Pushrod | |
| 53 | 0860009 | 8 | Tappet | |

AIR INDUCTION SYSTEM A4.300
SYSTEME D'ADMISSION D'AIR A4.300
LUFTANS AUGGEHAEUSE A4.300
SISTEMA DE INDUCCION DE AIRE A4.300

CPO.2033/1



MASSEY FERGUSON

MF 410/415 COMBINES - 819548

819548

AIR INDUCTION SYSTEM - A4.300

11

| Item | Part Number | Qty | Description | Comments |
|------|-------------|-----|-------------|---------------|
| 1 | 37786264 | 1 | Manifold | A4.300 (B) |
| | 37756265 | 1 | Manifold | |
| 2 | 0650204 | 1 | Plug | |
| 3 | 0650722 | 1 | Plug | (A) |
| 4 | 0490737 | 1 | Joint | |
| 5 | 0826223 | 1 | Stud | |
| 6 | 0576002 | 1 | Nut | |
| 7 | 0920053 | 1 | Washer | |
| 8 | 0746211 | 1 | Bolt | |
| 9 | 0096237 | 1 | Bolt | |
| 10 | 0096237 | 1 | Bolt | |
| 11 | 0096237 | 1 | Bolt | |
| 12 | 0096235 | 2 | Bolt | |
| 13 | 0920053 | 6 | Washer | |
| 14 | 0096235 | 1 | Bolt | |
| 15 | 0920003 | 1 | Washer | |
| 16 | 0920053 | 1 | Washer | |

(A)

"2 OFF" USED ONLY WITH 37786264.

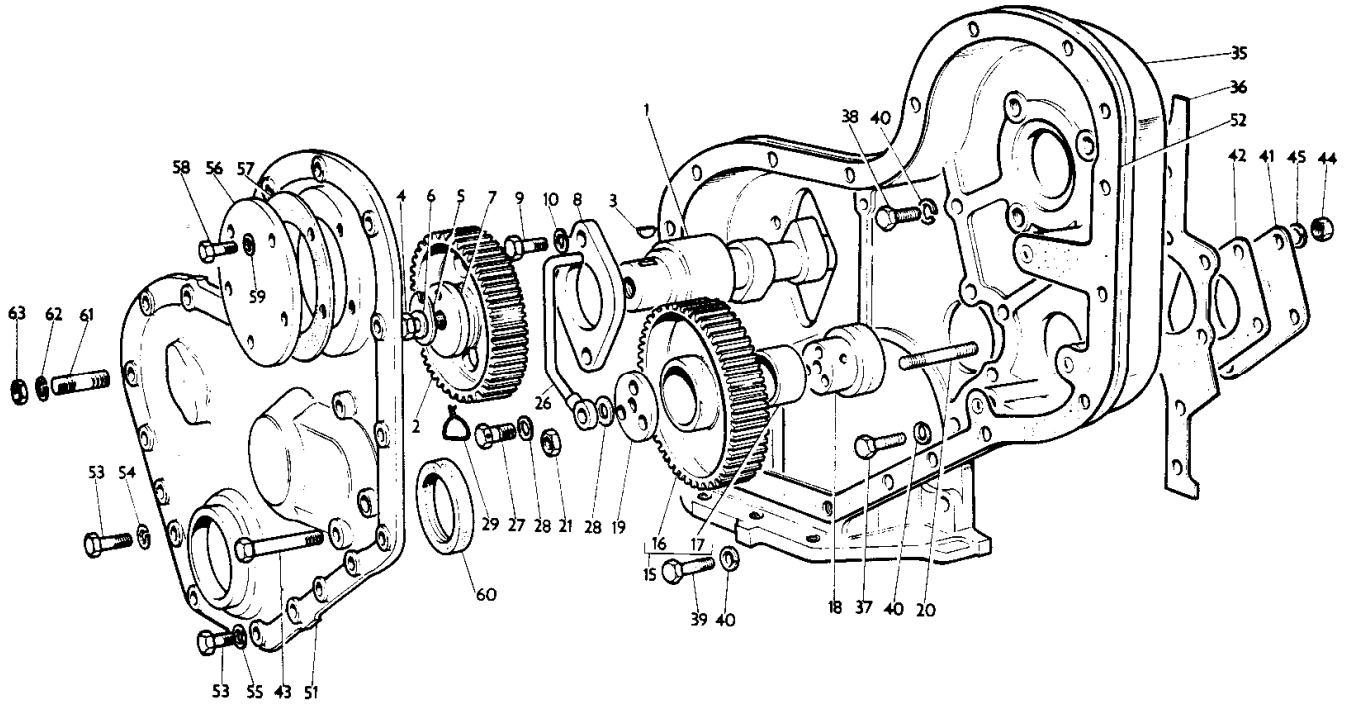
(B)

NO LONGER SERVICED USE 37756265.

12

TIMING GEAR A4, 300
DISTRIBUTION A4, 300
STUERGETRIEBE A4, 300
DISTRIBUCION A4, 300

CPO. 2034



Buy Now



Our support email:

ebooklibonline@outlook.com