

Page Title	Page Number
CYLINDER BLOCK - AD3.152	2
CYLINDER HEAD - AD3.152	6
CRANKSHAFT - AD3.152	8
CYLINDER HEAD COVER - AD3.152	12
AIR INDUCTION AND EXHAUST SYSTEM - AD3.152	14
TIMING GEAR - AD3.152	16
LUBRICATING OIL SUMP - AD3.152	20
LUBRICATING OIL FILTER - AD3.152	22
WATER PUMP - AD3.152	24
FUEL OIL LIFT PUMP - AD3.152	26
FUEL INJECTION EQUIPMENT - AD3.152	28
ALTERNATOR POSITIONER - AD3.152	30
JOINTS AND GASKETS - AD3.152	32
ENGINE INSTALLATION	34
ELECTRICAL EQUIPMENT	36
STARTER-LUCAS - TEMPERATE CLIMATE	40
STARTER-LUCAS - COLD CLIMATE	42
ALTERNATOR-LUCAS	44
BATTERY - TRACTORS LESS LAMBOURN CAB	46
BATTERY - TRACTORS WITH CAB	48
COOLING SYSTEM	50
FUEL TANK AND ATTACHMENTS	52
FUEL FILTERS AND PIPES	54
FUEL FILTER	56
AIR FILTER	58
AIR FILTER-OIL BATH AIR FILTER	60
AIR FILTER-OIL BATH AIR FILTER - WITH LAMBOURN CAB	62
MUFFLER VERTICAL - UP TO SERIAL NO 515906	64
MUFFLER VERTICAL - FROM SERIAL NO. 515906	66
MUFFLER HORIZONTAL	68
THROTTLE CONTROLS - TRACTORS LESS LAMBOURN CAB	70
INSTRUMENT PANEL AND INSTRUMENTS	74
SHEET METAL-PANEL WIRING	76
SINGLE CLUTCH	78
DUAL CLUTCH	80
SPLIT TORQUE CLUTCH	82
CLUTCH PEDAL AND LINKAGE - TRACTORS LESS LAMBOURN CAB	84
TRANSMISSION-HOUSING	86
TRANSMISSION-GEAR TRAIN	90
8 SPEED CONSTANT MESH TRANSMISSION-HOUSING	94
8 SPEED CONSTANT MESH TRANSMISSION-GEAR TRAIN	98
8 SPEED SYNCHROMESH TRANSMISSION-HOUSING	102
8 SPEED SYNCHROMESH TRANSMISSION-FORK AND GEAR SHIFTRAIL	104
8 SPEED SYNCHROMESH TRANSMISSION-MAIN SHAFT	106
8 SPEED SYNCHROMESH TRANSMISSION-COUNTERSHAFT	108
8 SPEED SYNCHROMESH ZF TRANSMISSION-SYNCHROMESH	110
MULTIPOWER TRANSMISSION-HOUSING	112
MULTIPOWER TRANSMISSION-GEAR TRAIN	116
MULTIPOWER TRANSMISSION-OIL FLOW	120
EPICYCLIC UNIT	122
MULTI POWER TRANSMISSION-SHIFT CONTROL	124
POWER TAKE OFF - SIDE POWER TAKE OFF	126
PTO-DRIVE MECHANISM-SINGLE SPEED	128

PTO-COVER ASSEMBLY	130
IPTO-PIPES AND COVER	132
IPTO-CLUTCH AND VALVES	134
REAR AXLE-SPACER	138
REAR AXLE CENTRE HOUSING	140
REAR AXLE CENTRE HOUSING - SIDE P.T.O	142
REAR AXLE-DIFFERENTIAL	144
REAR AXLE-DIFFERENTIAL - FOR '3A' AND JAPANESE MARKETS ONLY	146
REAR AXLE-DIFFERENTIAL LOCK MECHANISM	150
REAR AXLE-DIFFERENTIAL LOCK MECHANISM - FOR '3A' AND JAPANESE MARKETS ONLY	152
REAR AXLE- DIFFERENTIAL LOCK PEDAL - FOR '3A' AND JAPANESE MARKETS ONLY	154
REAR AXLE-HOUSING	156
REAR AXLE-HOUSING - FOR '3A' AND JAPANESE MARKETS ONLY	158
DRUM BRAKES	160
WET BRAKES - FOR '3A' AND JAPANESE MARKETS ONLY	162
BRAKE PEDALS AND LINKAGE	164
BRAKE PEDALS AND LINKAGE-SEALS BRAKES - TRACTORS LESS LAMBOURN CAB	168
HANDBRAKE	172
HANDBRAKE - FOR JAPANESE AND 3A MARKETS ONLY	174
HANDBRAKE-SEALED BRAKES - TRACTORS LESS LAMBOURN CAB	176
REAR WHEELS	178
REAR WHEELS - 3A MARKETS ONLY	180
FRONT WHEELS	182
AXLE SUPPORT	184
FRONT AXLE - POWER ASSISTED STEERING	186
STEERING WHEEL - POWER ASSISTED STEERING	190
STEERING WHEEL - MANUAL STEERING	194
STEERING GEAR	196
STEERING HYDRAULIC LINES	200
STEERING PUMP - UP TO SER. NO. 515901	202
STEERING PUMP - 'BARNES' FROM SERIAL NUMBER 515901	204
POWER STEERING VALVE	208
POWER STEERING VALVE	210
STEERING CYLINDER	212
STEERING LINKAGE	214
CONVERSION KIT - MANUAL TO POWER STEERING	216
HYDRAULIC LIFT PUMP	220
HYDRAULIC PUMP-STRAINER UNIT	226
HYDRAULIC PUMP-PRESSURE CONTROL VALVE	228
HYDRAULIC PUMP-COVER	230
HYDRAULIC PUMP-BODY SHAFT PISTON	232
HYDRAULIC PUMP-STRAINER UNIT - UP TO 26-08-91	234
HYDRAULIC PUMP-OSCILLATOR VALVE	236
HYDRAULIC PUMP-MULTIPOWER	238
HYDRAULIC PUMP-AUXILIARY	240
HYDRAULICS,PUMP CONTROL-MK3A	244
OIL COOLER AND FILTER - UP TO SERIAL NO 510536	248
OIL FILTER - MICRONIC FILTRATION	254
OIL COOLER - FROM SERIAL NO 510537-MICRONIC FILTRATION	256
HYDRAULIC LIFT COVER	260
HYDRAULIC LIFT COVER - FOR JAPANESE AND 3A MARKETS ONLY	264
LIFT ARMS	266
LIFT ARMS - FOR JAPANESE AND 3A MARKETS ONLY	270

TABLE OF CONTENT

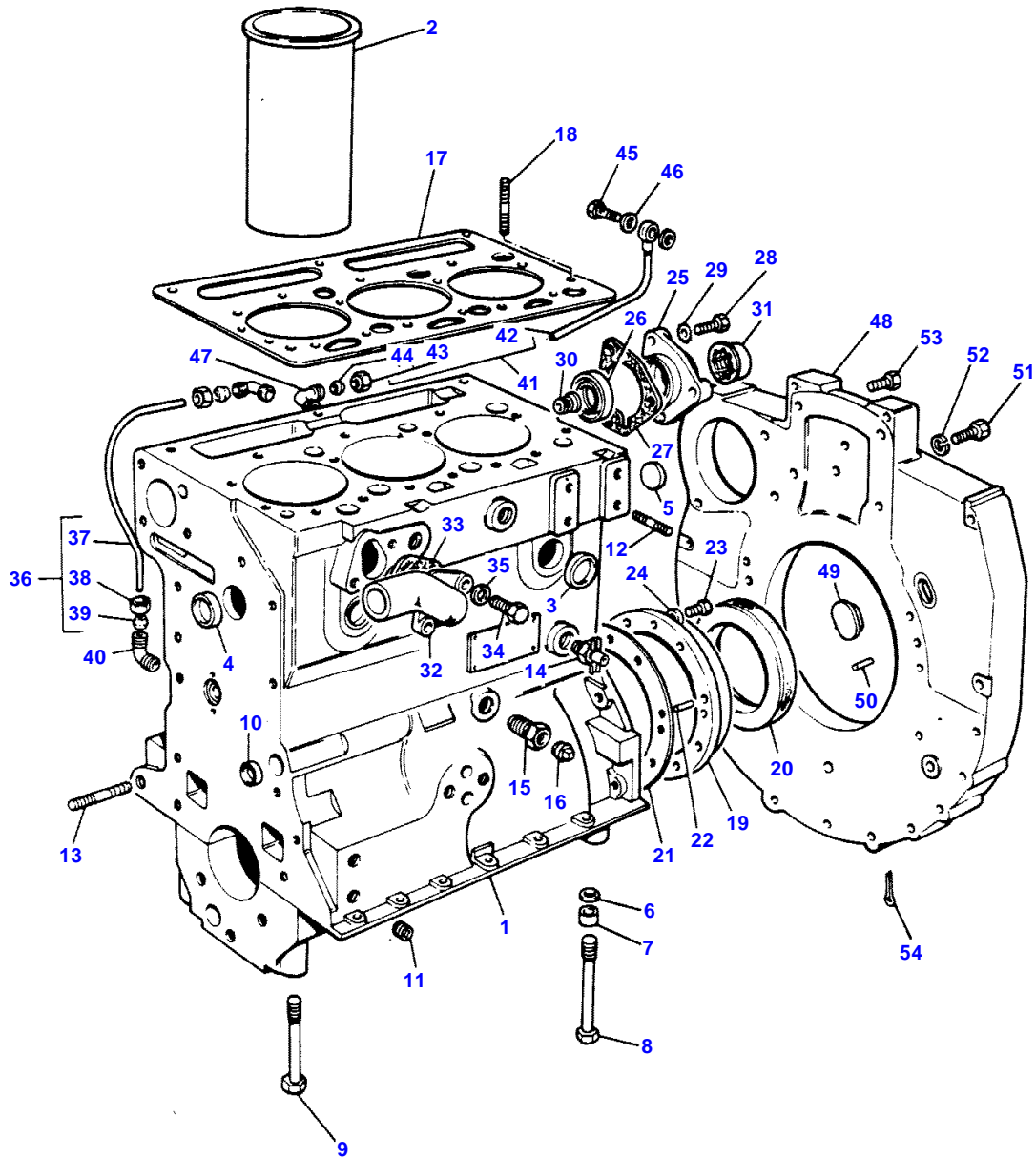
TOP LINKS - FOR JAPANESE AND 3A MARKETS ONLY	270
DRAFT AND POSITION CONTROLS	274
QUADRANT AND CONTROL LEVERS-LAMBOURN CABS	278
RESPONSE CONTROLS	282
RESPONSE CONTROLS - FOR JAPANESE AND 3A MARKETS ONLY	284
RESPONSE CONTROLS-LAMBOURN CAB	286
TOP LINKS-CAT 1 AND 2	288
LOWER LINKS-CAT 1 AND 2	290
TOP LINKS-STOWAGE HOOK	292
SHEET METAL	294
SHEET METAL-FLAT TOP FENDERS	298
SHEET METAL-FLAT TOP FENDERS - FOR JAPANESE AND 3A MARKETS ONLY	304
SHEET METAL-FLAT TOP FENDERS - FOR GERMANY AND ITALY ONLY	306
SHEET METAL-SAFETY FENDERS	310
GUARDS PTO AND ALTERNATOR	312
FOOTSTEP	314
EMBLEMS	316
SPEED CHARTS	318
SEAT-SPRING SUSPENSION	322
SEAT-DE LUXE	324
SEAT-SABLE	326
SEAT-GRAMMER - SWEDEN ONLY- DS 44/1H	328
SEAT-GRAMMER	330
CIGAR LIGHTER	332
HORN AND MIRRORS	334
TOOLS	336
TOOL BOX	338
SAFETY FRAME - ITALY AND FRANCE ONLY	340
FRONT LIGHTING EQUIPMENT	342
REAR LIGHTING EQUIPMENT-FLAT TOP FENDERS - ITALY ONLY WITH FRENCH FENDERS	346
REAR LIGHTING EQUIPMENT-SAFETY FENDERS	350
REAR LIGHTING EQUIPMENT-FLAT TOP FENDERS - UP TO SERIAL NO 513171	354
REAR LIGHTING EQUIPMENT - FROM SERIAL NUMBER 513171	360
WORK LIGHT	364
OIL PIPE KIT - SALES CODE ACC 860	366
OIL PIPE KIT	368
OIL PIPE KIT - CODE 557 878	370
OIL PIPE KIT-SELECTOR VALVE	372
SINGLE SPOOL VALVE - CODE 557 750	374
DUAL SPOOL VALVE - CODE 557 751	376
SPOOL VALVE SLICE CONVERSION KIT - CODE 557 752	378
LEVER KIT	380
DETENT KIT - CODE 557 800	382
SUPPORT KIT	384
BRACKET AND FITTINGS KIT - CODE 557 753	386
BOLT KIT	388
HYDRAULIC SELECTOR VALVE KIT - CODE 557 761	390
OUTLET HOSE KIT-SINGLE SPOOL - CODE 557 758	392
OUTLET HOSE KIT-SINGLE SPOOL	394
OUTLET HOSE KIT-DOUBLE SPOOL - CODE 557 759	396
OUTLET HOSE KIT-DOUBLE SPOOL	398
CONNECTOR ASSEMBLY KIT - CODE 557 762	400
SUPPLY HOSE KIT - CODE 557 757	402
HOSE KIT-LINKAGE FLOW MK 111 A VALVE	404

## TABLE OF CONTENT

00

SUB FRAME,BOLT KIT AND WEIGHTS - CODE 557 806	406
SUB FRAME,BOLT KIT AND WEIGHTS - CODE 557 808	408
SUB FRAME,BOLT KIT AND WEIGHTS	410
36 KG WEIGHT AND BOLT KIT - CODE 557 809	412
TOW PIN - CODE 557 811	414
DUAL REAR WHEEL ADAPTOR KIT - CODE 557 827	416
WEIGHTS - CODE 557 812- FRONT WHEEL WEIGHTS - 16AND 18WHEE LS	418
WEIGHTS - CODE 557 813- FRONT WHEEL WEIGHTS - 19 WHEELS	420
WEIGHTS - CODE 557 863- FRONT END WEIGHTS	422
WEIGHTS - CODE 557 815- REAR WHEEL WEIGHTS - 2ND SET	424
WEIGHTS - CODE 557 864- FRONT END WEIGHTS	426
CHAIN STABILISER KIT	428
AUTOMATIC HITCH - CODE 557 901	430
AUTOMATIC HITCH WITH DRAWBAR FRAME - CODE 557 902	432
SWINGING DRAWBAR - CODE 557 905	436
PRESSURE CONTROL COUPLER - CODE 557 908	438
PTO PULLEY - CODE 557 830	440
PTO PULLEY AND GUARD - CODE 557 831	442
KIT - DIPPED-MAIN BEAM SWITCH	446
FRONT AXLE-HOUSING	448
FRONT AXLE-DIFFERENTIAL-4 WHEEL DRIVE	450
FRONT AXLE FINAL DRIVE-4 WHEEL DRIVE	452
AXLE SUPPORT	454
SIDE DRIVE GEARBOX	456
SIDE DRIVE GEARBOX	458
CLUTCH	460
DRIVE SHAFT-4 WHEEL DRIVE	462

3-0050-001-A



MASSEY FERGUSON

MF 240 TRACTOR, ->| 522353 (GB) - 819670

819670

CYLINDER BLOCK - AD3.152

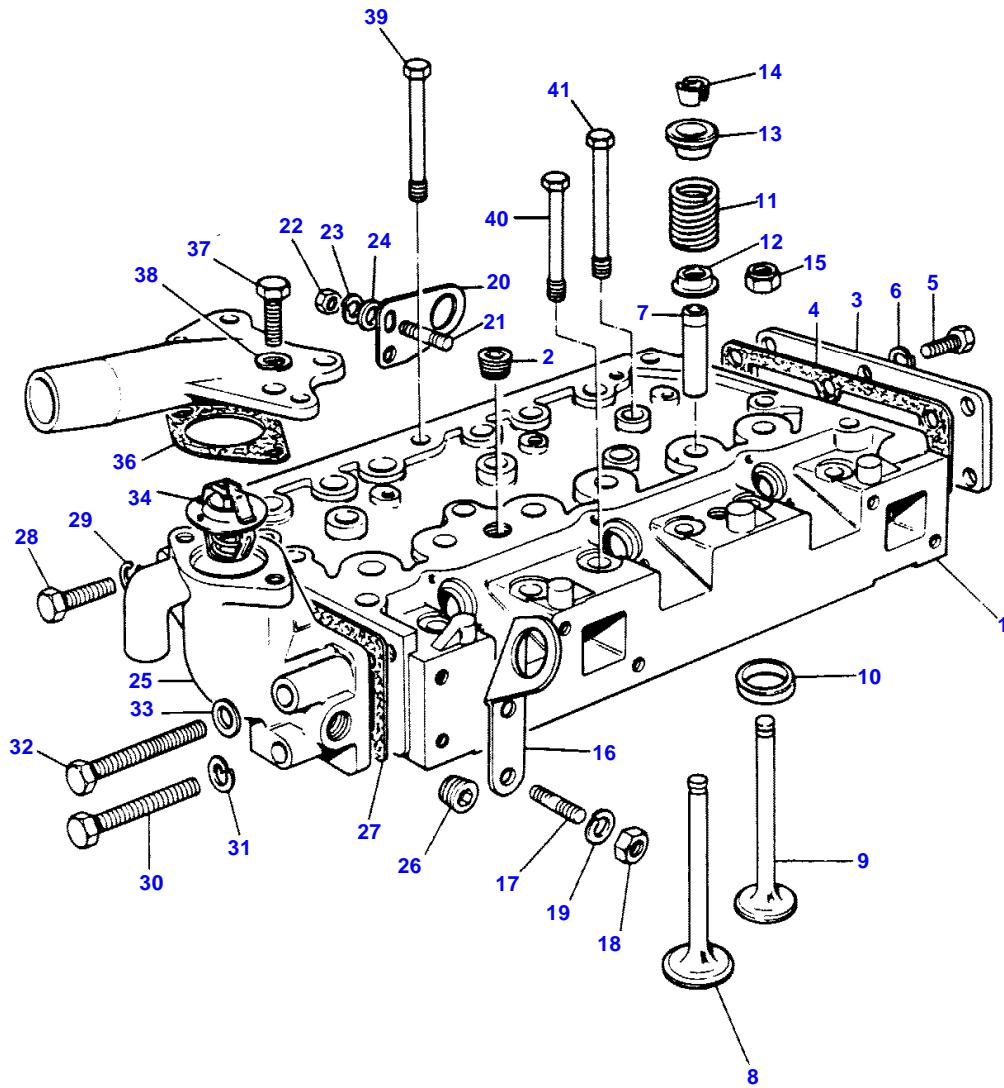
2

Item	Part Number	Qty	Description	Comments
				AD3.152
1	61424	1	Cylinder Block	
2	31358381	3	Liner	(1)
				(A)
2	31358345	1	Liner	(B)
3	0650563	4	Plug	(1)
4	0650710	1	Plug	(1)
5	0650664	1	Plug	(1)
6	2415608	2	O Ring	
7	0870001	8	Thimble	(1)
8	32181442	2	Screw	(1)
9	32181441	6	Screw	(1)
10	0650566	2	Plug	
11	32114471	1	Plug	
12	0826214	4	Stud	
13	32526512	1	Stud	
14	31419	1	Cock	
15	0470682	1	Adaptor	
16	0650594	1	Plug	
17	36812127	1	Gasket	
18	32524132	2	Stud	
19	37424611	1	Housing	
20	2415391	1	Seal	
21	33826111	1	Joint	
22	0350015	2	Dowel	
23	0746255	9	Setscrew	
24	0920003	9	Washer	
25	37416751	1	Housing	
26	30854	1	Seal	
27	36862511	1	Joint	
28	0746254	3	Setscrew	
29	0920299	3	Washer	
30	33473106	1	Connection	
31	32813106	1	Cap Nut	
32	0201045	1	Connection	
33	0490486	1	Joint	
34	0746255	2	Setscrew	
35	0920106	2	Washer	
36	35352404	1	Pipe,Oil	
37		1	Pipe	(36)
				Not serviced, order 35352404
38	0576111	2	Nut	(36)
39	0566002	2	Olive	(36)
40	0201047	2	Connection	
41	35568319	1	Pipe	
42		1	Pipe	(41)
				Not serviced, order 35568319
43	0576111	1	Nut	(41)
44	0566002	1	Olive	(41)
45	0095350	1	Bolt	
46	0920126	2	Washer	
47	0201047	1	Connection	
48	37147974	1	Plate	
49	37813113	1	Plug	
50	0350016	2	Dowel	
51	0746454	6	Setscrew	
52	0920054	6	Washer	
53	0720798	2	Screw	
54	0610045	1	Pin	

(A)  
PRESS FIT

(B)  
SLIP FIT

3-0075 -001-A

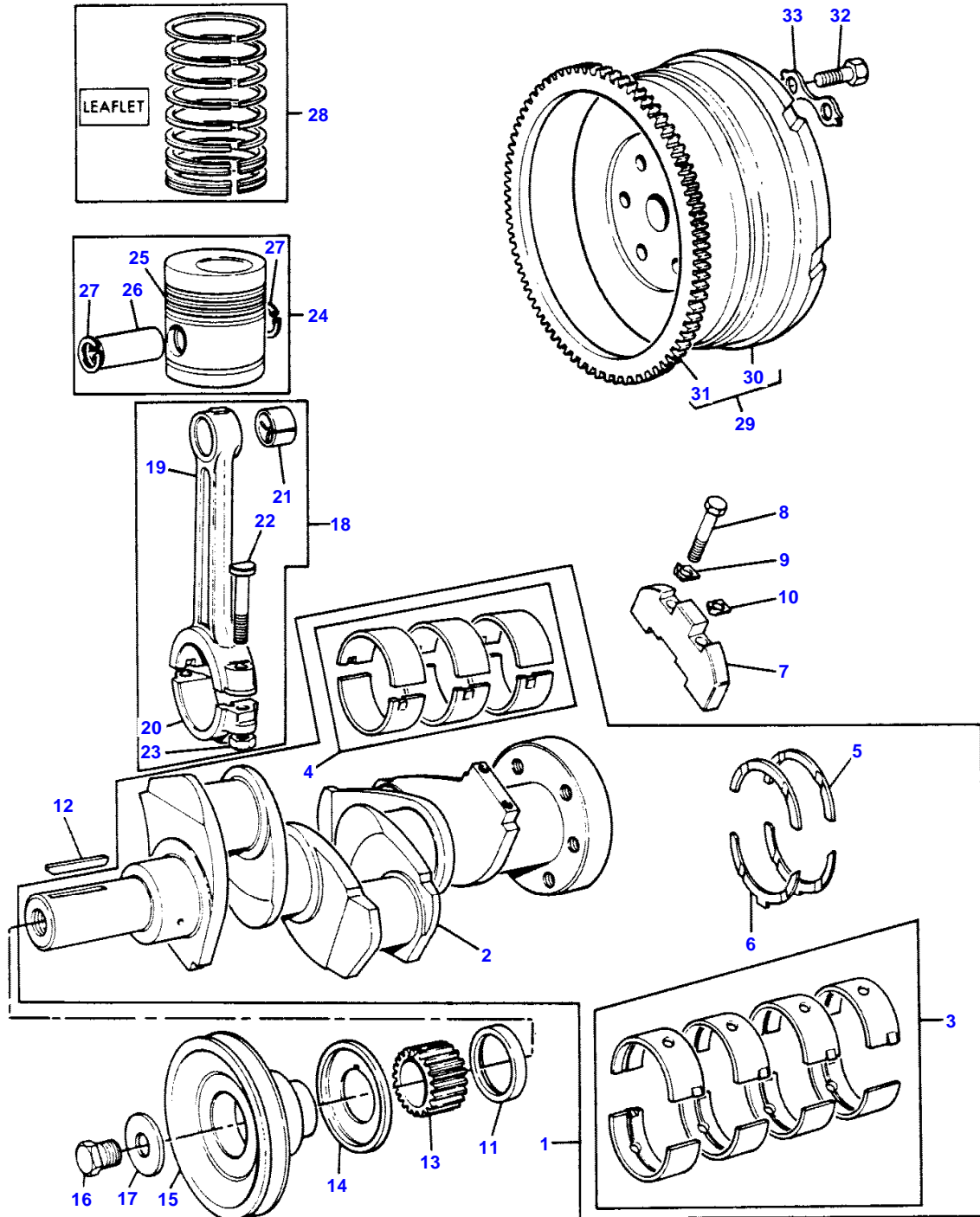


Item	Part Number	Qty	Description	Comments
				AD3.152
1	68128	1	Cylinder Head	
2	2431154	2	Plug	(1)
3	0940737	1	Plate	(1)
4	0490485	1	Joint	(1)
5	0746254	6	Setscrew	(1)
6	0920053	6	Washer	(1)
7	33261723	6	Guide	(1)
8	31431281	3	Valve Inlet	(1)
9	31431591	3	Valve Exhaust	(1)
10	33124428	3	Insert	
11	0780006	6	Spring	(1)
12	33415133	6	Washer	(1)
13	0150008	6	Cap	(1)
14	33173115	6	Cotter	(1) (A)
15	33221315	2	Nut	
16	36456321	1	Plate	
17	0826462	2	Stud	
18	0576051	2	Nut	
19	0920054	2	Washer	
20	36237727	1	Plate	
21	0826466	2	Stud	
22	0576051	2	Nut	
23	0920054	2	Washer	
24	0920004	1	Washer	
25	37766362	1	Body	
26	0650586	1	Plug	
27	0490482	1	Joint	
28	0746255	3	Setscrew	
29	0920053	3	Washer	
30	0096437	1	Bolt	
31	0920054	1	Washer	
32	0096441	1	Bolt	
33	0920155	1	Washer	
34	2485648	1	Thermostat	
35	37747581	1	Connection	
36	0490184	1	Joint	
37	0096432	2	Screw	
38	0920054	2	Washer	
39	32181445	3	Screw	
40	32181447	4	Screw	
41	32181446	9	Screw	

(A)  
SERVICED IN PAIRS

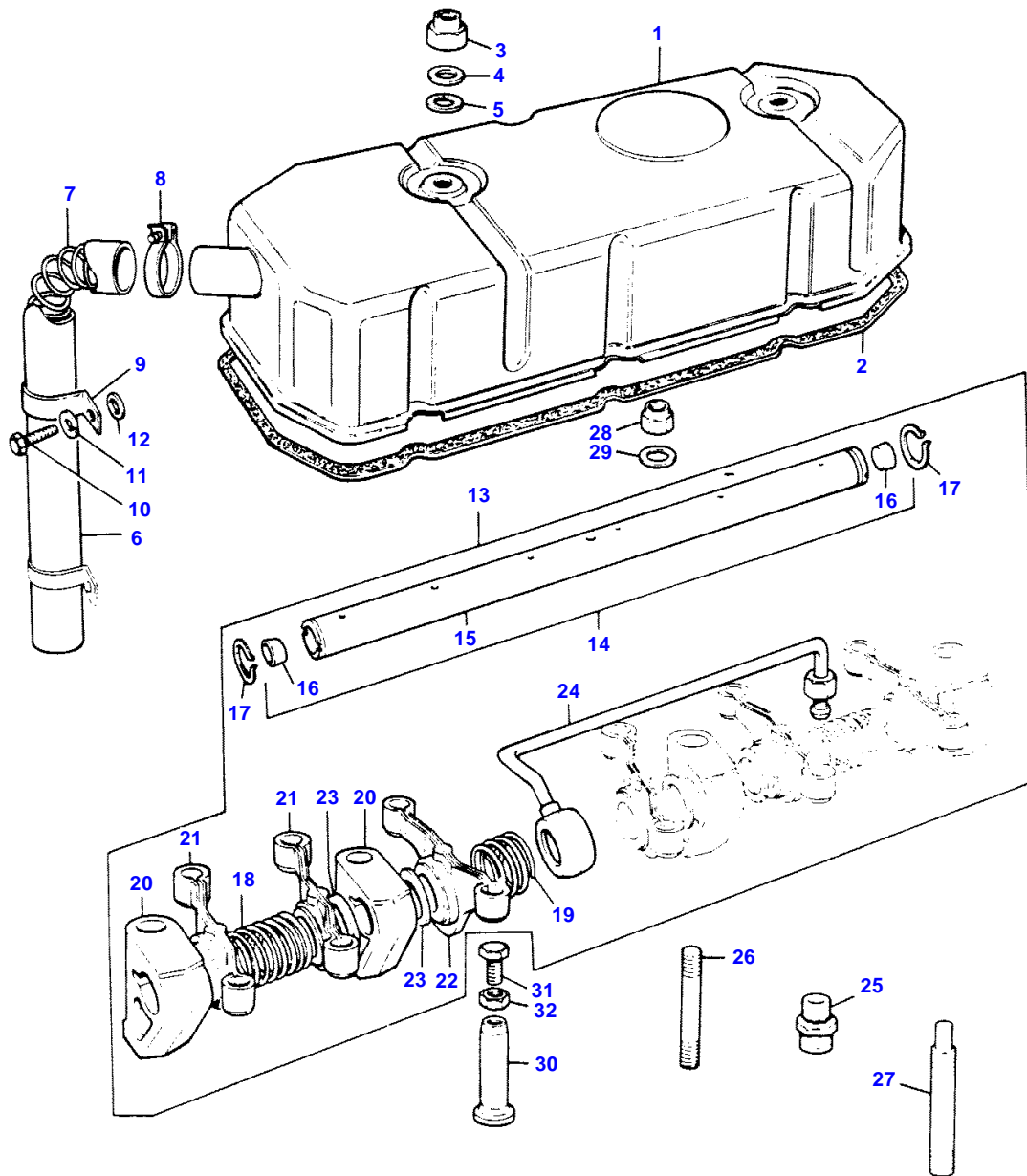


3-0080-001-A



Item	Part Number	Qty	Description	Comments
				AD3.152
1	94458	1	Kit, Crankshaft	
2		1	Crankshaft	(1) Not serviced, order 94458
3	58703	1	Kit, Bearing	(1) (A)
3	58703A	X	Kit, Bearing	(A) Thickness -0.010"
3	58703B	X	Kit, Bearing	(A) Thickness -0.020"
3	58703C	X	Kit, Bearing	(A) Thickness -0.030"
4	85036	1	Kit, Bearing	(1) (A)
4	85036A	X	Kit, Bearing	(A) Thickness -0.010"
4	85036B	X	Kit, Bearing	(A) Thickness -0.020"
4	85036C	X	Kit, Bearing	(A) Thickness -0.030"
5	31137211	2	Thrust Washer	(1)
	31137212	X	Washer	Thickness +0.007"
6	31137221	2	Thrust Washer	(1)
	31137222	X	Washer	Thickness +0.007"
7	0995415	2	Weight	(B)
8	2185189	4	Screw	
9	31731515	2	Washer	
10	31731516	2	Washer	
11	0330811	1	Spacer	
12	36271704	1	Woodruff Key	
13	0410132	1	Gear,Crankshaft	
14	33176308	1	Flange	
15	31143733	1	Pulley,Crank	
16	32162312	1	Screw	
17	33125112	1	Washer	
18	91051	3	Conrod	
19		1	Conrod	(18) Not serviced, order 91051
20		1	Cap	(18) Not serviced, order 91051
21	31134151	1	Bush	(18)
22	0095250	2	Bolt	(18)
23	33221319	2	Nut	(18)
24	68331	3	Kit, Piston	(C)
	68332	3	Kit, Piston	(D)
25		1	Piston	(24) Not serviced, order 68331/68332
26		1	Pin	(24) Not serviced, order 68331/68332
27	0170001	2	Circlip	(24)
28	41158057	X	Kit, Piston Ring	
29	41112797	1	Flywheel	
30		1	Flywheel	(29) Not serviced, order 41112729
31	0410236	1	Starter Ring	(29)
32	32162203	6	Screw	
33	0921062	3	Tab Washer	
				(A) PRE-FINISHED
				(B) SERVICED IN MATCHED PAIRS
				(C) UNTOPPED
				(D) PRE-TOPPED

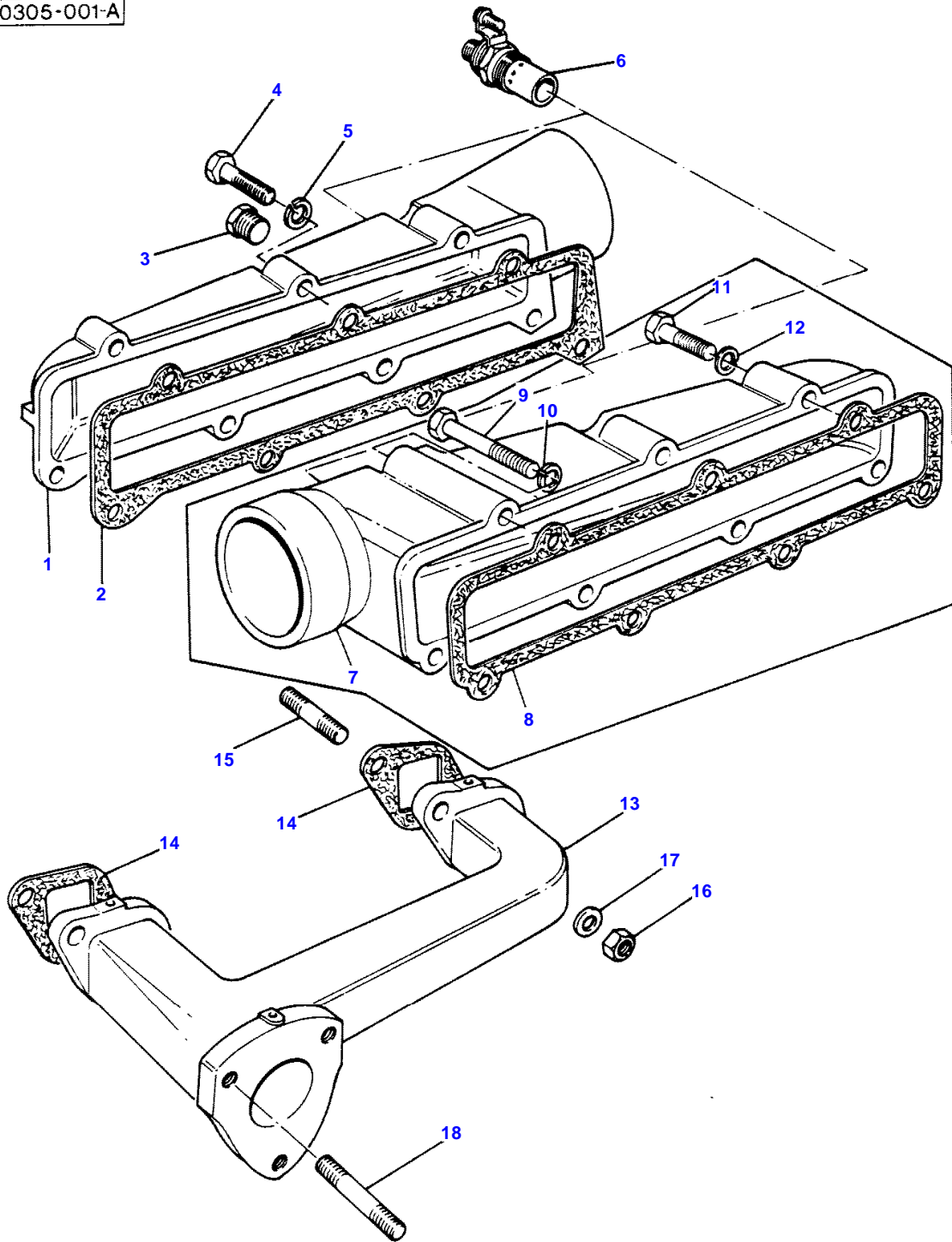
3-0085-001-B



**MASSEY FERGUSON****MF 240 TRACTOR, ->| 522353 (GB) - 819670****819670****CYLINDER HEAD COVER - AD3.152****12**

Item	Part Number	Qty	Description	Comments
				AD3.152
1	37188571	1	Cyl.Head Cover	
2	36811115	1	Joint	
3	0576102	2	Nut	
4	0920003	2	Washer	
5	0920302	2	Washer	
6	33872531	1	Pipe	
7	31754118	1	Spring	
8	2481802	1	Clip	
9	36561129	2	Clip	
10	0748354	1	Screw	
11	0920002	1	Washer	
12	2411152	1	Washer	
13	83135	1	Rocker Shaft	
14	53843	1	Rocker Shaft	(13)
15		1	Shaft	(14) Not serviced, order REF.14
16	0650507	2	Plug	(14)
17	0170033	2	Circlip	(13)
18	0780005	2	Spring	(13)
19	0780175	1	Spring	(13)
20	0101138	4	Bracket	(13)
21	0520430	3	Lever	(13)
22	0520429	3	Lever	(13)
23	0330505	4	Spacer	(13)
24	35568352	1	Pipe,Oil	(13)
25	0206002	1	Union	
26	2214209	2	Stud	
27	32754435	2	Stud	
28	2211283	4	Nut	
29	0920004	4	Washer	
30	0860012	6	Tappet	
31	0720677	6	Screw	
32	0576052	6	Nut	
33	0827601	1	Stud	
34	0576002	1	Nut	
35	0920053	1	Washer	

3-0305-001-A



MASSEY FERGUSON

MF 240 TRACTOR, ->| 522353 (GB) - 819670

819670

AIR INDUCTION AND EXHAUST SYSTEM - AD3.152

14

Item	Part Number	Qty	Description	Comments
				AD3.152
1	37786301	1	Induct.Manifold	
2	36867153	1	Joint	
3	0650204	1	Plug	
4	0746019	7	Screw	
5	0920052	7	Washer	
6	2666108	1	Intake Heater	
7	37786292	1	Induct.Manifold	(A)
8	36867153	1	Joint	
9	0096044	2	Screw	(A)
10	0920052	2	Washer	
11	0746019	5	Screw	
12	0920052	5	Washer	
13	37781571	1	Exhaust Manifold	
14	36862143	2	Gasket	
15	0826232	4	Stud	
16	2188134	4	Nut	
17	0920003	4	Washer	
18	0826403	3	Stud	

(A)  
WITH OIL BATH AIRFILTER

**Buy Now**



Our support email:

[ebooklibonline@outlook.com](mailto:ebooklibonline@outlook.com)