

Page Title	Page Number
CYLINDER BLOCK - A4 248 ENGINE	2
CYLINDER HEAD - A4,248 ENGINE	4
CRANKSHAFT - A4 248 ENGINE	8
CYLINDER HEAD COVER - A4,248 ENGINE	12
AIR INDUCTION AND EXHAUST SYSTEM - A4.248 ENGINE	14
TIMING GEAR - A4 248 ENGINE	16
LUBRICATING OIL SUMP - A4,248 ENGINE	20
BALANCER UNIT - A4,248 ENGINE	22
LUBRICATING OIL FILTER - A4.248 ENGINE	24
WATER PUMP - A4,248 ENGINE	26
FUEL OIL LIFT PUMP - A4.248 ENGINE	28
FUEL INJECTION EQUIPMENT - A4,248 ENGINE	30
ALTERNATOR POSITIONER - A4.248 ENGINE	32
JOINTS AND GASKETS - A4.248 ENGINE	34
ENGINE INSTALLATION - A4,248 ENGINE	36
ELECTRICAL EQUIPMENT	38
STARTER-LUCAS - TEMPERATE CLIMATE	42
STARTER-LUCAS - COLD CLIMATE	44
ALTERNATOR-LUCAS	46
ROAD SPEED LIMITING DEVICE	48
BATTERY	50
COOLING SYSTEM	52
FUEL TANK AND ATTACHMENTS	54
FUEL FILTERS AND PIPES	56
KIT - DUAL FUEL FILTERS - 3A ONLY	58
AIR FILTER	62
AIR FILTER-DRY - DUAL ELEMENT - 'DONALDSON' HEAVY DUTY - SOUTH AFRICA	64
AIR FILTER-OIL BATH AIR FILTER	66
EXHAUST SYSTEM - VERTICAL	70
EXHAUST SYSTEM - HORIZONTAL	72
HAND AND FOOT THROTTLE CONTROLS	74
INSTRUMENT PANEL AND INSTRUMENTS	78
SHEET METAL-PANEL WIRING	80
DUAL CLUTCH	82
SPLIT TORQUE CLUTCH	84
CLUTCH PEDAL AND LINKAGE	86
8 SPEED CONSTANT MESH TRANSMISSION-FORK AND GEAR SHIFTRAIL	88
8 SPEED CONSTANT MESH TRANSMISSION-GEAR TRAIN	92
12 SPEED TRANSMISSION - HOUSING	96
12 SPEED TRANSMISSION-FORK AND GEAR SHIFTRAIL	98
12 SPEED TRANSMISSION-INPUTSHAFT	100
12 SPEED TRANSMISSION-MAIN SHAFT	102
12 SPEED TRANSMISSION-COUNTERSHAFT	104
TRANSMISSION-TRANSMISSION OIL PIPE	108
MULTIPOWER CONSTANTMESH TRANSMISSION-FORK AND GEAR SHIFTRAIL	110
MULTIPOWER CONSTANTMESH TRANSMISSION-GEAR TRAIN	114
MULTIPOWER CONSTANTMESH TRANSMISSION-OIL FLOW	118
8 SPEED SYNCHROMESH TRANSMISSION-FORK AND GEAR SHIFTRAIL	120
8 SPEED SYNCHROMESH TRANSMISSION-GEAR TRAIN	124
8 SPEED SYNCHROMESH ZF TRANSMISSION-FORK AND GEARSHIFT RAIL	130
8 SPEED SYNCHROMESH Z.F. TRANSMISSION-GEAR TRAIN	134
MULTIPOWER SYNCHROMESH TRANSMISSION-FORK AND GEAR SHIFT	140
MULTIPOWER SYNCHROMESH TRANSMISSION-GEAR TRAIN	142

MULTIPOWER SYNCHROMESH Z.F. TRANSMISSION-FORK AND GEARSHIFT RAILS	148
MULTIPOWER SYNCHROMESH Z.F.TRANSMISSION-GEAR TRAIN	150
MULTIPOWER SYNCHROMESH TRANSMISSION-OIL FLOW	156
EPICYCLIC UNIT-HEAVY DUTY	158
SHIFT LEVER	160
SHIFT LEVERS-12 SPEED TRANSMISSION	162
MULTI POWER TRANSMISSION-SHIFT CONTROL	164
PTO-DRIVE MECHANISM-SINGLE SPEED	166
PTO PULLEY - CODE 557 832	168
PTO PULLEY AND GUARD - CODE 557 833	170
PTO-DRIVE MECHANISM-TWO SPEED	174
PTO-COVER ASSEMBLY	176
IPTO-PIPES AND COVER	178
IPTO-CLUTCH AND VALVES	180
REAR AXLE-SPACER	184
REAR AXLE CENTRE HOUSING	186
REAR AXLE-ATTACHMENTS	188
REAR AXLE-DIFFERENTIAL	190
REAR AXLE-DIFFERENTIAL LOCK MECHANISM	194
REAR AXLE- DIFFERENTIAL LOCK PEDAL	196
REAR AXLE-HOUSING - STANDARD DUTY	198
REAR AXLE-HOUSING - HEAVY DUTY	200
WET BRAKES	202
BRAKE PEDALS AND LINKAGE	204
HANDBRAKE	206
REAR WHEELS - PRESSED STEEL WHEELS	208
REAR WHEELS - DOUBLE DISC WHEELS	212
REAR WHEELS - POWER ASSISTED VARIABLE TRACK WHEELS	214
WEIGHTS - CODE 557 818- REAR WHEEL WEIGHTS - 1ST SET	218
FRONT WHEELS	220
FRONT AXLE-HEAVY DUTY	222
AXLE SUPPORT	226
STEERING GEAR	228
STEERING LINKAGE	232
CONVERSION KIT - MANUAL TO POWER STEERING	236
STEERING HYDRAULIC LINES	238
STEERING PUMP-AIR EQUIPEMENT	240
STEERING PUMP	242
STEERING CYLINDER	244
STEERING CYLINDER	246
HYDRAULIC LIFT PUMP	248
HYDRAULIC PUMP-STRAINER UNIT	252
HYDRAULIC PUMP-PRESSURE CONTROL VALVE	254
HYDRAULIC PUMP-MULTIPOWER	256
HYDRAULIC PUMP-AUXILIARY	258
HYDRAULICS,PUMP CONTROL-MK3A	262
HYDRAULICS,PUMP CONTROL-MK3A - WITH DUNCAN CAB	266
KIT, TWO SPOOL VALVE-LINKAGE FLOW - DUNCAN CAB	270
KIT, TWO SPOOL VALVE-COMBINED FLOW - UP TO SERIAL NO 344349	274
OIL COOLER AND FILTER - FROM SERIAL NO 344349- MICRONIC FILTRATION	278
OIL COOLER - DUNCAN CAB	282
OIL FILTER - MICRONIC FILTRATION	286
PRESSURE REGULATOR VALVE	288
HYDRAULIC LIFT COVER-HEAVY DUTY	290

TABLE OF CONTENT

LIFT ARMS	292
DRAFT AND POSITION CONTROLS	294
RESPONSE CONTROLS	296
TOP LINKS	298
LOWER LINKS	300
FRONT HITCH	304
CHAIN STABILISER AND EXTENSION KIT - CODES 557 835 / 557 836	306
AUTOMATIC HITCH - CODE 557 903	308
SWINGING DRAWBAR - CODE 557 906 HEAVY DUTY	310
SHEET METAL - FROM SERIAL NUMBER 347016	312
SHEET METAL-GRILLE - CODE 557 906 HEAVY DUTY	316
SHEET METAL-FENDERS WITHOUT SAFETY FRAME	318
GUARDS PTO AND ALTERNATOR	322
FOOTSTEP	324
TOOLS	328
EMBLEMS	330
SPEED CHARTS	332
SEAT-SPRING SUSPENSION	334
SEAT-DE LUXE	336
SEAT-SABLE	338
SEAT-GRAMMER	340
CIGAR LIGHTER	342
HORN AND MIRRORS	344
FRONT LIGHTING EQUIPMENT	346
REAR LIGHTING EQUIPMENT - FROM SERIAL NUMBER 347016	350
REAR LIGHTING EQUIPMENT - UP TO SER NO 347015	356
WORK LIGHT	358
OIL PIPE KIT - SALES CODE ACC 860	360
OIL PIPE KIT	362
OIL PIPE KIT - CODE 557 878	364
OIL PIPE KIT-HYDRAULIC LIFT COVER	366
ASSISTOR RAM KIT - CODE 557 829	368
AUTOMATIC HITCH WITH DRAWBAR FRAME - CODE 557 904	370
PRESSURE CONTROL COUPLER HEAVY DUTY - CODE 557 838	374
SUB FRAME,BOLT KIT AND WEIGHTS - CODE 557 806	376
SUB FRAME,BOLT KIT AND WEIGHTS - CODE 557 808	378
SUB FRAME,BOLT KIT AND WEIGHTS - CODE 557 810	380
36 KG WEIGHT AND BOLT KIT - CODE 557 809	382
TOW PIN - CODE 557 811	384
WEIGHTS - CODE 557 815- REAR WHEEL WEIGHTS - 2ND SET	386
WEIGHTS - CODE 557 812- FRONT WHEEL WEIGHTS - 16AND 18WHEE LS	388
WEIGHTS - CODE 557 813- FRONT WHEEL WEIGHTS - 19 WHEELS	390
WEIGHTS - CODE 557 862- FRONT WHEEL WEIGHTS - OUTER - 16 AN D 18 WHEELS	392
WEIGHTS - CODE 557 863- FRONT END WEIGHTS	394
WEIGHTS - CODE 557 615- FRONT END WEIGHTS	396
WEIGHTS - CODE 557 865- FRONT END WEIGHTS	398
WEIGHTS - CODE 557 864- FRONT END WEIGHTS	400
SINGLE SPOOL VALVE - CODE 557 750	402
SINGLE SPOOL VALVE - WITH DUNCAN CAB	404
DUAL SPOOL VALVE - CODE 557 751	406
DUAL SPOOL VALVE - WITH DUNCAN CAB	408
SPOOL VALVE SLICE CONVERSION KIT - CODE 557 752	410
LEVER KIT - WITH DUNCAN CAB	412
DETENT KIT - CODE 557 800	414

TABLE OF CONTENT

DEFLECT KIT - CODE 557 600	417
BRACKET AND FITTINGS KIT	416
BRACKET AND FITTINGS KIT - WITH DUNCAN CAB	418
COVER KIT - WITH DUNCAN CAB	420
HYDRAULIC SELECTOR VALVE KIT - CODE 557 761	422
TRAILER TIPPING KIT	424
OUTLET HOSE KIT-SINGLE SPOOL - CODE 557 758	426
OUTLET HOSE KIT-SINGLE SPOOL - WITH DUNCAN CAB	428
OUTLET HOSE KIT-DOUBLE SPOOL - CODE 557 759	430
OUTLET HOSE KIT-DOUBLE SPOOL - WITH DUNCAN CAB	432
CONNECTOR ASSEMBLY KIT - CODE 557 762	434
SUPPLY HOSE KIT - CODE 557 757	436
SUPPLY HOSE KIT-SIDE COVER TO SPOOL VALVE - WITH DUNCAN CAB	438
SUPPLY HOSE KIT-MKIIIA VALVE TO SPOOL VALVE - WITH DUNCAN CAB	440
SUPPLY HOSE KIT-COMBINE FLOW - WITH DUNCAN CAB	442
DECALS - SPOOL VALVES - WITH DUNCAN CAB	444

MASSEY FERGUSON

MF 290 TRACTOR, ->| 387020 (GB) - 819672

819672

CYLINDER BLOCK - A4 248 ENGINE

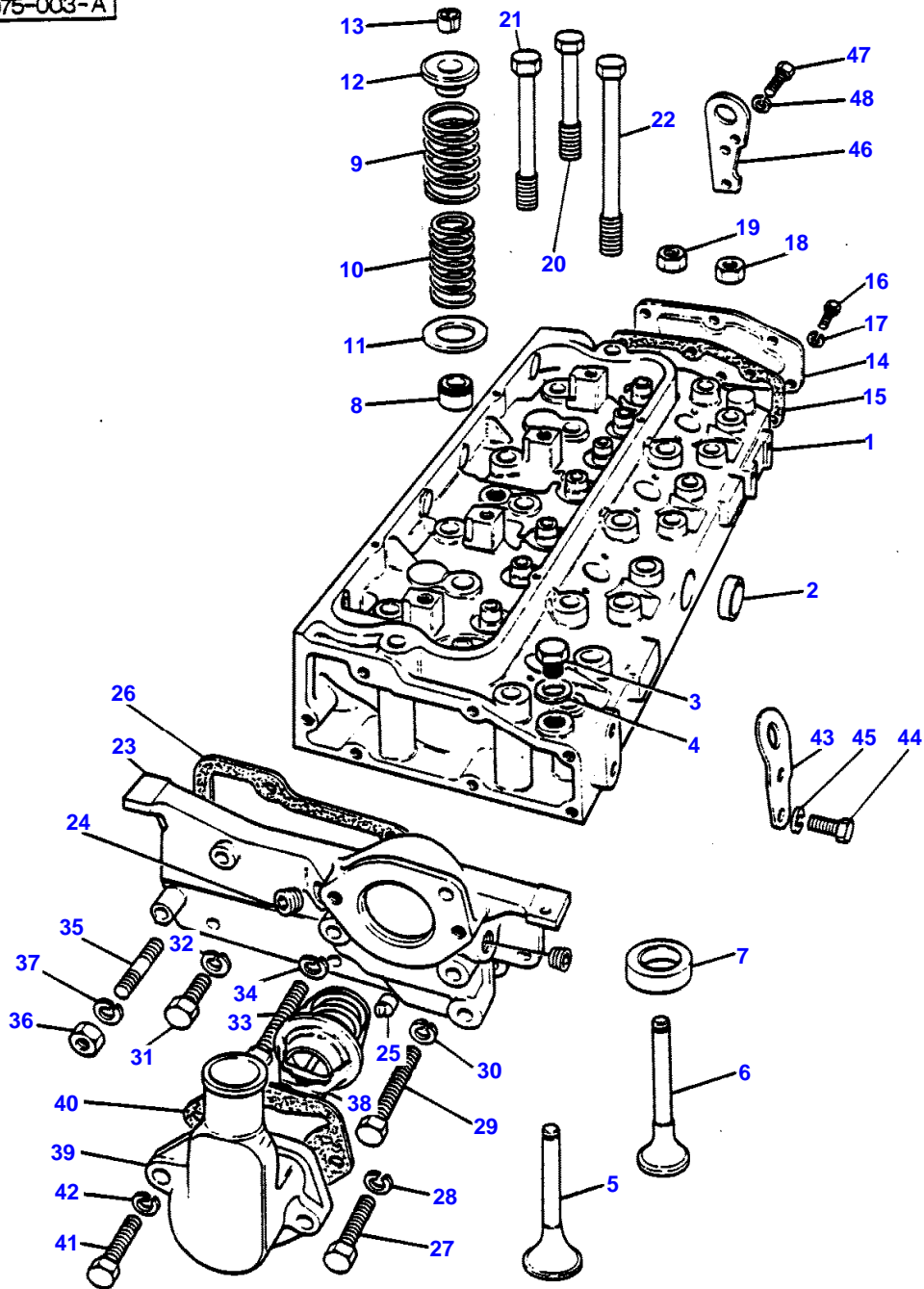
2

Item	Part Number	Qty	Description	Comments
				A4 248 ENGINE
1	61677	1	Block	
2	31358346	4	Liner	(1)
				(A)
2	31358352	4	Liner	(B)
3	31134132	1	Bush	(1)
4	0650563	2	Plug	(1)
5	0650563	6	Plug	(1)
6	0650618	4	Plug	(1)
7	33142111	10	Thimble	(1)
8	32166329	10	Bolt	(1)
9	32416105	1	Plug	
10	0650577	4	Plug	
11	32114501	1	Plug	
12	0650582	1	Plug	
13	0920130	1	Washer	
14	0650588	1	Plug	
15	0650588	2	Plug	
16	32417134	1	Plug	
17	32161114	1	Plug	
18	0650594	1	Plug	
19	31419	1	Cock	
20	32452113	1	Pointer	
21	0826481	3	Stud	
22	36812338	1	Gasket	
23	32526312	2	Stud	
24	32526311	2	Stud	
25	37513851	1	Housing	
26	2415391	1	Seal	
27	36817157	1	Joint	
28	0350009	2	Dowel	
29	0746211	10	Bolt	
30	0920003	10	Washer	
31	2172530	2	Capscrew	
32	33112111	2	Washer	
33	36277831	1	Bridge Piece	
34	32811408	2	Joint	
35	2176369	2	Screw	
36	0920521	2	Washer	

(A)
PRESS FIT

(B)
SLIP FIT

3-0075-003-A

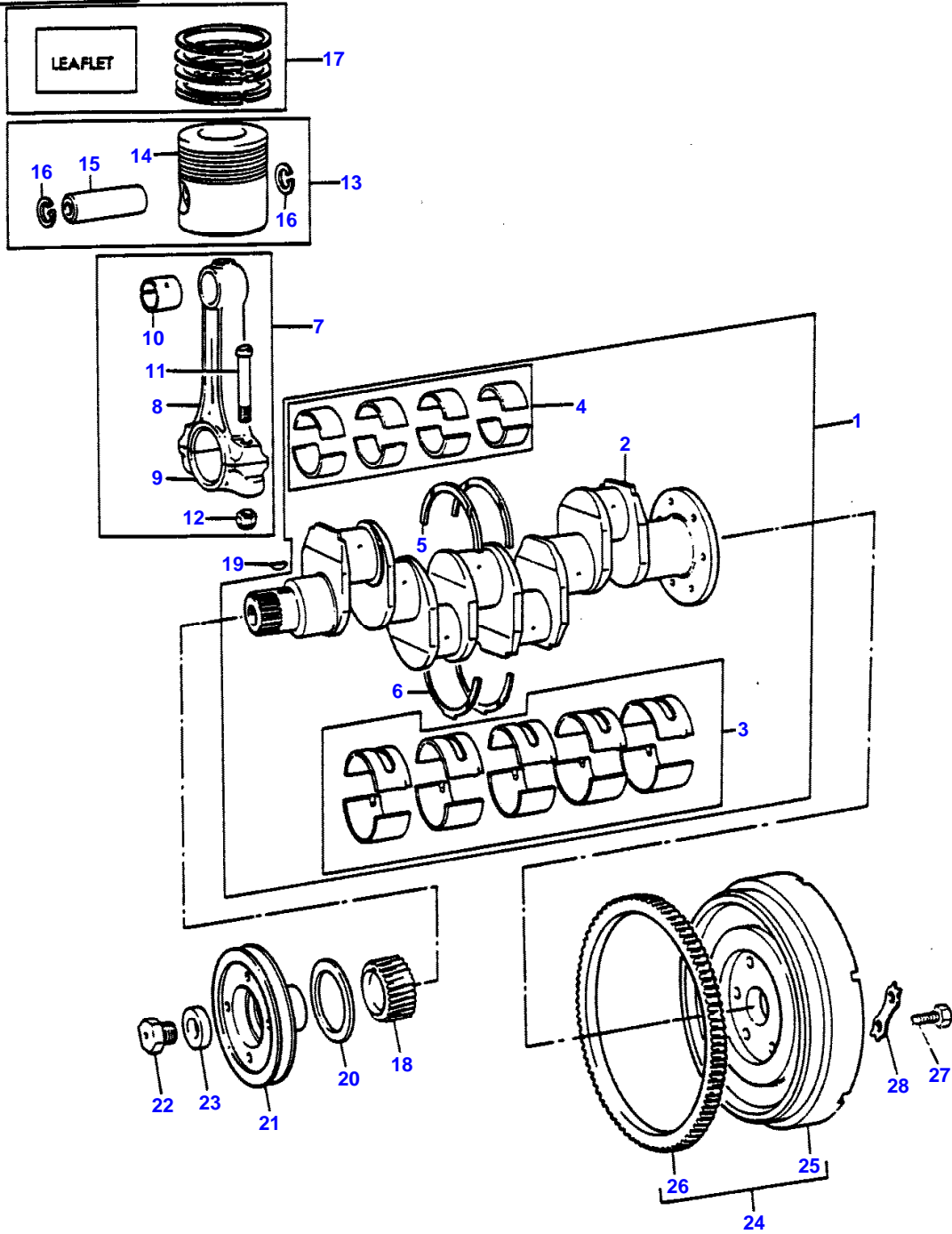


CYLINDER HEAD - A4,248 ENGINE

Item	Part Number	Qty	Description	Comments
				A4,248 ENGINE
1	68116	1	Cylinder Head	
2	0650563	1	Plug	(1)
3	0650203	1	Plug	(1)
4	2411157	1	Washer	(1)
5	31431315	4	Valve Inlet	(1)
	31431312	X	Valve Inlet	Thickness + 0.003"
	31431313	X	Valve Inlet	Thickness + 0.015"
	31431314	X	Valve Inlet	Thickness + 0.030"
6	31431851	4	Valve Exhaust	(1)
	31431411	X	Valve Exhaust	Thickness + 0.003"
	31431412	X	Valve Exhaust	Thickness + 0.015"
	31431413	X	Valve Exhaust	Thickness + 0.030"
7	33152153	4	Insert	(1)
8	33817117	8	Seal	(1)
	33817118	X	Seal	Thickness 0.015"
	33817119	X	Seal	Thickness 0.030"
9	31745121	8	Spring	(1)
10	31744131	8	Spring	(1)
11	33123117	8	Washer	(1)
12	33423122	8	Cap	(1)
13	33173108	8	Cotter	(1)
				(A)
14	37553142	1	Cover	(1)
15	36851409	1	Joint	(1)
16	0746255	6	Setscrew	(1)
17	0920053	6	Washer	(1)
18	33221316	2	Nut	
19	33287318	2	Nut	
20	32181424	6	Screw	
21	32181425	10	Screw	
22	32181426	2	Screw	
23	37762705	1	Body	
24	2431154	2	Plug	
25	2485791	1	Pin	
26	36853514	1	Joint	
27	0096434	2	Bolt	
28	0920054	2	Washer	
29	0096439	1	Bolt	
30	0920054	1	Washer	
31	0746255	2	Setscrew	
32	0920053	2	Washer	
33	0096238	1	Bolt	
34	0920053	1	Washer	
35	0826467	1	Stud	
36	0576051	1	Nut	
37	0920054	1	Washer	
38	2485659	1	Thermostat	
39	37746643	1	Connection	
40	36862151	1	Joint	
41	0096433	2	Bolt	
42	0920054	2	Washer	
43	36475706	1	Plate	
44	0746453	2	Setscrew	
45	0920054	2	Washer	
46	36177111	1	Plate	
47	0746453	2	Setscrew	
48	0920054	2	Washer	

(A)
SERVICED IN PAIRS

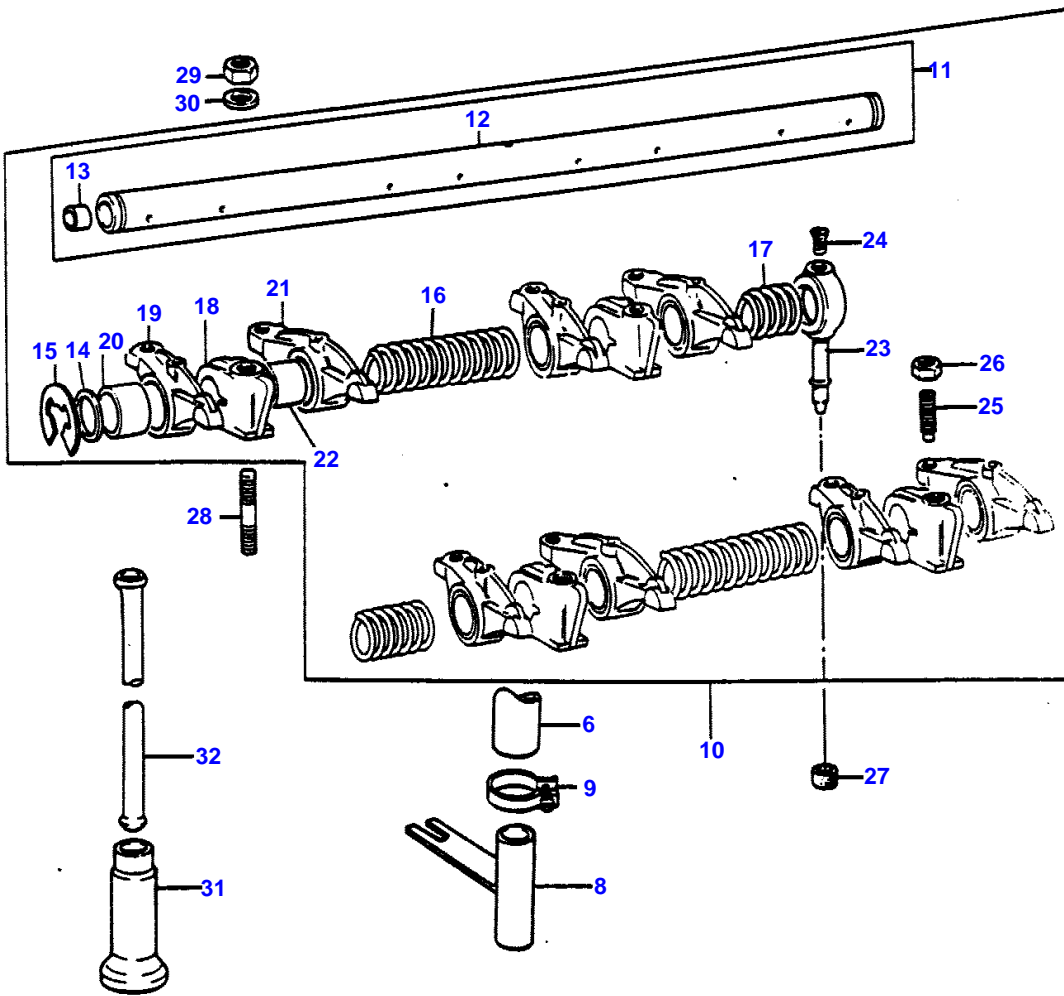
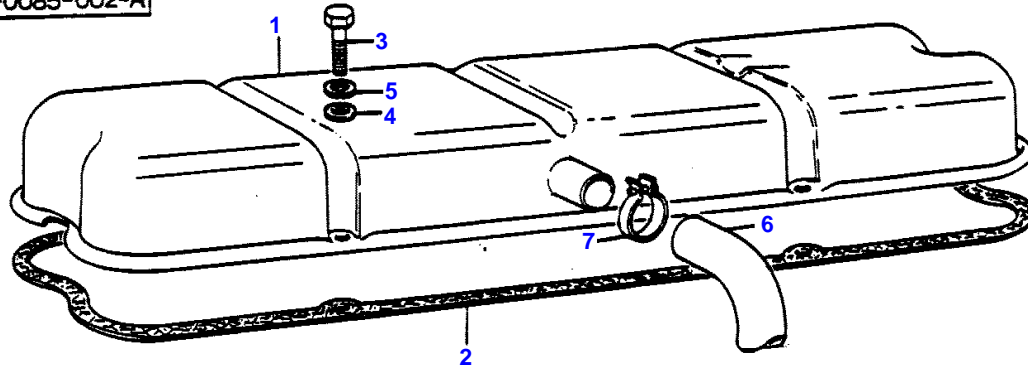
3-0080-002-A



CRANKSHAFT - A4 248 ENGINE

Item	Part Number	Qty	Description	Comments
				A4 248 ENGINE
1	94434	1	Kit, Crankshaft	
2		1	Crankshaft	(1) Not serviced, order REF 1
3	81558	1	Kit, Bearing	(1) (A)
3	81558A	X	Kit, Bearing	(1) (A) Thickness 0.010"
3	81558B	X	Kit, Bearing	(1) (A) Thickness 0.020"
3	81558C	X	Kit, Bearing	(1) (A) Thickness 0.030"
4	85042	1	Kit, Bearing	(1) (A)
4	85042A	X	Kit, Bearing	(1) (A) Thickness 0.010"
4	85042B	X	Kit, Bearing	(1) (A) Thickness 0.020"
4	85042C	X	Kit, Bearing	(1) (A) Thickness 0.030"
5	31137311	2	Washer	(1)
	31137312	X	Thrust Washer	(1) Thickness 0.007"
6	31137321	2	Washer	(1)
	31137322	X	Thrust Washer	(1) Thickness 0.007"
7	84920	4	Conrod	
8		1	Conrod	(7) Not serviced, order 84920
9		1	Cap	(7) Not serviced, order 84920
10	31134123	1	Bush	(7)
11	32762116	2	Bolt	(7)
12	33221321	2	Nut	(7)
13	89207	4	Kit, Piston	(B)
	68318	4	Kit, Piston	(C)
14		1	Piston	(13) Not serviced, order REF 13
15		1	Pin	(13) Not serviced, order REF 13
16	0170002	2	Circlip	(13)
17	41158038	X	Kit, Piston Ring	
18	31171681	1	Gear,Crankshaft	
19	0500012	1	Woodruff Key	
20	33125416	1	Washer	
21	31148711	1	Pulley	
22	32162318	1	Screw	
23	33125124	1	Washer	
24	41117084	1	Flywheel	
25		1	Flywheel	(24) Not serviced, order 41117084
26	0410236	1	Starter Ring	(24)
27	2182122	6	Setscrew	
28	0921062	3	Tab Washer	
				(A) PRE-FINISHED
				(B) PRE-TOPPED
				(C) UNTOPPED

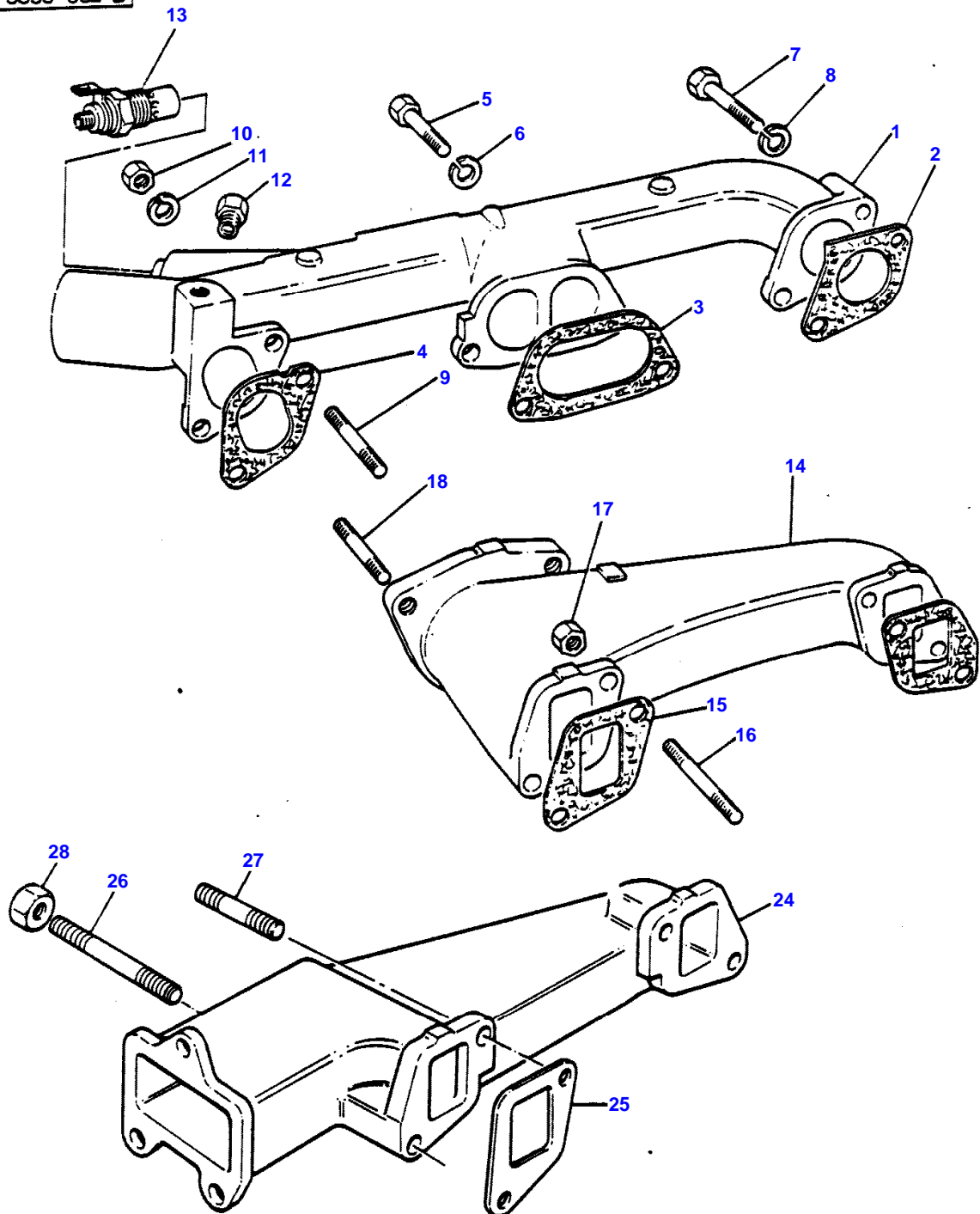
3-0085-002-A



MASSEY FERGUSON**MF 290 TRACTOR, ->| 387020 (GB) - 819672****819672****CYLINDER HEAD COVER - A4,248 ENGINE****12**

Item	Part Number	Qty	Description	Comments
				A4,248 ENGINE
1	37188549	1	Cyl.Head Cover	
2	36811131	1	Joint	
3	2172513	4	Screw	
4	0920002	4	Washer	
5	0920052	4	Washer	
6	33872516	1	Pipe,Breather	
7	0180063	1	Clip	
8	35731144	1	Pipe,Breather	
9	0180063	1	Clip	
10	88677	1	Rocker Shaft	
11	83449	1	Rocker Shaft	(10)
12		1	Shaft	(11)
				Not serviced, order 83449
13	0650507	2	Plug	(11)
14	33117415	2	Washer	(10)
15	0170151	2	Circlip	(10)
16	31744123	2	Spring	(10)
17	31743108	2	Spring	(10)
18	37521331	4	Bracket	(10)
19	41151421	4	Lever	(10)
20	2511425	1	Bush	(19)
21	41151419	4	Lever	(10)
22	2511425	1	Bush	(21)
23	35511111	1	Pipe	(10)
24	0726504	1	Setscrew	(10)
25	0720579	8	Screw	(10)
26	0576052	8	Nut	(10)
27	33811113	1	Olive	
28	0826628	4	Stud	
29	2211284	4	Nut	
30	0920006	4	Washer	
31	31434163	8	Tappet	
32	31434307	8	Pushrod	

3-0305-002-B



MASSEY FERGUSON**MF 290 TRACTOR, ->| 387020 (GB) - 819672****819672****AIR INDUCTION AND EXHAUST SYSTEM - A4.248 ENGINE****14**

Item	Part Number	Qty	Description	Comments
.				A4.248 ENGINE
1	37787654	1	Induct.Manifold	
2	36862131	1	Joint	
3	36862133	1	Joint	
4	36866462	1	Joint	
5	0746424	4	Bolt	
6	0920054	4	Washer	
7	0096439	1	Bolt	
8	0920054	1	Washer	
9	0826481	1	Stud	
10	0576051	1	Nut	
11	0920054	1	Washer	
12	0650204	1	Plug	
13	2666108	1	Intake Heater	
14	37781781	1	Exhaust Manifold	
15	36862159	2	Joint	
16	0826439	4	Stud	
17	2188135	4	Nut	
18	0826404	3	Stud	
24	37781051	1	Exhaust Manifold	
25	36862159	2	Joint	
26	0826526	1	Stud	
27	0826403	3	Stud	
28	2188135	4	Nut	

Buy Now



Our support email:

ebooklibonline@outlook.com