

Page Title	Page Number
ENGINE INSTALLATION	1
CYLINDER BLOCK - AD3.152 ENGINE	2
CRANKSHAFT, PISTONS AND CONNECTING RODS - AD3.152 ENGINE	3
CYLINDER HEAD - AD3.152 ENGINE	4
ROCKER SHAFT - AD3.152 ENGINE	5
TIMING GEAR AND CAMSHAFT - AD3.152 ENGINE	6
FUEL INJECTION EQUIPMENT (DIESEL) - AD3.152 ENGINE	7
FUEL OIL LIFT PUMP - AD3.152 ENGINE	8
LUBRICATING OIL SUMP - AD3.152 ENGINE	9
LUBRICATING OIL FILTER AND INTEGRAL COOLER - AD3.152 ENGINE	10
WATER PUMP, THERMOSTAT AND HEAT EXCHANGER - AD3.152 ENGINE	11
AIR INDUCTION AND EXHAUST SYSTEM - AD3.152 ENGINE	12
ALTERNATOR POSITIONER - AD3.152 ENGINE	13
JOINTS AND GASKETS - AD3.152 ENGINE	14
ELECTRICAL EQUIPMENT	15
ELECTRICAL EQUIPMENT - ERGONOMIC PEDALS	16
STARTER-LUCAS	17
STARTER-LUCAS	18
STARTER-LUCAS	19
ALTERNATOR-LUCAS	20
ALTERNATOR-LUCAS	21
ALTERNATOR-VALEO	22
BATTERY	23
BATTERY - TRACTORS WITH CAB	24
BATTERY - ERGONOMIC PEDALS	25
COOLING SYSTEM	26
FUEL TANK AND ATTACHMENTS	27
FUEL TANK AND ATTACHMENTS - ERGONOMIC PEDALS	28
FUEL FILTERS AND PIPES	29
FUEL FILTERS AND PIPES - ERGONOMIC PEDALS	30
FUEL FILTER	31
FUEL FILTER	32
FUEL FILTER	33
AIR FILTER	34
AIR FILTER	35
AIR FILTER	36
AIR FILTER-DRY - DUAL ELEMENT - FORWARD AIR INTAKE	37
AIR FILTER-DRY - DUAL ELEMENT - ERGONOMIC PEDALS	38
AIR FILTER-OIL BATH AIR FILTER	39
AIR FILTER-OIL BATH AIR FILTER	40
MUFFLER VERTICAL	41
MUFFLER VERTICAL - AUSTRALIA ONLY	42
MUFFLER HORIZONTAL	43
MUFFLER HORIZONTAL - ERGONOMIC PEDALS	44
THROTTLE CONTROLS	45
THROTTLE CONTROLS	46
THROTTLE CONTROLS - ERGONOMIC PEDALS	47
FUEL CUT OFF - SANKEY CAB	48
THROTTLE CONTROLS-SANKEY CAB	49
INSTRUMENTS - UP TO SERIAL NUMBER 529744	50
INSTRUMENTS - FROM SERIAL NUMBER 529744	51
INSTRUMENTS - ERGONOMIC PEDALS	52
INSTRUMENTS - NORTH AMERICA	53

SHEET METAL-PANEL WIRING - UP TO SERIAL NUMBER 529744	54
SHEET METAL-PANEL WIRING - FROM SERIAL NUMBER 529744	55
SINGLE CLUTCH	56
DUAL CLUTCH	57
SPLIT TORQUE CLUTCH	58
CLUTCH PEDAL AND LINKAGE - TRACTORS LESS CAB	59
CLUTCH PEDAL AND LINKAGE - ERGONOMIC PEDALS	60
CLUTCH PEDAL AND LINKAGE-SANKEY CAB	61
6 SPEED CONSTANT MESH TRANSMISSION-HOUSING	62
6 SPEED CONSTANT MESH TRANSMISSION-FORK AND GEARSHIFT RAILS	63
6 SPEED CONSTANT MESH TRANSMISSION-MAINSHAFT	64
6 SPEED CONSTANT MESH TRANSMISSION-COUNTERSHAFT	65
8 SPEED CONSTANT MESH TRANSMISSION-HOUSING - UP TO SERIAL NUMBER	66
8 SPEED CONSTANT MESH TRANSMISSION-FORK AND GEAR SHIFTRAIL - UP TO SERIAL NUMBER	67
8 SPEED CONSTANT MESH TRANSMISSION-MAIN SHAFT - UP TO SERIAL NUMBER	68
8 SPEED CONSTANT MESH TRANSMISSION-COUNTERSHAFT - UP TO SERIAL NUMBER	69
8 SPEED CONSTANT MESH TRANSMISSION-HOUSING - FROM SERIAL NO.	70
8 SPEED CONSTANT MESH TRANSMISSION-FORK AND GEAR SHIFTRAIL - FROM SERIAL NO.	71
8 SPEED CONSTANT MESH TRANSMISSION-MAIN SHAFT - FROM SERIAL NO.	72
8 SPEED CONSTANT MESH TRANSMISSION-COUNTERSHAFT - FROM SERIAL NO.	73
MULTIPOWER CONSTANTMESH TRANSMISSION-HOUSING	74
MULTIPOWER CONSTANTMESH TRANSMISSION-FORK AND GEAR SHIFTRAIL	75
MULTIPOWER CONSTANTMESH TRANSMISSION-INPUTSHAFT	76
MULTIPOWER CONSTANTMESH TRANSMISSION-MAIN SHAFT	77
MULTIPOWER CONSTANTMESH TRANSMISSION-COUNTERSHAFT	78
MULTIPOWER CONSTANTMESH TRANSMISSION-OIL FLOW	79
8 SPEED SYNCHROMESH ZF TRANSMISSION-HOUSING - UP TO SERIAL NUMBER	80
8 SPEED SYNCHROMESH ZF TRANSMISSION-HOUSING - FROM SERIAL NO.	81
8 SPEED SYNCHROMESH ZF TRANSMISSION-FORK AND GEARSHIFT RAIL - UP TO SERIAL NUMBER	82
8 SPEED SYNCHROMESH ZF TRANSMISSION-MAIN SHAFT	83
8 SPEED SYNCHROMESH ZF TRANSMISSION-COUNTER SHAFT	84
8 SPEED SYNCHROMESH ZF TRANSMISSION-SYNCHROMESH	85
EPICYCLIC UNIT	86
TRANSMISSION-TRANSMISSION OIL PIPE	87
TRANSMISSION-TRANSMISSION OIL PIPE	88
MULTI POWER TRANSMISSION-SHIFT CONTROL	89
PTO-DRIVE MECHANISM-SINGLE SPEED	90
IPTO-CLUTCH AND VALVES	91
PTO-CONTROL	92
PTO-CONTROL - I.P.T.O. SAFETY LEVER	93
P.T.O. CONTROL-SANKEY CAB	94
PTO-COVER ASSEMBLY	95
REAR AXLE-SPACER	96
REAR AXLE CENTRE HOUSING	97
REAR AXLE-DIFFERENTIAL - 11 X 38	98
REAR AXLE-DIFFERENTIAL - 6 X 37	99
REAR AXLE-DIFFERENTIAL LOCK MECHANISM - 11 X 38	100
REAR AXLE-DIFFERENTIAL LOCK MECHANISM - TRACTORS WITH SINGLE DRUM BRAKES	101
REAR AXLE- DIFFERENTIAL LOCK PEDAL - CLASSIC PEDALS - 2 WHEEL DRIVE TRACTORS	102
REAR AXLE- DIFFERENTIAL LOCK PEDAL - ERGONOMIC PEDALS - DRUM BRAKES	103

TABLE OF CONTENT

REAR AXLE- DIFFERENTIAL LOCK PEDAL - FOR'3A'AND JAPANESE MARKETS ONLY	104
REAR AXLE- DIFFERENTIAL LOCK PEDAL - TRACTORS WITH SANKEY CAB ONLY	105
REAR AXLE-HOUSING - TRACTORS WITH SINGLE DRUM BRAKES	106
REAR AXLE-HOUSING - TRACTORS WITH WET BRAKES	107
DRUM BRAKES	108
WET BRAKES	109
BRAKE PEDALS AND LINKAGE	110
BRAKE PEDALS AND LINKAGE - TRACTORS LESS CAB	111
BRAKE PEDALS AND LINKAGE - ERGONOMIC PEDALS - 2 WHEEL DRIVE TRACTORS	112
BRAKE PEDALS AND LINKAGE - ERGONOMIC PEDALS	113
BRAKE PEDALS AND LINKAGE-SANKEY CAB - TWO WHEEL DRIVE	114
BRAKE PEDALS AND LINKAGE-SANKEY CAB - FOUR WHEEL DRIVE	115
HANDBRAKE	116
HANDBRAKE - TRACTORS LESS CAB	117
HANDBRAKE	118
CENTRE HOUSING SERVICE KIT - TRACTORS LESS CAB	119
REAR WHEELS	120
REAR WHEELS	121
REAR WHEELS - SQUARE DISC	122
REAR WHEELS - PAVT WHEELS	123
REAR AXLE-ATTACHMENTS	124
REAR AXLE-ATTACHMENTS - FOR ISRAEL AND SWITZERLAND ONLY	125
REAR AXLE-ATTACHMENTS	126
REAR AXLE-ATTACHMENTS - SANKEY CAB - NORWAY ONLY	127
REAR AXLE-ATTACHMENTS	128
FRONT WHEELS	129
AXLE SUPPORT	130
AXLE SUPPORT - HYDROSTATIC STEERING	131
FRONT AXLE - MANUAL STEERING	132
FRONT AXLE - POWER ASSISTED STEERING	133
FRONT AXLE - HYDROSTATIC STEERING	134
STEERING WHEEL - MANUAL STEERING - BURMAN	135
STEERING WHEEL - POWER ASSISTED STEERING	136
STEERING WHEEL - HYDROSTATIC STEERING	137
STEERING WHEEL - MANUAL STEERING - RANE	138
STEERING GEAR	139
STEERING GEAR - MANUAL STEERING - RANE	140
STEERING GEAR	141
STEERING GEAR - ERGONOMIC PEDALS	142
STEERING LINKAGE - MANUAL STEERING	143
STEERING LINKAGE - HYDROSTATIC STEERING	144
STEERING LINKAGE - POWER ASSISTED STEERING	145
STEERING HYDRAULIC LINES - POWER ASSISTED STEERING	146
STEERING HYDRAULIC LINES - HYDROSTATIC STEERING	147
STEERING HYDRAULIC LINES - HYDROSTATIC STEERING WITH ERGONOMIC PEDALS 2 WHEEL DRIVE	148
STEERING PUMP - BARNES	149
STEERING PUMP	150
STEERING PUMP - HYDROSTATIC STEERING	151
POWER STEERING VALVE - POWER ASSISTED STEERING	152
STEERING UNIT-ORBITROL DANFOSS - HYDROSTATIC STEERING	153
STEERING CYLINDER - POWER ASSISTED STEERING	154
STEERING CYLINDER	155
STEERING CYLINDER - HYDROSTATIC STEERING	156

TABLE OF CONTENT

STEERING CYLINDER - HYDROSTATIC STEERING	150
STEERING CYLINDER-4 WHEEL DRIVE - LANDINI	157
AXLE SUPPORT - SCHINDLER	158
FRONT AXLE-HOUSING - SCHINDLER	159
FRONT AXLE-DIFFERENTIAL-4 WHEEL DRIVE - SCHINDLER	160
FRONT AXLE FINAL DRIVE-4 WHEEL DRIVE - SCHINDLER	161
SIDE DRIVE GEARBOX-INSTALLATION	162
STEERING LINKAGE-4 WHEEL DRIVE - POWER ASSISTED STEERING	163
4 WHEEL DRIVE CONTROLS - TRACTORS WITH SANKEY CAB ONLY	164
HYDRAULIC LIFT PUMP - TRACTORS WITH DIRECT ACTING SAFETY VALVE	165
HYDRAULIC LIFT PUMP - UP TO 26-08-91	166
HYDRAULIC PUMP-STRAINER UNIT - UP TO 26-08-91	167
HYDRAULIC LIFT PUMP - WITHOUT SAFETY VALVE BLOCK	168
HYDRAULIC PUMP-STRAINER UNIT - WITHOUT SAFETY VALVE BLOCK	169
HYDRAULIC PUMP-PRESSURE CONTROL VALVE	170
HYDRAULIC PUMP-MULTIPOWER	171
HYDRAULIC PUMP-AUXILIARY	172
HYDRAULIC PUMP-GEAR TRAIN	173
HYDRAULICS,PUMP CONTROL-MK3A	174
SELECTOR VALVE-MK3A HYDRAULICS	175
SIDE COVER-MK3A HYDRAULICS	176
SIDE COVER-MK3A HYDRAULICS - SANKEY CAB	177
OIL COOLER AND FILTER - LESS OIL COOLER AND FILTER	178
OIL FILTER - FOR USE WITH NORMAL DUTY CENTRE HOUSING	179
OIL FILTER - TRACTORS WITH I.P.T.O.	180
OIL COOLER	181
PRESSURE REGULATOR VALVE	182
SINGLE SPOOL VALVE - SINGLE SPOOL-AUXILIARY FLOW	183
SINGLE SPOOL VALVE - WITH TRAILER TIPPING	184
DUAL SPOOL VALVE-INSTALLATION - LINKAGE FLOW	185
DUAL SPOOL VALVE-INSTALLATION - AUXILIARY FLOW	186
SPOOL VALVES - KONTAK	187
DECALS - SPOOL VALVES	188
HYDRAULIC LIFT COVER	189
LIFT ARMS	190
DRAFT AND POSITION CONTROLS	191
RESPONSE CONTROLS	192
RESPONSE CONTROLS-SANKEY CAB	193
TOP LINKS-CAT 1 AND 2	194
LOWER LINKS-CAT 1 AND 2	195
SHEET METAL	196
SHEET METAL - ERGONOMIC PEDALS	197
GUARDS PTO AND ALTERNATOR	198
GUARDS PTO AND ALTERNATOR - FOR '3A' MARKET ONLY	199
GUARDS PTO AND ALTERNATOR	200
CIGAR LIGHTER - BLANKING PLUG	201
TOOL BOX	202
EMBLEMS	203
EMBLEMS	204
SPEED CHARTS	205
SPEED CHARTS	206
LITERATURE	207
SHEET METAL-FLAT TOP FENDERS	208
SHEET METAL-FLAT TOP FENDERS	209
SHEET METAL-FLAT TOP FENDERS	210

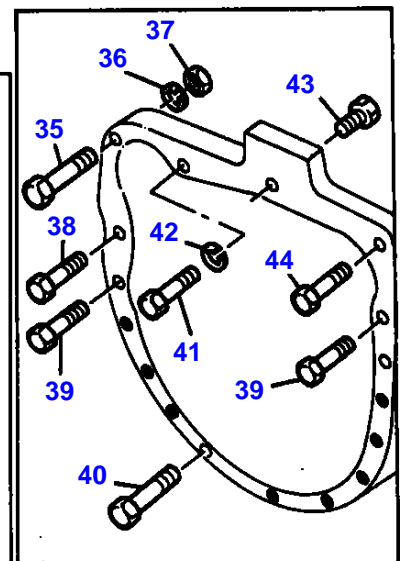
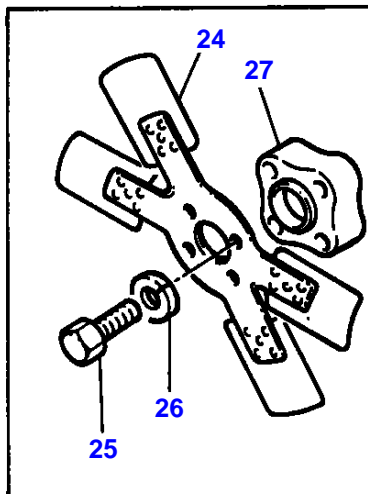
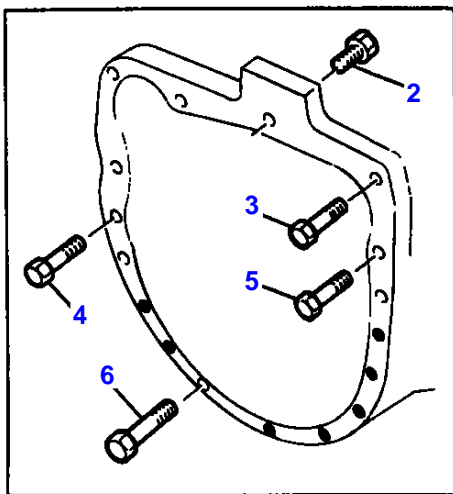
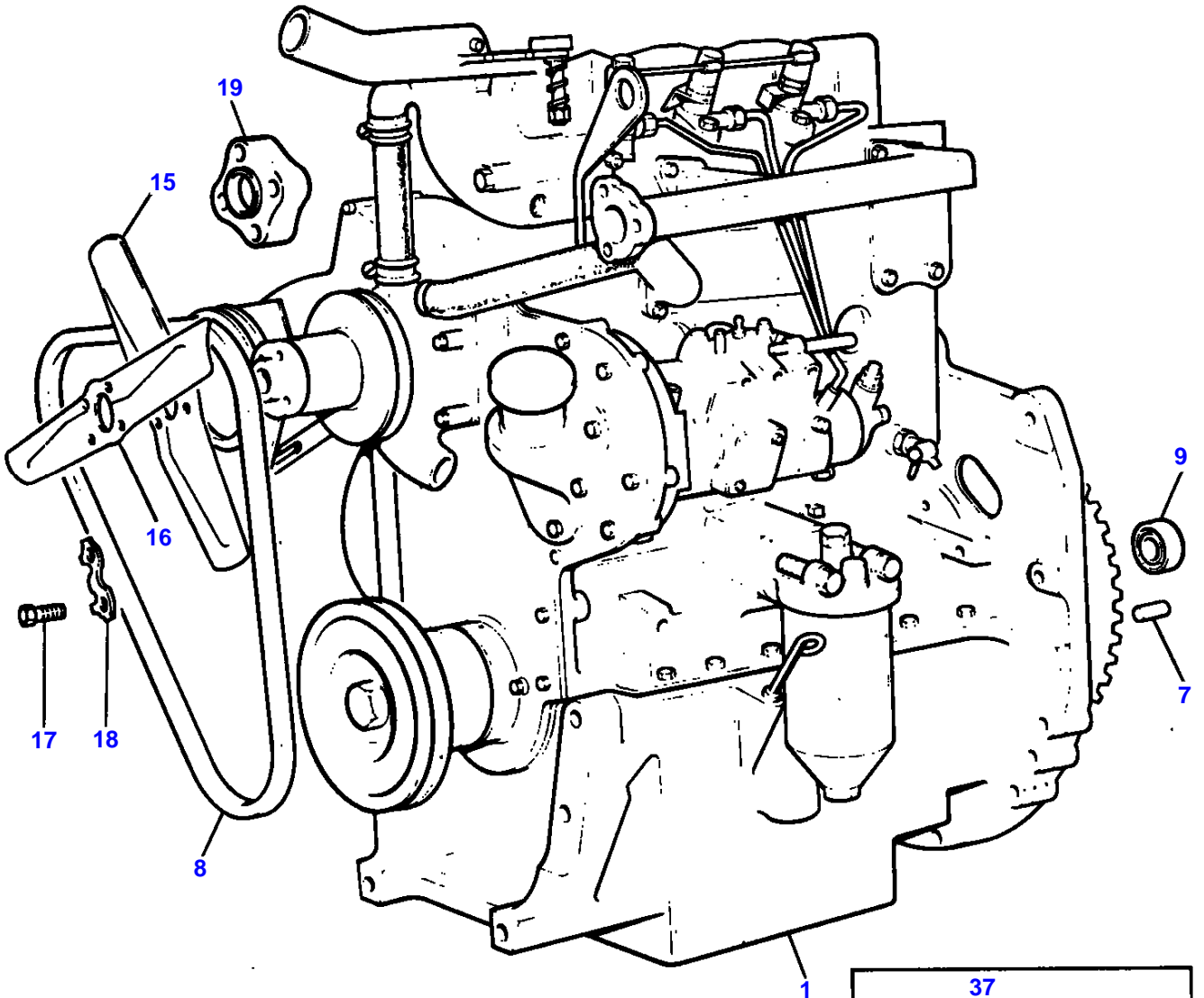
TABLE OF CONTENT

SHEET METAL-FLAT TOP FENDERS	211
SHEET METAL-FLAT TOP FENDERS - ERGONOMIC PEDALS - WITH PEKO SAFETY FRAME	212
SHEET METAL-SAFETY FENDERS	213
SHEET METAL-SAFETY FENDERS	214
SHEET METAL-SAFETY FENDERS	215
SHEET METAL-SAFETY FENDERS - ERGONOMIC PEDALS	216
FOOTSTEP	217
FOOTSTEP - CLASSIC PEDALS	218
FOOTSTEP	219
FOOTSTEP - ERGONOMIC PEDALS	220
TRACTOR CAB-CAB MOUNTINGS AND STEP / STAIRS	221
TRACTOR CAB - SANKEY	222
SAFETY FRAME - ITALY AND FRANCE ONLY	223
SAFETY FRAME - ROOF	224
SAFETY FRAME - NORTH AMERICA ONLY	225
SAFETY FRAME - TWO POST	226
TRACTOR CAB-KIT-'D' PLATE - FRANCE ONLY	227
TOP LINKS-STOWAGE HOOK - SANKEY CAB	228
SEAT-DE LUXE	229
SEAT-DE LUXE - UP TO 13-04-92	230
SEAT-DE LUXE - FROM 13-04-92	231
SEAT-GRAMMER - UP TO SERIAL NO. A21001	232
SEAT-GRAMMER - SANKEY CAB	233
SEAT BELT	234
FRONT LIGHTING EQUIPMENT	235
KIT - DIPPED-MAIN BEAM SWITCH	236
MAIN WIRING HARNESS-REAR - UP TO SERIAL NO. S15298	237
MAIN WIRING HARNESS-REAR - FROM SERIAL NO. S15298	238
MAIN WIRING HARNESS-REAR - FOR ISRAEL ONLY	239
REAR LIGHTING EQUIPMENT-FLAT TOP FENDERS - U.K TYPE FENDERS	240
REAR LIGHTING EQUIPMENT-FLAT TOP FENDERS - FRENCHTYPE FENDERS	241
REAR LIGHTING EQUIPMENT-FLAT TOP FENDERS - FROM SERIAL NO. S15298	242
REAR LIGHTING EQUIPMENT-SAFETY FENDERS - UP TO SERIAL NUMBER 529176	243
REAR LIGHTING EQUIPMENT-SAFETY FENDERS - FROM SERIAL NUMBER 529176	244
REAR LIGHTING EQUIPMENT-SAFETY FENDERS - NORTH AMERICA	245
REAR LIGHTING EQUIPMENT-SAFETY FENDERS - FOR ISRAEL ONLY	246
WORK LIGHT	247
WORK LIGHT	248
AUTOMATIC HITCH	249
AUTOMATIC HITCH WITH DRAWBAR FRAME - CODE 557 904	250
AUTOMATIC HITCH-Y-L-O	251
SWINGING DRAWBAR - CODE 557 905 - NORMAL DUTY	252
SWINGING DRAWBAR	253
SWINGING DRAWBAR	254
SWINGING DRAWBAR	255
DRAWBAR	256
SWINGING DRAWBAR-Y-L-O	257
HITCH-LEMOINE	258
CHAIN STABILISER KIT	259
CHAIN STABILISER KIT	260
CHAIN STABILISER KIT	261
Y-L-O STABILISERS	262
TOP LINKS-STOWAGE HOOK	263

TABLE OF CONTENT

PRESSURE CONTROL COUPLER - CODE 557 908 - NORMAL DUTY	264
PTO PULLEY	265
P.T.O PULLEY GUARD	266
OIL PIPE KIT-SELECTOR VALVE	267
OIL PIPE KIT-HYDRAULIC LIFT COVER - CODE 557 878	268
OIL PIPE KIT-HYDRAULIC LIFT COVER	269
OIL PIPE KIT - TRAILER TIPPING - L.P.Q. SANKEY CAB - MK111A -QU ICK ATTACH COUPLER	270
SINGLE SPOOL VALVE	271
SINGLE SPOOL VALVE - CODE 557 750	272
DUAL SPOOL VALVE	273
DUAL SPOOL VALVE - CODE 557 751	274
SPOOL VALVE SLICE CONVERSION KIT - CODE 557 752	275
SPOOL VALVE SLICE CONVERSION KIT WITHOUT SPOOL VALVES-SANKEY CAB	277
STUD KIT	278
STUD KIT - CODE 557 787	279
DETENT KIT	280
HOSE KIT-LINKAGE FLOW MK 111 A VALVE	281
SUPPLY HOSE KIT - CODE 557 756	282
SUPPLY HOSE KIT-COMBINE FLOW	283
OUTLET HOSE KIT-SINGLE SPOOL - CODE 557 758	284
OUTLET HOSE KIT-SINGLE SPOOL	285
OUTLET HOSE KIT-DOUBLE SPOOL - CODE 557 759	286
OUTLET HOSE KIT-DOUBLE SPOOL	287
OUTLET HOSE KIT-SINGLE SPOOL	288
HOSE KIT-AUXILIARY FLOW	289
CONNECTOR ASSEMBLY KIT	290
SUPPORT KIT	291
BRACKET AND FITTINGS KIT - CODE 557 753	292
BRACKET AND FITTINGS KIT	293
BOLT KIT	294
LEVER KIT	295
DECALS - SPOOL VALVES	296
WEIGHTS-FRONT WHEELS - CODE 557 812 - 16 AND 18 WHEELS	297
WEIGHTS-FRONT WHEELS - CODE 557 813 - 19 WHEELS	298
WEIGHTS-REAR WHEELS - CODE 557 815 - SECOND SET	299
WEIGHTS-REAR WHEELS - CODE 557 816 - 28 WHEELS	300
WEIGHTS-REAR WHEELS - 28 & 30 WHEELS	301
WEIGHTS-REAR WHEELS	302
WEIGHT FRAME AND TOW PIN	303
WEIGHTS - 27KG. FRONT WEIGHTS	304
MOUNTING PLATE-NUMBER PLATE AND LIGHTS	305
SLOW MOVING VEHICLE SIGN	306
SUN CANOPY KIT	307
TOOLS	308

3-0115-022-C



ENGINE INSTALLATION

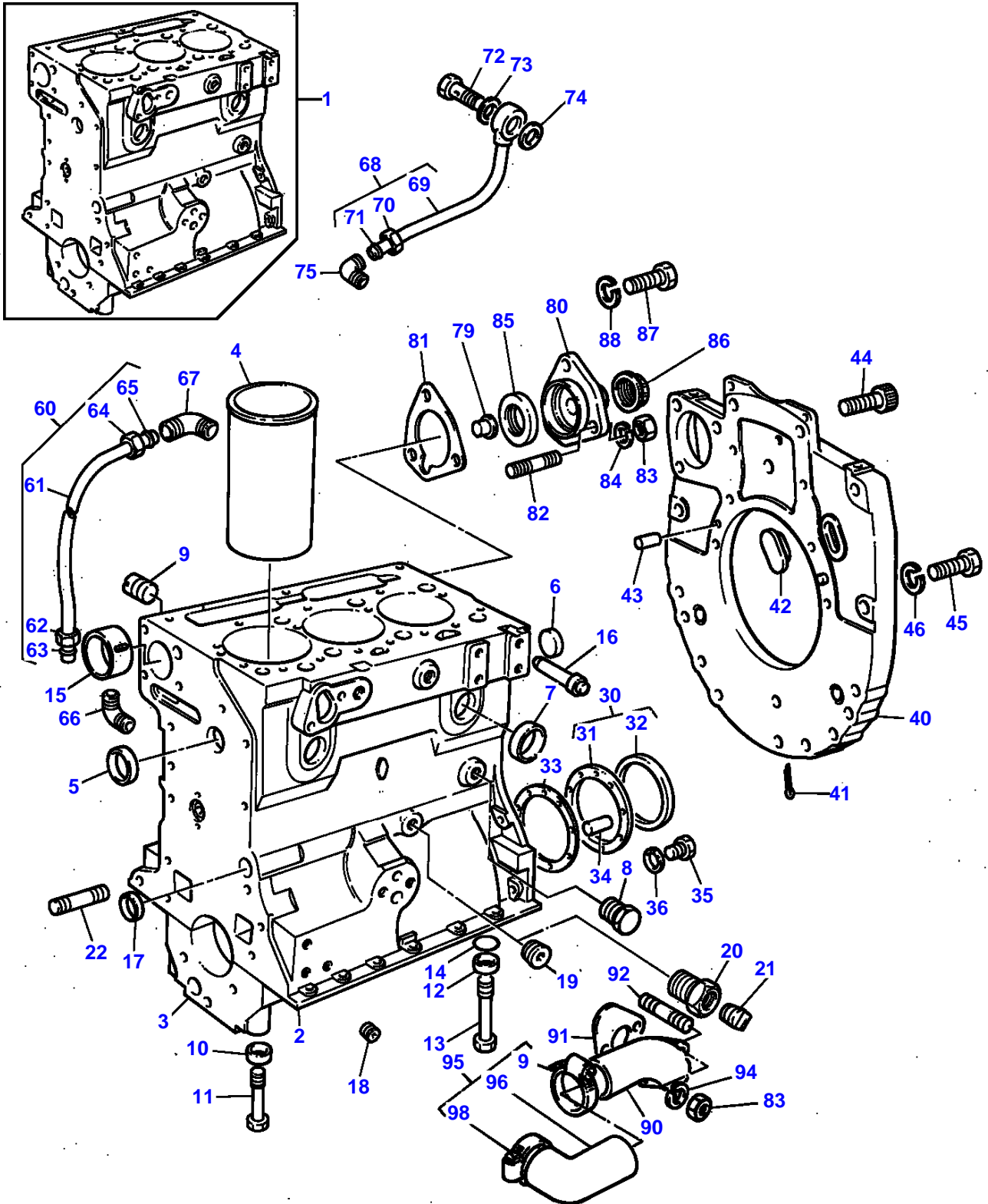
Item	Part Number	Qty	Description	Comments
1	1872139M91	1	Engine	PEL - 22488 Up to Serial or Engine Number 564971.
1	1688552M91	1	Engine	(A) PEL NO.CE31166 From Serial or Engine Number U27001.
1	1688996M91	1	Engine	(A) PEL NO.CE31215
1	3697166M91	1	Engine	(C,A) PEL - CE31244
2	353701X1	1	Screw Unc	7/16"-14 X 35
3	353707X1	1	Screw Unc	7/16"-14 X 54
4	353707X1	1	Screw Unc	7/16"-14 X 54
5	353707X1	1	Screw Unc	7/16"-14 X 54
6	353711X1	8	Bolt Unc	7/16"-14X67/28
7	825302M1	2	Dowel	
8	1687531M1	1	V Belt	13X11
	1688988M1	1	Belt	13X8
9	828123M2	1	Bearing Assy	
15	1884738M1	1	Fan	
16	1884777M1	1	Fan	
17	353518X1	4	Screw Unf	5/16"-24 X 22
	378805X1	4	Bolt Unf	5/16"-24X70/25
18	885476M2	2	Tab Washer	
19	736679M1	2	Extension	
24	1674971M91	1	Fan	For France only or any text in French only
	1674971M91	1	Fan	(B)
25	378810X1	4	Bolt Unf	5/16"-24X18/15
	378805X1	4	Bolt Unf	(B) 5/16"-24X70/25
26	353446X1	4	Lock Washer	
27	736679M1	2	Extension	(B) For France only or any text in French only
35	3019857X1	1	Bolt Metric	(A) M12 X 90/30
36	339369X1	1	Lock Washer	(A)
37	3019862X1	1	Nut Metric	(A) M12
38	3019855X1	1	Bolt Metric	(A) M12 X 70/30
39	3019852X1	2	Bolt Metric	(A) M12 X 55/30
40	3019855X1	8	Bolt Metric	(A) M12 X 70/30
41	3009794X1	1	Bolt Metric	(A) M12 X 70/30
42	339369X1	1	Lock Washer	(A)
43	3019858X1	1	Bolt Metric	(A) M12 X 35/30
44	3019852X1	1	Bolt Metric	(A) M12 X 55/30

(A)
WITH METRIC BOLTING ARRANGEMENT

(B)
WITH HYDROSTATIC STEERING

(C)
ERGONOMIC PEDALS TRACTOR

C-0560-20M-B



MASSEY FERGUSON

MF 240 TRACTOR, |-> 522354 ->| A20286 (GB) - 819701

819701

CYLINDER BLOCK - AD3.152 ENGINE

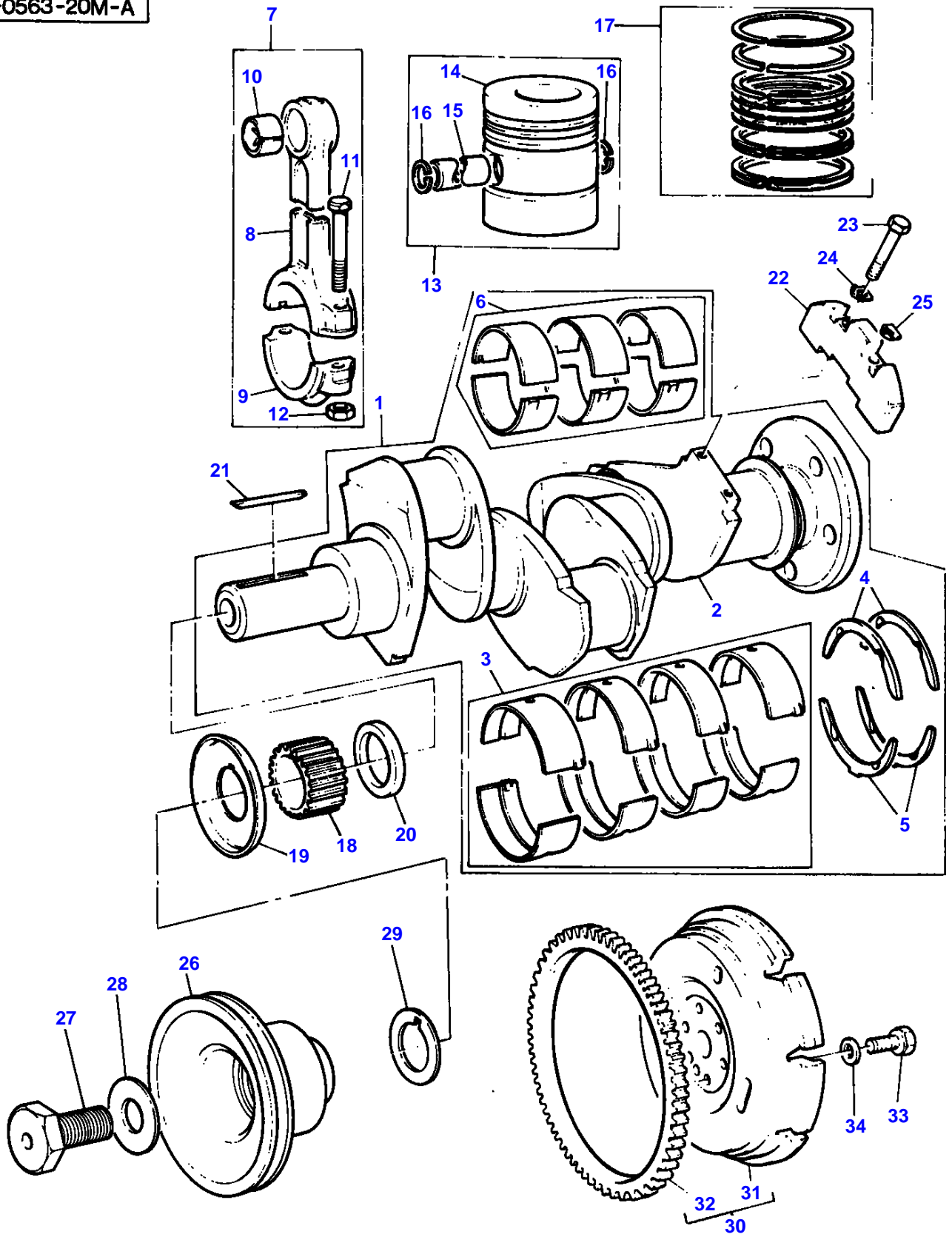
2

Item	Part Number	Qty	Description	Comments
				AD3.152 ENGINE
1	3637484M91	1	Cylinder Block	
2		1	Cylinder Block	(1)
3		4	Bearing Cap	Not serviced, order REF.1 (1)
4	734179M1	3	Liner	Not serviced, order REF.1 (1) (A)
4	739043M1	X	Liner	(B)
	745243M1	X	Liner	(B) Thickness (+)0.25MM Thickness (+)0.010"
4	3637494M1	X	Liner	(B) Thickness (+)0.76MM Thickness (+)0.030"
5	731354M1	1	Plug	(1)
6	731355M1	1	Plug	(1)
7	731354M1	4	Plug	(1)
8	3637016M1	1	Plug	(1)
9	748040M1	1	Plug	(1)
10	745241M1	6	Thimble	(1)
11	1476051X1	6	Screw	(1)
12	745241M1	2	Thimble	(1)
13	1476049X1	2	Screw	(1)
14	1447053M1	2	O Ring	(1)
15	740458M1	1	Bush	(1)
16	1476282X1	1	Plug	(1)
17	731356M1	2	Plug	(1)
18	3638111M1	2	Plug	(1)
19	3638540M1	1	Plug	(1) (C)
20	3638541M1	1	Adaptor	(D)
21	731996M1	1	Plug	(E)
22	3638119M1	1	Stud	
30	747383M91	1	Housing	
31		1	Housing	(30) Not serviced, order REF.30
32	1447691M1	1	Seal	(30)
33	741378M1	1	Joint	
34	731312M1	2	Dowel	
35	353518X1	9	Screw Unf	5/16"-24 X 22
36	375703X1	9	Washer	
40	741401M1	1	Plate	(F)
	3637495M1	1	Plate	(G)
41	376955X1	1	Pin	
42	732902M1	1	Plug	
43	731344M1	2	Dowel	
44	358005X1	2	Screw	
45	353538X1	6	Screw Unf	3/8"-24 X 25
46	1650486M1	6	Washer	
60	744621M91	1	Pipe	
61		1	Pipe	(60) Not serviced, order REF.60
62	3638534M1	1	Nut	(60)
63	827276M1	1	Olive	(60)
64	3638534M1	1	Nut	(60)
65	827276M1	1	Olive	(60)
66	731250M1	1	Connection	
67	731250M1	1	Connection	
68	3638145M91	1	Pipe	
69		1	Pipe	(68) Not serviced, order REF.68
70	3638534M1	1	Nut	(68)
71	827276M1	1	Olive	(68)
72	731294M1	1	Bolt	
73	375731X1	1	Washer	
74	375731X1	1	Washer	

CYLINDER BLOCK - AD3.152 ENGINE

Item	Part Number	Qty	Description	Comments
75	731250M1	1	Connection	
79	735889M1	1	Connection	(F)
80	731208M1	1	Housing	(F)
80	745392M1	1	Plate	(G)
81	731209M1	1	Joint	
82	731647M1	3	Stud	(F)
83	353916X1	3	Nut Unf	(F) 5/16"-24
84	1650484M1	3	Washer	(F)
85	636762M1	1	Seal	(F)
86	736091M1	1	Cap Nut	(F)
87	1476319X1	3	Screw	(G)
88	1650484M1	3	Washer	(G)
90	3637497M1	1	Connection	
91	731210M1	1	Joint	
92	1476324X1	2	Stud	Repairs and replaces 731651M1
93	353916X1	2	Nut Unf	5/16"-24
94	1650484M1	2	Washer	
95	747939M91	1	Kit, Hose	
96		1	Hose	(95) Not serviced, order REF.95
97	3638597M1	1	Clip	(95) Repairs and replaces 364125X1
98	3638597M1	1	Clip	(95) Repairs and replaces 364125X1
				(A) PRESS FIT
				(B) SLIP FIT
				(C) REMOVE AND FIT 731996M1
				(D) USED ONLY WITH EARLIER CYLINDER BLOCKS WITH OIL PRESSURE RAIL DRILLED AND TAPPED 1/4 - 18
				(E) FITTED IN PLACE OF OIL PRESSURE RAIL PLUG SUPPLIED WITH CYLINDER BLOCK ASSEMBLY
				(F) FOR ENGINES BUILT TO BUILD LIST CE22488,CE31166 AND CE31215
				(G) FOR ENGINES BUILT TO BUILD LIST CE31244

C-0563-20M-A



Item	Part Number	Qty	Description	Comments
				AD3.152 ENGINE
1	3637399M91	1	Kit, Crankshaft	Repairs and replaces 3637410M91
2		1	Crankshaft	(1) Not serviced, order REF.1
3	746156M91	X	Kit, Bearing	(A)
	746157M91	X	Kit, Bearing	(A) Thickness (-)0.25MM Thickness (-)0.010"
3	746158M91	X	Kit, Bearing	(A) Thickness (-)0.50MM Thickness (-)0.020"
3	746159M91	X	Kit, Bearing	(A) Thickness (-)0.75MM Thickness (-)0.030"
4	735112M1	2	Washer	(1)
	735800M1	X	Washer	Thickness (+)0.19MM Thickness (+)0.0075"
5	735113M1	2	Washer	(1)
	735801M1	X	Washer	Thickness (+)0.19MM Thickness (+)0.0075"
6	737070M91	1	Kit, Bearing	(1) (A)
6	737071M91	X	Kit, Bearing	(A) Thickness (-)0.25MM Thickness (-)0.010"
6	737072M91	X	Kit, Bearing	(A) Thickness (-)0.50MM Thickness (-)0.020"
6	737073M91	X	Kit, Bearing	(A) Thickness (-)0.75MM Thickness (-)0.030"
7	3637392M91	1	Rod	
8		1	Conrod	(7) Not serviced, order REF.7
9		1	Cap	(7) Not serviced, order REF.7
10	740407M1	1	Bearing	(7)
11	375756X1	2	Bolt	(7)
12	1476245X1	2	Nut	(7)
13	743823M91	3	Piston	(B)
	743824M91	3	Piston	(C)
14		1	Piston	(13) Not serviced, order REF.13
15		1	Pin	(13) Not serviced, order REF.13
16	375709X1	2	Ring	(13)
17	745818M91	3	Kit, Piston Ring	
18	735599M1	1	Gear	Number of teeth/spines 25 Repairs and replaces 731228M1
19		1	Washer	(D)
20	731227M1	1	Spacer	
21	731076M1	1	Key	
22	3638565M1	2	Weight	(E)
23	376546X1	4	Screw	
24	733644M1	2	Washer	
25	733645M1	2	Washer	
26	734627M1	1	Pulley	
27	1476107X1	1	Screw	
28	731376M1	1	Washer	
29	745057M1	1	Washer	
30	740681M91	1	Flywheel	
31		1	Flywheel	(30) Not serviced, order REF.30
32	731008M1	1	Annular Gear	(30) Number of teeth/spines 115
33	353595X1	6	Screw Unf	1/2"-20 X 38
34	745365M1	6	Washer	Repairs and replaces 737514M1

Buy Now



Our support email:

ebooklibonline@outlook.com