

| Page Title   | Page Number |
|--|-------------|
| ENGINE INSTALLATION - A4.236 ENGINE                        | 2           |
| CYLINDER BLOCK - A4.236 ENGINE                             | 4           |
| CRANKSHAFT, PISTONS AND CONNECTING RODS - A4.236 ENGINE    | 6           |
| CYLINDER HEAD - A4.236 ENGINE                              | 10          |
| ROCKER SHAFT - A4.236 ENGINE                               | 14          |
| TIMING GEAR AND CAMSHAFT - A4.236 ENGINE                   | 16          |
| BALANCER UNIT - A4.236 ENGINE-UP TO ENGINE NO.U880190K     | 18          |
| BALANCER UNIT - A4.236 ENGINE-FROM ENGINE NO.U880191K.     | 20          |
| BALANCER UNIT - A4.236 ENGINE                              | 24          |
| FUEL INJECTION EQUIPMENT (DIESEL) - A4.236 ENGINE          | 28          |
| FLYWHEEL AND STARTER RING - A4.236 ENGINE                  | 30          |
| LUBRICATING OIL SUMP - A4.236 ENGINE                       | 32          |
| LUBRICATING OIL FILLER AND BREATHER - A4.236 ENGINE        | 36          |
| LUBRICATING OIL FILTER AND INTEGRAL COOLER - A4.236 ENGINE | 38          |
| FRONT END DRIVE INPUT AND OUTPUT - A4.236 ENGINE           | 40          |
| WATER PUMP, THERMOSTAT AND HEAT EXCHANGER - A4.236 ENGINE  | 42          |
| WATER OUTLET AND INLET - A4.236 ENGINE                     | 46          |
| ALTERNATOR POSITIONER - A4.236 ENGINE                      | 48          |
| GEAR DRIVE AUXILIARY DRIVE OPTIONS - A4.236 ENGINE         | 50          |
| INDUCTION MANIFOLD - A4.236 ENGINE                         | 52          |
| EXHAUST MANIFOLD - A4.236 ENGINE                           | 54          |
| LOW PRESSURE FUEL SYSTEM - A4.236 ENGINE                   | 56          |
| COLD START SYSTEM - A4.236 ENGINE                          | 58          |
| ENGINE LIFTING - A4.236 ENGINE                             | 60          |
| JOINTS AND GASKETS-TOP SERVICE KIT - A4.236 ENGINE         | 62          |
| JOINTS AND GASKETS-BOTTOM SERVICE KIT - A4.236 ENGINE      | 64          |
| ELECTRICAL EQUIPMENT                                       | 66          |
| STARTER-LUCAS  | 68          |
| STARTER-PARIS RHONE  | 70          |
| ALTERNATOR-LUCAS   | 72          |
| BATTERY  | 74          |
| BATTERY  | 76          |
| COOLING SYSTEM   | 78          |
| FUEL TANK AND ATTACHMENTS                                  | 80          |
| FUEL FILTERS AND PIPES                                     | 82          |
| AIR FILTER   | 84          |
| AIR FILTER-OIL BATH AIR FILTER                             | 86          |
| MUFFLER VERTICAL   | 88          |
| MUFFLER HORIZONTAL   | 90          |
| THROTTLE CONTROLS  | 92          |
| THROTTLE CONTROLS  | 96          |
| THROTTLE CONTROLS - WITH HYDRAULIC BRAKES                  | 98          |
| INSTRUMENT PANEL AND INSTRUMENTS                           | 100         |
| SHEET METAL-PANEL WIRING                                   | 102         |
| ENGINE PIPE WORK-SANKEY CAB                                | 104         |
| DUAL CLUTCH  | 106         |
| SPLIT TORQUE CLUTCH  | 108         |
| CLUTCH PEDAL AND LINKAGE - WITHOUT SPACER                  | 110         |
| CLUTCH PEDAL AND LINKAGE - WITH SPACER                     | 112         |
| CLUTCH PEDAL AND LINKAGE-SANKEY CAB                        | 114         |
| CLUTCH PEDAL AND LINKAGE - ERGONOMIC                       | 116         |
| 8 SPEED CONSTANT MESH TRANSMISSION-HOUSING                 | 118         |
| 8 SPEED CONSTANT MESH TRANSMISSION-FORK AND GEAR SHIFTRAIL | 120         |

|  |     |
|--|-----|
| 8 SPEED CONSTANT MESH TRANSMISSION-MAIN SHAFT                            | 122 |
| 8 SPEED CONSTANT MESH TRANSMISSION-COUNTERSHAFT                          | 124 |
| 8 SPEED SYNCHROMESH ZF TRANSMISSION-HOUSING                              | 126 |
| 8 SPEED SYNCHROMESH ZF TRANSMISSION-FORK AND GEARSHIFT RAIL              | 128 |
| 8 SPEED SYNCHROMESH ZF TRANSMISSION-MAIN SHAFT                           | 130 |
| 8 SPEED SYNCHROMESH ZF TRANSMISSION-COUNTER SHAFT                        | 132 |
| 8 SPEED SYNCHROMESH ZF TRANSMISSION-SYNCHROMESH                          | 136 |
| EPICYCLIC UNIT   | 138 |
| TRANSMISSION-TRANSMISSION OIL PIPE                                       | 140 |
| MULTIPOWER CONSTANTMESH TRANSMISSION-HOUSING                             | 142 |
| MULTIPOWER CONSTANTMESH TRANSMISSION-FORK AND GEAR SHIFTRAIL             | 144 |
| MULTIPOWER CONSTANTMESH TRANSMISSION-INPUTSHAFT                          | 146 |
| MULTIPOWER CONSTANTMESH TRANSMISSION-MAIN SHAFT                          | 148 |
| MULTIPOWER CONSTANTMESH TRANSMISSION-COUNTERSHAFT                        | 150 |
| HYDRAULIC VALVE  | 152 |
| 12 SPEED SYNCHROMESH ZF TRANSMISSION-HOUSING                             | 154 |
| 12 SPEED SYNCHROMESH ZF TRANSMISSION-FORK AND GEAR SHIFT RAIL            | 158 |
| 12 SPEED SYNCHROMESH ZF TRANSMISSION-INPUT SHAFT                         | 160 |
| 12 SPEED SYNCHROMESH ZF TRANSMISSION-MAIN SHAFT                          | 162 |
| 12 SPEED SYNCHROMESH ZF TRANSMISSION-COUNTER SHAFT                       | 166 |
| EPICYCLIC UNIT   | 170 |
| EPICYCLIC UNIT-HEAVY DUTY  | 172 |
| HYDRAULIC VALVE-FOUR WHEEL DRIVE   | 174 |
| SHIFT LEVER  | 176 |
| SHIFT LEVERS-12 SPEED TRANSMISSION                                       | 180 |
| MULTI POWER TRANSMISSION-SHIFT CONTROL                                   | 182 |
| MULTIPOWER TRANSMISSION-OIL FLOW   | 184 |
| PTO-DRIVE MECHANISM-SINGLE SPEED   | 186 |
| PTO-DRIVE MECHANISM-TWO SPEED  | 188 |
| PTO-COVER ASSEMBLY   | 190 |
| IPTO-PIPES AND COVER-WITH AUXILIARY HYDRAULICS                           | 194 |
| IPTO-PIPES AND COVER-WITH AUXILIARY HYDRAULICS - WITH TRAILER<br>BRAKING | 196 |
| IPTO-PIPES AND COVER-WITHOUT AUXILIARY HYDRAULICS                        | 198 |
| IPTO-CLUTCH AND VALVES   | 200 |
| P.T.O. CONTROL-SANKEY CAB  | 204 |
| I.P.T.O CONTROL-SANKEY CAB   | 206 |
| PTO-CONTROL  | 208 |
| REAR AXLE-SPACER   | 210 |
| REAR AXLE-SPACER - WITHOUT SPACER  | 212 |
| REAR AXLE CENTRE HOUSING   | 214 |
| REAR AXLE-ATTACHMENTS  | 216 |
| REAR AXLE-DIFFERENTIAL - 11 X 38   | 218 |
| REAR AXLE-DIFFERENTIAL LOCK MECHANISM                                    | 222 |
| REAR AXLE- DIFFERENTIAL LOCK PEDAL                                       | 224 |
| REAR AXLE- DIFFERENTIAL LOCK PEDAL - WITH SANKEY CAB                     | 226 |
| REAR AXLE-DIFFERENTIAL LOCK PEDAL-SANKEY CAB                             | 228 |
| REAR AXLE-HOUSING  | 230 |
| WET BRAKES   | 232 |
| HYDRAULIC BRAKES   | 234 |
| BRAKE PIPES AND MASTER CYLINDER  | 236 |
| BRAKE PEDALS AND LINKAGE   | 238 |
| BRAKE PEDALS AND LINKAGE - FOUR WHEEL DRIVE- LESS CAB                    | 240 |
| BRAKE PEDALS AND LINKAGE - HYDRAULIC BRAKES                              | 242 |

TABLE OF CONTENT

|   |     |
|---|-----|
| BRAKE PEDALS AND LINKAGE - FOUR WHEEL DRIVE - LESS CAB -FROM SERIAL NO 203876       | 244 |
| BRAKE PEDALS AND LINKAGE-SANKEY CAB - TWO WHEEL DRIVE TRACTORS ONLY                 | 246 |
| BRAKE PEDALS AND LINKAGE-SANKEY CAB - FOUR WHEEL DRIVE TRACTORS ONLY                | 250 |
| BRAKE PEDALS AND LINKAGE-SANKEY CAB - WITH 'Y L O' HITCH                            | 254 |
| BRAKE PEDALS AND LINKAGE-SANKEY CAB - WITHOUT 'Y L O'HITCH                          | 256 |
| BRAKE LINKAGE-SANKEY CAB - FOUR WHEEL DRIVE TRACTORS ONLY WITH TRAILER BRAKIN G     | 258 |
| TRAILER BRAKING PIPES-SANKEY CAB  | 262 |
| MAIN CYLINDER BRAKE   | 264 |
| BRAKE CYLINDER  | 266 |
| HANDBRAKE   | 268 |
| HANDBRAKE - HYDRAULIC BRAKES  | 270 |
| CONVERSION KIT-N/D TO H/D CENTRE HOUSING  | 272 |
| REAR WHEELS   | 274 |
| FRONT WHEELS-2 WHEEL DRIVE  | 280 |
| FRONT WHEELS-4 WHEEL DRIVE  | 282 |
| FRONT AXLE-NORMAL DUTY  | 284 |
| FRONT AXLE-HEAVY DUTY   | 286 |
| AXLE SUPPORT  | 290 |
| STEERING GEAR - UP TO SERIAL NO.198199  | 292 |
| STEERING GEAR - FROM SERIAL NO.198199   | 296 |
| STEERING LINKAGE - MANUAL STEERING  | 300 |
| STEERING LINKAGE - POWER ASSISTED STEERING  | 302 |
| STEERING PUMP-PLESSEY - POWER ASSISTED STEERING                                     | 304 |
| STEERING PUMP   | 308 |
| STEERING HYDRAULIC LINES - POWER ASSISTED STEERING                                  | 310 |
| STEERING CYLINDER - POWER ASSISTED STEERING   | 312 |
| STEERING WHEEL - HYDROSTATIC STEERING   | 316 |
| STEERING UNIT-ORBITROL DANFOSS - UP TO SERIAL NO.197781                             | 318 |
| STEERING UNIT-ORBITROL DANFOSS - FROM SERIAL NO.197781                              | 320 |
| STEERING UNIT-ORBITROL DANFOSS - HYDROSTATIC STEERING - 4 WHEEL DRIVE- SAFETY VALVE | 322 |
| STEERING PUMP-AIR EQUIPEMENT - SALES CODE 334 - HYDRAULIC                           | 324 |
| STEERING HYDRAULIC LINES-4 WHEEL DRIVE - HYDROSTATIC STEERING                       | 328 |
| STEERING HYDRAULIC LINES-2 WHEEL DRIVE - HYDROSTATIC STEERING                       | 330 |
| STEERING CYLINDER-4 WHEEL DRIVE - HYDROSTATIC STEERING                              | 334 |
| STEERING CYLINDER-2 WHEEL DRIVE - HYDROSTATIC STEERING                              | 336 |
| HYDRAULIC LIFT PUMP   | 338 |
| HYDRAULIC PUMP-STRAINER UNIT  | 342 |
| OIL FILTER  | 346 |
| OIL COOLER AND FILTER - LESS OIL COOLER AND FILTER                                  | 348 |
| BREATHING FILTER  | 350 |
| BREATHING FILTER - FOR USE WITH HEAVY DUTY CENTRE HOUSING                           | 352 |
| HYDRAULIC PUMP-PRESSURE CONTROL VALVE   | 354 |
| HYDRAULIC PUMP-MULTIPOWER   | 356 |
| HYDRAULIC PUMP-AUXILIARY  | 358 |
| HYDRAULIC PUMP-GEAR TRAIN   | 362 |
| HYDRAULICS,PUMP CONTROL-MK3A  | 364 |
| HYDRAULICS,PUMP CONTROL-MK3A  | 366 |
| SELECTOR VALVE-MK3A HYDRAULICS  | 368 |
| SIDE COVER-MK3A HYDRAULICS  | 370 |
| OIL COOLER  | 372 |
| HYDRAULIC LIFT COVER-HEAVY DUTY   | 376 |

## TABLE OF CONTENT

|   |     |
|---|-----|
| LIFT ARMS   | 378 |
| DRAFT AND POSITION CONTROLS                                   | 382 |
| DRAFT AND POSITION CONTROLS-SANKEY CAB                        | 384 |
| RESPONSE CONTROLS   | 388 |
| RESPONSE CONTROLS-SANKEY CAB                                  | 390 |
| DUAL SPOOL VALVE  | 392 |
| DUAL SPOOL VALVE-INSTALLATION                                 | 394 |
| DUAL SPOOL VALVE-INSTALLATION                                 | 396 |
| DUAL SPOOL VALVE-HOSE INSTALLATION                            | 398 |
| DUAL SPOOL VALVE-HOSE INSTALLATION - COMBINED FLOW            | 400 |
| DECALS - SPOOL VALVES   | 404 |
| DECALS - SPOOL VALVES   | 406 |
| PRESSURE REGULATOR VALVE                                      | 408 |
| TOP LINKS-CAT 1 AND 2   | 410 |
| LOWER LINKS-CAT 1 AND 2                                       | 412 |
| FRONT HITCH - FROM SERIAL NO 201688                           | 418 |
| FRONT HITCH - UP TO SERIAL NO 201688                          | 420 |
| FRONT HITCH - 4 WHEEL DRIVE - ALTERNATIVE TO 1686 366 M92     | 422 |
| SHEET METAL-GRILLE  | 424 |
| SHEET METAL-HOOD  | 426 |
| SHEET METAL-FLAT TOP FENDERS - U.K TYPE FENDERS               | 430 |
| SHEET METAL-FLAT TOP FENDERS - FRENCHTYPE FENDERS             | 432 |
| SAFETY FRAME  | 436 |
| TOOL BOX  | 438 |
| GUARDS PTO AND ALTERNATOR - WITH FAN GUARDS                   | 440 |
| GUARDS PTO AND ALTERNATOR - WITHOUT FAN GUARDS                | 442 |
| FOOTSTEP  | 444 |
| FOOTSTEP - ERGONOMIC  | 448 |
| TRACTOR CAB-CAB MOUNTINGS AND STEP / STAIRS                   | 450 |
| TRACTOR CAB - SANKEY  | 452 |
| EMBLEMS   | 454 |
| SPEED CHARTS  | 456 |
| SPEED CHARTS  | 458 |
| LITERATURE  | 460 |
| SEAT-DE LUXE  | 462 |
| SEAT-GRAMMER  | 464 |
| SEAT-GRAMMER - SANKEY CAB                                     | 466 |
| FRONT LIGHTING EQUIPMENT                                      | 470 |
| MAIN WIRING HARNESS-REAR - UKTYPE FENDERS                     | 474 |
| REAR LIGHTING EQUIPMENT-FLAT TOP FENDERS - UKTYPE FENDERS     | 476 |
| REAR LIGHTING EQUIPMENT-FLAT TOP FENDERS - FRENCHTYPE FENDERS | 478 |
| WORK LIGHT  | 482 |
| KIT - DIPPED-MAIN BEAM SWITCH                                 | 484 |
| 4 WHEEL DRIVE CONTROLS - FROM SERIAL NUMBER 203876            | 486 |
| 4 WHEEL DRIVE CONTROLS - UP TO SERIAL NO 203876               | 488 |
| TRANSFER GEAR BOX - FROM SERIAL NUMBER 203876                 | 490 |
| TRANSFER GEAR BOX - FROM SERIAL NUMBER 203876                 | 492 |
| SIDE DRIVE GEARBOX - UP TO SERIAL NO 203876                   | 494 |
| SIDE DRIVE GEARBOX - UP TO SERIAL NO 203876                   | 498 |
| TRANSFER GEAR BOX - FROM SERIAL NUMBER 203876                 | 502 |
| FRONT AXLE 4 WHEEL DRIVE - LANDINI                            | 504 |
| FRONT AXLE-DIFFERENTIAL-4 WHEEL DRIVE - LANDINI               | 508 |
| FRONT AXLE FINAL DRIVE-4 WHEEL DRIVE - LANDINI                | 512 |
| DRIVE SHAFT-4 WHEEL DRIVE - LANDINI                           | 516 |

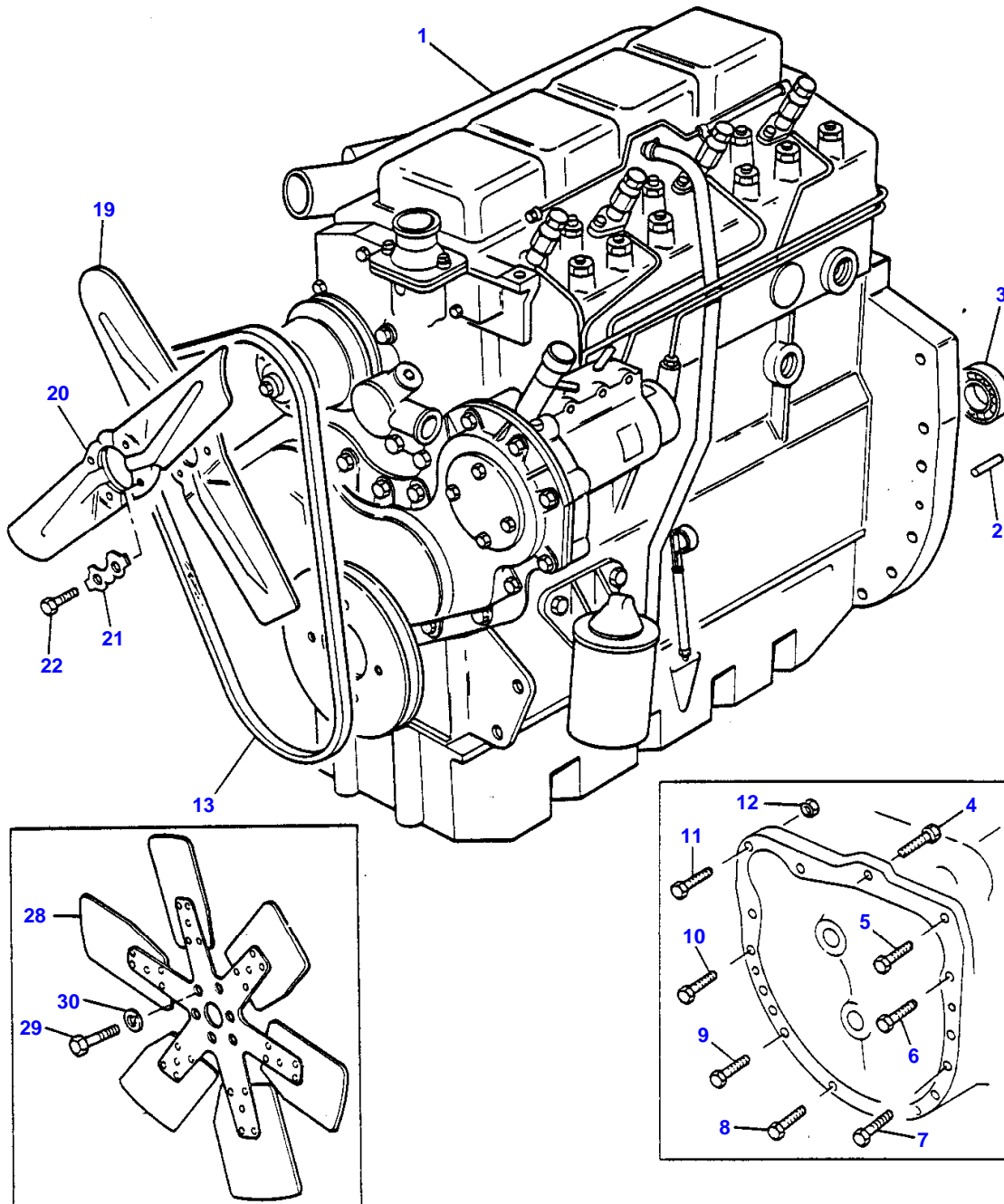
## TABLE OF CONTENT

|  |     |
|--|-----|
| GRASS GUARD-FRONT DRIVE SHAFT  | 518 |
| FRONT AXLE HOUSING-4 WHEEL DRIVE - SCHINDLER                               | 520 |
| FRONT AXLE-HOUSING - SCHINDLER   | 522 |
| FRONT AXLE-DIFFERENTIAL-4 WHEEL DRIVE - SCHINDLER                          | 524 |
| STEERING GEAR-4 WHEEL DRIVE - SCHINDLER                                    | 528 |
| WEIGHTS - 27KG. FRONT WEIGHTS  | 530 |
| WEIGHTS  | 532 |
| WEIGHTS-FRONT WHEELS - CODE 557 812 - 16 AND 18 WHEELS                     | 534 |
| WEIGHTS-FRONT WHEELS - CODE 557 862 - OUTER WEIGHT 16 AND 18 WHEELS        | 536 |
| WEIGHTS-FRONT WHEELS - CODE 557 813 - 19 WHEELS                            | 538 |
| WEIGHTS-REAR WHEELS - CODE 557 814 - FIRST SET - DOUBLE DISC WHEELS        | 540 |
| WEIGHTS-REAR WHEELS - CODE 557 815 - SECOND SET                            | 542 |
| WEIGHTS-REAR WHEELS - CODE 557 818 - FIRST SET SINGLE DISC WHEELS          | 544 |
| WEIGHTS-REAR WHEELS - CODE 557 273 - SQUARE DISC WHEELS                    | 546 |
| SWINGING DRAWBAR   | 548 |
| SWINGING DRAWBAR - HEAVY DUTY  | 550 |
| SWINGING DRAWBAR-Y-L-O   | 552 |
| SWINGING DRAWBAR-LEMOINE HITCH   | 554 |
| DRAWBAR  | 556 |
| HITCH-LEMOINE  | 558 |
| HITCH-LEMOINE - HEAVY DUTY   | 560 |
| AUTOMATIC HITCH WITH DRAWBAR FRAME - CODE 557 904                          | 562 |
| AUTOMATIC HITCH - CODE 557 903   | 564 |
| AUTOMATIC HITCH-REMOTE CONTROL KIT   | 566 |
| AUTOMATIC HITCH-Y-L-O  | 568 |
| CHAIN STABILISER KIT - CODE 557 836 WITH 19503001                          | 570 |
| STABILISER EXTENSION KIT - CODE 557 836 WITH 19473013                      | 572 |
| Y-L-O STABILISERS  | 574 |
| PRESSURE CONTROL COUPLER - CODE 557 908 - NORMAL DUTY                      | 576 |
| KIT - P.T.O. SHAFT - 1000 R.P.M.   | 578 |
| PTO PULLEY   | 580 |
| P.T.O PULLEY GUARD   | 582 |
| ASSISTOR RAM KIT - CODE 557 829  | 584 |
| ASSISTOR RAM KIT - CODE 557 866 - SANKEY CAB                               | 586 |
| ASSISTER RAM KIT-Y-L-O   | 588 |
| SINGLE SPOOL VALVE - CODE 557 750  | 590 |
| SINGLE SPOOL VALVE   | 592 |
| DUAL SPOOL VALVE - CODE 557 751  | 594 |
| SPOOL VALVE SLICE CONVERSION KIT - CODE 557 752                            | 596 |
| DECALS - SPOOL VALVES  | 598 |
| LEVER KIT  | 600 |
| BOLT KIT   | 602 |
| BRACKET AND FITTINGS KIT   | 604 |
| BRACKET AND FITTINGS KIT   | 606 |
| STUD KIT   | 608 |
| STUD KIT - CODE 557 787  | 610 |
| DETENT KIT   | 612 |
| CONNECTOR ASSEMBLY KIT   | 614 |
| SUPPLY HOSE KIT - CODE 557 756   | 616 |
| OUTLET HOSE KIT-SINGLE SPOOL - CODE 557 758                                | 618 |
| OUTLET HOSE KIT-SINGLE SPOOL - LAMBOURN CAB                                | 620 |
| OUTLET HOSE KIT-DOUBLE SPOOL - CODE 557 759                                | 622 |
| HOSE KIT-AUXILIARY FLOW  | 624 |
| HOSE KIT-LINKAGE FLOW MK 111 A VALVE                                       | 626 |
| OIL PIPE KIT - TRAILER TIPPING - L.P.O. SANKEY CAB - MK111A - QUICK ATTACH | 628 |

TABLE OF CONTENT

|  |     |
|--|-----|
| OIL PIPE KIT - TRAILER LIFTING - LIQ. SANKEY CAB - TRAILER TQU FOR ATTACH<br>COUPLER | 629 |
| OIL PIPE KIT-HYDRAULIC LIFT COVER  | 630 |
| OIL PIPE KIT-SELECTOR VALVE  | 632 |
| TRAILER BRAKING KIT - SANKEY CAB   | 634 |
| TRAILER BRAKING KIT - MECHANICAL BRAKES  | 638 |
| TOOLS  | 644 |
| TOP LINKS-STOWAGE HOOK   | 646 |
| MOUNTING PLATE-NUMBER PLATE AND LIGHTS   | 648 |
| SLOW MOVING VEHICLE SIGN   | 650 |
| TRACTOR CAB-KIT-'D' PLATE - FRANCE ONLY  | 652 |
| MIRRORS - SANKEY   | 654 |
| REFLECTOR  | 656 |
| SAFETY FRAME - ROOF ASSEMBLY   | 658 |
| KIT, SAFETY FRAME-PEKO   | 660 |
| SUN CANOPY KIT - CODE 557 262  | 662 |
| SUN CANOPY KIT - WITH PEKO SAFETY FRAME  | 664 |

3-0115-024-B

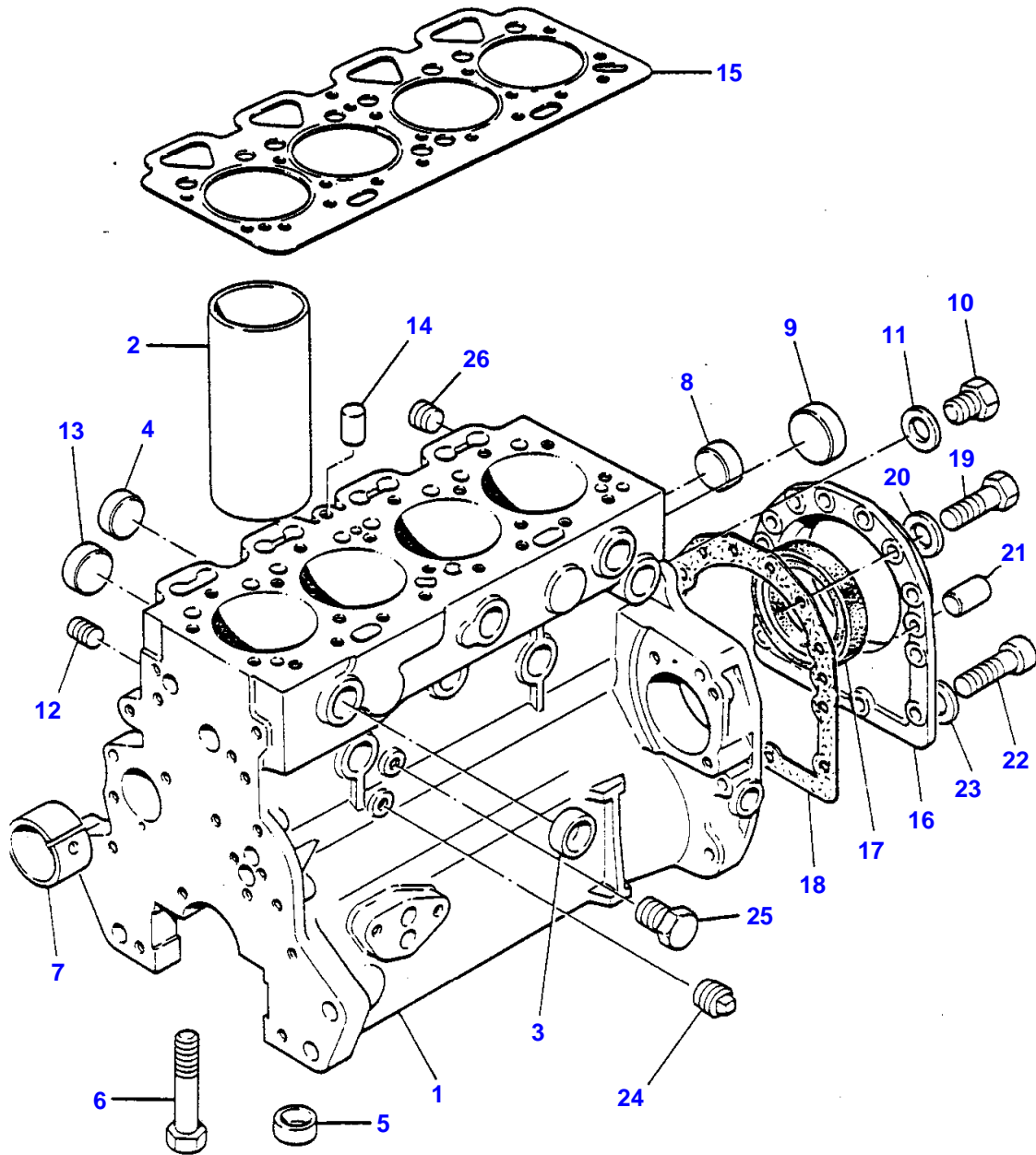


**MASSEY FERGUSON****MF 265 TRACTOR, |-> 193552 (GB) - 819702****819702****ENGINE INSTALLATION - A4.236 ENGINE****2**

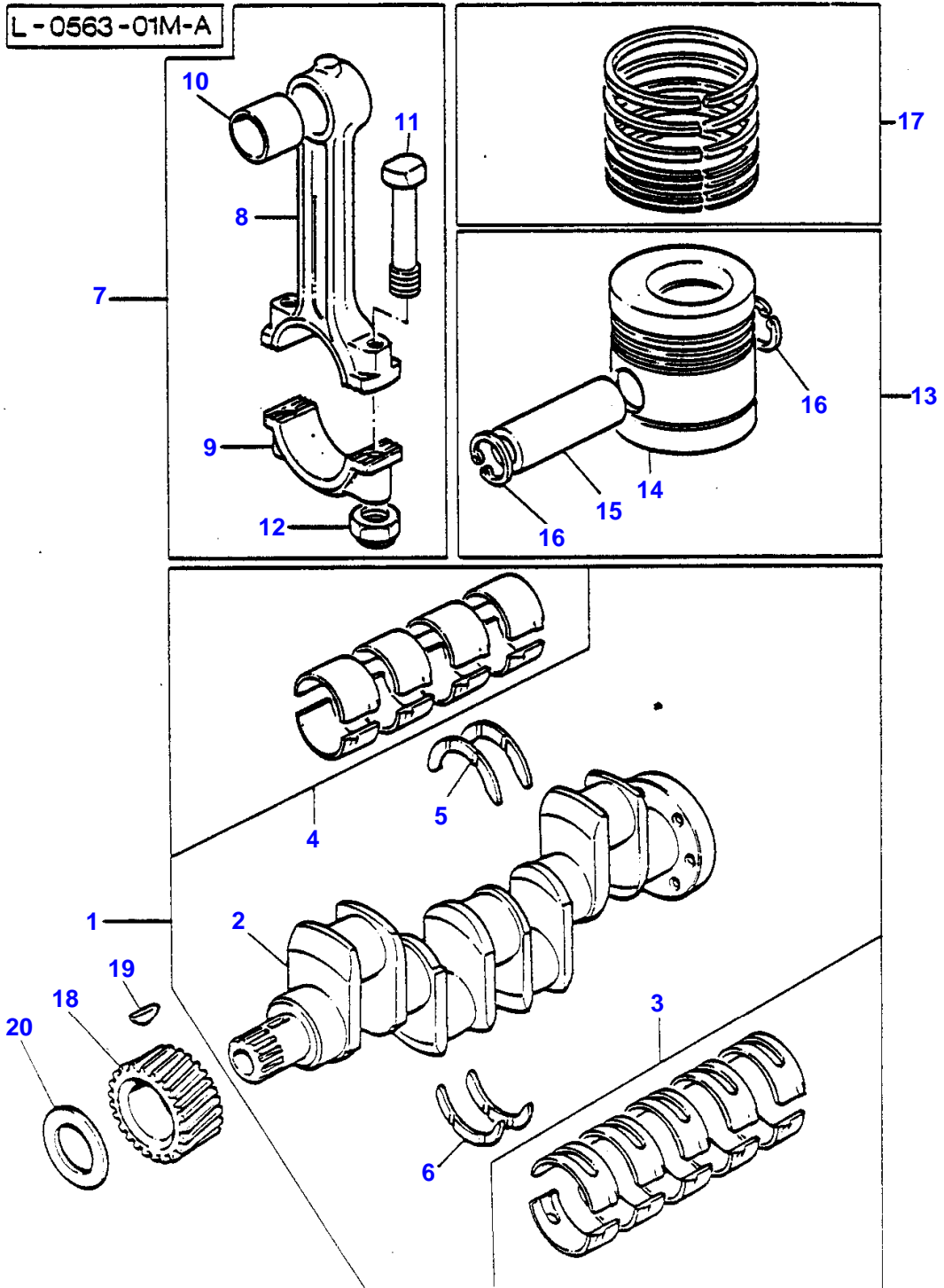
| Item | Part Number | Qty | Description  | Comments               |
|------|-------------|-----|--------------|------------------------|
|      |             |     |              | A4.236 ENGINE          |
| 1    | 1673026M91  | 1   | Engine       | PERKINS LIST.<br>22781 |
| 2    | 825302M1    | 2   | Dowel        |                        |
| 3    | 828123M1    | 1   | Bearing Assy |                        |
| 4    | 353701X1    | 1   | Screw Unc    |                        |
| 5    | 353704X1    | 1   | Bolt Unc     |                        |
| 6    | 353708X1    | 2   | Bolt Unc     |                        |
| 7    | 353711X1    | 2   | Bolt Unc     |                        |
| 8    | 353704X1    | 2   | Bolt Unc     |                        |
| 9    | 353711X1    | 2   | Bolt Unc     |                        |
| 10   | 353708X1    | 3   | Bolt Unc     |                        |
| 11   | 353564X1    | 1   | Bolt Unf     |                        |
| 12   | 353426X1    | 1   | Nut Unf      |                        |
| 13   | 2614B159    | 1   | Belt         |                        |
| 19   | 1885173M1   | 1   | Fan          |                        |
| 20   | 1885172M1   | 1   | Fan          |                        |
| 21   | 885476M2    | 2   | Tab Washer   |                        |
| 22   | 353518X1    | 4   | Screw Unf    |                        |
| 28   | 1874995M92  | 1   | Fan          |                        |
| 29   | 353518X1    | 4   | Screw Unf    |                        |
| 30   | 353446X1    | 4   | Lock Washer  |                        |



L-0560-01M-A

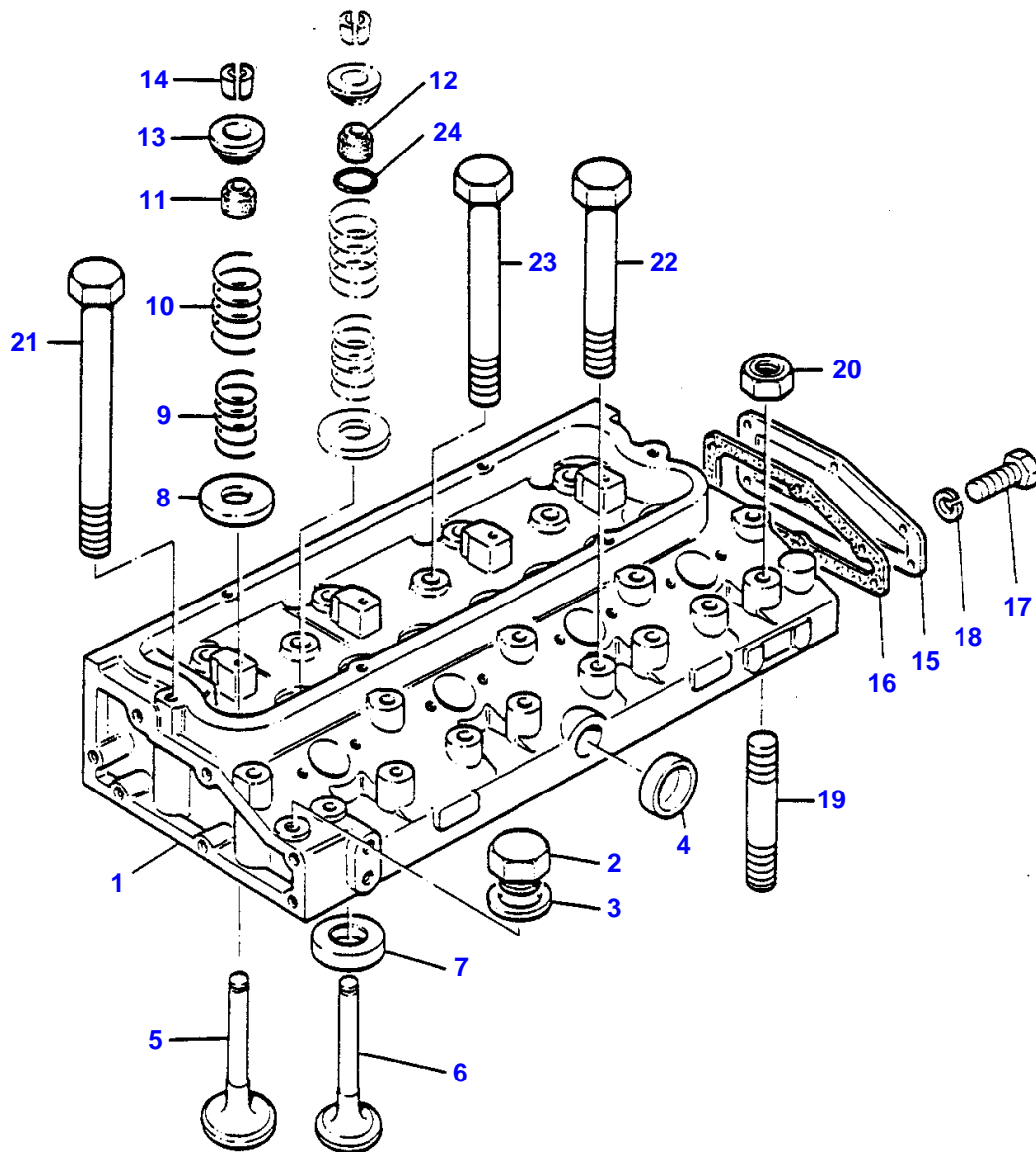


| Item | Part Number | Qty | Description   | Comments  |
|------|-------------|-----|---------------|---|
|      |             |     |               | A4.236 ENGINE   |
| 1    | ZZ 50144    | 1   | Kit,Cyl.Block | (C,D)<br>Repairs and replaces ZZ50079/81<br>Repairs and replaces ZZ50039/31<br>Repairs and replaces 61676 |
| 2    | 31358393    | 4   | Liner         | (1)<br>(A,E)  |
| 2    | 31358394    | X   | Liner         | (B,E)   |
|      | 31358398    | X   | Liner         | (E)<br>Repairs and replaces 31358403<br>0.010" 0.25MM<br>O/S  |
| 2    | 3135X031    | 4   | Liner         | (1)<br>(A,F)  |
| 2    | 3135X032    | X   | Liner         | (B,F)   |
| 3    | 0650710     | 6   | Plug          | (1)<br>Repairs and replaces 0650563   |
| 4    | 32418117    | 4   | Plug          | (1)<br>Repairs and replaces 0650618   |
| 5    | 33142111    | 10  | Thimble       | (1)   |
| 6    | 32166329    | 10  | Bolt          | (1)   |
| 7    | 31134164    | 1   | Bush          | (1)<br>Repairs and replaces 31134163<br>Repairs and replaces 31134132                                     |
| 8    | 0650710     | 2   | Plug          | (1)<br>Repairs and replaces 0650563   |
| 9    | 32416105    | 1   | Plug          |   |
| 10   | 0650582     | 1   | Plug          |   |
| 11   | 0920130     | 1   | Washer        |   |
| 12   | 32114501    | 1   | Plug          |   |
| 13   | 0650577     | 4   | Plug          |   |
| 14   | 32417134    | 1   | Plug          |   |
| 15   | 36812349    | 1   | Head Gasket   |   |
| 16   | 4142V064    | 1   | Housing       | Repairs and replaces 4142V061<br>Repairs and replaces 4142V031  |
| 17   | 2418F475    | 1   | Seal          | (16)<br>Repairs and replaces 2415391  |
| 18   | 36817157    | 1   | Joint         |   |
| 19   | 0746211     | 10  | Bolt          |   |
| 20   | 0920003     | 10  | Washer        |   |
| 21   | 0350009     | 2   | Dowel         |   |
| 22   | 2172530     | 2   | Capscrew      |   |
| 23   | 33112111    | 2   | Washer        |   |
| 24   | 0650594     | 1   | Plug          |   |
| 25   | 32161114    | 2   | Plug          | Repairs and replaces 32161357<br>Repairs and replaces 32161114  |
| 26   | 0650588     | 2   | Plug          |   |
|      |             |     |               | (A)<br>PRESS FIT  |
|      |             |     |               | (B)<br>SLIP FIT   |
|      |             |     |               | (C)<br>WAS ZZ50031 USE ZZ50039/32166337(2)/32166338(12)/3 2166339(8).                                     |
|      |             |     |               | (D)<br>WAS ZZ50039 USE ZZ50081 WITH 36812352/33153157/211 6053/2184634(3)                                 |
|      |             |     |               | (E)<br>USED ONLY WITH ZZ50039/ZZ50031/61676.  |
|      |             |     |               | (F)<br>USED ONLY WITH ZZ50081.  |



| Item | Part Number | Qty | Description      | Comments  |
|------|-------------|-----|------------------|---|
|      |             |     |                  | A4.236 ENGINE   |
| 1    | ZZ 90082    | 1   | Kit, Crankshaft  | Repairs and replaces ZZ90083<br>Repairs and replaces U5BG0026<br>Repairs and replaces 68609 |
| 2    |             | 1   | Crankshaft       | (1)<br>Not serviced, order REF.1  |
| 3    | 81558       | 1   | Kit, Bearing     | (1)<br>(A)  |
| 3    | 81558A      | X   | Kit, Bearing     | (A)<br>Thickness (-)0.25MM<br>Thickness (-)0.010"   |
| 3    | 81558B      | X   | Kit, Bearing     | (A)<br>Thickness (-)0.50MM<br>Thickness (-)0.020"   |
| 3    | 81558C      | X   | Kit, Bearing     | (A)<br>Thickness (-)0.75MM<br>Thickness (-)0.030"   |
| 4    | 85042       | 1   | Kit, Bearing     | (1)<br>(A)  |
| 4    | 85042A      | X   | Kit, Bearing     | (A)<br>Thickness (-)0.25MM<br>Thickness (-)0.010"   |
| 4    | 85042B      | X   | Kit, Bearing     | (A)<br>Thickness (-)0.50MM<br>Thickness (-)0.020"   |
| 4    | 85042C      | X   | Kit, Bearing     | (A)<br>Thickness (-)0.75MM<br>Thickness (-)0.030"   |
| 5    | 31137551    | 2   | Thrust Washer    | (1)<br>Repairs and replaces 31137311  |
| 5    | 31137312    | X   | Thrust Washer    | Thickness (+)0.19MM<br>Thickness (+)0.0075"   |
| 6    | 31137561    | 2   | Thrust Washer    | (1)<br>Repairs and replaces 31137321  |
| 6    | 31137322    | X   | Thrust Washer    | Thickness (+)0.19MM<br>Thickness (+)0.0075"   |
| 7    | ZZ 90009    | 4   | Kit, Conrod      | Repairs and replaces M7BJ0015   |
| 8    |             | 1   | Conrod           | (7)<br>Not serviced, order REF.7  |
| 9    |             | 1   | Cap              | (7)<br>Not serviced, order REF.7  |
| 10   | 31134123    | 1   | Bush             | (7)   |
| 11   | 32762144    | 2   | Bolt             | (7)   |
| 12   | 33221328    | 2   | Nut              | (7)   |
| 13   | 68300       | 4   | Kit, Piston      | (B)   |
|      | 68301       | 4   | Kit, Piston      | (C)   |
|      | 68301C      | X   | Kit, Piston      | (C)<br>Thickness (+)0.75MM<br>Thickness (+)0.030"   |
| 14   |             | 1   | Piston           | (13)<br>Not serviced, order REF.13  |
| 15   |             | 1   | Pin              | (13)<br>Not serviced, order REF.13  |
| 16   | 0170002     | 2   | Circlip          | (13)  |
| 17   | 41158041    | 4   | Kit, Piston Ring |   |
|      | 41158041C   | X   | Kit, Piston Ring | Thickness (+)0.75MM<br>Thickness (+)0.030"  |
| 18   | 31171681    | 1   | Gear,Crankshaft  | 28T   |
| 19   | 0500012     | 1   | Woodruff Key     |   |
| 20   | 33125416    | 1   | Washer           |   |
|      |             |     |                  | (A)<br>PRE-FINISHED   |
|      |             |     |                  | (B)<br>UNTOPPED   |
|      |             |     |                  | (C)<br>PRE-TOPPED   |

L-0566-01M-A



| Item | Part Number | Qty | Description    | Comments  |
|------|-------------|-----|----------------|---|
|      |             |     |                | A4.236 ENGINE   |
| 1    | ZZ 80072    | 1   | Kit, Cyl. Head | (D)<br>Repairs and replaces ZZ80054<br>Repairs and replaces U5BD0004                                  |
| 2    | ZZ 80157    | 1   | Kit, Cyl. Head | (1)<br>Repairs and replaces ZZ80061<br>Repairs and replaces ZZ80004                                   |
| 3    |             | 1   | Head           | (2)<br>Not serviced, order REF.2  |
| 4    | 3343F002    | 4   | Guide          | (2)   |
| 5    | 3343J002    | 4   | Guide          | (2)   |
| 6    | 0650203     | 1   | Plug           | (2)   |
| 7    | 2411107     | 1   | Washer         | (2)   |
| 8    | 0650710     | 1   | Plug           | (2)   |
| 9    | 3623K007    | 1   | Plate          | Repairs and replaces 0650563<br>(2)<br>Repairs and replaces 37553142<br>Repairs and replaces 3621F005 |
| 10   | 3685R004    | 1   | Joint          | (2)<br>Repairs and replaces 36851409  |
| 11   | 0746452     | 2   | Setscrew       | (2)   |
| 12   | 0920054     | 2   | Washer         | (2)   |
| 13   | 0746254     | 4   | Setscrew       | (2)   |
| 14   | 0920053     | 4   | Washer         | (2)   |
| 15   | 31431881    | 4   | Valve Exhaust  | (1)   |
| 15   | 31431882    | X   | Valve Exhaust  | Alternative 31431886<br>(G)<br><br>Thickness (+)0.08MM<br>Thickness (+)0.003"                         |
| 15   | 31431883    | X   | Valve Exhaust  | (G)<br><br>Thickness (+)0.38MM<br>Thickness (+)0.015"   |
| 15   | 31431884    | X   | Valve Exhaust  | (G)<br><br>Thickness (+)0.75MM<br>Thickness (+)0.030"   |
| 16   | 33415118    | 4   | Washer         | (1)   |
| 17   | 31744131    | 4   | Spring         | (1)   |
| 18   | 31745121    | 4   | Spring         | (1)   |
| 19   | 2415B201    | 4   | O Ring         | (1)   |
| 20   | 33817117    | 4   | Seal           | (1)   |
| 21   | 33423147    | 4   | Cap            | (1)   |
| 22   | 33173108    | 8   | Cotter         | (1)<br>(A)  |
| 23   | 31431641    | 4   | Valve Inlet    | (1)   |
|      | 31431401    | X   | Valve Inlet    | (G)<br><br>Thickness (+)0.08MM<br>Thickness (+)0.003"   |
| 23   | 31431402    | X   | Valve Inlet    | (G)<br><br>Thickness (+)0.38MM<br>Thickness (+)0.015"   |
| 23   | 31431403    | X   | Valve Inlet    | (G)<br><br>Thickness (+)0.75MM<br>Thickness (+)0.030"   |
| 24   | 33415118    | 4   | Washer         | (1)<br>Repairs and replaces 33123117  |
| 25   | 31744131    | 4   | Spring         | (1)   |
| 26   | 31745121    | 4   | Spring         | (1)   |
| 27   | 33817117    | 4   | Seal           | (1)<br>Repairs and replaces 33817125  |
| 28   | 33423147    | 4   | Cap            | (1)   |
| 29   | 33173108    | 8   | Cotter         | (1)<br>(A)  |
| 30   | 33152139    | X   | Insert         |   |
| 31   | 32526312    | 2   | Stud           | (E)   |
| 32   | 33221328    | 2   | Nut            | (E)   |

**Buy Now**



Our support email:

[ebooklibonline@outlook.com](mailto:ebooklibonline@outlook.com)