

Page Title	Page Number
ENGINE INSTALLATION - A4.248 ENGINE	2
CYLINDER BLOCK - A4.248 ENGINE	4
CRANKSHAFT, PISTONS AND CONNECTING RODS - A4.248 ENGINE	6
CYLINDER HEAD - A4.248 ENGINE	10
ROCKER SHAFT - A4.248 ENGINE	14
TIMING GEAR AND CAMSHAFT - A4.248 ENGINE	16
BALANCER UNIT - A4.248 ENGINE-UP TO ENGINE NO.U880190K	18
BALANCER UNIT - A4.248 ENGINE-FROM ENGINE NO.U880191K.	20
BALANCER UNIT	24
FUEL INJECTION EQUIPMENT (DIESEL) - A4.248 ENGINE	28
FLYWHEEL AND STARTER RING - A4.248 ENGINE	30
LUBRICATING OIL SUMP - A4.248 ENGINE	32
LUBRICATING OIL FILLER AND BREATHER - A4.248 ENGINE	36
LUBRICATING OIL FILTER AND INTEGRAL COOLER - A4.248 ENGINE	38
FRONT END DRIVE INPUT AND OUTPUT - A4.248 ENGINE	40
WATER PUMP, THERMOSTAT AND HEAT EXCHANGER - A4.248 ENGINE	42
WATER OUTLET AND INLET - A4.248 ENGINE	46
FAN AND EXTENSION - A4.248 ENGINE	48
ALTERNATOR POSITIONER - A4.248 ENGINE	50
GEAR DRIVE AUXILIARY DRIVE OPTIONS - A4.248 ENGINE	52
INDUCTION MANIFOLD - A4.248 ENGINE	54
EXHAUST MANIFOLD - A4.248 ENGINE	56
LOW PRESSURE FUEL SYSTEM - A4.248 ENGINE	58
COLD START SYSTEM - A4.248 ENGINE	60
ENGINE LIFTING - A4.248 ENGINE	62
JOINTS AND GASKETS-TOP SERVICE KIT - A4.248 ENGINE	64
JOINTS AND GASKETS-BOTTOM SERVICE KIT - A4.248 ENGINE	66
ELECTRICAL EQUIPMENT	68
STARTER-LUCAS	70
STARTER-PARIS RHONE	72
ALTERNATOR-LUCAS	74
BATTERY	76
BATTERY	78
COOLING SYSTEM	80
FUEL TANK AND ATTACHMENTS	82
FUEL FILTERS AND PIPES	84
AIR FILTER	86
AIR FILTER-OIL BATH AIR FILTER	90
MUFFLER VERTICAL	92
MUFFLER HORIZONTAL	94
THROTTLE CONTROLS	96
THROTTLE CONTROLS	100
THROTTLE CONTROLS - WITH HYDRAULIC BRAKES	102
INSTRUMENT PANEL AND INSTRUMENTS	104
SHEET METAL-PANEL WIRING	106
ENGINE PIPE WORK-SANKEY CAB	108
DUAL CLUTCH	110
SPLIT TORQUE CLUTCH	112
CLUTCH PEDAL AND LINKAGE - WITH SPACER	114
CLUTCH PEDAL AND LINKAGE - ERGONOMIC	116
CLUTCH PEDAL AND LINKAGE-SANKEY CAB	118
CLUTCH PEDAL AND LINKAGE - ERGONOMIC CLUTCH PEDAL	120
8 SPEED CONSTANT MESH TRANSMISSION-HOUSING	122

8 SPEED CONSTANT MESH TRANSMISSION-FORK AND GEAR SHIFTRAIL	126
8 SPEED CONSTANT MESH TRANSMISSION-MAIN SHAFT	128
8 SPEED CONSTANT MESH TRANSMISSION-COUNTERSHAFT	130
MULTIPOWER CONSTANTMESH TRANSMISSION-HOUSING	132
MULTIPOWER CONSTANTMESH TRANSMISSION-FORK AND GEAR SHIFTRAIL	134
MULTIPOWER CONSTANTMESH TRANSMISSION-INPUTSHAFT	136
MULTIPOWER CONSTANTMESH TRANSMISSION-MAIN SHAFT	138
MULTIPOWER CONSTANTMESH TRANSMISSION-COUNTERSHAFT	140
8 SPEED SYNCHROMESH ZF TRANSMISSION-HOUSING	142
8 SPEED SYNCHROMESH ZF TRANSMISSION-FORK AND GEARSHIFT RAIL	144
8 SPEED SYNCHROMESH ZF TRANSMISSION-MAIN SHAFT	146
8 SPEED SYNCHROMESH ZF TRANSMISSION-COUNTER SHAFT	148
8 SPEED SYNCHROMESH ZF TRANSMISSION-SYNCHROMESH	150
MULTIPOWER SYNCHROMESH Z.F. TRANSMISSION-HOUSING	152
MULTIPOWER SYNCHROMESH Z.F. TRANSMISSION-FORK AND GEARSHIFT RAILS	154
MULTIPOWER SYNCHROMESH Z.F. TRANSMISSION-INPUT SHAFT	156
MULTIPOWER SYNCHROMESH Z.F.TRANSMISSION-MAINSHAFT - MK 11 TRANSMISSIONS	158
MULTIPOWER SYNCHROMESH Z.F.TRANSMISSION-MAINSHAFT - MK 1 TRANSMISSION	160
MULTIPOWER SYNCHROMESH Z.F.TRANSMISSION-SYNCHRO	162
MULTIPOWER SYNCHROMESH Z.F.TRANSMISSION-COUNTERSHAFT	166
12 SPEED SYNCHROMESH ZF TRANSMISSION-HOUSING	170
12 SPEED SYNCHROMESH ZF TRANSMISSION-FORK AND GEAR SHIFT RAIL	174
12 SPEED SYNCHROMESH ZF TRANSMISSION-INPUT SHAFT	176
12 SPEED SYNCHROMESH ZF TRANSMISSION-MAIN SHAFT	178
12 SPEED SYNCHROMESH ZF TRANSMISSION-COUNTER SHAFT	182
EPICYCLIC UNIT	186
EPICYCLIC UNIT-HEAVY DUTY	188
TRANSMISSION-TRANSMISSION OIL PIPE	190
MULTIPOWER TRANSMISSION-OIL FLOW	192
HYDRAULIC VALVE	194
HYDRAULIC VALVE-FOUR WHEEL DRIVE	196
SHIFT LEVER	198
SHIFT LEVERS-12 SPEED TRANSMISSION	202
MULTI POWER TRANSMISSION-SHIFT CONTROL	204
PTO-DRIVE MECHANISM-SINGLE SPEED	206
PTO-DRIVE MECHANISM-TWO SPEED	208
PTO-COVER ASSEMBLY	210
IPTO-PIPES AND COVER-WITH AUXILIARY HYDRAULICS	212
IPTO-PIPES AND COVER-WITH AUXILIARY HYDRAULICS - WITH TRAILER BRAKING	214
IPTO-PIPES AND COVER-WITHOUT AUXILIARY HYDRAULICS	216
I.P.T.O CONTROL-SANKEY CAB	218
PTO-CONTROL	220
P.T.O. CONTROL-SANKEY CAB	222
IPTO-CLUTCH AND VALVES	224
REAR AXLE-SPACER	228
REAR AXLE CENTRE HOUSING	232
REAR AXLE-ATTACHMENTS	234
REAR AXLE-DIFFERENTIAL	236
REAR AXLE-DIFFERENTIAL LOCK MECHANISM	240
REAR AXLE- DIFFERENTIAL LOCK PEDAL	242
REAR AXLE- DIFFERENTIAL LOCK PEDAL - WITH SANKEY CAB	244
REAR AXLE-HOUSING - NORMAL DUTY	246

REAR AXLE-HOUSING - HEAVY DUTY	248
WET BRAKES	250
HYDRAULIC BRAKES	252
BRAKE PEDALS AND LINKAGE	254
BRAKE PEDALS AND LINKAGE - HYDRAULIC BRAKES	256
BRAKE PEDALS AND LINKAGE-SANKEY CAB	258
BRAKE PEDALS AND LINKAGE-SANKEY CAB - WITH 'Y L O' HITCH	260
BRAKE LINKAGE-SANKEY CAB - FOUR WHEEL DRIVE TRACTORS ONLY WITH TRAILER BRAKING	262
TRAILER BRAKING PIPES-SANKEY CAB	264
BRAKE PIPES AND MASTER CYLINDER	266
MAIN CYLINDER BRAKE	268
BRAKE CYLINDER	270
HANDBRAKE - HYDRAULIC BRAKES	272
HANDBRAKE	274
CONVERSION KIT-N/D TO H/D CENTRE HOUSING	276
REAR WHEELS	278
REAR WHEELS	286
FRONT WHEELS-2 WHEEL DRIVE	288
FRONT WHEELS-4 WHEEL DRIVE	290
AXLE SUPPORT	292
FRONT AXLE-HEAVY DUTY	294
STEERING GEAR - UP TO SERIAL NO.390002	296
STEERING GEAR - FROM SERIAL NO.390002	300
STEERING LINKAGE - MANUAL STEERING	304
STEERING LINKAGE - POWER ASSISTED STEERING	306
STEERING HYDRAULIC LINES - POWER ASSISTED STEERING	308
STEERING PUMP-PLESSEY - POWER ASSISTED STEERING	310
STEERING PUMP	314
STEERING CYLINDER - POWER ASSISTED STEERING	316
STEERING HYDRAULIC LINES-4 WHEEL DRIVE - HYDROSTATIC STEERING	320
STEERING HYDRAULIC LINES-2 WHEEL DRIVE - HYDROSTATIC STEERING	324
STEERING WHEEL - HYDROSTATIC STEERING	328
STEERING UNIT-ORBITROL DANFOSS - UP TO SERIAL NO.389717	330
STEERING UNIT-ORBITROL DANFOSS - FROM SERIAL NO.389717	332
STEERING UNIT-ORBITROL DANFOSS - HYDROSTATIC STEERING - 4 WHEEL DRIVE- SAFETY VALVE	334
STEERING PUMP-AIR EQUIPEMENT - HYDROSTATIC STEERING - 4 WHEEL DRIVE	336
STEERING PUMP-AIR EQUIPEMENT - HYDROSTATIC STEERING - 2 WHEEL DRIVE	340
STEERING CYLINDER-4 WHEEL DRIVE - HYDROSTATIC STEERING	344
STEERING CYLINDER-2 WHEEL DRIVE - HYDROSTATIC STEERING	346
HYDRAULIC LIFT PUMP	348
HYDRAULIC PUMP-STRAINER UNIT	352
BREATHING FILTER	356
BREATHING FILTER - FOR USE WITH HEAVY DUTY CENTRE HOUSING	358
OIL COOLER AND FILTER - LESS OIL COOLER AND FILTER	360
OIL FILTER	362
HYDRAULIC PUMP-PRESSURE CONTROL VALVE	364
HYDRAULIC PUMP-AUXILIARY	366
HYDRAULIC PUMP-GEAR TRAIN	370
HYDRAULIC PUMP-MULTIPOWER	372
HYDRAULICS,PUMP CONTROL-MK3A	374
HYDRAULICS,PUMP CONTROL-MK3A	376
SELECTOR VALVE-MK3A HYDRAULICS	378
SIDE COVER-MK3A HYDRAULICS	380

TABLE OF CONTENT

-----	---
PRESSURE REGULATOR VALVE	382
OIL COOLER	384
HYDRAULIC LIFT COVER-HEAVY DUTY	388
LIFT ARMS	392
DRAFT AND POSITION CONTROLS	396
DRAFT AND POSITION CONTROLS-SANKEY CAB	398
RESPONSE CONTROLS	402
RESPONSE CONTROLS-SANKEY CAB	404
DUAL SPOOL VALVE	406
DUAL SPOOL VALVE-INSTALLATION	408
DUAL SPOOL VALVE-HOSE INSTALLATION	410
DECALS - SPOOL VALVES	412
TOP LINKS	414
LOWER LINKS	416
LOWER LINKS-QUICK ATTACHE	418
FRONT HITCH - FROM SERIAL NO 393548	420
FRONT HITCH - UP TO SERIAL NO 393548	422
FRONT HITCH - 4 WHEEL DRIVE - ALTERNATIVE TO 1686 366 M92	424
SHEET METAL-GRILLE	426
SHEET METAL-HOOD	428
SHEET METAL-FLAT TOP FENDERS - U.K TYPE FENDERS	432
SHEET METAL-FLAT TOP FENDERS - FRENCHTYPE FENDERS	434
SAFETY FRAME	438
TOOL BOX - SOUTH AFRICA ONLY	440
FOOTSTEP	442
FOOTSTEP - ERGONOMIC	446
TRACTOR CAB-CAB MOUNTINGS AND STEP / STAIRS	448
TRACTOR CAB - SANKEY	450
GUARDS PTO AND ALTERNATOR - WITH FAN GUARDS	452
GUARDS PTO AND ALTERNATOR - WITHOUT FAN GUARDS	454
EMBLEMS	456
SPEED CHARTS	458
LITERATURE	460
SEAT-GRAMMER	462
SEAT-GRAMMER - SANKEY CAB	464
CIGAR LIGHTER	466
FRONT LIGHTING EQUIPMENT	468
MAIN WIRING HARNESS-REAR - UKTYPE FENDERS	472
REAR LIGHTING EQUIPMENT-FLAT TOP FENDERS - UKTYPE FENDERS	474
REAR LIGHTING EQUIPMENT-FLAT TOP FENDERS - FRENCHTYPE FENDERS	476
WORK LIGHT	480
FRONT AXLE HYDRAULIC CONTROL - UP TO SERIAL NO 392592	482
FRONT AXLE HYDRAULIC CONTROL-SANKEY CAB - UP TO SERIAL NO 392592	484
FRONT AXLE MECHANICAL CONTROL - FROM SERIAL NUMBER 392592	486
TRANSFER GEAR BOX - UP TO SERIAL NO 392592	488
TRANSFER GEAR BOX - FOR USE WITH HEAVY DUTY REAR AXLE FOR AAA ONLY -- UP TOP SERIAL NO 392592	490
TRANSFER GEAR BOX - FROM SERIAL NUMBER 392592	492
TRANSFER GEAR BOX-GEARS - UP TO SERIAL NO 392592	494
TRANSFER GEAR BOX - FROM SERIAL NUMBER 392592	498
TRANSFER GEAR BOX - FROM SERIAL NUMBER 392592	500
FRONT AXLE 4 WHEEL DRIVE	502
FRONT AXLE HOUSING-4 WHEEL DRIVE	504
FRONT AXLE-DIFFERENTIAL-4 WHEEL DRIVE	508

TABLE OF CONTENT

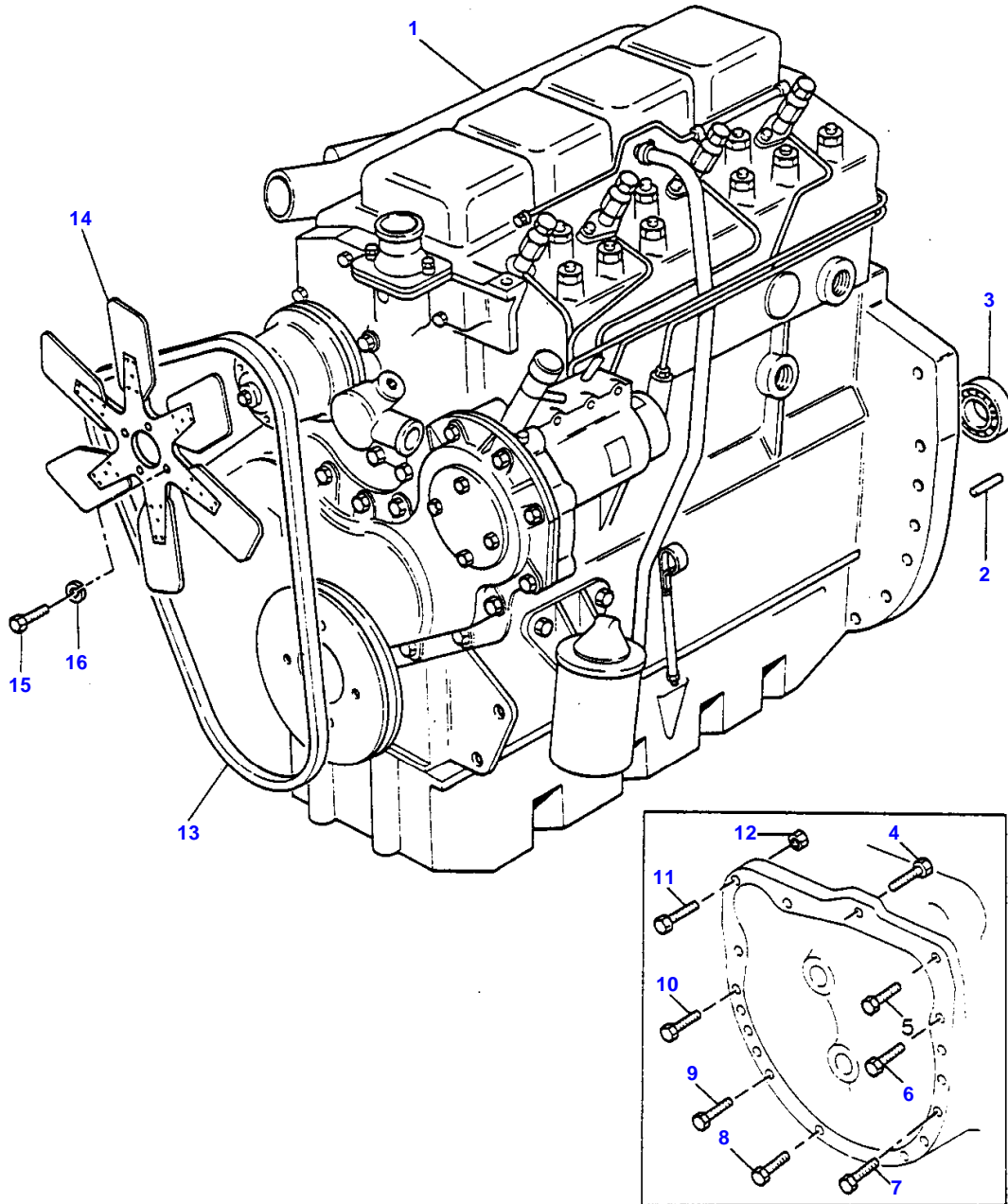
FRONT AXLE FINAL DRIVE-4 WHEEL DRIVE - CAT II AXLE	510
WEIGHTS - 27KG. FRONT WEIGHTS	512
WEIGHTS - CODE 557 865 - 45KG. FRONT WEIGHTS	514
WEIGHTS	516
WEIGHTS-FRONT WHEELS - CODE 557 812 - 16 AND 18 WHEELS	518
WEIGHTS-FRONT WHEELS - CODE 557 862 - OUTER WEIGHT 16 AND 18 WHEELS	520
WEIGHTS-REAR WHEELS - CODE 557 814 - FIRST SET - DOUBLE DISC WHEELS	522
WEIGHTS-REAR WHEELS - CODE 557 815 - SECOND SET	524
WEIGHTS-REAR WHEELS - CODE 557 817 - 30 PAVT WHEELS	526
WEIGHTS-REAR WHEELS - CODE 557 818 - FIRST SET SINGLE DISC WHEELS	528
WEIGHTS-REAR WHEELS - CODE 557 273 - SQUARE DISC WHEELS	530
SWINGING DRAWBAR - HEAVY DUTY	532
SWINGING DRAWBAR-LEMOINE HITCH	534
DRAWBAR	536
HITCH-LEMOINE	538
HITCH-LEMOINE - HEAVY DUTY	540
AUTOMATIC HITCH WITH DRAWBAR FRAME - CODE 557 904	542
AUTOMATIC HITCH - CODE 557 903	544
AUTOMATIC HITCH-REMOTE CONTROL KIT	546
AUTOMATIC HITCH-Y-L-O	548
CHAIN STABILISER KIT - CODE 557 836 WITH 19503001	550
STABILISER EXTENSION KIT - CODE 557 836 WITH 19473013	552
Y-L-O STABILISERS	554
PRESSURE CONTROL COUPLER HEAVY DUTY - CODE 557 838	556
KIT - P.T.O. SHAFT - 1000 R.P.M.	558
PTO PULLEY	560
P.T.O PULLEY GUARD	562
ASSISTOR RAM KIT - CODE 557 829	564
ASSISTOR RAM KIT - CODE 557 866 - SANKEY CAB	566
ASSISTER RAM KIT-Y-L-O	568
SINGLE SPOOL VALVE - CODE 557 750	570
SINGLE SPOOL VALVE	572
DUAL SPOOL VALVE - CODE 557 751	574
DUAL SPOOL VALVE-INSTALLATION	576
DUAL SPOOL VALVE-HOSE INSTALLATION - LINKAGE FLOW - MK 111 A	578
DUAL SPOOL VALVE-HOSE INSTALLATION - COMBINED FLOW	580
SPOOL VALVE SLICE CONVERSION KIT - CODE 557 752	584
DECALS - SPOOL VALVES	586
DECALS - SPOOL VALVES	588
LEVER KIT	590
BOLT KIT	592
BRACKET AND FITTINGS KIT	594
BRACKET AND FITTINGS KIT	596
STUD KIT	598
STUD KIT - CODE 557 787	600
DETENT KIT	602
CONNECTOR ASSEMBLY KIT	604
SUPPLY HOSE KIT - CODE 557 756	606
OUTLET HOSE KIT-SINGLE SPOOL - CODE 557 758	608
OUTLET HOSE KIT-SINGLE SPOOL - LAMBOURN CAB	610
OUTLET HOSE KIT-DOUBLE SPOOL - CODE 557 759	612
HOSE KIT-AUXILIARY FLOW	614
OIL PIPE KIT-HYDRAULIC LIFT COVER	616
OIL PIPE KIT-HYDRAULIC LIFT COVER - FOR U.K. ONLY	618
TRAILER BRAKING KIT - SANKEY CAB	620

TABLE OF CONTENT

00

TRAILER BRAKING KIT - SAFETY CAB	620
TRAILER BRAKING KIT - MECHANICAL BRAKES	624
CREEPER GEARBOX	630
TOOLS	634
TOOL BOX	636
TOP LINKS-STOWAGE HOOK	638
MOUNTING PLATE-NUMBER PLATE AND LIGHTS	640
TRACTOR CAB-KIT-'D' PLATE - FRANCE ONLY	642
REFLECTOR	644
SAFETY FRAME - ROOF ASSEMBLY	646
KIT, SAFETY FRAME-PEKO	648
SUN CANOPY KIT - CODE 557 262	650
SUN CANOPY KIT - WITH PEKO SAFETY FRAME	652

3-0115-026-A



MASSEY FERGUSON

MF 290 TRACTOR, |-> 387021 (GB) - 819704

819704

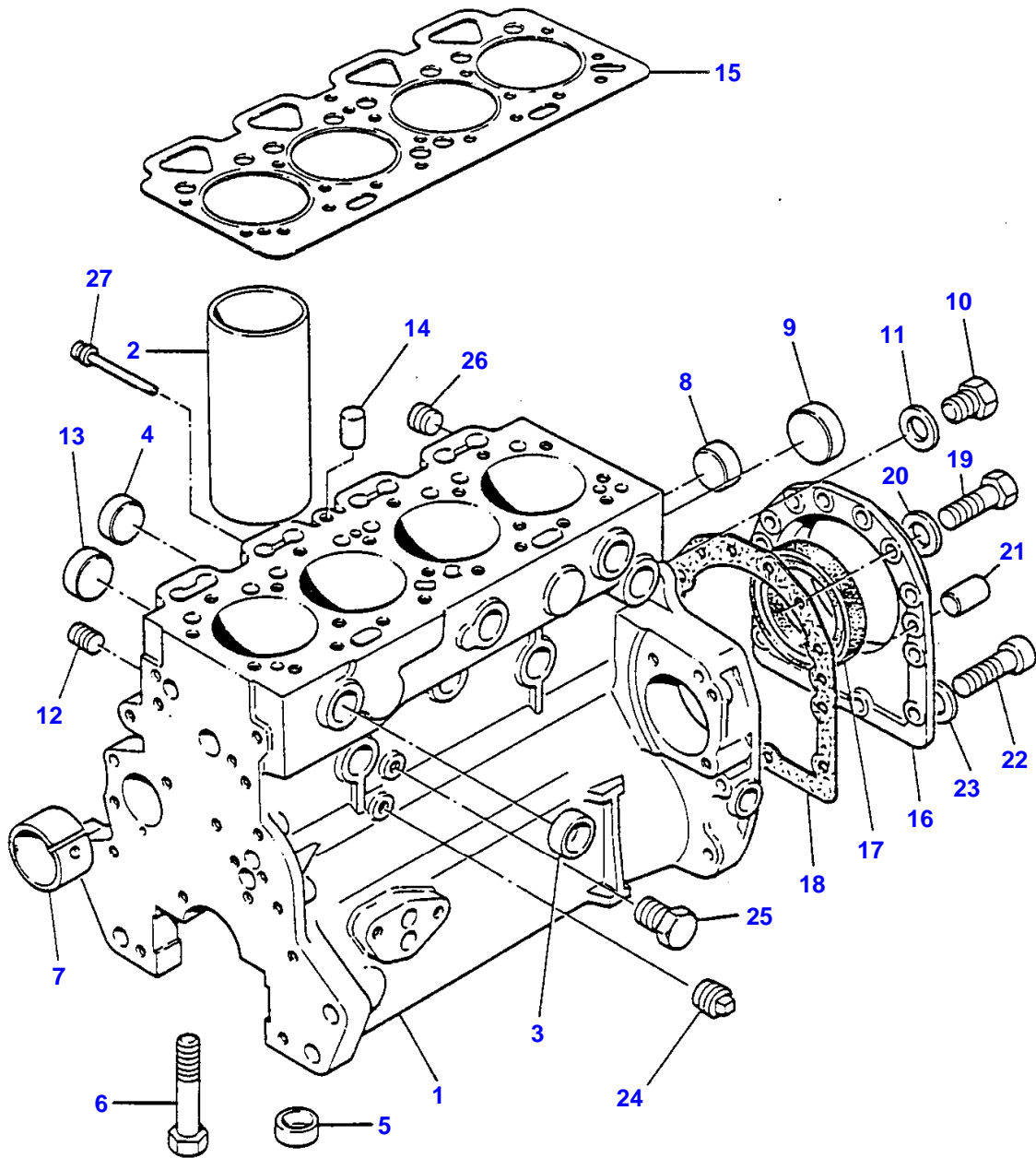
ENGINE INSTALLATION - A4.248 ENGINE

2

Item	Part Number	Qty	Description	Comments
				A4.248 ENGINE
1	1673037M92	1	Engine	PERKINS LIST. 22790
2	825302M1	2	Dowel	
3	828123M1	1	Bearing Assy	
4	353701X1	1	Screw Unc	
5	353704X1	1	Bolt Unc	
6	353708X1	2	Bolt Unc	
7	353711X1	2	Bolt Unc	
8	353704X1	2	Bolt Unc	
9	353711X1	2	Bolt Unc	
10	353708X1	3	Bolt Unc	
11	353564X1	1	Bolt Unf	
12	353426X1	1	Nut Unf	
13	2614B159	1	Belt	
14	1874995M92	1	Fan	
	1686506M91	1	Fan	(A)
15	353518X1	4	Screw Unf	
16	353446X1	4	Lock Washer	

(A)
SOUTH AFRICA

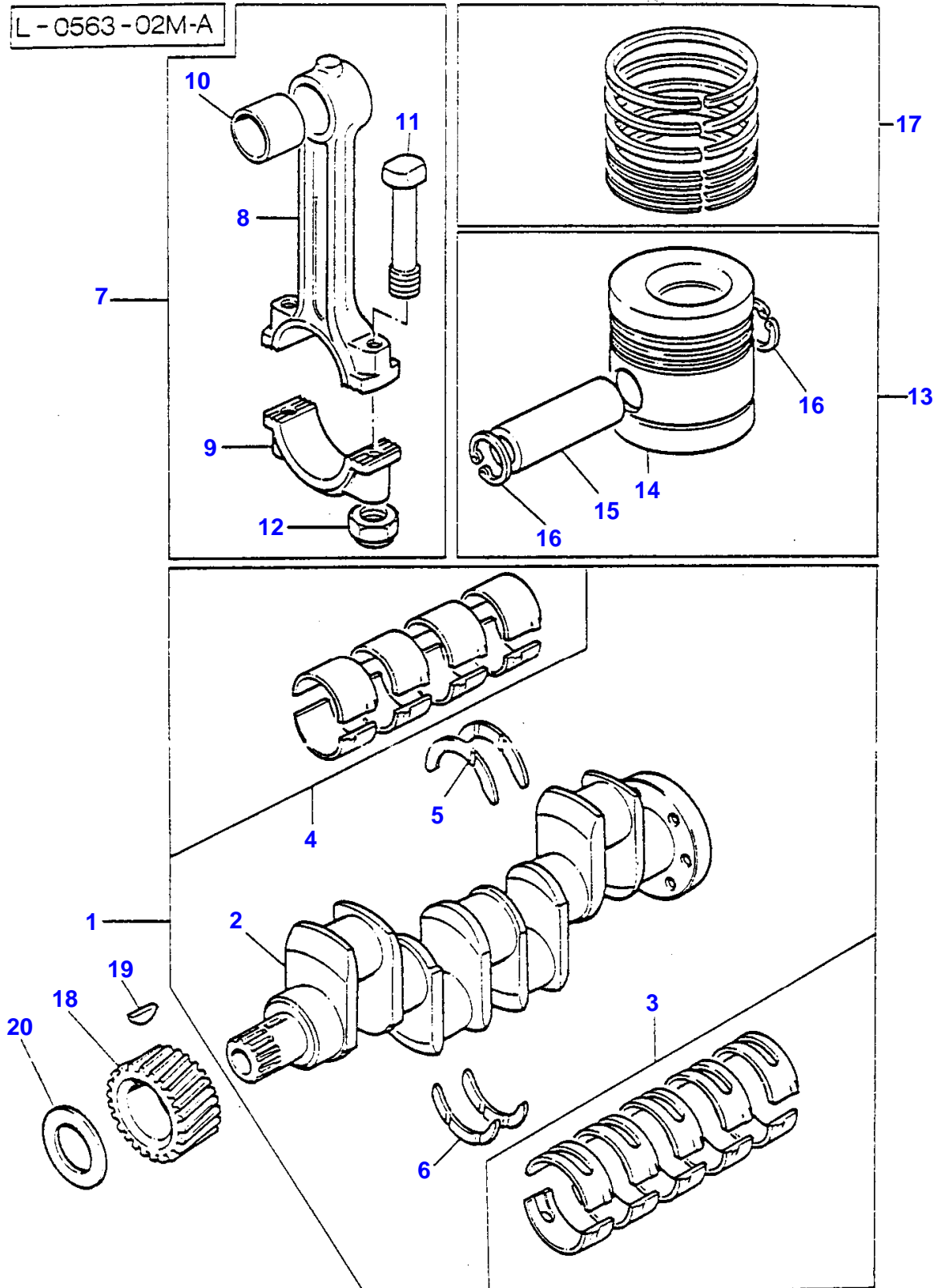
L-0560-03M-B



CYLINDER BLOCK - A4.248 ENGINE

Item	Part Number	Qty	Description	Comments
				A4.248 ENGINE
1	ZZ 50174	1	Kit,Cyl.Block	(C,D) Repairs and replaces ZZ50080/36 Repairs and replaces ZZ50022 Repairs and replaces U5BA0029
2	31358346	4	Liner	(1) (A,E)
2	31358352	X	Liner	(B,E)
	3135X033	4	Liner	(1) (A,F)
2	3135X034	X	Liner	(B,F)
3	0650710	6	Plug	(1) Repairs and replaces 0650563
4	32418117	4	Plug	(1) Repairs and replaces 0650618
5	33142111	10	Thimble	(1)
6	32166329	10	Bolt	(1)
7	31134164	1	Bush	(1) Repairs and replaces 31134163 Repairs and replaces 31134132
8	0650710	2	Plug	(1) Repairs and replaces 0650563
9	2485A204	1	Plug	(1)
10	0650582	1	Plug	
11	0920130	1	Washer	
12	32114501	1	Plug	
13	0650577	4	Plug	
14	32417134	1	Plug	
15	32416105	1	Plug	
16	4142V064	1	Housing	Repairs and replaces 4142V061 Repairs and replaces 4142V031
17	2418F475	1	Seal	(16) Repairs and replaces 2415391
18	36817157	1	Joint	
19	0746211	10	Bolt	
20	0920003	10	Washer	
21	0350009	2	Dowel	
22	2172530	2	Capscrew	
23	33112111	2	Washer	
24	0650594	1	Plug	
25	32161114	2	Plug	Repairs and replaces 32161357 Repairs and replaces 32161114
26	0650588	2	Plug	
27	36812349	1	Head Gasket	
				(A) PRESS FIT
				(B) SLIP FIT
				(C) WAS ZZ50022 USE ZZ50036/32166337(2)/32166338(12)/3 2166339(8).
				(D) WAS ZZ50036 USE ZZ50080 WITH 36812352/33153157/211 6053/2184634(3)
				(E) USED ONLY WITH ZZ50036/ZZ50022/U5BA0029
				(F) USED ONLY WITH ZZ50080

L - 0563 - 02M-A



Item	Part Number	Qty	Description	Comments
				A4.248 ENGINE
1	ZZ 90082	1	Kit, Crankshaft	Repairs and replaces ZZ90083 Repairs and replaces U5BG0026 Repairs and replaces 68609
2		1	Crankshaft	(1) Not serviced, order REF.1
3	81558	1	Kit, Bearing	(1) (A)
3	81558A	X	Kit, Bearing	(A) Thickness (-)0.25MM Thickness (-)0.010"
3	81558B	X	Kit, Bearing	(A) Thickness (-)0.50MM Thickness (-)0.020"
3	81558C	X	Kit, Bearing	(A) Thickness (-)0.75MM Thickness (-)0.030"
4	85042	1	Kit, Bearing	(1) (A)
4	85042A	X	Kit, Bearing	(A) Thickness (-)0.25MM Thickness (-)0.010"
4	85042B	X	Kit, Bearing	(A) Thickness (-)0.50MM Thickness (-)0.020"
4	85042C	X	Kit, Bearing	(A) Thickness (-)0.75MM Thickness (-)0.030"
5	31137551	2	Thrust Washer	(1) Repairs and replaces 31137311
5	31137312	X	Thrust Washer	Thickness (+)0.19MM Thickness (+)0.0075"
6	31137561	2	Thrust Washer	(1) Repairs and replaces 31137321
6	31137322	X	Thrust Washer	Thickness (+)0.19MM Thickness (+)0.0075"
7	ZZ 90009	4	Kit, Conrod	Repairs and replaces M7BJ0015
8		1	Conrod	(7) Not serviced, order REF.7
9		1	Cap	(7) Not serviced, order REF.7
10	31134123	1	Bush	(7)
11	32762144	2	Bolt	(7)
12	33221328	2	Nut	(7)
13	68318	4	Kit, Piston	(B,D,K)
	89207	4	Kit, Piston	(C,E,K)
	U5LU0005	4	Kit, Piston	(B,F,K)
	U5LP0009	4	Kit, Piston	(C,G,K)
14		1	Piston	(13) Not serviced, order REF.13
15		1	Pin	(13) Not serviced, order REF.13
16	0170002	2	Circlip	(13)
17	4181A009	4	Kit, Piston Ring	(H,K)
	41158022	4	Kit, Piston Ring	(J,K)
18	31171681	1	Gear,Crankshaft	28T
19	0500012	1	Woodruff Key	
20	33125416	1	Washer	

(A)
PRE-FINISHED

(B)
UNTOPPED

(C)
PRE-TOPPED

(D)

MASSEY FERGUSON

MF 290 TRACTOR, |-> 387021 (GB) - 819704

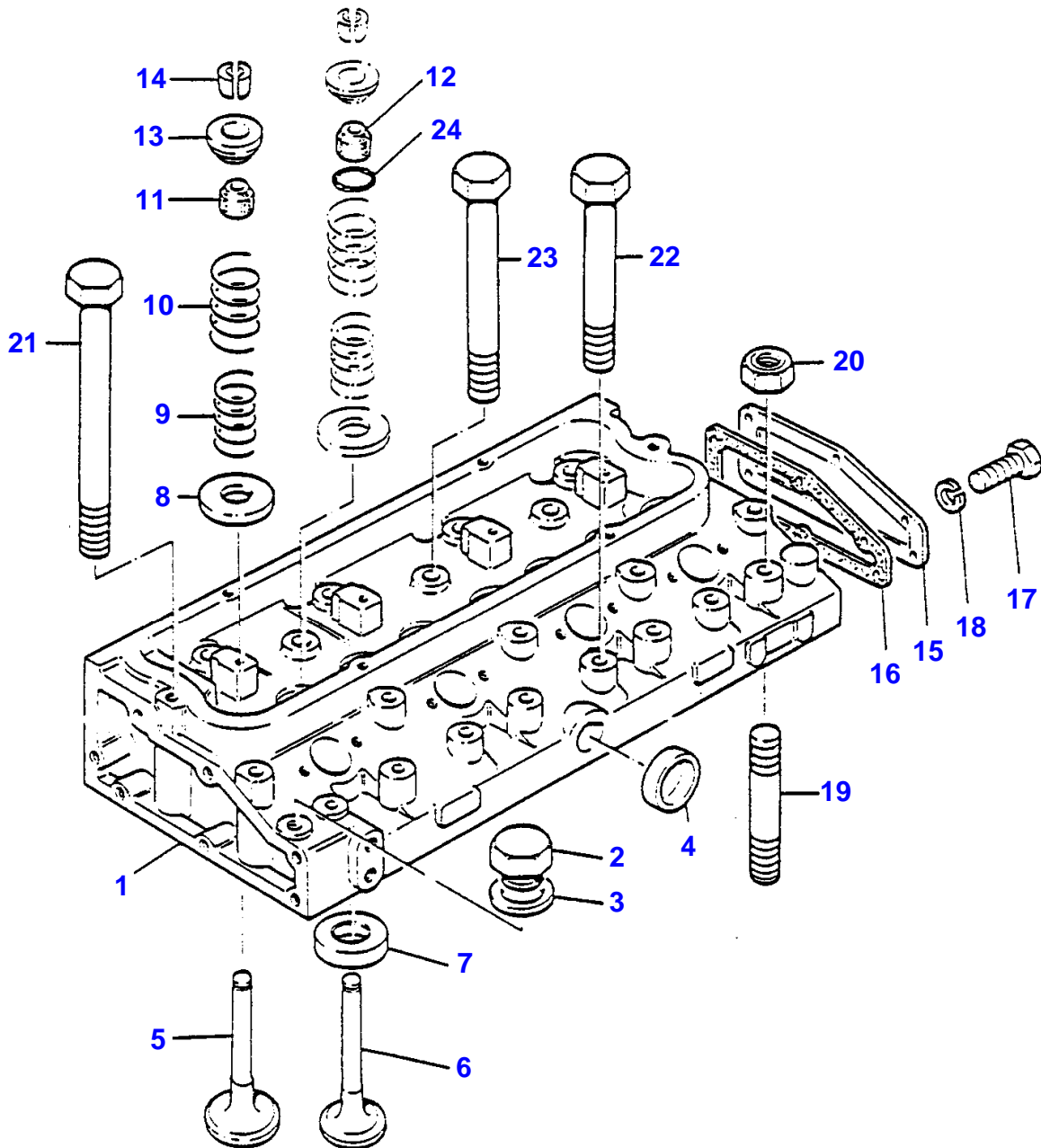
819704

CRANKSHAFT, PISTONS AND CONNECTING RODS - A4.248 ENGINE

6

Item	Part Number	Qty	Description	Comments
				USE U5LU0005 IN ENGINE SETS ONLY
				(E) USE U5LP0009 IN ENGINE SETS ONLY
				(F) REPLACES 68318 IN ENGINE SETS ONLY
				(G) REPLACES 89207 IN ENGINE SETS ONLY
				(H) USED ONLY WITH 68318-89207
				(J) USED ONLY WITH U5LU0005-U5LP0009
				(K) SEE PERKINS SERVICE BULLETIN NO.10 (ISSUE 2) CUT-I N FROM ENGINE NO.U839080J

L-0566-02M-A



Buy Now



Our support email:

ebooklibonline@outlook.com