

Page Title	Page Number
SECTION DIVIDER	1
SECTION DIVIDER	2
ENGINE - A6.354.4 ENGINE	3
CYLINDER BLOCK - A6.354.4 ENGINE	4
CRANKSHAFT, PISTONS AND CONNECTING RODS - A6.354.4 ENGINE	5
CYLINDER HEAD - A6.354.4 ENGINE	6
ROCKER SHAFT - A6.354.4 ENGINE	7
TIMING GEAR AND CAMSHAFT - A6.354.4 ENGINE	8
AUXILIARY DRIVE - A6.354.4 ENGINE	9
FUEL INJECTION EQUIPMENT (DIESEL) - A6.354.4 ENGINE	10
LUBRICATING OIL SUMP - A6.354.4 ENGINE	11
LUBRICATING OIL FILTER AND INTEGRAL COOLER - A6.354.4 ENGINE	12
WATER PUMP, THERMOSTAT AND HEAT EXCHANGER - A6.354.4 ENGINE	13
AIR INDUCTION AND EXHAUST SYSTEM	14
LOW PRESSURE FUEL SYSTEM - A6.354.4 ENGINE	15
STARTER MOTOR - A6.354.4 ENGINE	16
ALTERNATOR AND GENERATOR - A6.354.4 ENGINE	17
JOINTS AND GASKETS - AT6.354.4 ENGINE	18
SECTION DIVIDER	19
ENGINE - AT6.354.4 ENGINE	20
CYLINDER BLOCK - AT6.354.4 ENGINE	21
CRANKSHAFT, PISTONS AND CONNECTING RODS - AT6.354.4 ENGINE	22
CYLINDER HEAD - AT6.354.4 ENGINE	23
ROCKER SHAFT - AT6.354.4 ENGINE	24
TIMING GEAR AND CAMSHAFT - AT6.354.4 ENGINE	25
AUXILIARY DRIVE - AT6.354.4 ENGINE	26
FUEL INJECTION EQUIPMENT (DIESEL) - AT6.354.4 ENGINE	27
LUBRICATING OIL SUMP - AT6.354.4 ENGINE	28
LUBRICATING OIL FILTER AND INTEGRAL COOLER - AT6.354.4 ENGINE-ALL COMBINES EXCEPT SERIAL NUMBER S 38264,38265 AND 38266	29
LUBRICATING OIL FILTER AND INTEGRAL COOLER - A6.354.4 ENGINE-SERIAL NUMBERS 38264,38265 AND 382 66 ONLY	30
WATER PUMP, THERMOSTAT AND HEAT EXCHANGER - AT6.354.4 ENGINE	31
AIR INDUCTION AND EXHAUST SYSTEM - A6.354.4 ENGINE-SERIAL NUMBERS 38264,38265 AND 382 66 ONLY	32
TURBOCHARGER - AT6.354.4 ENGINE-ALL COMBINES EXCEPT SERIAL NUMBER S 38264,38265 AND 38266	33
TURBOCHARGER-INLET AND EXHAUST MANIFOLD - AT6.354.4 ENGINE-ALL COMBINES EXCEPT SERIAL NUMBER S 38264,38265 AND 38266	34
TURBOCHARGER-PIPES AND HEAT SHIELDS - AT6.354.4 ENGINE-ALL COMBINES EXCEPT SERIAL NUMBER S 38264,38265 AND 38266	35
LOW PRESSURE FUEL SYSTEM - AT6.354.4 ENGINE	36
COLD START SYSTEM - AT6.354.4 ENGINE	37
STARTER MOTOR - AT6.354.4 ENGINE	38
ALTERNATOR AND GENERATOR - AT6.354.4 ENGINE	39
JOINTS AND GASKETS - AT6.354.4 ENGINE	40
SECTION DIVIDER	41
ENGINE - AT6.354.4 ENGINE	42
CYLINDER BLOCK - AT6.354.4 ENGINE	43
CRANKSHAFT, PISTONS AND CONNECTING RODS - AT6.354.4 ENGINE	44
CYLINDER HEAD - AT6.354.4 ENGINE	45
ROCKER SHAFT - AT6.354.4 ENGINE	46
TIMING GEAR AND CAMSHAFT - AT6.354.4 ENGINE	47
AUXILIARY DRIVE - AT6.354.4 ENGINE	48
FUEL INJECTION EQUIPMENT (DIESEL) - AT6.354.4 ENGINE	49
LUBRICATING OIL SUMP - AT6.354.4 ENGINE	50
LUBRICATING OIL FILTER AND INTEGRAL COOLER - AT6.354.4 ENGINE	51
WATER PUMP, THERMOSTAT AND HEAT EXCHANGER - AT6.354.4 ENGINE	52
TURBOCHARGER - AT6.354.4 ENGINE	53
TURBOCHARGER-INLET AND EXHAUST MANIFOLD - AT6.354.4 ENGINE	54
TURBOCHARGER-PIPES AND HEAT SHIELDS - AT6.354.4 ENGINE	55
TURBOCHARGER-PIPES AND HEAT SHIELDS CONT'D - AT6.354.4 ENGINE	56
LOW PRESSURE FUEL SYSTEM - AT6.354.4 ENGINE	57
COLD START SYSTEM - AT6.354.4 ENGINE	58
STARTER MOTOR - AT6.354.4 ENGINE	59
ALTERNATOR AND GENERATOR - AT6.354.4 ENGINE	60
JOINTS AND GASKETS - AT6.354.4 ENGINE	61
SECTION DIVIDER	62

TABLE OF CONTENT

ENGINE - AT6.354.4 ENGINE	63
CYLINDER BLOCK - AT6.354.4 ENGINE	64
CRANKSHAFT, PISTONS AND CONNECTING RODS - AT6.354.4 ENGINE	65
CYLINDER HEAD - AT6.354.4 ENGINE	66
ROCKER SHAFT - AT6.354.4 ENGINE	67
TIMING GEAR AND CAMSHAFT - AT6.354.4 ENGINE	68
AUXILIARY DRIVE - AT6.354.4 ENGINE	69
FUEL INJECTION EQUIPMENT (DIESEL) - AT6.354.4 ENGINE	70
LUBRICATING OIL SUMP - AT6.354.4 ENGINE	71
LUBRICATING OIL FILTER AND INTEGRAL COOLER - AT6.354.4 ENGINE	72
WATER PUMP, THERMOSTAT AND HEAT EXCHANGER - AT6.354.4 ENGINE	73
TURBOCHARGER - AT6.354.4 ENGINE	74
TURBOCHARGER-INLET AND EXHAUST MANIFOLD - AT6.354.4 ENGINE	75
TURBOCHARGER-PIPES AND HEAT SHIELDS - AT6.354.4 ENGINE	76
TURBOCHARGER-PIPES AND HEAT SHIELDS CONT'D - AT6.354.4 ENGINE	77
LOW PRESSURE FUEL SYSTEM - AT6.354.4 ENGINE	78
COLD START SYSTEM - AT6.354.4 ENGINE	79
STARTER MOTOR - AT6.354.4 ENGINE	80
ALTERNATOR AND GENERATOR - AT6.354.4 ENGINE	81
JOINTS AND GASKETS - AT6.354.4 ENGINE	82

3-0001-066-A

FOR USE WITH PARTS BOOKS:-

A UTILISER AVEC LE CATALOGUE:-

**FUER VERWENDUNG MIT DER
ERSATZTEILLISTE NUMMER:-**

- 819 723 M5 - ● MF24 COMBINE
● MF24 MOISSONNEUSE-BATTEUSE
● MF24 MAEHDRESCHER

- 819 724 M5 - ● MF27 COMBINE
● MF27 MOISSONNEUSE-BATTEUSE
● MF27 MAEHDRESCHER

- 819 725 M5 - ● MF29/29XP COMBINE
● MF29/29XP MOISSONNEUSE-BATTEUSE
● MF29/29XP MAEHDRESCHER

- 819 726 M5 - ● MF31/31XP COMBINE
● MF31/31XP MOISSONNEUSE-BATTEUSE
● MF31/31XP MAEHDRESCHER

- 1810 921 M1 - ● MF38 COMBINE
● MF38 MOISSONNEUSE - BATTEUSE
● MF38 MAEHDRESCHER

MASSEY FERGUSON

MF 24/27/29/29 XP/31/31 XP COMBINE ENGINES, PERKINS - 819728

819728

SECTION DIVIDER

1

Description

3-0001-061-A

ENGINE T6.354.4

MOTEUR T6.354.4

MOTOR T6.354.4

MF 24

MASSEY FERGUSON

MF 24/27/29/29 XP/31/31 XP COMBINE ENGINES, PERKINS - 819728

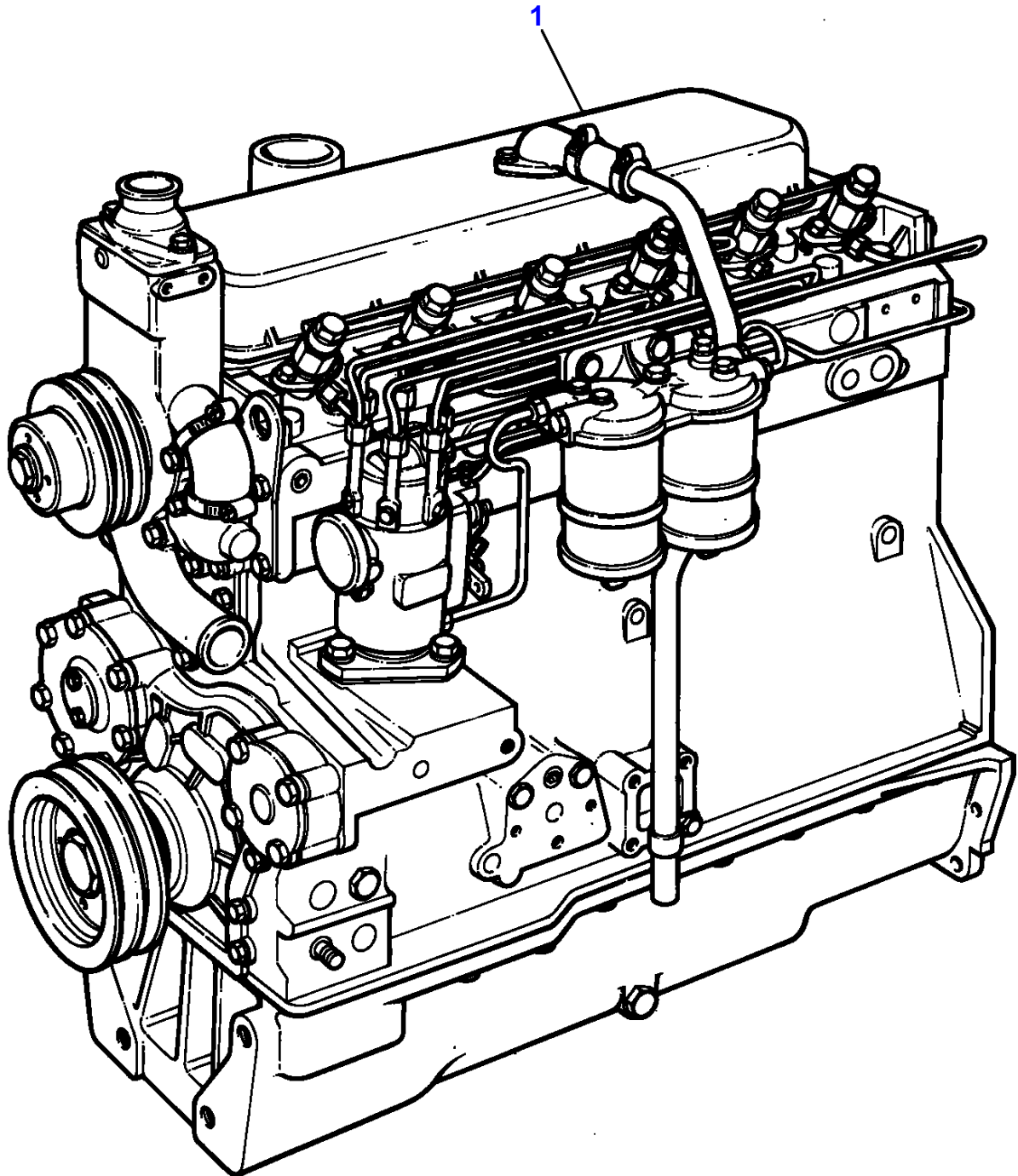
819728

SECTION DIVIDER

2

Description

T-0011-11M-A



MASSEY FERGUSON

MF 24/27/29/29 XP/31/31 XP COMBINE ENGINES, PERKINS - 819728

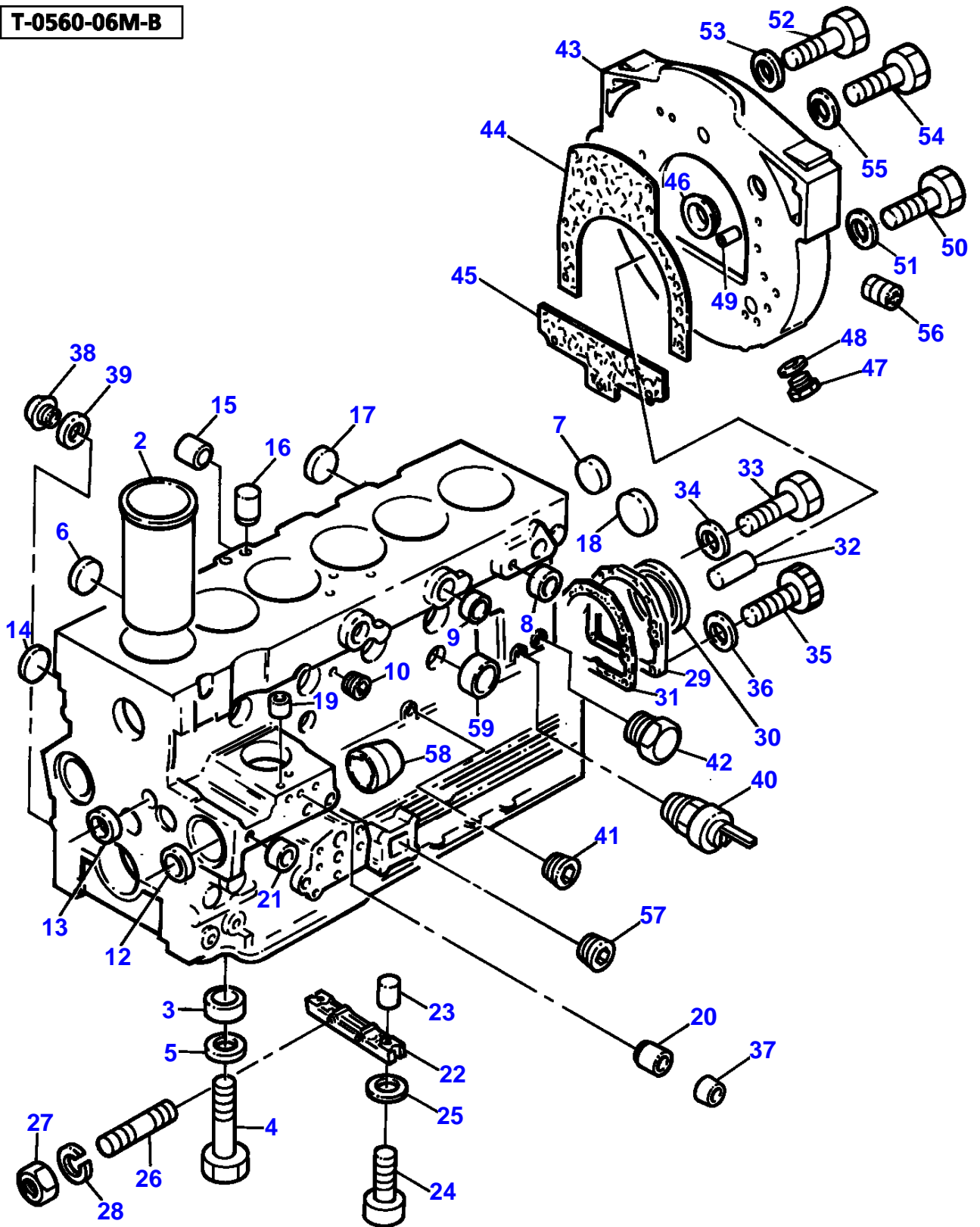
819728

ENGINE - A6.354.4 ENGINE

3

Item	Part Number	Qty	Description	Comments
				A6.354.4 ENGINE
1	3640882M91	1	Engine	(A) (A) FOR MF 24 ONLY

T-0560-06M-B



CYLINDER BLOCK - A6.354.4 ENGINE

Item	Part Number	Qty	Description	Comments
				A6.354.4 ENGINE
1	3637375M91	1	Cylinder Block	
2	744131M1	6	Liner	(1) (A)
2	744948M1	X	Liner	(B)
	3638705M1	X	Liner	Repairs and replaces 745340M1 Thickness (+) 0.010" Thickness (+) 0.25MM
3	733072M1	14	Ring	(1)
4	1476108X1	14	Screw	(1)
5	1476177X1	14	Washer	(1)
6	735944M1	6	Plug	(1)
7	735944M1	2	Plug	(1)
8	731999M1	1	Plug	(1) Repairs and replaces 731355M1
9	731354M1	4	Plug	(1)
10	1476192X1	1	Plug	(1)
11	747854M1	5	Plug	(1)
12	733855M1	1	Plug	
13	731356M1	2	Plug	
14	731354M1	1	Plug	
15	736867M1	1	Plug	
16	736868M1	1	Plug	
17	735944M1	5	Plug	
18	733705M1	1	Plug	
19	736868M1	1	Plug	
20	736868M1	1	Plug	
21	736557M1	2	Plug	
22	3637336M1	1	Bridge Piece	Repairs and replaces 3638829M1
23	733721M1	2	Joint	(C)
24	3640667M1	2	Screw	Repairs and replaces 376572X1
25	735898M1	2	Washer	(C)
26	731647M1	2	Stud	
27	353916X1	2	Nut Unf	
28	1650484M1	2	Washer	
29	3638347M91	1	Housing	Repairs and replaces 748163M91 Repairs and replaces 3640300M1 (29)
30	1447691M1	1	Seal	
31	740828M1	1	Joint	
32	731947M1	2	Dowel	
33	353519X1	10	Screw Unf	
34	375703X1	10	Washer	
35	357987X1	2	Bolt	
36	745015M1	2	Washer	
37	742192M1	1	Plug	
38	3638753M1	4	Plug	Repairs and replaces 747755M91
39	376178X1	4	Washer	
40	1446108M91	1	Switch	
41	731996M1	1	Plug	Repairs and replaces 365332X1
42	376670X1	2	Plug	Repairs and replaces 3639917M1
43	3640800M1	1	Flywheel Housing	
44	3640801M1	1	Joint	Up to Serial or Engine Number 30/06/89
	3640802M1	1	Joint	From Serial or Engine Number 01/07/89
45	3640803M1	1	Joint	
46	3640804M1	1	Plug	
47	731410M1	1	Plug	
48	376178X1	1	Washer	
49	1028450M1	2	Dowel	
50	353691X1	3	Screw Unc	
51	1650486M1	3	Washer	
52	3640806M1	2	Screw	
53	1476033X1	2	Washer	
54	376545X1	4	Bolt	
55	1476033X1	4	Washer	
56	1476123X1	6	Plug	
57	1476192X1	1	Plug	
58	741319M1	1	Cover	
59	735944M1	1	Plug	

MASSEY FERGUSON

MF 24/27/29/29 XP/31/31 XP COMBINE ENGINES, PERKINS - 819728

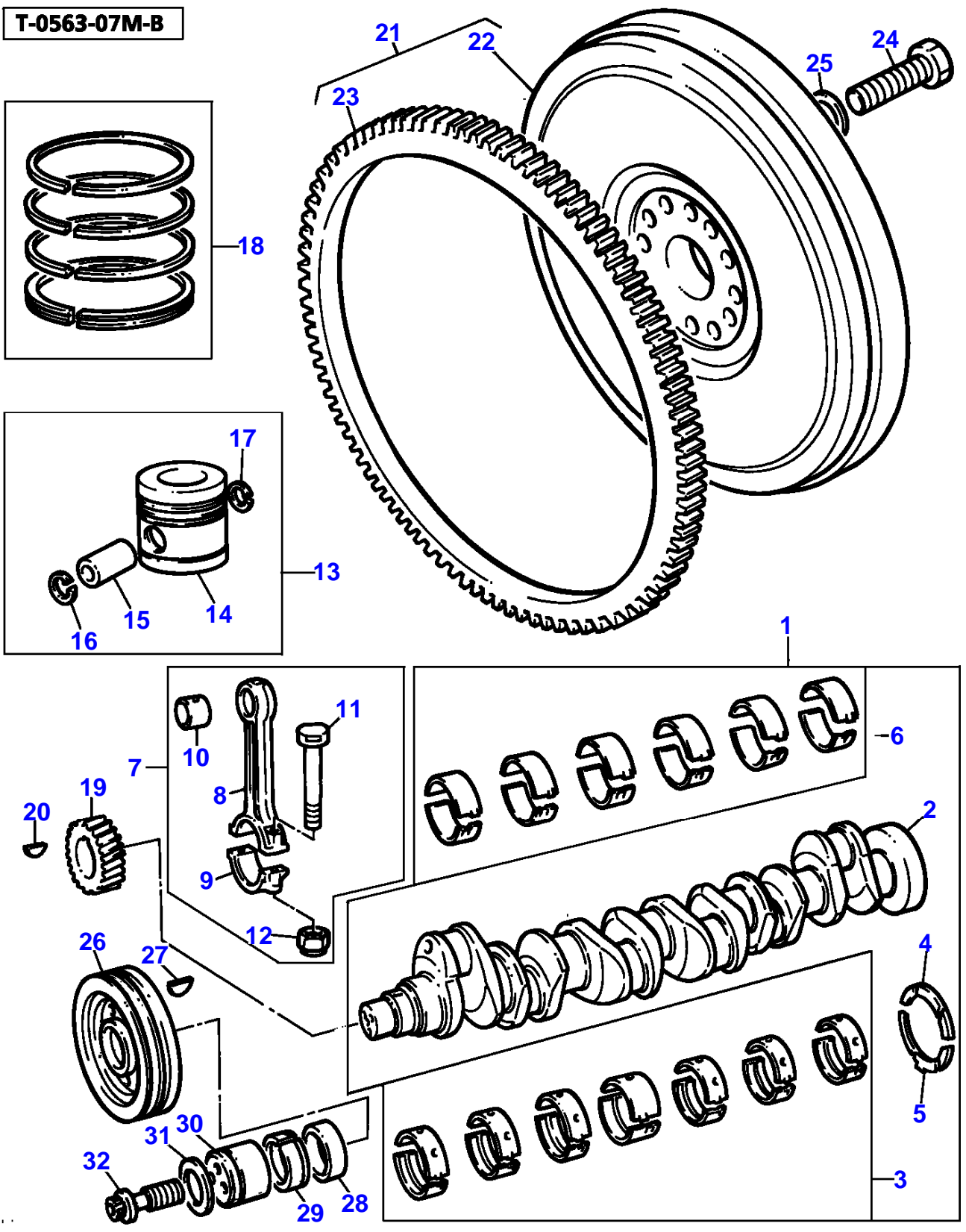
819728

CYLINDER BLOCK - A6.354.4 ENGINE

4

Item	Part Number	Qty	Description	Comments
				(A) PRESS FIT
				(B) SLIP FIT
				(C) NOT REQUIRED WITH 3638829M1/3637336M1

T-0563-07M-B



Item	Part Number	Qty	Description	Comments
				A6.354.4 ENGINE
1	3637408M91	1	Kit, Crankshaft	
2		1	Crankshaft	(1) Not serviced, order REF.1
3	744921M91	1	Kit, Bearing	(1) (A)
3	744922M91	X	Kit, Bearing	(A) Thickness (-)0.25MM Thickness (-)0.010"
3	744923M91	X	Kit, Bearing	(A) Thickness (-)0.50MM Thickness (-)0.020"
3	744924M91	X	Kit, Bearing	(A) Thickness (-)0.75MM Thickness (-)0.030"
4	747128M1	2	Washer	(1)
	735742M1	X	Washer	Thickness (+)0.19MM Thickness (+)0.0075"
5	747129M1	2	Washer	(1)
	735743M1	X	Washer	Thickness (+)0.19MM Thickness (+)0.0075"
6	736934M91	1	Kit, Bearing	(1) (A)
6	736935M91	X	Kit, Bearing	(A) Thickness (-)0.25MM Thickness (-)0.010"
6	736936M91	X	Kit, Bearing	(A) Thickness (-)0.50MM Thickness (-)0.020"
6	736937M91	X	Kit, Bearing	(A) Thickness (-)0.75MM Thickness (-)0.030"
7	3637034M91	6	Kit, Conrod	
8		1	Rod	(7) Not serviced, order REF.7
9		1	Cap	(7) Not serviced, order REF.7
10	733767M1	1	Bush	(7)
11	3637029M1	2	Bolt	(7)
12	3637030M1	2	Nut	(7)
13	743127M91	6	Piston	(B)
	743128M91	X	Kit, Piston	(B) Thickness (+)0.75MM Thickness (+)0.030"
13	738871M91	6	Piston	(C)
	738872M91	X	Kit, Piston	(C) Thickness (+)0.75MM Thickness (+)0.030"
14		1	Piston	(13) Not serviced, order REF.13
15		1	Pin	(13) Not serviced, order REF.13
16	376131X1	1	Clip	(13)
17	376131X1	1	Clip	(13)
18	745746M91	6	Kit, Piston Ring	
	745777M91	X	Kit, Piston Ring	Thickness (+)0.75MM Thickness (+)0.030"
19	733757M1	1	Gear	28T
	3637519M1	1	Gear	(F,G) 28T
20	2196X	1	Key	(G)
21	747079M91	1	Flywheel	
22		1	Flywheel	(21) Not serviced, order REF.21
23	738588M1	1	Gear	(21) Number of teeth/spines 126
24	375833X1	12	Screw	
25	745365M1	12	Washer	Repairs and replaces 737514M1
26	1447654M1	1	Pulley	

MASSEY FERGUSON

MF 24/27/29/29 XP/31/31 XP COMBINE ENGINES, PERKINS - 819728

819728

CRANKSHAFT, PISTONS AND CONNECTING RODS - A6.354.4 ENGINE

5

Item	Part Number	Qty	Description	Comments
27	11940X	1	Woodruff Key	
28	743014M1	1	Spacer	
29	1447128M1	1	Element	
30	742536M1	1	Thrust Plate	
31	1447207M1	1	O Ring	
32	748074M1	3	Screw	

(A)
PRE-FINISHED

(B)
UNTOPPED

(C)
PRE-TOPPED

(F)
USED ONLY WITH 3637408M91

(G)
ALSO INCLUDED IN 3637408M91

Buy Now



Our support email:

ebooklibonline@outlook.com