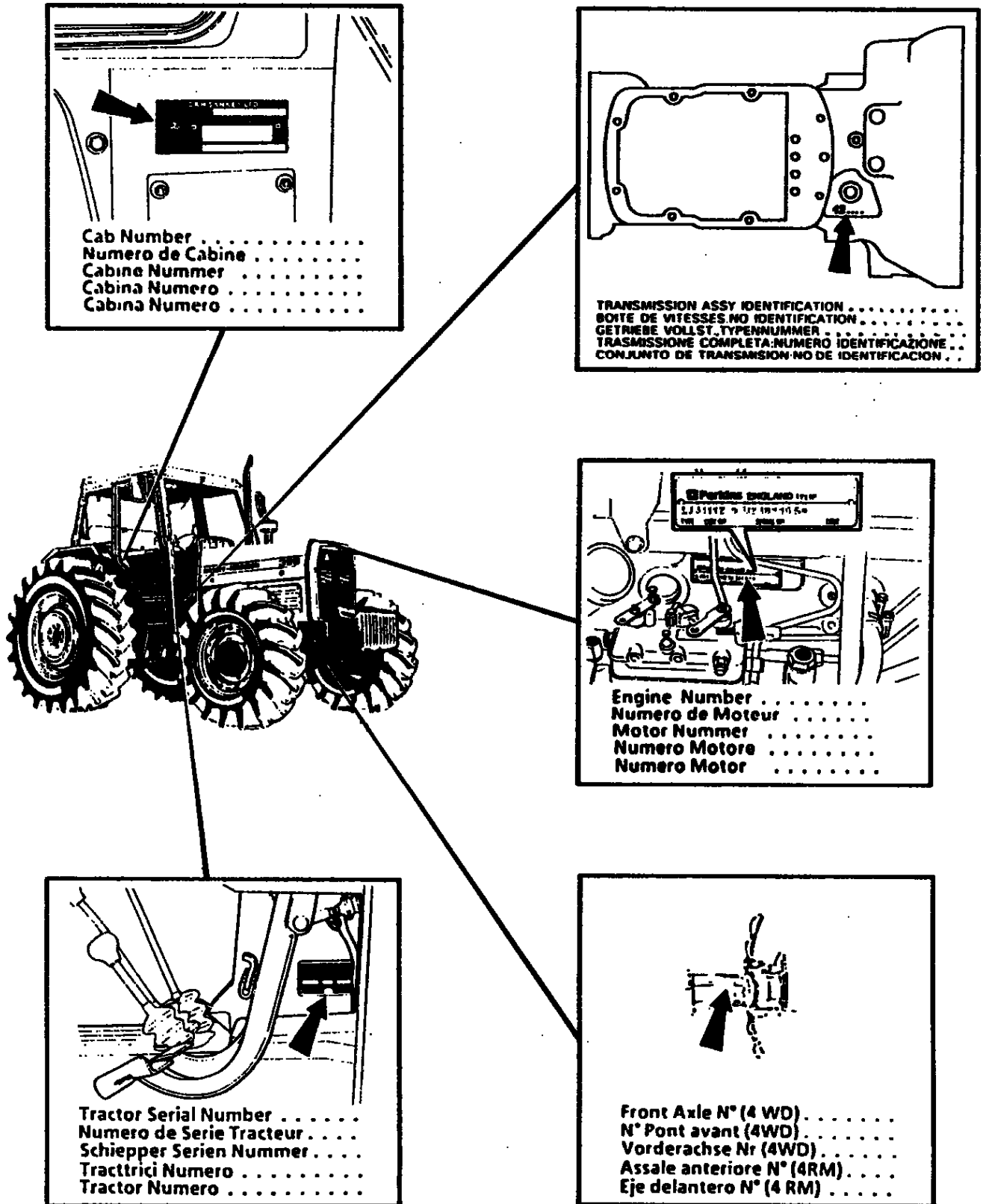


3-0001-085-B



Cab Number
 Numero de Cabine
 Cabine Nummer
 Cabina Numero
 Cabina Numero

TRANSMISSION ASSY IDENTIFICATION
 BOITE DE VITESSES NO IDENTIFICATION
 GETRIEBE VOLLST. TYPENNUMMER
 TRASMISSIONE COMPLETA:NUMERO IDENTIFICAZIONE
 CONJUNTO DE TRANSMISION NO DE IDENTIFICACION

Engine Number
 Numero de Moteur
 Motor Nummer
 Numero Motore
 Numero Motor

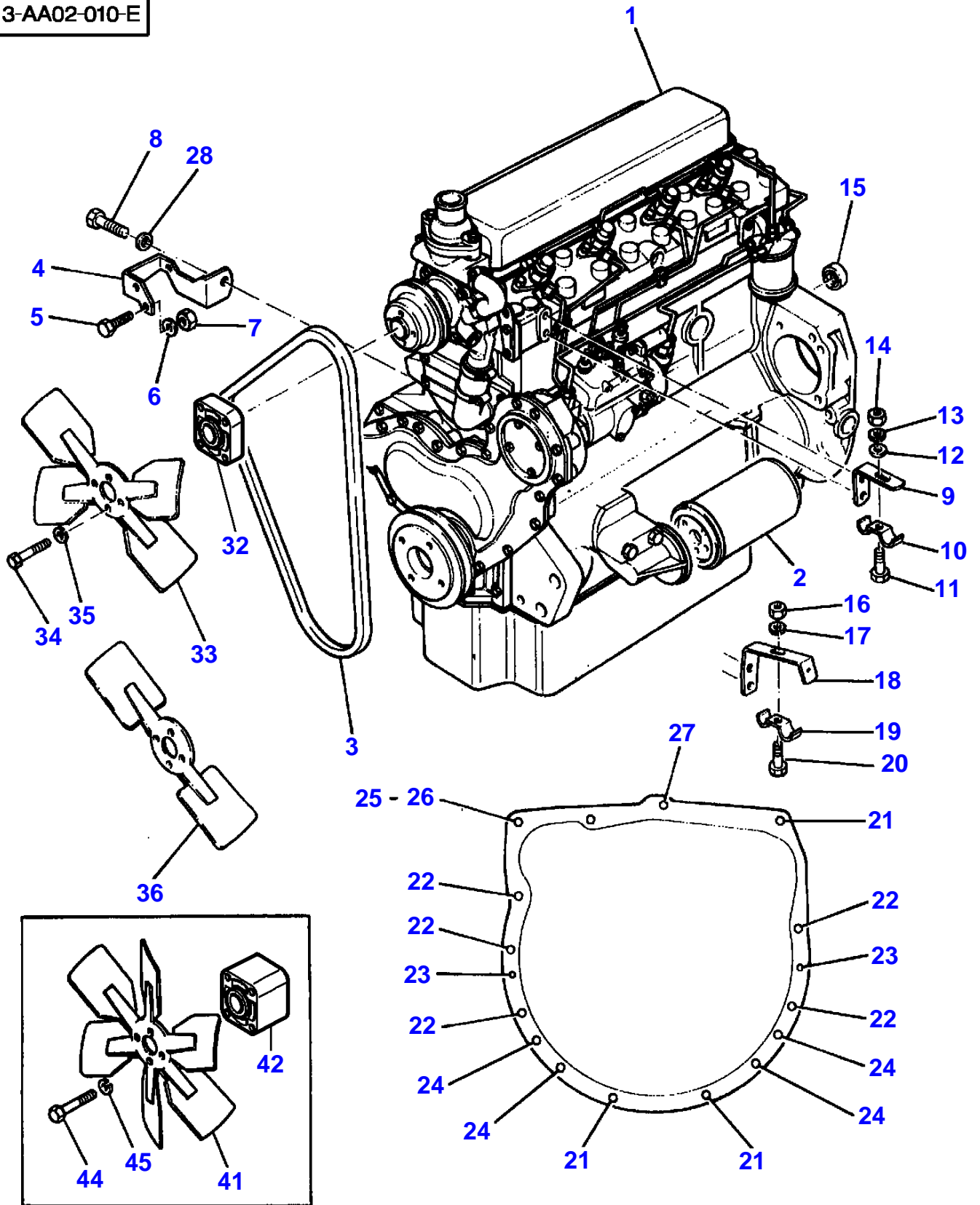
Tractor Serial Number
 Numero de Serie Tracteur
 Schiepper Serien Nummer
 Tracttrici Numero
 Tractor Numero

Front Axle N° (4 WD)
 N° Pont avant (4WD)
 Vorderachse Nr (4WD)
 Assale anteriore N° (4RM)
 Eje delantero N° (4 RM)

SECTION DIVIDER

Description	Comments
.	For UK only or any text in English only SERIAL NUMBERS
.	For France only or any text in French only NUMEROS DE SERIES
.	For Germany only or any text in German only SERIEN NUMMER
.	For Italy only or any text in Italian only MATR.O NUMERO
.	E NUMERO SERIE

3-AA02-010-E



ENGINE INSTALLATION

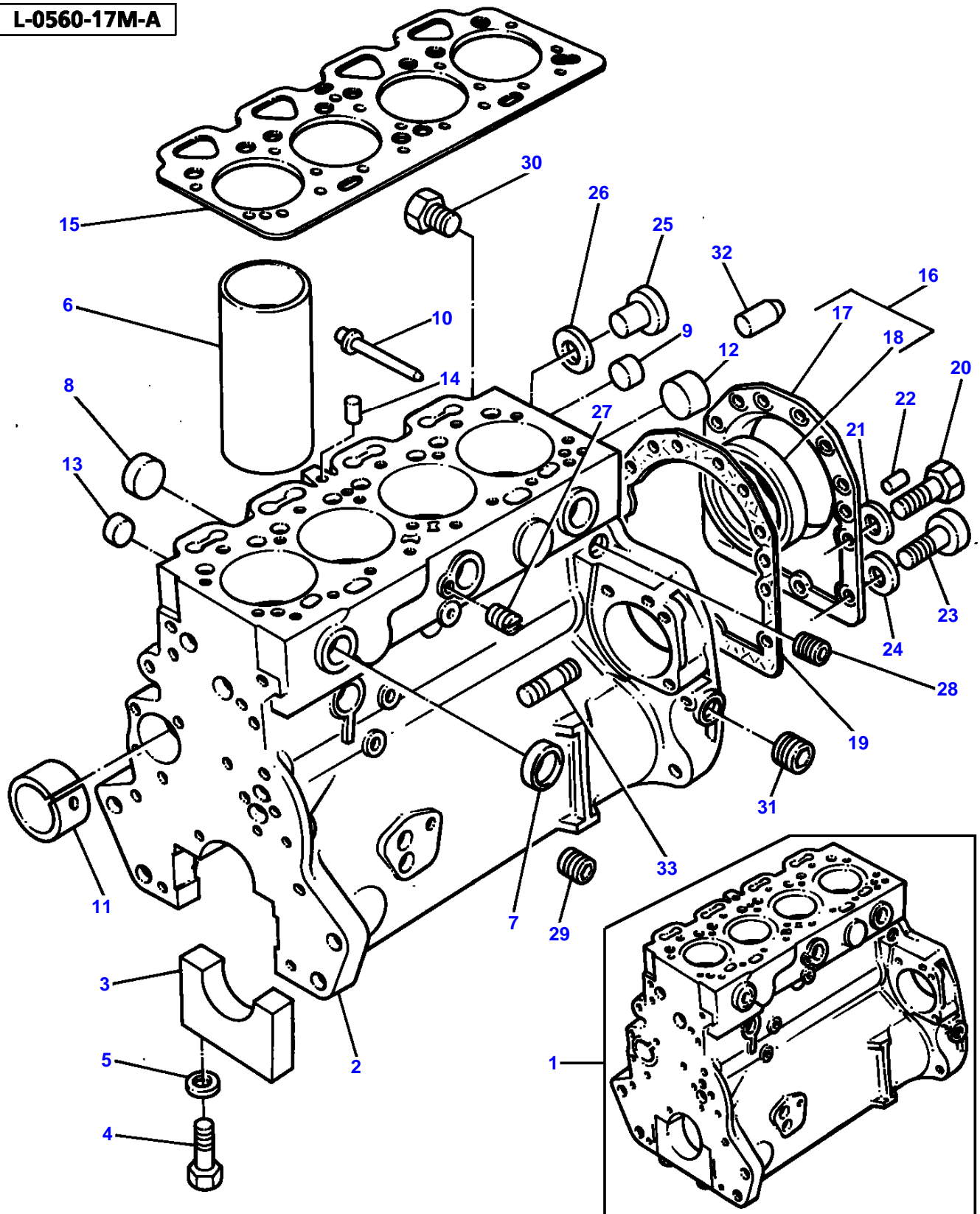
Item	Part Number	Qty	Description	Comments
1	1694430M91	1	Engine	PEL - LF31141
	3596123M91	1	Engine	PEL - LF31186
	3612675M91	1	Engine	(A) PEL LF31249
1	3478238M91	1	Short Engine	PEL - 39308
2	1447048M1	1	Oil Filter	
3	1693745M1	1	V Belt	
	1687610M91	1	Kit, Belt	(A)
4	1694276M4	1	Bracket	
5	376334X1	1	Screw Unc	
6	353755X1	1	Washer	
7	355565X1	1	Nut Unc	
8	353536X1	1	Screw Unf	
9	1696465M2	1	Bracket	Up to Serial or Engine Number
10	1696871M1	1	Clip	Up to Serial or Engine Number
11	339123X1	1	Screw Metric	Up to Serial or Engine Number
12	390972X1	1	Washer Metric	Up to Serial or Engine Number
13	339374X1	1	Lock Washer	Up to Serial or Engine Number
14	339169X1	1	Nut Metric	Up to Serial or Engine Number
15	828123M2	1	Bearing Assy	
16	339030X1	1	Nut Metric	From Serial or Engine Number
17	339375X1	1	Lock Washer	From Serial or Engine Number
18	3612888M1	1	Bracket	From Serial or Engine Number
19	1876383M1	1	Clamp	From Serial or Engine Number
20	3001753X1	1	Screw Metric	From Serial or Engine Number
21	3019851X1	3	Bolt Metric	
22	3019853X1	5	Bolt Metric	
23	825302M1	2	Dowel	
24	3019855X1	4	Bolt Metric	
25	3019878X1	1	Bolt Metric	
26	3019862X1	1	Nut Metric	
27	3019858X1	1	Bolt Metric	
28	353756X1	1	Washer	
32	3638564M1	1	Spacer	Thickness 17,7MM
33	1695933M1	1	Fan	4 BLADE
34	353521X1	4	Bolt Unf	
35	353446X1	4	Lock Washer	
36	3614283M1	1	Fan	(B)
41	3637938M1	1	Fan	(A)
42	3759095M1	1	Spacer	(A) Thickness 40,7MM
44	353446X1	4	Lock Washer	(A)
45	353527X1	4	Screw	(A)

..

(A)
WITH AIR CONDITIONING

(B)
SCANDINAVIA ONLY

L-0560-17M-A



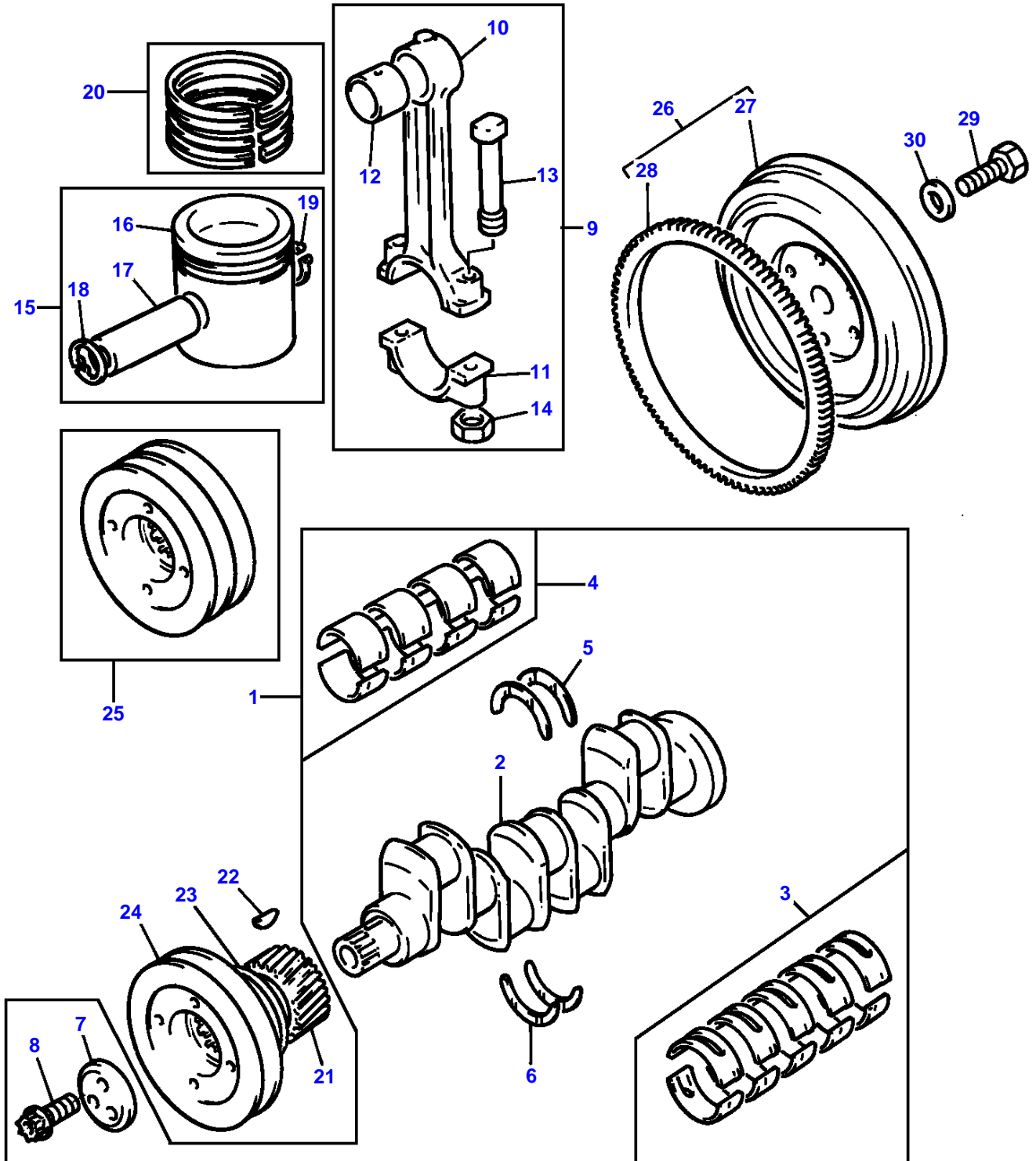
CYLINDER BLOCK - A4.248 ENGINE

Item	Part Number	Qty	Description	Comments
				A4.248 ENGINE
1	3637491M91	1	Cylinder Block	
2		1	Cylinder Block	(1) Not serviced, order REF.1
3		5	Bearing Cap	(1) Not serviced, order REF.1
4	1476108X1	10	Screw	(1)
5	733072M1	10	Ring	(1)
6	3637333M1	4	Liner	(1) (A)
6	3637034M1	X	Liner	(B)
7	731354M1	6	Plug	(1)
8	735944M1	4	Plug	(1)
9	731354M1	2	Plug	(1)
10	1476282X1	1	Plug	(1)
11	3638579M1	1	Bush	(1) Repairs and replaces 3638093M1 Repairs and replaces 734883M1
12	733705M1	1	Plug	
13	735869M1	4	Plug	
14	736868M1	1	Plug	
15	3638358M1	1	Head Gasket	Repairs and replaces 3637341M1
16	3638347M91	1	Housing	Repairs and replaces 748163M91
17		1	Housing	(16) Not serviced, order REF.16
18	1447691M1	1	Seal	(16)
19	740828M1	1	Joint	
20	353519X1	10	Screw Unf	
21	375703X1	10	Washer	
22	731947M1	2	Dowel	
23	357987X1	2	Bolt	
24	745015M1	2	Washer	
25	376180X1	1	Plug	
26	376196X1	1	Washer	
27	748040M1	1	Plug	
28	733067M1	2	Plug	
29	731996M1	1	Plug	Repairs and replaces 3638540M1
30	3637016M1	3	Plug	
31	733067M1	1	Plug	
32	745017M1	1	Pointer	
33	731862M1	3	Stud	

(A)
PRESS FIT

(B)
SLIP FIT

L-0563-15M-B

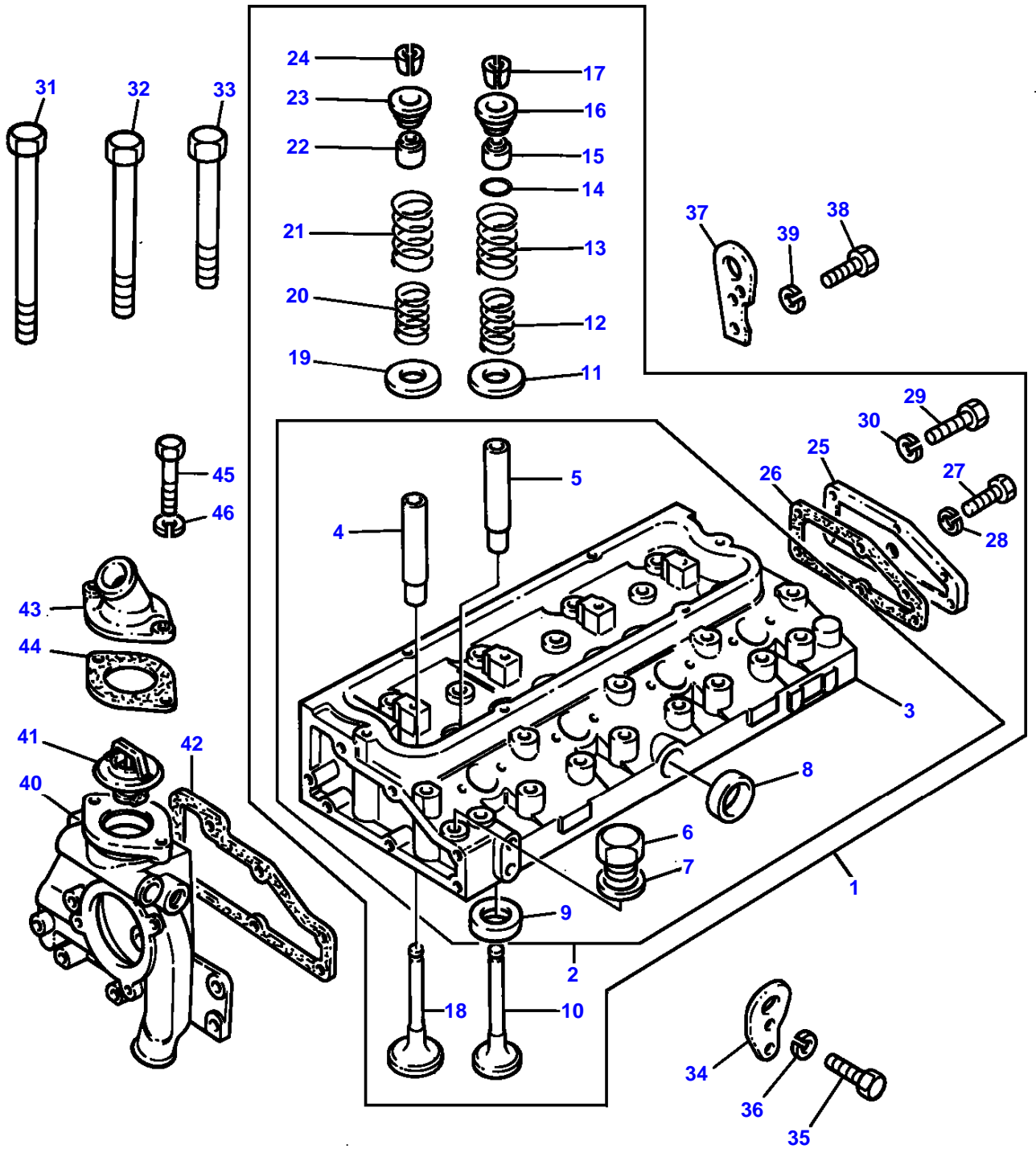


CRANKSHAFT, PISTONS AND CONNECTING RODS - A4.248 ENGINE

Item	Part Number	Qty	Description	Comments
				A4.248 ENGINE
1	3637402M91	1	Kit, Crankshaft	
2		1	Crankshaft	(1) Not serviced, order REF.1
3	735168M91	1	Kit, Bearing	(1) (A)
3	735169M91	X	Kit, Bearing	(A) Thickness (-)0.25MM Thickness (-)0.010"
3	735170M91	X	Kit, Bearing	(A) Thickness (-)0.50MM Thickness (-)0.020"
3	735171M91	X	Kit, Bearing	(A) Thickness (-)0.75MM Thickness (-)0.030"
4	736950M91	1	Kit, Bearing	(1) (A)
4	736951M91	X	Kit, Bearing	(A) Thickness (-)0.25MM Thickness (-)0.010"
4	736952M91	X	Kit, Bearing	(A) Thickness (-)0.50MM Thickness (-)0.020"
4	736953M91	X	Kit, Bearing	(A) Thickness (-)0.75MM Thickness (-)0.030"
5	747128M1	2	Washer	(1)
	735742M1	X	Washer	Thickness (+)0.19MM Thickness (+)0.0075"
6	747129M1	2	Washer	(1)
	735743M1	X	Washer	Thickness (+)0.19MM Thickness (+)0.0075"
7	3638115M1	1	Thrust Block	(1)
8	3638113M1	3	Screw	(1)
9	3637034M91	4	Kit, Conrod	
10		1	Conrod	(9) Not serviced, order REF.9
11		1	Cap	(9) Not serviced, order REF.9
12	733767M1	1	Bush	(9)
13	3637029M1	2	Bolt	(9)
14	3637030M1	2	Nut	(9)
15	747049M91	4	Kit, Piston	(B)
	747050M91	4	Kit, Piston	(C)
16		1	Piston	(15) Not serviced, order REF.15
17		1	Pin	(15) Not serviced, order REF.15
18	376131X1	1	Clip	(15)
19	376131X1	1	Clip	(15)
20	747428M91	4	Kit, Piston Ring	
21	734749M1	1	Gear	Number of teeth/spines 28 Up to Serial or Engine Number U171963P
21	3638105M1	1	Gear	Number of teeth/spines 28 From Serial or Engine Number U171964P
22	2196X	1	Key	
23	742539M1	1	Washer	(F)
24	3638098M1	1	Pulley	
25	747631M1	1	Pulley	(G)
26	742106M91	1	Flywheel	(D)
	3637521M91	1	Flywheel	(E)
27		1	Flywheel	(26) Not serviced, order REF.26
28	731008M1	1	Annular Gear	(26) Number of teeth/spines 115
29	375763X1	6	Screw	
30	745365M1	6	Washer	Repairs and replaces 737514M1 (A)

Item	Part Number	Qty	Description	Comments
				PRE-FINISHED
				(B) UNTOPPED
				(C) PRE-TOPPED
				(D) USED ONLY WITH LIST LF31141
				(E) USED ONLY WITH LIST LF31186
				(F) USED ONLY WITH PULLEY 3638098M1
				(G) PULLEY CRANKSHAFT 2 GROOVE AIR CONDITIONED

L -0566-15M-A



CYLINDER HEAD - A4.248 ENGINE

Item	Part Number	Qty	Description	Comments
				A4.248 ENGINE
1	3637486M91	1	Cylinder Head	
2	3638333M91	1	Cylinder Head	(1)
3		1	Cylinder Head	Repairs and replaces 3637386M91 (2)
4	3637056M1	4	Guide	Not serviced, order REF.2 (2)
5	748420M1	4	Guide	(2)
6	731410M1	1	Plug	(2)
7	376178X1	1	Washer	(2)
8	731354M1	1	Plug	(2)
9	743097M1	4	Insert	(2)
10	747552M1	4	Valve Exhaust	(1)
				(A)
10	741466M1	4	Valve Exhaust	(B)
11	733824M1	4	Washer	(1)
12	735525M1	4	Spring	(1)
13	735521M1	4	Spring	(1)
14	1447652M1	4	Ring	(1)
15	3637041M1	4	Seal	(1)
16	746698M1	4	Cap	(1)
17	736453M1	8	Cotter	(1)
				(C)
18	735820M1	4	Valve Inlet	(1)
19	733824M1	4	Washer	(1)
20	735525M1	4	Spring	(1)
21	735521M1	4	Spring	(1)
22	3637041M1	4	Seal	(1)
23	746698M1	4	Cap	(1)
24	736453M1	8	Cotter	(1)
				(C)
25	748368M1	1	Plate	
26	3637039M1	1	Joint	
27	353536X1	2	Screw Unf	
28	1650486M1	2	Washer	
29	353517X1	4	Screw Unf	
30	1650484M1	4	Washer	
31	747741M1	2	Screw	
32	747742M1	12	Screw	
33	747743M1	8	Screw	
34	3638162M1	1	Plate	
35	16589X	2	Bolt	
36	1650486M1	2	Washer	
37	3638163M1	1	Plate	
38	16589X	2	Bolt	
39	1650486M1	2	Washer	
40		1	Housing	(D)
41		1	Thermostat	(D)
42		1	Joint	(D)
43	3638193M1	1	Connection	
44	745106M1	1	Joint	
45	345127X1	2	Bolt	
46	1650486M1	2	Washer	
				(A) REMOVE AND FIT 741466M1
				(B) FITTED IN PLACE OF EXHAUST VALVES SUPPLIED WITH CY LINDER HEAD ASSEMBLY
				(C) SERVICED IN PAIRS

MASSEY FERGUSON

MF 390 TRACTOR, ->| B18008 - 819751

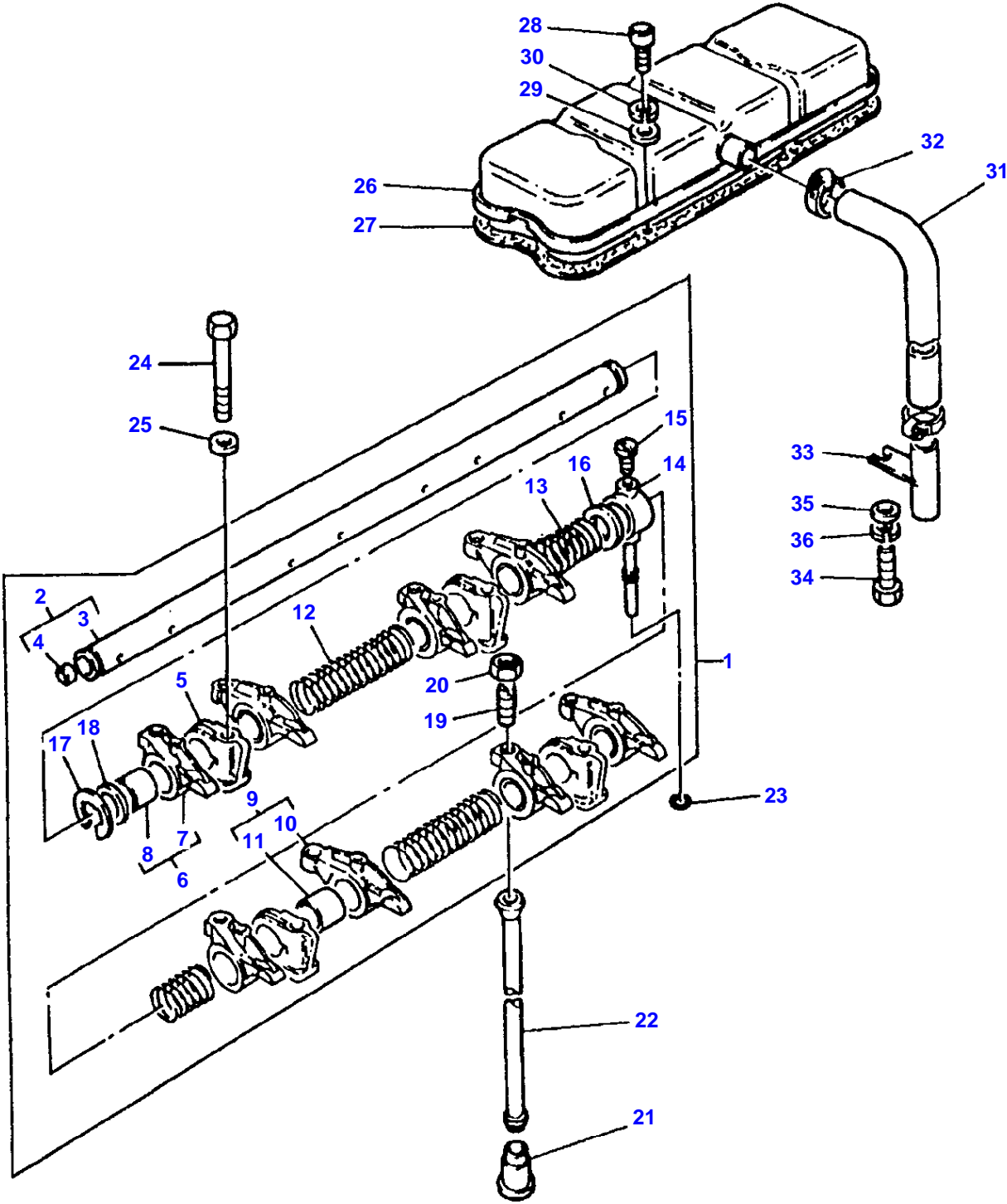
819751

CYLINDER HEAD - A4.248 ENGINE

5

Item	Part Number	Qty	Description	Comments
				(D) SEE WATER PUMP SECTION

L-0569-15M-A



Buy Now



Our support email:

ebooklibonline@outlook.com