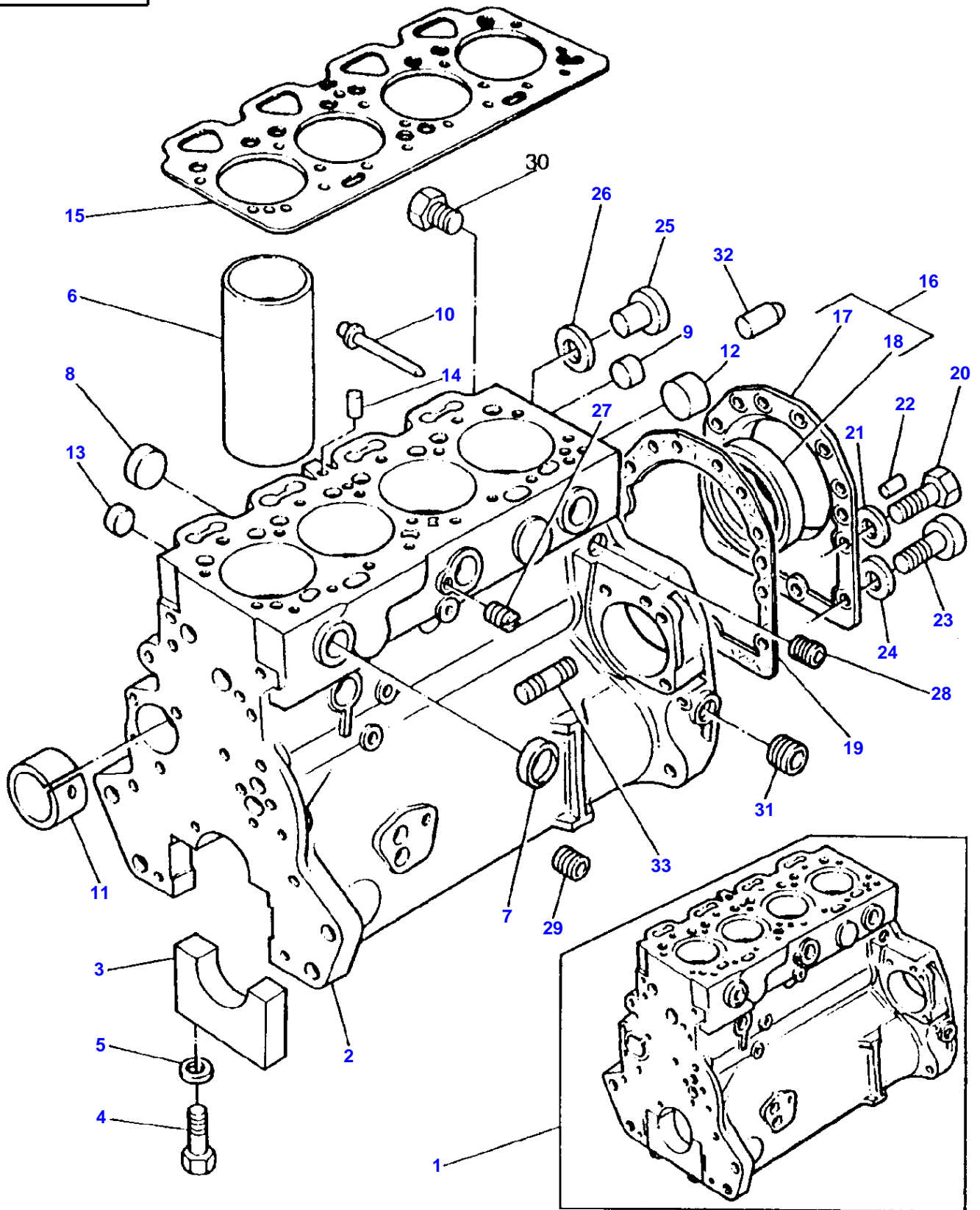


L-0560-19M-A



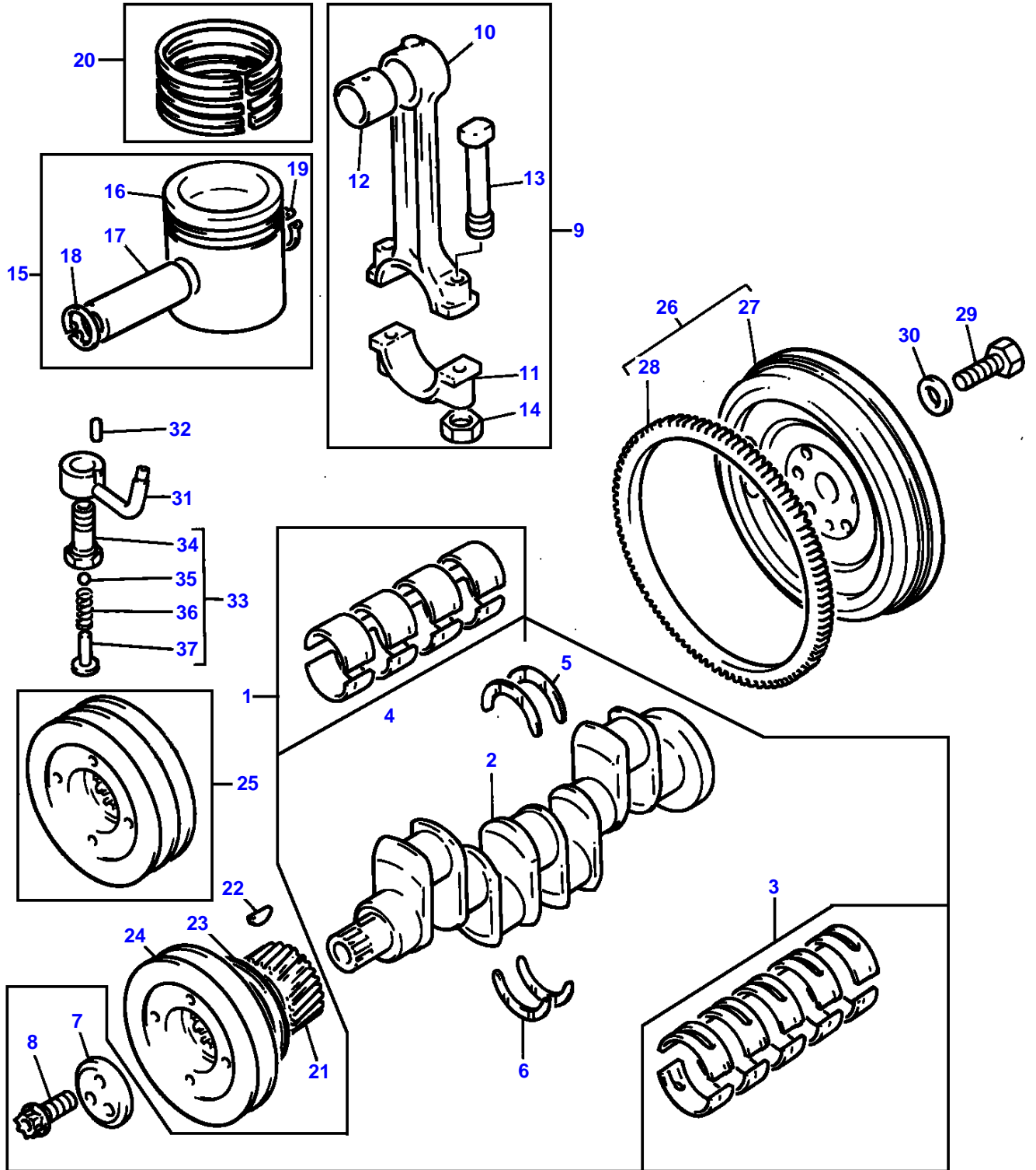
CYLINDER BLOCK - AT4.236 ENGINE

Item	Part Number	Qty	Description	Comments
				AT4.236 ENGINE
1	3637381M91	1	Cylinder Block	
2		1	Cylinder Block	(1) Not serviced, order REF.1
3		5	Bearing Cap	(1) Not serviced, order REF.1
4	1476108X1	10	Screw	(1)
5	733072M1	10	Ring	(1)
6	3637331M1	4	Liner	(1) (A)
6	3637332M1	X	Liner	(B)
7	731354M1	6	Plug	(1)
8	735944M1	4	Plug	(1)
9	731354M1	2	Plug	(1)
10	1476282X1	1	Plug	(1)
11	3638579M1	1	Bush	(1) Repairs and replaces 3638093M1 Repairs and replaces 734883M1
12	733705M1	1	Plug	(1)
13	735869M1	4	Plug	(1)
14	736868M1	1	Plug	(1)
15	3638294M1	1	Gasket	Repairs and replaces 3637498M1
16	3638347M91	1	Housing	Repairs and replaces 748163M91
17		1	Housing	(16) Not serviced, order REF.16
18	1447691M1	1	Seal	(16)
19	740828M1	1	Joint	
20	353519X1	10	Screw Unf	
21	375703X1	10	Washer	
22	731947M1	2	Dowel	
23	357987X1	2	Bolt	
24	745015M1	2	Washer	
25	376180X1	1	Plug	
26	376196X1	1	Washer	
27	748040M1	1	Plug	
28	733067M1	2	Plug	
29	731996M1	1	Plug	
30	3637016M1	2	Plug	
31	733067M1	1	Plug	
32	745017M1	1	Pointer	
33	731862M1	3	Stud	

(A)
PRESS FIT

(B)
SLIP FIT

L-0563-17M-C



CRANKSHAFT, PISTONS AND CONNECTING RODS - AT4.236 ENGINE

Item	Part Number	Qty	Description	Comments
				AT4.236 ENGINE
1	3637402M91	1	Kit, Crankshaft	
2		1	Crankshaft	(1) Not serviced, order REF.1
3	735168M91	1	Kit, Bearing	(1) (A)
3	735169M91	X	Kit, Bearing	(A) Thickness (-)0.25MM Thickness (-)0.010"
3	735170M91	X	Kit, Bearing	(A) Thickness (-)0.50MM Thickness (-)0.020"
3	735171M91	X	Kit, Bearing	(A) Thickness (-)0.75MM Thickness (-)0.030"
4	736950M91	1	Kit, Bearing	(1) (A) Repairs and replaces 3637505M91
4	736951M91	X	Kit, Bearing	(A) Thickness (-)0.25MM Thickness (-)0.010" Repairs and replaces 3637506M91
4	736952M91	X	Kit, Bearing	(A) Thickness (-)0.50MM Thickness (-)0.020" Repairs and replaces 3637507M91
4	736953M91	X	Kit, Bearing	(A) Thickness (-)0.75MM Thickness (-)0.030" Repairs and replaces 3637508M91
5	747128M1	2	Washer	(1)
	735742M1	X	Washer	Thickness (+)0.19MM Thickness (+)0.0075"
6	747129M1	2	Washer	(1)
	735743M1	X	Washer	Thickness (+)0.19MM Thickness (+)0.0075"
7	3638115M1	1	Thrust Block	(1)
8	3638113M1	3	Screw	(1)
9	3637028M91	4	Kit, Conrod	(9)
10		1	Conrod	(9) Not serviced, order REF.9
11		1	Cap	(9) Not serviced, order REF.9
12	744971M1	1	Bush	(9)
13	3637029M1	2	Bolt	(9)
14	3637030M1	2	Nut	(9)
15	3637367M91	4	Kit, Piston	(B)
	3637360M91	4	Kit, Piston	(C)
16		1	Piston	(15) Not serviced, order REF.15
17		1	Pin	(15) Not serviced, order REF.15
18	1476196X1	1	Circlip	(15)
19	1476196X1	1	Circlip	(15)
20	747602M91	4	Kit, Piston Ring	
21	734749M1	1	Gear	Number of teeth/spines 28 Up to Serial or Engine Number U171963P
21	3638105M1	1	Gear	Number of teeth/spines 28 From Serial or Engine Number U171964P
22	2196X	1	Key	
23	742539M1	1	Washer	(E)
24	3638098M1	1	Pulley	
25	747631M1	1	Pulley	(D)
26	747577M91	1	Flywheel	
27		1	Flywheel	(26) Not serviced, order REF.26
28	731008M1	1	Annular Gear	(25) Number of teeth/spines 115
29	375763X1	6	Screw	Repairs and replaces 375833X1

CRANKSHAFT, PISTONS AND CONNECTING RODS - AT4.236 ENGINE

Item	Part Number	Qty	Description	Comments
30	745365M1	6	Washer	Repairs and replaces 737514M1
31	747856M91	4	Jet	
32	355822X1	4	Pin	
33	3637005M91	4	Valve	
34		1	Body	(33) Not serviced, order REF.33
35		1	Ball	(33) Not serviced, order REF.33
36		1	Spring	(33) Not serviced, order REF.33
37		1	Retainer	(33) Not serviced, order REF.33

(A)
PRE-FINISHED

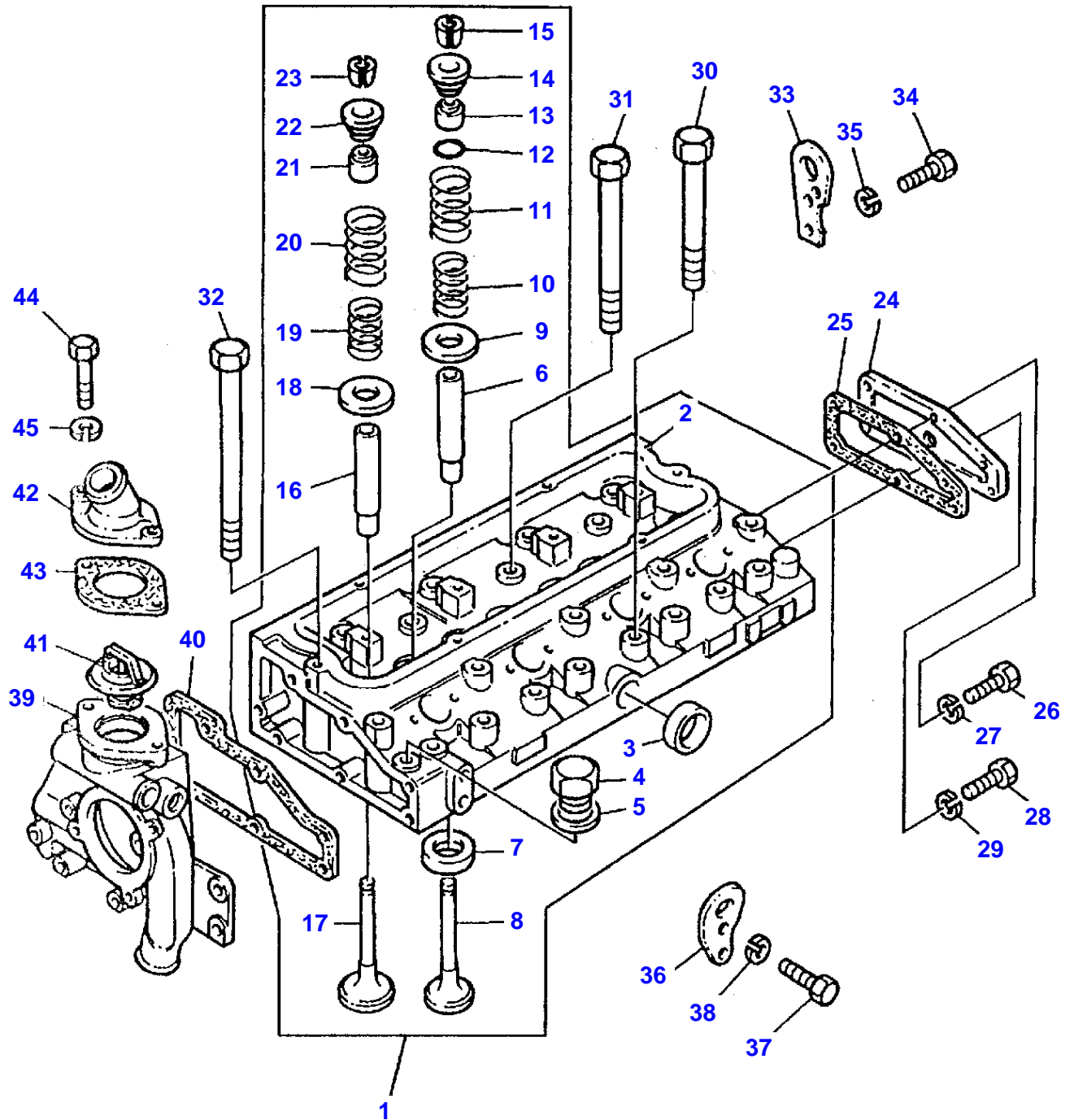
(B)
UNTOPPED

(C)
PRE-TOPPED

(D)
PULLEY CRANKSHAFT 2 GROOVE AIR CONDITIONED

(E)
USED ONLY WITH PULLEY 3638098M1

L-0566-17M-B



CYLINDER HEAD - AT4.236 ENGINE

Item	Part Number	Qty	Description	Comments
				AT4.236 ENGINE
1	3637385M91	1	Kit, Cyl. Head	
2		1	Cylinder Head	(1)
				Not serviced, order REF.1
3	731354M1	1	Plug	(1)
4	731410M1	1	Plug	
5	376178X1	1	Washer	
6	748420M1	4	Guide	(1) (C)
7	743097M1	4	Insert	(1)
8	747552M1	4	Valve Exhaust	(1)
	747553M1	X	Valve Exhaust	(B)
				Thickness (+)0.003"
8	747554M1	X	Valve Exhaust	(B)
				Thickness (+)0.015"
8	747555M1	X	Valve Exhaust	(B)
				Thickness (+)0.030"
9	733824M1	4	Washer	(1)
10	735525M1	4	Spring	(1)
11	735521M1	4	Spring	(1)
12	1447652M1	4	Ring	(1)
13	3637041M1	4	Seal	(1)
14	746698M1	4	Cap	(1)
15	736453M1	8	Cotter	(1) (A)
16	3637056M1	4	Guide	(1) (C)
17	746823M1	4	Valve Inlet	(1)
	747546M1	X	Valve Inlet	(B)
				Thickness (+)0.003"
17	747547M1	X	Valve Inlet	(B)
				Thickness (+)0.015"
17	747548M1	X	Valve Inlet	(B)
				Thickness (+)0.030"
18	733824M1	4	Washer	(1)
19	735525M1	4	Spring	(1)
20	735521M1	4	Spring	(1)
21	3637041M1	4	Seal	(1)
22	746698M1	4	Cap	(1)
23	736453M1	8	Cotter	(1) (A)
24	748368M1	1	Plate	
25	3637039M1	1	Joint	
26	353518X1	4	Screw Unf	
27	1650484M1	4	Washer	
28	353536X1	2	Screw Unf	
29	1650486M1	2	Washer	
30	747743M1	8	Screw	
31	747742M1	12	Screw	
32	747741M1	2	Screw	
33	3638160M1	1	Plate	Repairs and replaces 736678M1
34	16589X	2	Bolt	
35	1650486M1	2	Washer	
36	747835M1	1	Plate	Repairs and replaces 3638162M1
37	16589X	2	Bolt	
38	1650486M1	2	Washer	
39		1	Housing	(D)
40		1	Joint	(D)
41		1	Thermostat	(D)
42	3638193M1	1	Connection	
43	745106M1	1	Joint	
44	345127X1	2	Bolt	
45	1650486M1	2	Washer	

MASSEY FERGUSON

MF 398 TRACTOR, ->| B18008 - 819752

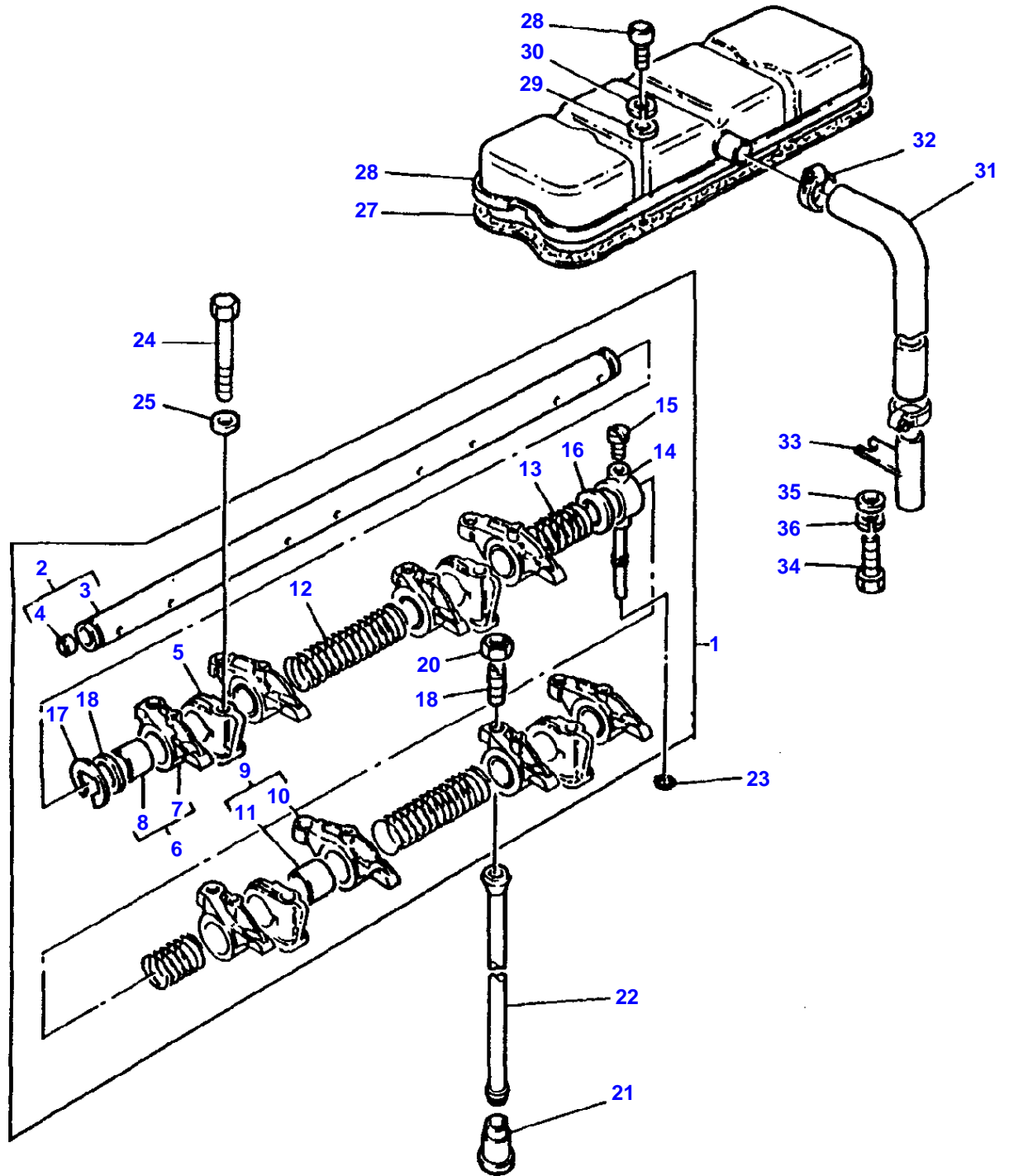
819752

CYLINDER HEAD - AT4.236 ENGINE

5

Item	Part Number	Qty	Description	Comments
				(A) SERVICED IN PAIRS
				(B) OVERSIZE VALVES CAN ONLY BE USED WITH CYLINDER HEADS WHEN VALVE GUIDES ARE NOT FITTED.
				(C) USED ONLY WITH HEADS MACHINED TO ACCOMMODATE VALVE GUIDES
				(D) SEE WATER PUMP SECTION

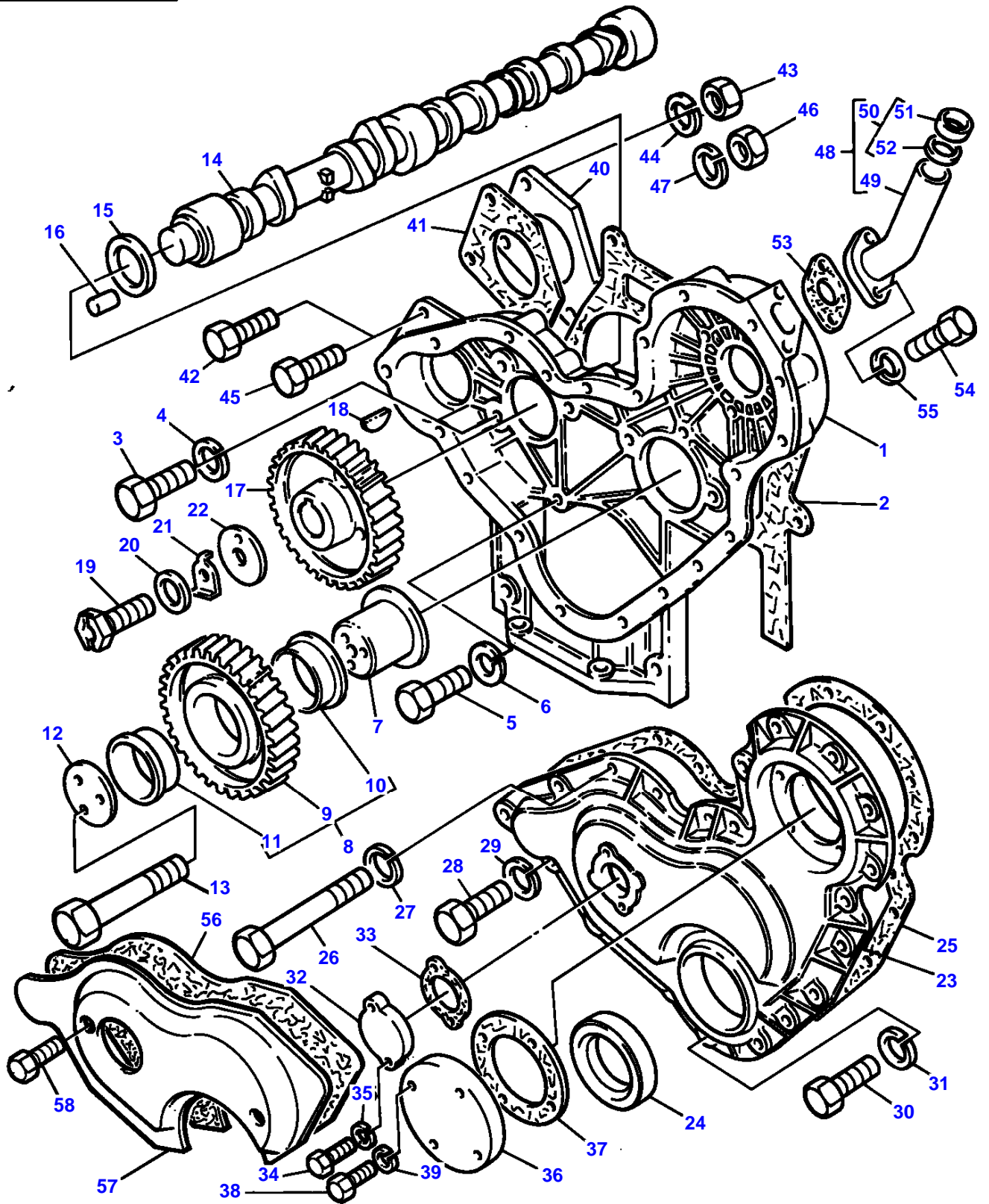
L-0569-17M-A



ROCKER SHAFT - AT4.236 ENGINE

Item	Part Number	Qty	Description	Comments
				AT4.236 ENGINE
1	3637391M91	1	Rocker Shaft	
2	3637395M91	1	Rocker Shaft	(1)
3		1	Shaft	(2) Not serviced, order REF.2
4	731330M1	2	Plug	(2)
5	3638403M1	4	Bracket	(1) Repairs and replaces 3637063M1
6	3637071M91	4	Lever	(1) Repairs and replaces 746461M1
7		1	Lever	(6) Right Hand
8	895748M1	1	Bush	(6) Not serviced, order REF.6
9	3637072M91	4	Lever	(1) Left Hand
10		1	Lever	(9) Not serviced, order REF.9
11	895748M1	1	Bush	(9)
12	733811M1	2	Spring	(1)
13	733812M1	2	Spring	(1)
14	3638499M1	1	Connection	(1) Repairs and replaces 3637064M1
15	3637065M1	1	Screw	(1)
	3638500M1	1	Screw	(B)
16	739513M91	2	Shim	(1)
17	3638547M1	2	Circlip	(1)
18	747876M1	2	Washer	(1)
19	731516M1	8	Bolt	(1)
20	3638536M1	8	Nut	(1)
21	740671M1	8	Tappet	
22	733817M1	8	Rod	
23	376525X1	1	Olive	
24	361543X1	4	Bolt	
25	1440275X1	4	Washer Metric	
26	734912M91	1	Cover	
27	3638482M1	1	Joint	Repairs and replaces 748277M1
28	376192X1	4	Bolt	
29	344107X1	4	Washer	
30	353441X1	4	Lock Washer	
31	740497M1	1	Pipe	
32	3638598M1	1	Clip	Repairs and replaces 375790X1
33	740498M91	1	Pipe	
34	375829X1	1	Screw	Up to Serial or Engine Number U2267087
	3637695M1	1	Screw	From Serial or Engine Number U2267088
35	375703X1	1	Washer	(A)
36	1650484M1	1	Washer	(A)
				(A) FITTED UP TO ENGINE NUMBER U226708S
				(B) USED ONLY WITH 3638499M1

L-0572-18M-B



MASSEY FERGUSON

MF 398 TRACTOR, ->| B18008 - 819752

819752

TIMING GEAR AND CAMSHAFT - AT4.236 ENGINE

7

Item	Part Number	Qty	Description	Comments
				AT4.236 ENGINE
1	741784M1	1	Case	
2	3637536M1	1	Joint	
3	1476319X1	8	Screw	Repairs and replaces 353518X1
4	1650484M1	8	Washer	
5	353519X1	1	Screw Unf	
6	1650484M1	1	Washer	
7	735852M1	1	Hub	
8	3637075M91	1	Gear	Number of teeth/spines 63 Up to Serial or Engine Number U171963P
8	3638220M91	1	Gear	Number of teeth/spines 63 From Serial or Engine Number U171964P
9		1	Gear	(8) Not serviced, order REF.8
10	731033M1	1	Bush	(8)
11	731033M1	1	Bush	(8)
12	731036M1	1	Plate	
13	361511X1	3	Screw	
14	3638108M1	1	Camshaft	Repairs and replaces 3637538M1
15	733728M1	1	Pressure Washer	
16	1476145X1	1	Pin	
17	748207M1	1	Gear	Number of teeth/spines 56
18	2196X	1	Key	
19	747776M1	1	Screw	
20	734663M1	1	Washer	
21	734276M1	1	Washer	
22	734182M1	1	Washer	
23	734888M1	1	Cover	Up to Serial or Engine Number U171963P
	3637542M1	1	Cover	From Serial or Engine Number U171964P
24	1447690M1	1	Seal	
25	734887M1	1	Joint	
26	353531X1	4	Bolt Unf	
27	1650484M1	4	Washer	
28	1476319X1	10	Screw	Repairs and replaces 353518X1
29	1650484M1	10	Washer	
30	1476319X1	4	Screw	Repairs and replaces 353518X1
31	1650484M1	4	Washer	Repairs and replaces 732575M1
32	734118M1	1	Plate	
33	734892M1	1	Joint	
34	3638602M1	2	Screw	
35	353441X1	2	Lock Washer	
36	747788M1	1	Plate	
37	734890M1	1	Joint	
38	1476317X1	4	Screw	
39	1650484M1	4	Washer	
40	734594M1	1	Plate	
41	734593M1	1	Joint	
42	342164X1	2	Screw	
43	354123X1	2	Nut	
44	1650486M1	2	Washer	
45	376538X1	1	Bolt	
46	354123X1	1	Nut	
47	1650486M1	1	Washer	
48	3637543M91	1	Filler	
49		1	Filler	(48) Not serviced, order REF.48
50	734962M91	1	Cap	(48)
51		1	Cap	(50) Not serviced, order REF.50
52	1881644M1	1	Joint	(50)
53	734945M1	1	Joint	
54	1476318X1	2	Screw	
55	1650484M1	2	Washer	
56	3638360M1	1	Damper	From Serial or Engine Number U171964P Up to Serial or Engine Number 88/07
56	3638209M1	1	Damper	From Serial or Engine Number 88/07
57	3638359M1	1	Shield	From Serial or Engine Number U171964P Up to Serial or Engine Number 88/07
57	3638208M1	1	Shield	From Serial or Engine Number 88/07

MASSEY FERGUSON

MF 398 TRACTOR, ->| B18008 - 819752

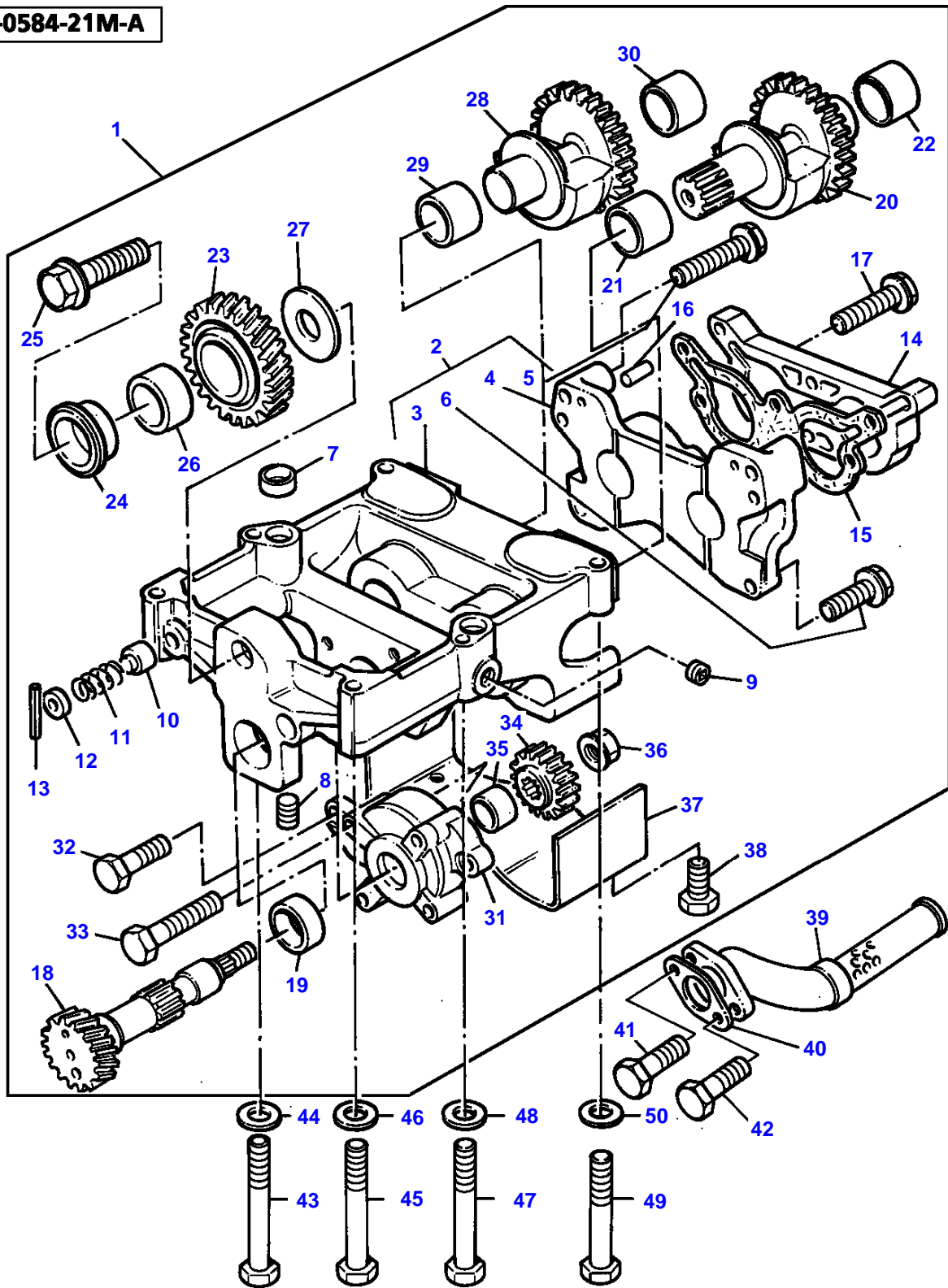
819752

TIMING GEAR AND CAMSHAFT - AT4.236 ENGINE

7

Item	Part Number	Qty	Description	Comments
58	3637685M1	2	Screw	From Serial or Engine Number U171964P

L-0584-21M-A



Buy Now



Our support email:

ebooklibonline@outlook.com