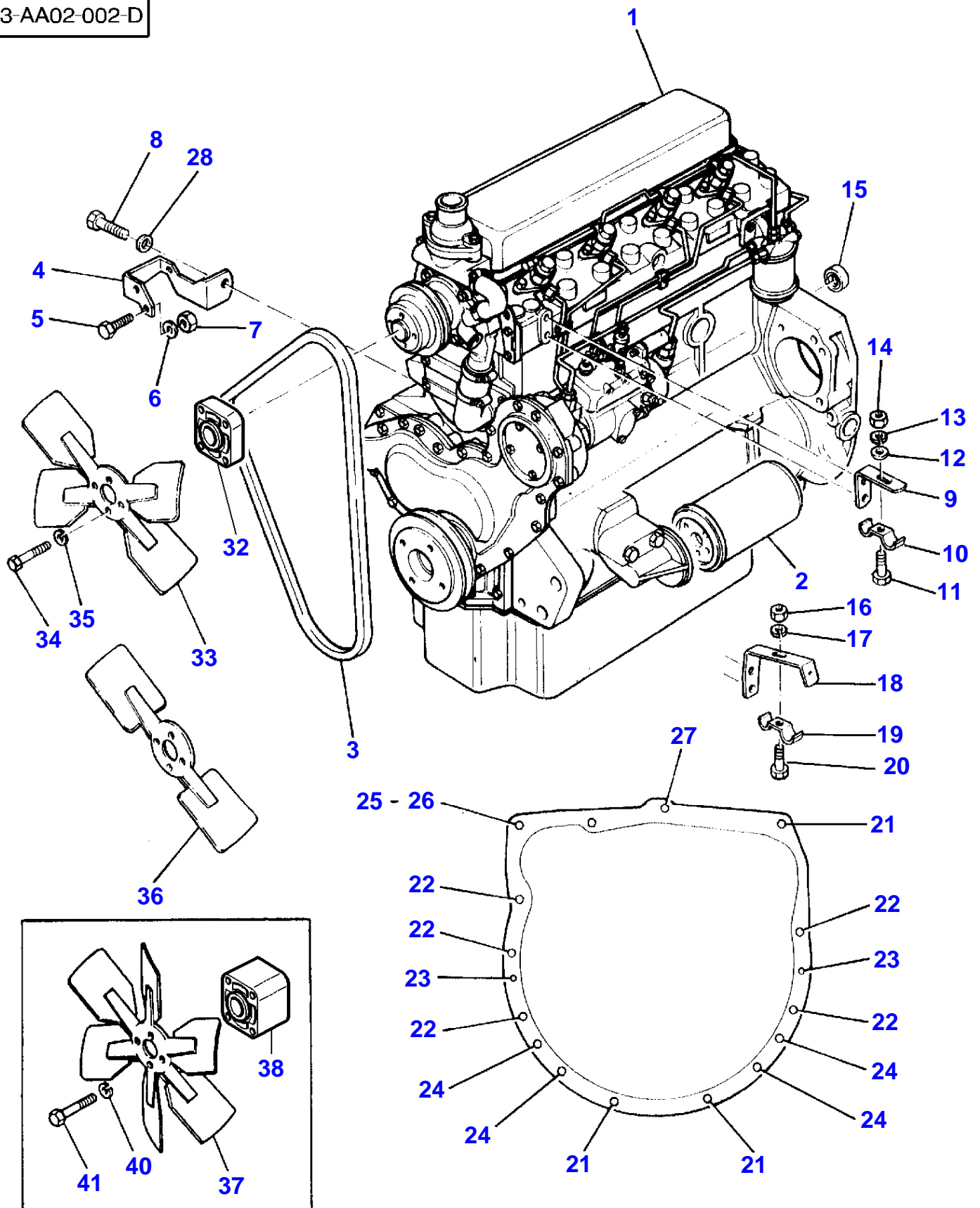


Page Title	Page Number
SECTION DIVIDER	1
ENGINE INSTALLATION	2
CYLINDER BLOCK - A4.236 ENGINE	3
CRANKSHAFT, PISTONS AND CONNECTING RODS - A4.236 ENGINE	4
CYLINDER HEAD - A4.236 ENGINE	5
ROCKER SHAFT - A4.236 ENGINE	6
TIMING GEAR AND CAMSHAFT - A4.236 ENGINE	7
BALANCER UNIT - A4.236 ENGINE	8
FUEL INJECTION EQUIPMENT (DIESEL) - A4.236 ENGINE	9
LUBRICATING OIL SUMP - A4.236 ENGINE	10
LUBRICATING OIL FILTER AND INTEGRAL COOLER - A4.236 ENGINE	11
WATER PUMP, THERMOSTAT AND HEAT EXCHANGER - A4.236 ENGINE	12
FUEL OIL LIFT PUMP - A4.236 ENGINE	13
AIR INDUCTION AND EXHAUST SYSTEM - A4.236 ENGINE	14
ALTERNATOR POSITIONER - A4.236 ENGINE	15
JOINTS AND GASKETS - A4.236 ENGINE	16
ENGINE ELECTRICS - UP TO SERIAL NO. V52268	17
ENGINE ELECTRICS - -CAB FROM NU V52268.- -FOOTSTEP FROM NU V52268, UP TO NO A29150	18
ENGINE ELECTRICS - FOOTSTEP TRACTORS - FROM SERIAL NUMBER A29151	19
STARTER - PERKINS	20
STARTER-LUCAS	21
ALTERNATOR-LUCAS	22
ALTERNATOR-LUCAS - TRACTOR WITH CAB	23
ALTERNATOR - VALEO	24
ALTERNATOR-MAGNETI MARELLI	25
BATTERIES AND CABLES - FOOTSTEP TRACTORS - SINGLE BATTERY- UP TO SERIAL N UMBER .....	26
BATTERIES AND CABLES - FOOTSTEP TRACTORS - SINGLE BATTERY - FROM SERIAL NUMBER .....	27
BATTERIES AND CABLES - FOOTSTEP TRACTORS - DOUBLE BATTERY - UP TO SERIAL NUMBER .....	28
BATTERIES AND CABLES - FOOTSTEP TRACTORS - DOUBLE BATTERY - FROM SERIAL NUMBER.....	29
BATTERIES AND CABLES - TRACTORS WITH CAB - SINGLE BATTERY	30
BATTERIES AND CABLES - TRACTORS WITH CAB - DOUBLE BATTERY	31
HEATER-ENGINE BLOCK	32
COOLING SYSTEM	33
FUEL SYSTEM-FUEL TANK AND ATTACHMENTS - UP TO SERIAL NO. S19230	34
FUEL SYSTEM-FUEL TANK AND ATTACHMENTS - FROM SERIAL NO. S19231	35
FUEL SYSTEM-FUEL FILTERS AND PIPES	36
FUEL SYSTEM-FUEL FILTER	37
SEDIMENTER	38
AIR FILTER-OIL BATH AIR FILTER	39
AIR FILTER-DRY - DUAL ELEMENT - AIR INTAKE - OVER BONNET	40
AIR FILTER-DRY - DUAL ELEMENT - AIR INTAKE - UNDER BONNET	41
EXHAUST SYSTEM-VERTICAL	42
EXHAUST SYSTEM-VERTICAL	43
EXHAUST SYSTEM-HORIZONTAL	44
THROTTLE CONTROLS	45
THROTTLE CONTROLS-REAR - FORESTRY CAB	46
CONSOLE ELECTRICS-FOOTSTEP MODELS - UP TO SERIAL NO. V52268	47
CONSOLE ELECTRICS-FOOTSTEP MODELS - FROM SERIAL NO.V52268. UP TO SERIAL NUMBER A29150	48
CONSOLE ELECTRICS-FOOTSTEP MODELS - FROM SERIAL NUMBER A29151	49

TABLE OF CONTENT

CONSOLE ELECTRICS-FOOTSTEP MODELS - FROM SERIAL NUMBER A29151	49
CONSOLE ELECTRICS-FOOTSTEP MODELS - FROM SERIAL NUMBER A29151	50
CONSOLE ELECTRICS-CAB MODELS - CAB MACHINE. UPTO SERIAL NO.V52268	51
CONSOLE ELECTRICS-CAB MODELS - CAB MACHINE. FROM SERIAL NO.V52268 - ALL MARKETS EXCEPT NORTH AMERICA	52
INSTRUMENT PANEL AND INSTRUMENTS - TRACTORS WITH CAB -FOOTSTEP TRACTORS UP TO A29150	53
INSTRUMENT PANEL AND INSTRUMENTS - FOOTSTEP TRACTORS - FROM SERIAL NUMBER A29151	54
INSTRUMENT PANEL AND INSTRUMENTS - FOOTSTEP TRACTORS - FROM SERIAL NUMBER A29151	55
INSTRUMENT PANEL AND INSTRUMENTS - FOOTSTEP TRACTORS - FROM SERIAL NUMBER A29151	56
CLUTCH-PEDAL	57
CLUTCH-PEDAL - DIRECT OPERATING- UP TO SERIAL NO 04-1993	58
CLUTCH-DUAL CLUTCH - 12/305MM PITCH CIRCLE DIAMETER	59
CLUTCH-SPLIT TORQUE CLUTCH - 12/305MM PITCH CIRCLE DIAMETER	60
CLUTCH-SPLIT TORQUE CERAMETALLIC - 12/305MM PITCH CIRCLE DIAMETER	61
CLUTCH-DUAL CLUTCH CERAMETALLIC - 12/305MM PITCH CIRCLE DIAMETER	62
8 SPEED NON-SYNCHROMESH TRANSMISSION-HOUSING	63
8 SPEED NON-SYNCHROMESH TRANSMISSION-FORK AND GEARSHIFT RAIL	64
8 SPEED NON-SYNCHROMESH TRANSMISSION-INPUT SHAFT	65
8 SPEED NON-SYNCHROMESH TRANSMISSION-MAIN SHAFT	66
8 SPEED NON-SYNCHROMESH TRANSMISSION-COUNTER SHAFT	67
8 SPEED SYNCHROMESH TRANSMISSION-HOUSING	68
8 SPEED SYNCHROMESH TRANSMISSION-FORK AND GEAR SHIFTRAIL	69
8 SPEED SYNCHROMESH TRANSMISSION-INPUT SHAFT	70
8 SPEED SYNCHROMESH TRANSMISSION-MAIN SHAFT	71
8 SPEED SYNCHROMESH TRANSMISSION-COUNTERSHAFT	72
8 SPEED SYNCHROMESH SHUTTLE TRANSMISSION-HOUSING	73
8 SPEED SYNCHROMESH SHUTTLE TRANSMISSION-FORK AND GEARSHIFT RAIL	74
8 SPEED SYNCHROMESH SHUTTLE TRANSMISSION-INPUT SHAFT	75
8 SPEED SYNCHROMESH SHUTTLE TRANSMISSION-MAIN SHAFT	76
8 SPEED SYNCHROMESH SHUTTLE TRANSMISSION-COUNTERSHAFT	77
12 SPEED SYNCHROMESH TRANSMISSION-HOUSING	78
12 SPEED SYNCHROMESH TRANSMISSION-FORK AND GEARSHIFT RAIL	79
12 SPEED SYNCHROMESH TRANSMISSION-INPUT SHAFT	80
12 SPEED SYNCHROMESH TRANSMISSION-MAIN SHAFT	81
12 SPEED SYNCHROMESH TRANSMISSION-COUNTER SHAFT	82
EPICYCLIC UNIT-NORMAL DUTY	83
12 SPEED SYNCHROMESH SHUTTLE TRANSMISSION-HOUSING - UP TO SERIAL NO B18008	84
12 SPEED SYNCHROMESH SHUTTLE TRANSMISSION-FORK AND GEARSHIFT RAIL	85
12 SPEED SYNCHROMESH SHUTTLE TRANSMISSION-INPUT SHAFT	86
12 SPEED SYNCHROMESH SHUTTLE TRANSMISSION-MAIN SHAFT	87
12 SPEED SYNCHROMESH SHUTTLE TRANSMISSION-COUNTER SHAFT	88
SHIFT LEVERS-8 SPEED TRANSMISSION	89
SHIFT LEVERS-8 SP SYNCHRO SHUTTLE TRANSMISSION - COLUMN CHANGE - FORWARD/REVERSE	90
SHIFT LEVERS-8 SP SYNCHRO SHUTTLE TRANSMISSION - COLUMN CHANGE - FORWARD/REVERSE	91
SHIFT LEVERS-12 SPEED TRANSMISSION	92
TOP COVER-12 SPEED SYNCHRO SHUTTLE TRANS	93
TOP COVER-12 SPEED CREEPER SHUTTLE TRANS - CABLE CONTROL	94
TOP COVER-12 SPEED CREEPER SHUTTLE TRANS - DRIVE GEAR BOX	95
TOP COVER-12 SPEED CREEPER SHUTTLE TRANS - CONTROL	96
SHIFT LEVERS-12 SPEED SYNCHRO SHUTTLE TRANS	97

3-AA02-002-D

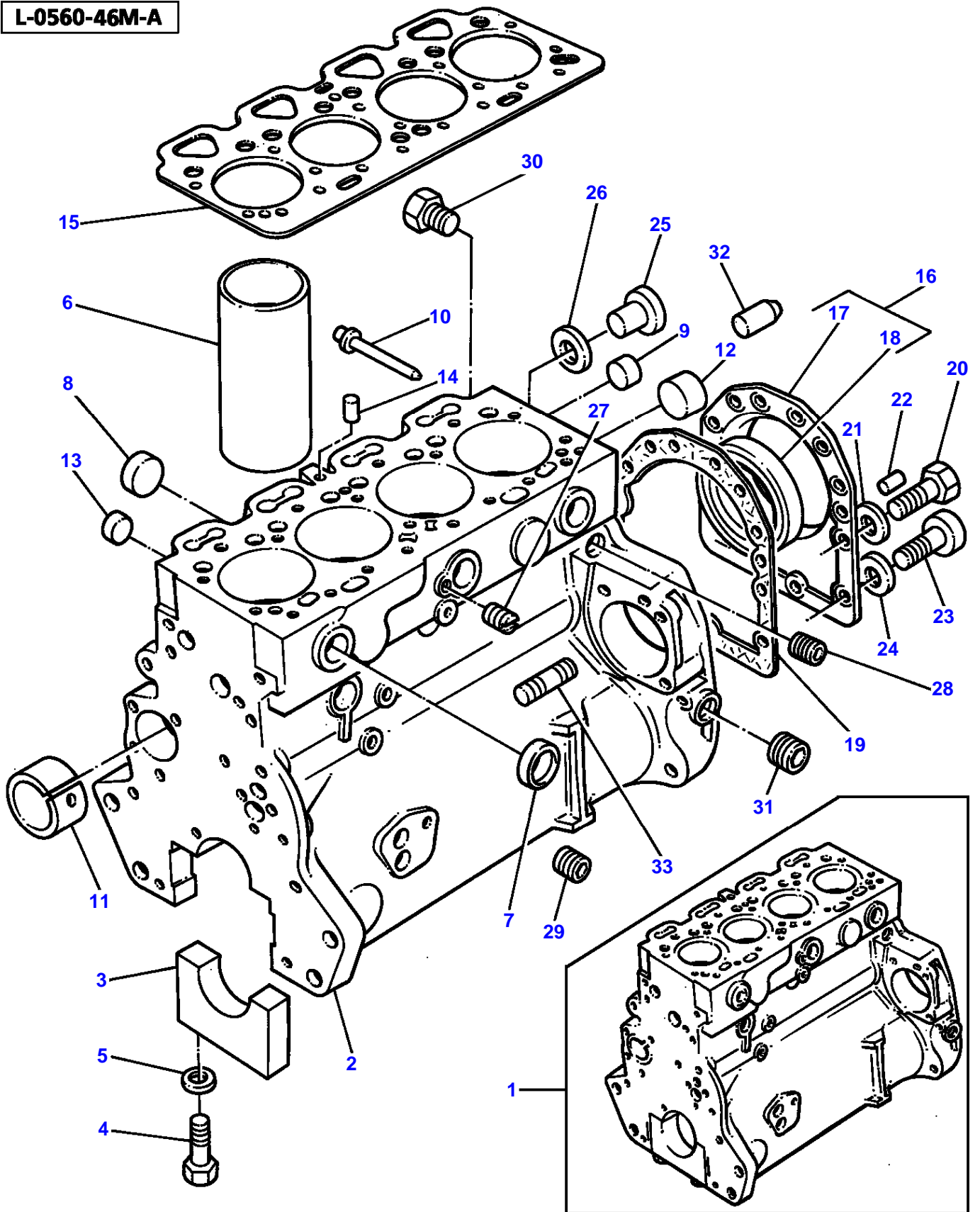


ENGINE INSTALLATION

Item	Part Number	Qty	Description	Comments
1	3596512M91	1	Engine	PEL - LD31190
	3478237M91	1	Short Engine	PEL - LD39039
2	1447048M1	1	Oil Filter	
3	1693745M1	1	V Belt	
4	1694276M4	1	Bracket	
5	376334X1	1	Screw Unc	
6	353755X1	1	Washer	
7	355565X1	1	Nut Unc	
8	353536X1	1	Screw Unf	
9	1696465M2	1	Bracket	Up to Serial or Engine Number -----
10	1696871M1	1	Clip	Up to Serial or Engine Number -----
11	339123X1	1	Screw Metric	Up to Serial or Engine Number .....
12	390972X1	1	Washer Metric	Up to Serial or Engine Number .....
13	339374X1	1	Lock Washer	Up to Serial or Engine Number .....
14	339169X1	1	Nut Metric	Up to Serial or Engine Number .....
15	828123M2	1	Bearing Assy	
16	339030X1	1	Nut Metric	From Serial or Engine Number .....
17	339375X1	1	Lock Washer	From Serial or Engine Number .....
18	3612888M1	1	Bracket	From Serial or Engine Number .....
19	1876383M1	1	Clamp	From Serial or Engine Number .....
20	3001753X1	1	Screw Metric	From Serial or Engine Number .....
21	3019851X1	3	Bolt Metric	
22	3019853X1	5	Bolt Metric	
23	825302M1	2	Dowel	
24	3019855X1	4	Bolt Metric	
25	3019878X1	1	Bolt Metric	
26	3019862X1	1	Nut Metric	
27	3019858X1	1	Bolt Metric	
28	353756X1	1	Washer	
32	3638564M1	1	Spacer	Repairs and replaces 736519M1
33	1695933M1	1	Fan	
34	353521X1	4	Bolt Unf	
35	353446X1	4	Lock Washer	
36	3614283M1	1	Fan	(A)
37		1	Not Used	
38		1	Not Used	
40	353446X1	4	Lock Washer	
41		1	Not Used	..

(A)  
SCANDINAVIA ONLY

L-0560-46M-A



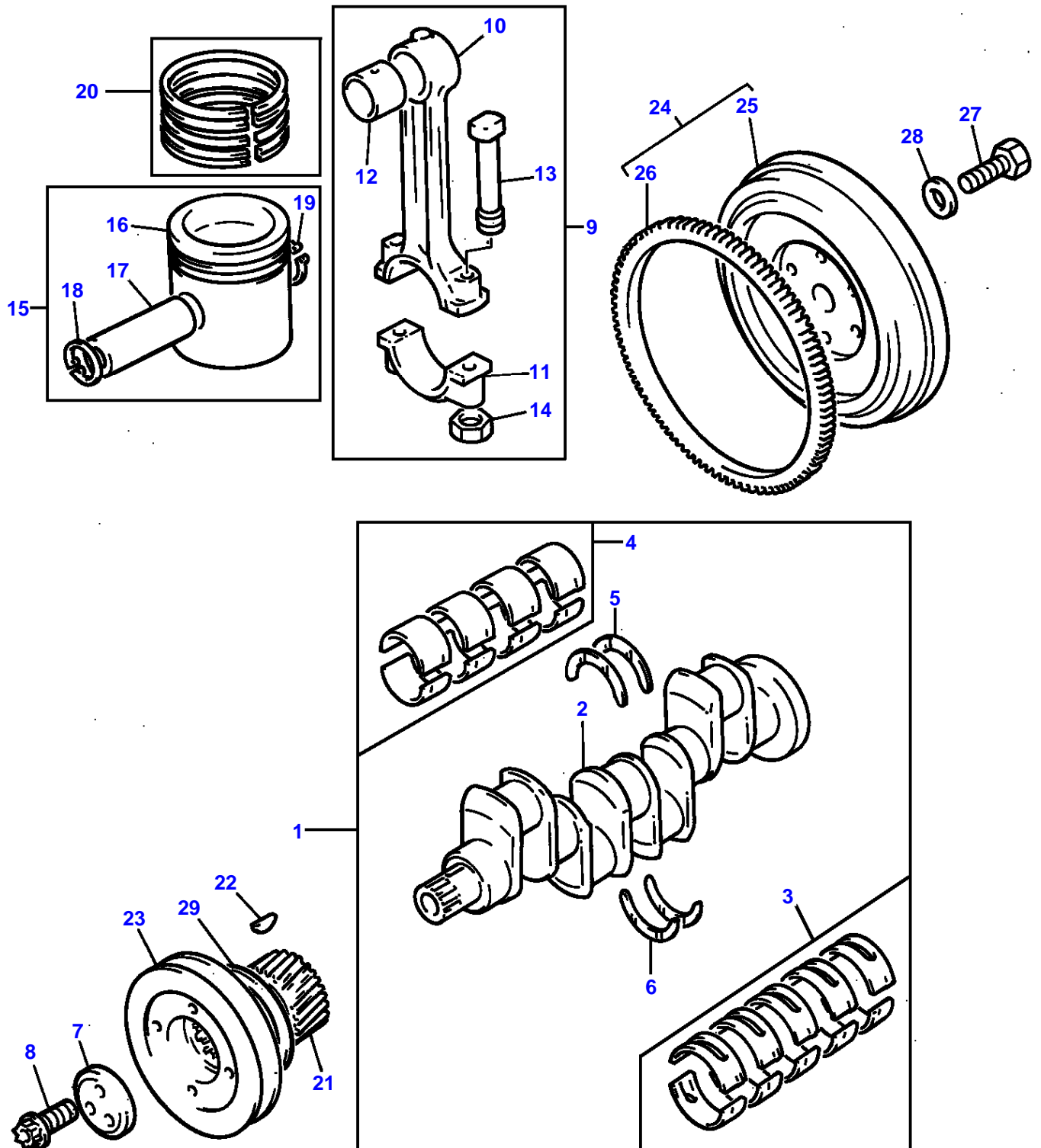
CYLINDER BLOCK - A4.236 ENGINE

Item	Part Number	Qty	Description	Comments
				A4.236 ENGINE
1	3637379M91	1	Cylinder Block	
2		1	Cylinder Block	(1) Not serviced, order REF.1
3		5	Bearing Cap	(1) Not serviced, order REF.1
4	1476108X1	10	Screw	(1)
5	733072M1	10	Ring	(1)
6	3637331M1	4	Liner	(1) (A)
6	3637332M1	X	Liner	(B)
7	731354M1	6	Plug	(1)
8	735944M1	4	Plug	(1)
9	731354M1	2	Plug	(1)
10	1476282X1	1	Plug	(1)
11	3638579M1	1	Bush	(1) Repairs and replaces 3638093M1 Repairs and replaces 734883M1
12	733705M1	1	Plug	
13	735869M1	4	Plug	
14	736868M1	1	Plug	
15	3638358M1	1	Head Gasket	Repairs and replaces 3637341M1
16	3638347M91	1	Housing	Repairs and replaces 748163M91
17		1	Housing	(16) Not serviced, order REF.16
18	1447691M1	1	Seal	(16)
19	740828M1	1	Joint	
20	353519X1	10	Screw Unf	
21	375703X1	10	Washer	
22	731947M1	2	Dowel	
23	357987X1	2	Bolt	
24	745015M1	2	Washer	
25	376180X1	1	Plug	
26	376196X1	1	Washer	
27	745174M1	1	Plug	
28	733067M1	2	Plug	
29	731996M1	1	Plug	Repairs and replaces 365332X1
30	376670X1	3	Plug	
31	733067M1	1	Plug	
32	745017M1	1	Pointer	
33	731862M1	3	Stud	..

(A)  
PRESS FIT

(B)  
SLIP FIT

L-0563-23M-B



CRANKSHAFT, PISTONS AND CONNECTING RODS - A4.236 ENGINE

Item	Part Number	Qty	Description	Comments
				A4.236 ENGINE
1	3637401M91	1	Kit, Crankshaft	
2		1	Crankshaft	(1) Not serviced, order REF.1
3	735168M91	1	Kit, Bearing	(A)
	735169M91	X	Kit, Bearing	(A) Thickness (-)0.25MM Thickness (-)0.010"
3	735170M91	X	Kit, Bearing	(A) Thickness (-)0.050MM Thickness (-)0.020"
3	735171M91	X	Kit, Bearing	(A) Thickness (-)0.075MM Thickness (-)0.030"
4	736950M91	1	Kit, Bearing	(1) (A)
4	736951M91	X	Kit, Bearing	(A) Thickness (-)0.25MM Thickness (-)0.010"
4	736952M91	X	Kit, Bearing	(A) Thickness (-)0.50MM Thickness (-)0.020"
4	736953M91	X	Kit, Bearing	(A) Thickness (-)0.75MM Thickness (-)0.030"
5	747128M1	2	Washer	(1)
	735742M1	X	Washer	Thickness (+)0.19MM Thickness (+)0.0075"
6	747129M1	2	Washer	(1)
	735743M1	X	Washer	Thickness (+)0.19MM Thickness (+)0.0075"
7	3638115M1	1	Thrust Block	(D)
8	3638113M1	3	Screw	(D)
9	3637034M91	4	Kit, Conrod	
10		1	Conrod	(9) Not serviced, order REF.9
11		1	Cap	(9) Not serviced, order REF.9
12	733767M1	1	Bush	(9)
13	3637029M1	2	Bolt	(9)
14	3637030M1	2	Nut	(9)
15	3637515M91	4	Kit, Piston	(B)
	3637516M91	4	Kit, Piston	(C)
16		1	Piston	(15) Not serviced, order REF.15
17		1	Pin	(15) Not serviced, order REF.15
18	376131X1	1	Clip	(15)
19	376131X1	1	Clip	(15) Not serviced, order REF.15
20	745760M91	4	Kit, Piston Ring	
21	734749M1	1	Gear	Number of teeth/spines 28 Up to Serial or Engine Number U171963P
21	3638105M1	1	Gear	Number of teeth/spines 28 From Serial or Engine Number U171964P
22	2196X	1	Key	
23	3638098M1	1	Pulley	
24	742106M91	1	Flywheel	
25		1	Flywheel	Not serviced, order REF.24
26	731008M1	1	Annular Gear	(24) Number of teeth/spines 115
27	375763X1	6	Screw	
28	745365M1	6	Washer	
29	742539M1	1	Washer	

(A)  
PRE-FINISHED

(B)



MASSEY FERGUSON

MF 365 TRACTOR, ->| B18008 - 819755

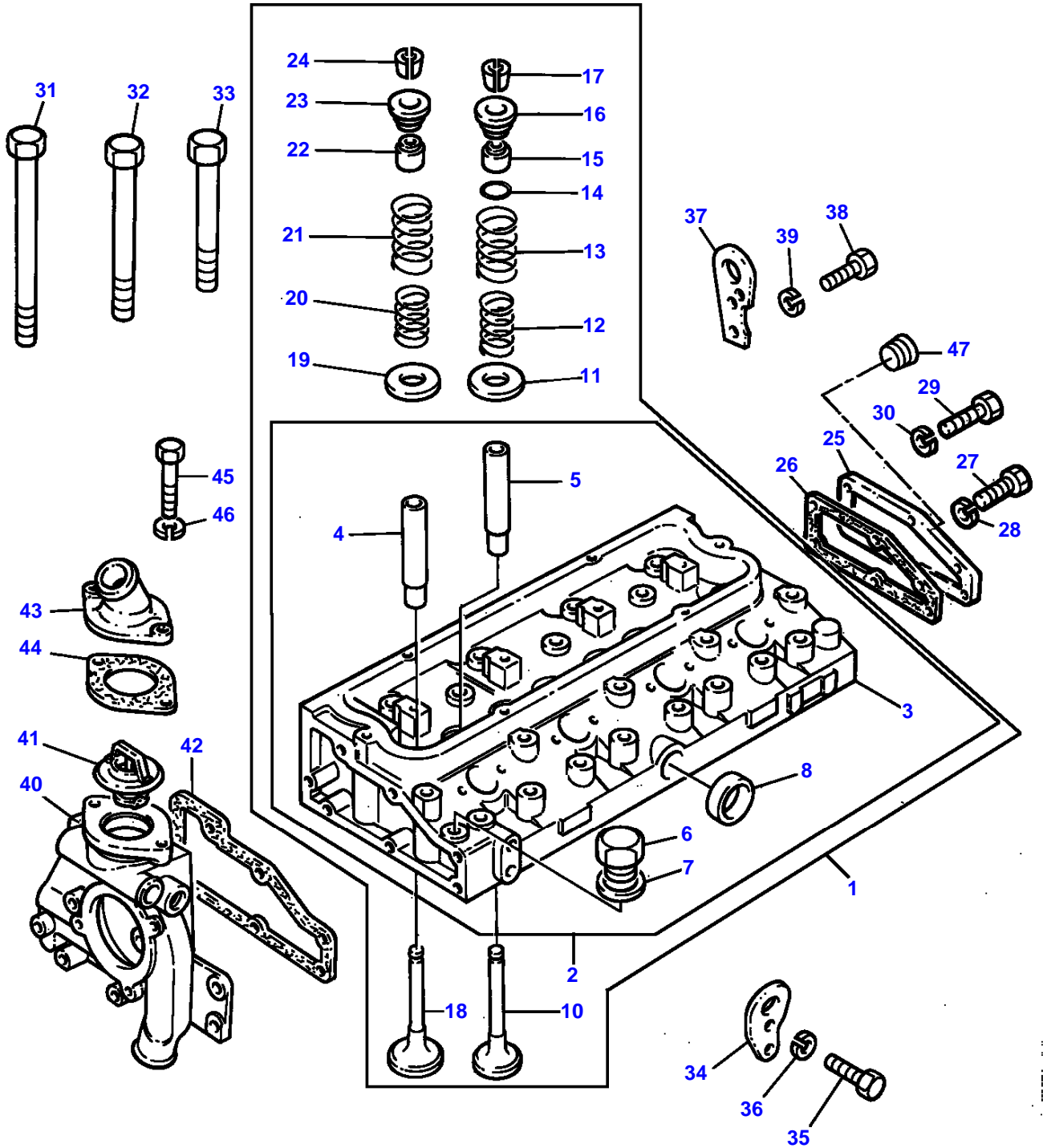
819755

CRANKSHAFT, PISTONS AND CONNECTING RODS - A4.236 ENGINE

4

Item	Part Number	Qty	Description	Comments
				UNTOPPED
				(C) PRE-TOPPED
				(D) NOT SUPPLIED WITH ASSEMBLY

**L-0566-25M-B**



CYLINDER HEAD - A4.236 ENGINE

Item	Part Number	Qty	Description	Comments
				A4.236 ENGINE
1	3637486M91	1	Cylinder Head	
2	3638333M91	1	Cylinder Head	(1)
3		1	Cylinder Head	Repairs and replaces 3637486M91 Repairs and replaces 3637783M91 (2)
4	3637056M1	4	Guide	Not serviced, order REF.2 (2)
5	748420M1	4	Guide	(2)
6	731410M1	1	Plug	(2)
7	376178X1	1	Washer	(2)
8	731354M1	1	Plug	(2)
10	747552M1	4	Valve Exhaust	(1)
10	741466M1	4	Valve Exhaust	(A) (B)
11	733824M1	4	Washer	(1)
12	747813M1	4	Spring	(1)
13	747814M1	4	Spring	(1)
14	1447652M1	4	Ring	(1)
15	3637041M1	4	Seal	(1)
16	746698M1	4	Cap	(1)
17	736453M1	8	Cotter	(1) (C)
18	735820M1	4	Valve Inlet	(1)
19	733824M1	4	Washer	(1)
20	747813M1	4	Spring	(1)
21	747814M1	4	Spring	(1)
22	3637041M1	4	Seal	(1)
23	746698M1	4	Cap	(1)
24	736453M1	8	Cotter	(1) (C)
25	748368M1	1	Plate	
26	3637039M1	1	Joint	
27	353536X1	2	Screw Unf	
28	1650486M1	2	Washer	
29	353518X1	4	Screw Unf	
30	1650484M1	4	Washer	
31	747741M1	2	Screw	
32	747742M1	12	Screw	
33	747743M1	8	Screw	
34	3638162M1	1	Plate	
35	16589X	2	Bolt	
36	1650486M1	2	Washer	
37	3638163M1	1	Plate	
38	16589X	2	Bolt	
39	1650486M1	2	Washer	
40		1	Housing	(D)
41		1	Thermostat	(D)
42		1	Joint	(D)
43	3638193M1	1	Connection	
44	745106M1	1	Joint	
45	345127X1	2	Bolt	
46	1650486M1	2	Washer	
47	376606X1	1	Plug	
				(A) REMOVE AND FIT 741466M1
				(B) FITTED IN PLACE OF EXHAUST VALVES SUPPLIED WITH CY LINDER HEAD ASSEMBLY
				(C) SERVICED IN PAIRS

MASSEY FERGUSON

MF 365 TRACTOR, ->| B18008 - 819755

819755

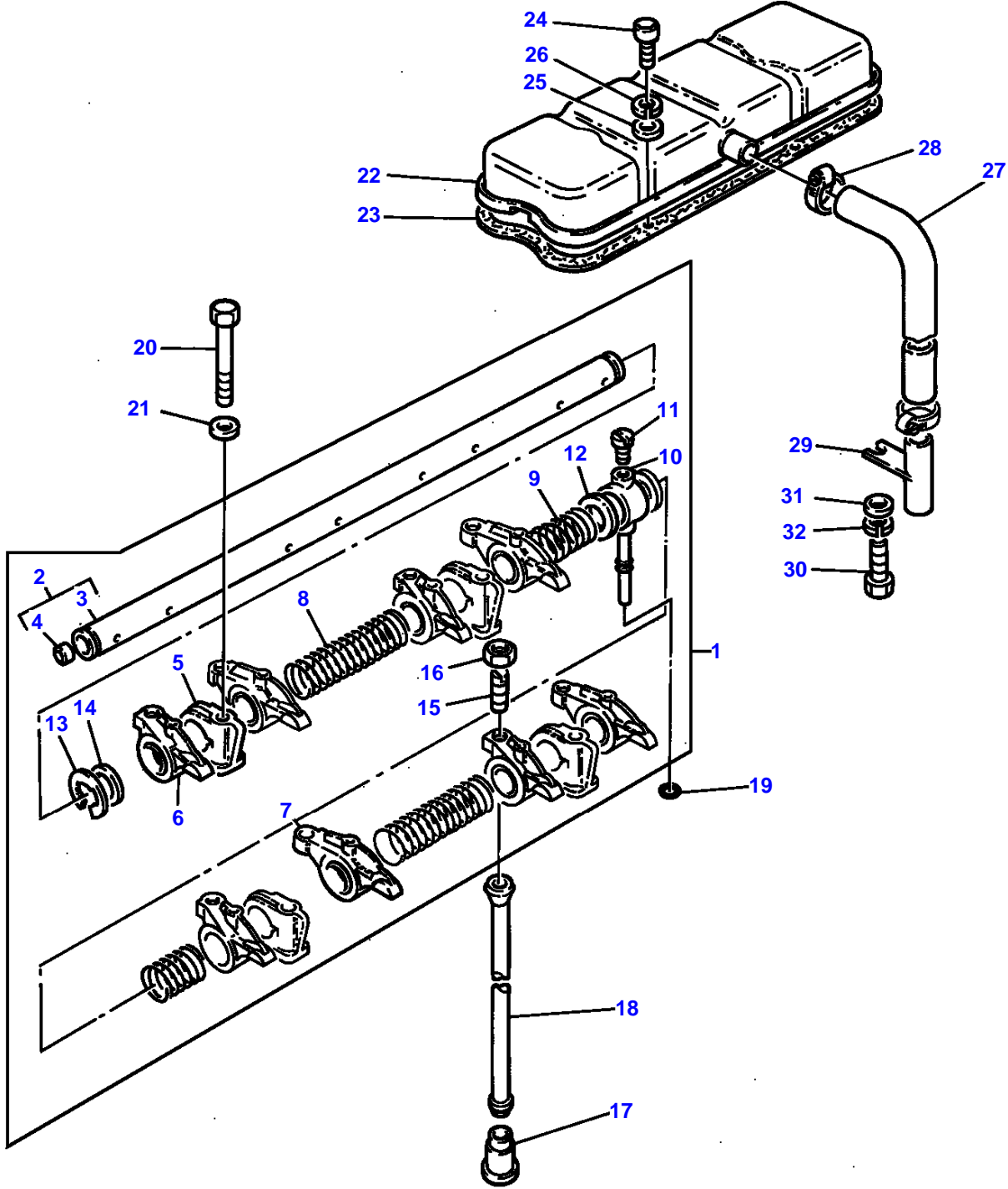
CYLINDER HEAD - A4.236 ENGINE

5

Item	Part Number	Qty	Description	Comments
------	-------------	-----	-------------	----------

				(D) SEE WATER PUMP SECTION
--	--	--	--	-------------------------------

L-0569-43M-A



ROCKER SHAFT - A4.236 ENGINE

Item	Part Number	Qty	Description	Comments
				A4.236 ENGINE
1	3637391M91	1	Rocker Shaft	Repairs and replaces 3637394M91
2	3637395M91	1	Rocker Shaft	(1)
3		1	Shaft	(2) Not serviced, order REF.2
4	731330M1	2	Plug	(2)
5	3638403M1	4	Bracket	(1) Repairs and replaces 3637063M1
6	733809M1	4	Lever	Repairs and replaces 746461M1 Right Hand
7	3637072M91	4	Lever	Left Hand Repairs and replaces 733810M1
8	733811M1	2	Spring	(1)
9	733812M1	2	Spring	(1)
10	3637064M1	1	Connection	(1)
11	3637065M1	1	Screw	(1)
12	739513M91	2	Shim	(1)
13	376137X1	2	Circlip	(1)
14	747876M1	2	Washer	(1)
15	731516M1	8	Bolt	(1)
16	376123X1	8	Nut	(1)
17	740671M1	8	Tappet	
18	733817M1	8	Rod	
19	376525X1	1	Olive	
20	361543X1	4	Bolt	
21	1440275X1	4	Washer Metric	
22	734912M91	1	Cover	
23	3638461M1	1	Joint	Repairs and replaces 746714M1
24	376192X1	4	Bolt	
25	344107X1	4	Washer	
26	353441X1	4	Lock Washer	
27	740497M1	1	Pipe	
28	3638598M1	1	Clip	Repairs and replaces 375790X1
29	740498M91	1	Pipe	
30	375829X1	1	Screw	Up to Serial or Engine Number U2267087
	3637695M1	1	Screw	From Serial or Engine Number U2267088
31	375703X1	1	Washer	(A)
32	1650484M1	1	Washer	(A)
				(A) FITTED UP TO ENGINE NUMBER U226708S

***Buy Now***



Our support email:

[ebooklibonline@outlook.com](mailto:ebooklibonline@outlook.com)