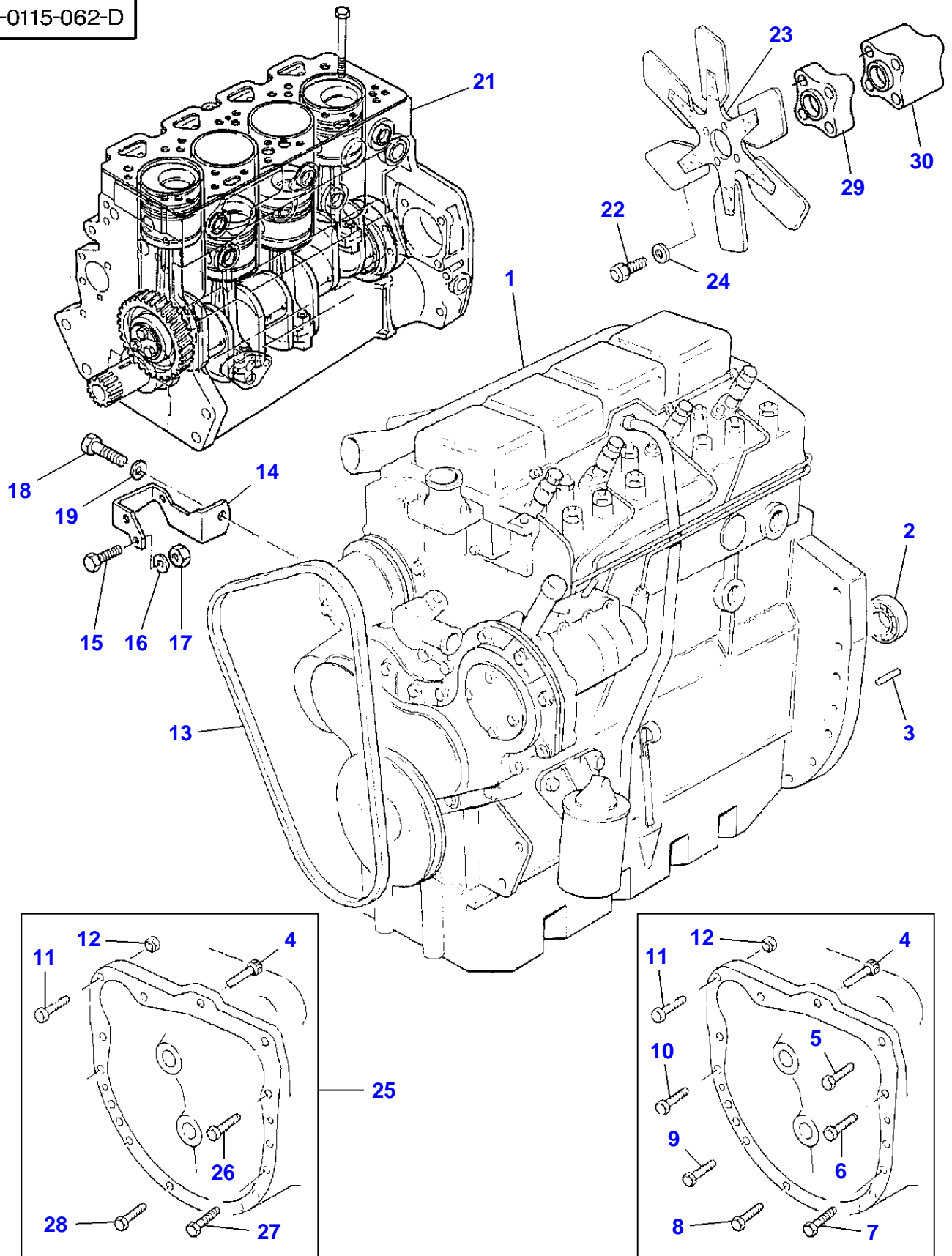


Page Title	Page Number
Section Divider - General Information	010-0005
Engine Installation	010-0010
Cylinder Block - A4.236 Engine - Up To J32002	010-0015
Cylinder Block - 4.41 Engine - From J32003	010-0020
Crankshaft, Pistons And Connecting Rods	010-0025
Cylinder Head - A4.236 Engine - Up To J32002	010-0030
Cylinder Head - 4.41 Engine - From J32003	010-0035
Rocker Shaft - A4.236 Engine - Up To J32002	010-0040
Rocker Shaft - 4.41 Engine - From J32003	010-0045
Timing Gear And Camshaft - A4.236 Engine - Up To J32002	010-0050
Timing Gear And Camshaft - 4.41 Engine - From J32003	010-0055
Balancer Unit	010-0060
Fuel Injection Equipment (Diesel) - A4.236 Engine - Up To J32002	010-0065
Fuel Injection Equipment (Diesel) - 4.41 Engine - From J32003	010-0070
Lubricating Oil Sump - A4.236 Engine - Up To J32002	010-0075
Lubricating Oil Sump - 4.41 Engine - From J32003	010-0080
Lubricating Oil Filler And Breather - 4.41 Engine - From J32003	010-0085
Lubricating Oil Filter And Integral Cooler - A4.236 Engine - Up To J32002	010-0090
Lubricating Oil Filter And Integral Cooler - 4.41 Engine - From J32003	010-0095
Water Pump, Thermostat And Heat Exchanger - A4.236 Engine - Up To J32002	010-0100
Water Pump, Thermostat And Heat Exchanger - 4.41 Engine - From J32003	010-0105
Water Pump, Thermostat And Heat Exchanger - 4.41 Engine - From J32003	010-0110
Alternator Positioner	010-0115
Air Induction And Exhaust System - A4.236 Engine - Up To J32002	010-0120
Air Induction And Exhaust System - 4.41 Engine - From J32003	010-0125
Fuel Oil Lift Pump - A4.236 Engine - Up To J32002	010-0130
Fuel Oil Lift Pump - 4.41 Engine - From J32003	010-0135
Joints And Gaskets	010-0140

3-0115-062-D



Item	Part Number	Qty	Description	Comments
1	3819784M91	1	Engine	[D] PEL - LD31188 A 4.236 UP TO SERIAL OR ENGINE NUMBER J32002 REPLACE AND REPAIR.OLD NOT INTERCHANGEABLE WITH NEW 3698481M91 REPAIRS AND REPLACES 3614 650 M91 REPAIRS AND REPLACES 3611 322 M91
	3819785M91	1	Engine	[A,D] PEL - LD31274 A 4.236 UP TO SERIAL OR ENGINE NUMBER J32002 REPLACE AND REPAIR.OLD NOT INTERCHANGEABLE WITH NEW 3760910M91
	3819786M91	1	Engine	[D] PEL - LD31289 A 4.236 UP TO SERIAL OR ENGINE NUMBER J32002 REPLACE AND REPAIR.OLD NOT INTERCHANGEABLE WITH NEW 3772259M91
	3820560M91	1	Engine	[D] PEL - A 4.41 FROM SERIAL OR ENGINE NUMBER J32003 +J28030
	3820561M91	1	Engine	[D] PEL - LM31470 A 4.41 FROM SERIAL OR ENGINE NUMBER J32003 +J28030
2	828123M2	1	Bearing Assy	
3	3792701M1	2	Centraliser	DIAMETER 9,5 X 19
4	3019858X1	1	Bolt Metric	UP TO SERIAL OR ENGINE NUMBER 30-11-1996 M12 X 35
	3807754M1	1	Bolt Metric	FROM SERIAL OR ENGINE NUMBER 31-11-1996 M12 X 45
5	3019851X1	1	Bolt Metric	M12 X 45
6	3019853X1	2	Bolt Metric	M12 X 60
7	3019855X1	2	Bolt Metric	M12 X 70
8	3019851X1	2	Bolt Metric	M12 X 45
9	3019855X1	2	Bolt Metric	M12 X 70
10	3019853X1	3	Bolt Metric	M12 X 60
11	3019851X1	1	Bolt Metric	M12 X 45
12	3019862X1	1	Nut Metric	M12
13	1447778M91	1	Kit, Belt	UP TO SERIAL OR ENGINE NUMBER 12-02-1992 LENGHT 1387 MM
	1687531M1	1	V Belt	FROM SERIAL OR ENGINE NUMBER 13-02-1992 LENGHT 1325 MM
14	1694276M4	1	Bracket	FROM SERIAL OR ENGINE NUMBER 01-1992
15	376334X1	1	Screw Unc	5/16-18 X 32
16	353755X1	1	Washer	DIAMETER 8,7-17,5 X 1,6
17	355565X1	1	Nut Unc	5/16-18
18	353536X1	1	Screw Unf	3/8-24 X 19
19	353756X1	1	Washer	DIAMETER 10,3-20,6 X 1,6
21	3641151M91	1	Short Engine	(1) UP TO SERIAL OR ENGINE NUMBER U425413U REPAIRS AND REPLACES 3476390M91
	3641217M91	1	Short Engine	(1) FROM SERIAL OR ENGINE NUMBER U425414U REPAIRS AND REPLACES 3478237M91
22	353518X1	4	Screw Unf	5/16-24 X 22
	353529X1	4	Bolt Unf	[C] 5/16-24 X 2-1/4
	339010X1	4	Bolt Metric	[E] FROM SERIAL OR ENGINE NUMBER J32003 TWO WHEEL DRIVE M8 X 40
	390246X1	4	Bolt	[E] FROM SERIAL OR ENGINE NUMBER J32003 FOUR WHEEL DRIVE M8 X 70
23	1874995M92	1	Fan	
24	339374X1	4	Lock Washer	
25	3699137M91	1	Kit, Fitting	[B]

Engine Installation

Item	Part Number	Qty	Description	Comments
26	3699132M1	5	Bolt	(25) 7/16-14 X 60
27	3699133M1	4	Bolt	(25) 7/16-14 X 70
28	3699130M1	3	Bolt	(25) 7/16-14 X 45
29	4224232M1	1	Extension	[C] UP TO SERIAL OR ENGINE NUMBER J32002
29	3638570M1	1	Spacer	[E] FROM SERIAL OR ENGINE NUMBER J32003
30	736679M2	1	Extension	[C] UP TO SERIAL OR ENGINE NUMBER J32002
30	743046M2	1	Extension	[E] FROM SERIAL OR ENGINE NUMBER J32003 TWO WHEEL DRIVE
30	3699880M1	1	Spacer	[E] FROM SERIAL OR ENGINE NUMBER J32003 FOUR WHEEL DRIVE

FOOTNOTE [A] LESS PRESERVATIVE

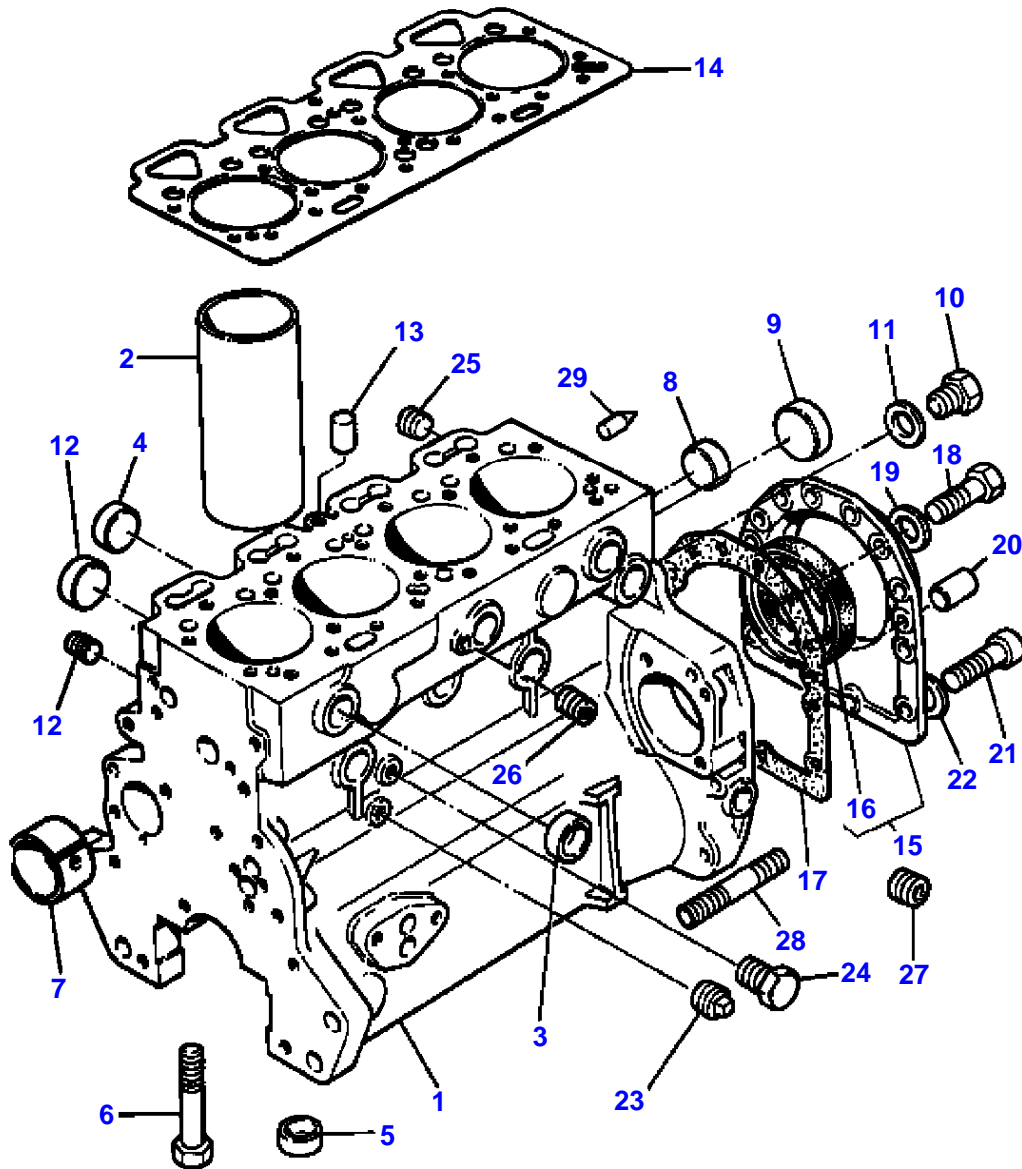
FOOTNOTE [B] METRIC ENGINE TO IMPERIAL TRANSMISSION CASE

FOOTNOTE [C] USE WITH ENGINE PEL LD31289

FOOTNOTE [D] OIL FILTER AND FLYWHEEL ARE NOT INCLUDE IN THE ENG INE ASSEMBLY

FOOTNOTE [E] USE WITH ENGINE TYPE A 4.41

3-0560-027-A



Item	Part Number	Qty	Description	Comments
1	3641082M91	1	Cylinder Block	
2	3637331M1	4	Liner	[A] (1)
	3637332M1	X	Liner	[B]
3	731354M1	6	Plug	(1)
4	746259M1	4	Plug	(1)
5	733072M1	10	Ring	(1)
6	1476108X1	10	Screw	(1)
7	4222017M1	1	Bush	(1) REPAIRS AND REPLACES 3638093M1 REPAIRS AND REPLACES 734883M1
8	731354M1	2	Plug	(1)
9	4222043M1	1	Plug	REPLACE AND REPAIR.OLD NOT INTERCHANGEABLE WITH NEW 733705M1
10	376180X1	1	Plug	
11	4224555M1	1	Washer	
12	4222012M1	4	Plug	
13	736868M1	1	Plug	
14	4222124M1	1	Gasket	
15	3640868M91	1	Housing	[C]
16	1447691M1	1	Seal	(15)
17	4223587M1	1	Joint	REPAIRS AND REPLACES 3640867M1 REPAIRS AND REPLACES 3638520M1 REPAIRS AND REPLACES 740828M1
18	353519X1	10	Screw Unf	[D]
	353519X1	12	Screw Unf	[E]
19	375703X1	10	Washer	[D]
	375703X1	12	Washer	[E]
20	731947M1	2	Dowel	
21	357987X1	2	Bolt	
22	745015M1	2	Washer	
23	731996M1	1	Plug	
24	376670X1	2	Plug	
25	363819X1	2	Plug	
26	748040M1	1	Plug	
27	363819X1	1	Plug	
28	731862M1	3	Stud	
29	745017M1	1	Pointer	

FOOTNOTE [A] PRESS FIT

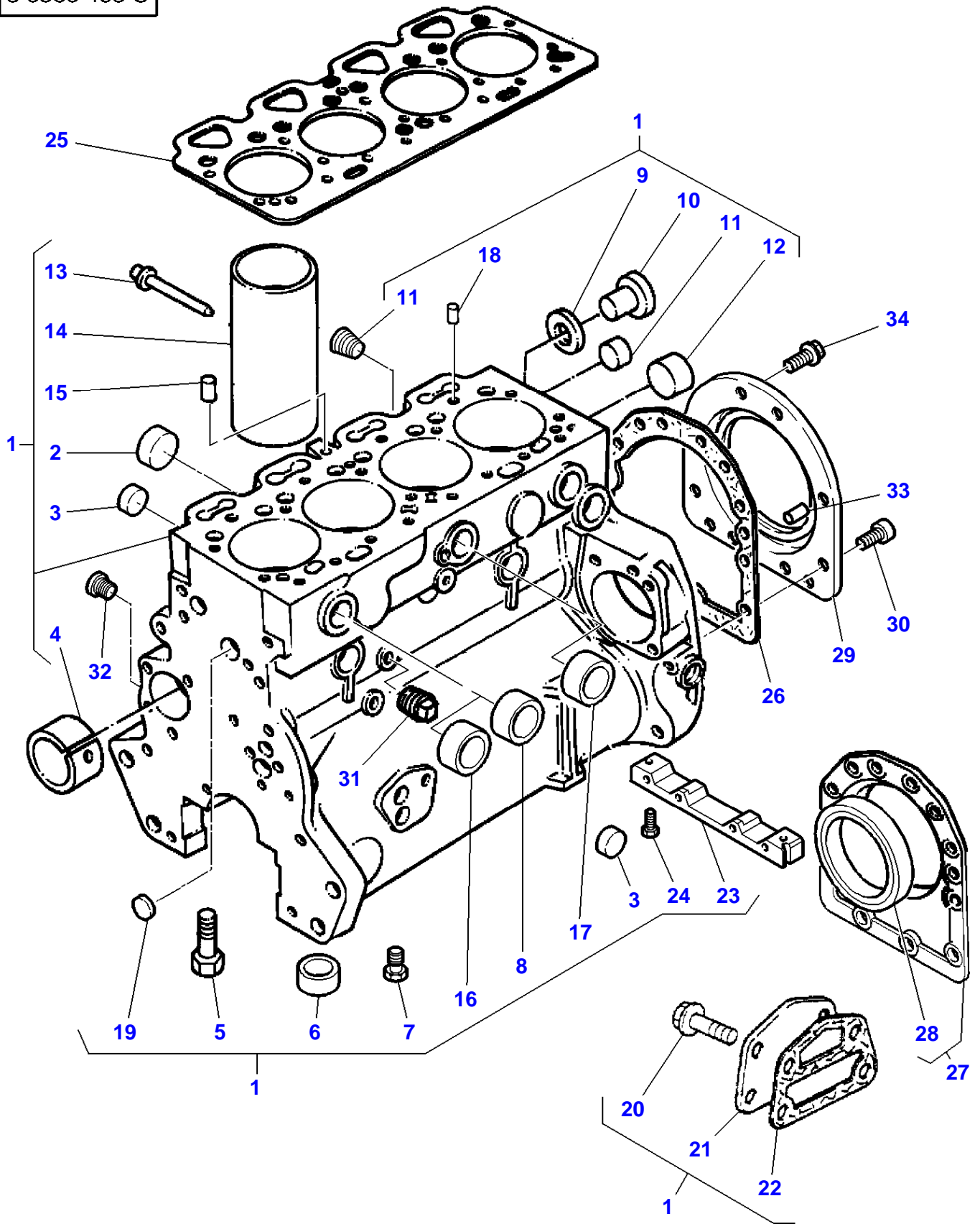
FOOTNOTE [B] SLIP FIT

FOOTNOTE [C] WAS 3638347M91 USE 3640868M91 + 3641089M1 + 353519 X1 (2) + 375703X1 (2) + 3641090M1

FOOTNOTE [D] USED ONLY WITH 748163M91/3638347M91

FOOTNOTE [E] USED ONLY WITH 3640868M91

3-0560-405-C

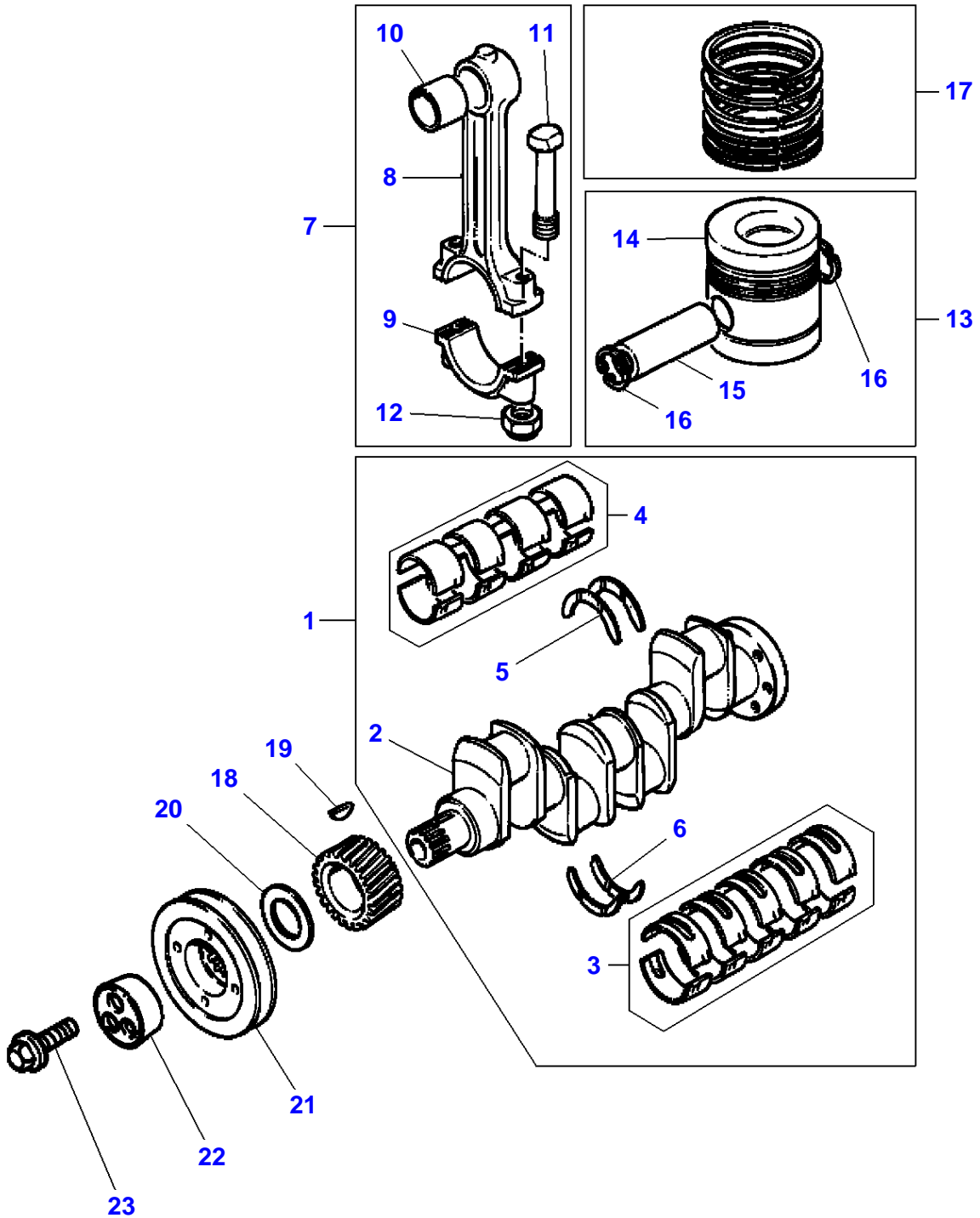


Item	Part Number	Qty	Description	Comments
1	4224538M91	1	Kit,Cyl.Block	REPAIRS AND REPLACES 4222277M91
2	4222012M1	4	Plug	(1) UP TO SERIAL OR ENGINE NUMBER ...
	4224540M1	4	Plug	(1) FROM SERIAL OR ENGINE NUMBER ...
3	363819X1	3	Plug	(1)
4	4222017M1	1	Bush	(1)
5	1476108X1	10	Screw	(1)
6	733072M1	10	Ring	(1)
7	376670X1	4	Plug	(1)
8	731354M1	5	Plug	(1)
9	4224555M1	1	Washer	(1)
10	376180X1	1	Plug	(1)
11	746259M1	6	Plug	(1)
12	4222043M1	1	Plug	(1)
13	1476282X1	1	Plug	(1)
14	3637333M1	4	Liner	[A] (1)
	3637334M1	X	Liner	[B] (1)
15	736868M1	1	Plug	(1)
16	3641736M1	1	Plug	(1) DIAMETER 25,971 +/-0,063MM
17	731354M1	1	Plug	(1) DIAMETER 32,397 +/-0,114MM
18	4222439M1	2	Dowel	(1)
19	731856M1	1	Plug	(1)
20	3638424M1	4	Screw	(1)
21	4222048M1	1	Plate	(1)
22	3638708M1	1	Joint	(1)
23	4224664M1	1	Bridge Piece	(1) FROM SERIAL OR ENGINE NUMBER ...
24	3637236M1	2	Screw	(1)
25	4224501M1	1	Head Gasket	REPLACE AND REPAIR.OLD NOT INTERCHANGEABLE WITH NEW 4222534M1
26	4223587M1	1	Joint	
27	3640868M91	1	Housing	UP TO SERIAL OR ENGINE NUMBER U993670H
28	1447691M1	1	Seal	(27)
29	4224532M1	1	Housing	FROM SERIAL OR ENGINE NUMBER U993671H
30	3641756M1	2	Screw	
31	731996M1	1	Plug	
32	376670X1	1	Plug	
33	731947M1	2	Dowel	
34	3637008M1	12	Screw	

FOOTNOTE [A] PRESS FIT

FOOTNOTE [B] SLIP FIT

3-0563-027-B



Crankshaft, Pistons And Connecting Rods

Item	Part Number	Qty	Description	Comments
1	3637401M91	1	Kit, Crankshaft	[E]
	3641031M91	1	Kit, Crankshaft	[D]
2		1	Crankshaft	(1) NOT SERVICED, ORDER REF. 1
3	735168M91	1	Kit, Bearing	[A] (1)
	735169M91	X	Kit, Bearing	[A] THICKNESS (-)0.25MM THICKNESS (-)0.010"
	735170M91	X	Kit, Bearing	[A] THICKNESS (-)0.50MM THICKNESS (-)0.020"
	735171M91	X	Kit, Bearing	[A] THICKNESS (-)0.75MM THICKNESS (-)0.030"
4	736950M91	1	Kit, Bearing	[A] (1)
	736951M91	X	Kit, Bearing	[A] THICKNESS (-)0.25MM THICKNESS (-)0.010"
	736952M91	X	Kit, Bearing	[A] THICKNESS (-)0.50MM THICKNESS (-)0.020"
	736953M91	X	Kit, Bearing	[A] THICKNESS (-)0.75MM THICKNESS (-)0.030"
5	747128M1	2	Thrust Washer	(1)
	735742M1	X	Washer	THICKNESS (+)0.19MM THICKNESS (+)0.0075"
6	747129M1	2	Thrust Washer	(1)
	735743M1	X	Washer	THICKNESS (+)0.19MM THICKNESS (+)0.0075"
7	3637034M91	4	Kit, Conrod	
8		1	Conrod	(7) NOT SERVICED, ORDER REF. 7
9		1	Cap	(7) NOT SERVICED, ORDER REF. 7
10	733767M1	1	Bush	(7)
11	4222485M1	2	Screw	(7) REPLACE AND REPAIR.OLD NOT INTERCHANGEABLE WITH NEW 3637029M1
12	3637030M1	2	Nut	(7)
13	743108M91	4	Kit, Piston	[B,E] UP TO SERIAL OR ENGINE NUMBER U425413U
	743110M91	4	Piston	[C,E] UP TO SERIAL OR ENGINE NUMBER U425413U
	743111M91	X	Kit, Piston	[C,E] THICKNESS (+)0.75MM THICKNESS (+)0.030"
	3637515M91	4	Kit, Piston	[B,E] FROM SERIAL OR ENGINE NUMBER U425414U
	3637516M91	4	Kit, Piston	[C,E] FROM SERIAL OR ENGINE NUMBER U425414U
	4223499M91	4	Kit, Piston	[D]
14		1	Piston	(13) NOT SERVICED, ORDER REF. 13
15		1	Pin	(13) NOT SERVICED, ORDER REF. 13
16	376131X1	2	Clip	(13)
17	745760M91	4	Kit, Piston Ring	[E]
	745786M91	X	Kit, Piston Ring	[E] THICKNESS (+)0.75MM THICKNESS (+)0.030"
	4222053M91	X	Kit, Piston Ring	[D]
18	734749M1	1	Gear	[E] NUMBER OF TEETH/SPINES 28
	3638105M1	1	Gear	[D]
19	2196X	1	Key	
20	742539M1	1	Washer	
21	3638098M1	1	Pulley	[E] REPAIRS AND REPLACES 3638098M1
	748238M1	1	Pulley	[D]
22	3638115M1	1	Thrust Block	

Item	Part Number	Qty	Description	Comments
23	3638113M1	3	Screw	

FOOTNOTE [A] PRE-FINISHED

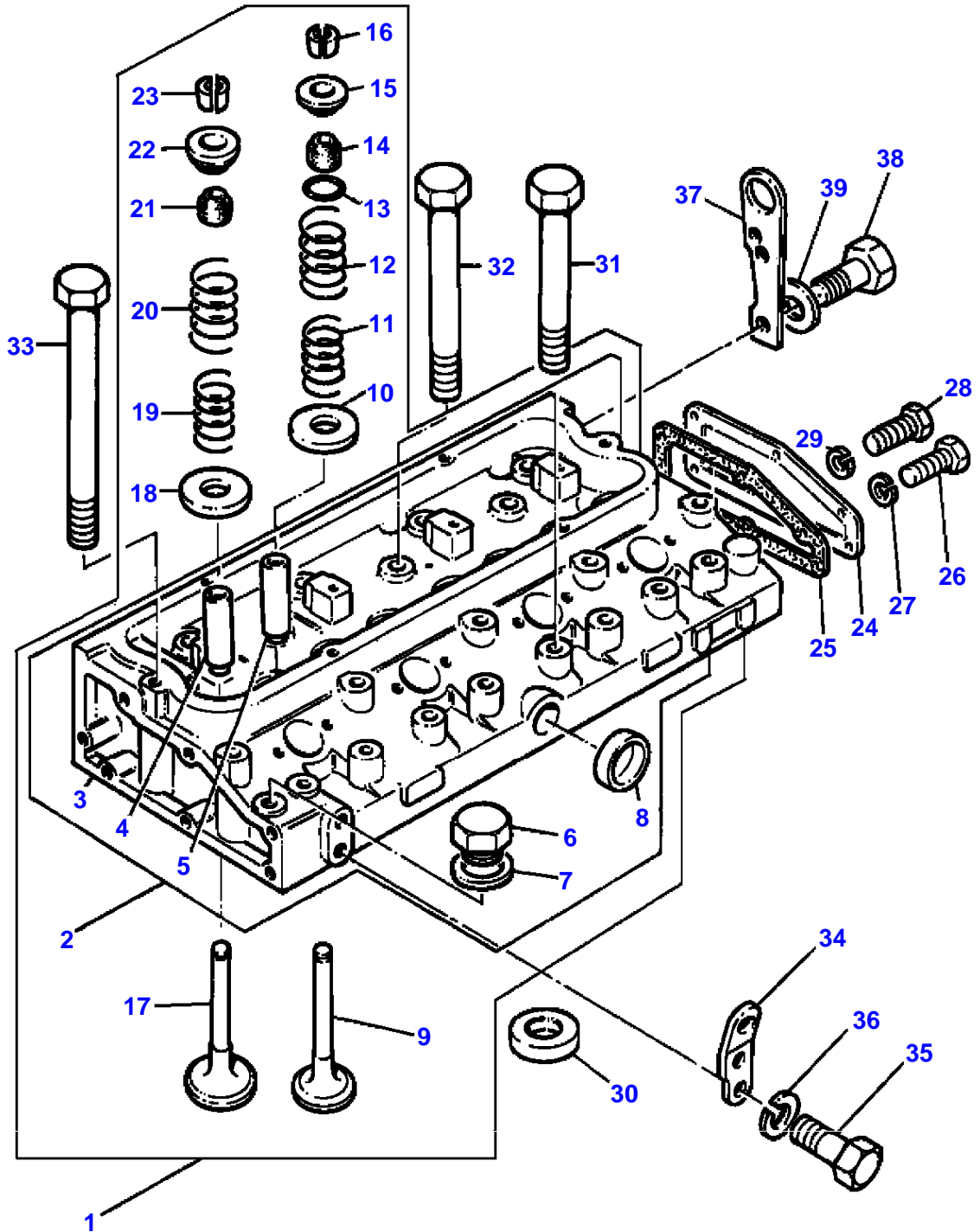
FOOTNOTE [B] UNTOPPED

FOOTNOTE [C] PRE-TOPPED

FOOTNOTE [D] USE WITH ENGINE TYPE A 4.41

FOOTNOTE [E] USE WITH ENGINE TYPE A4.236

3-0566-031-A



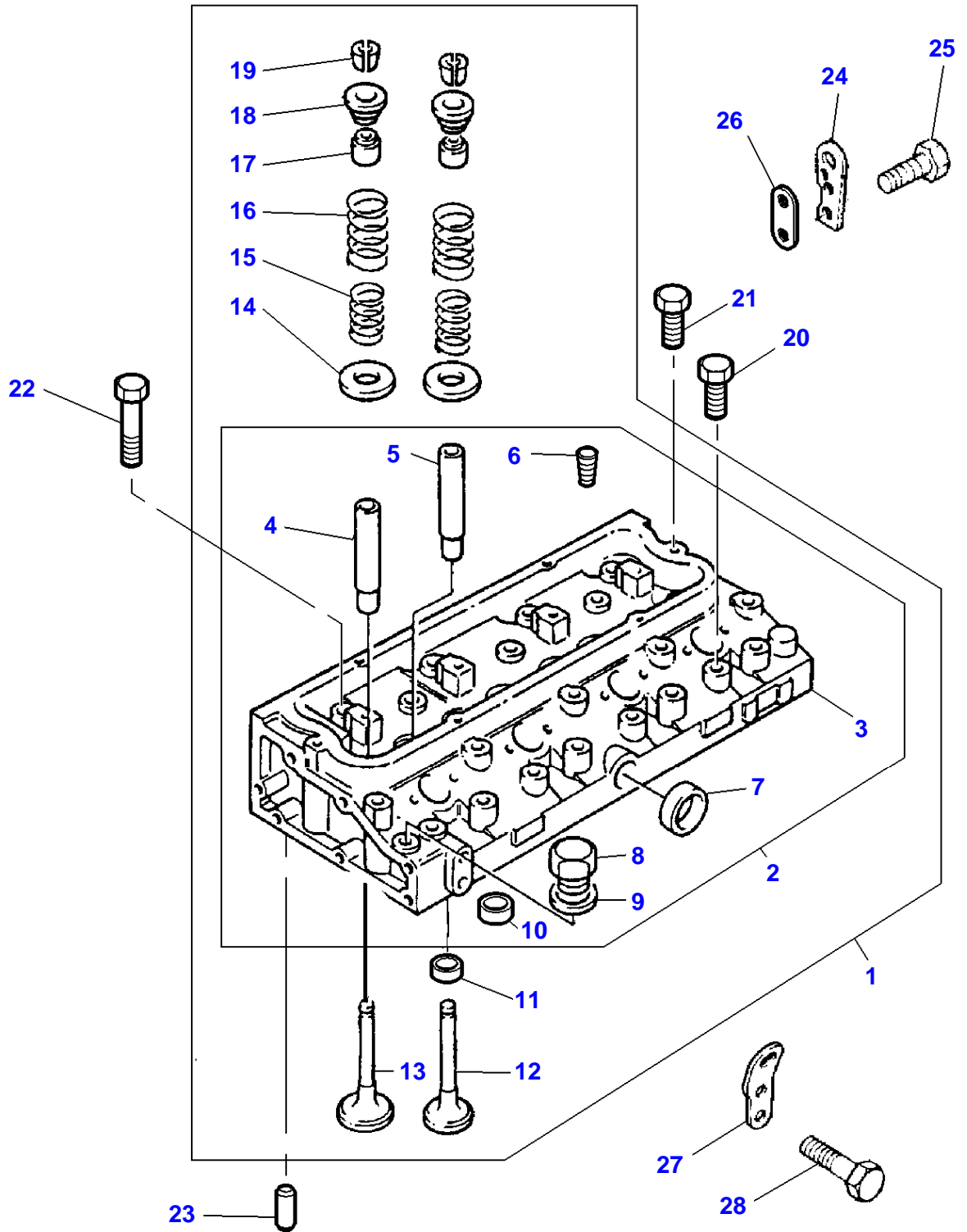
Item	Part Number	Qty	Description	Comments
1	3640877M91	1	Kit, Cyl. Head	
2	3641088M1	1	Cylinder Head	(1) REPAIRS AND REPLACES 3637386M91
3		1	Head	(2) NOT SERVICED, ORDER REF. 2
4	4223073M1	4	Guide	(2) REPLACE AND REPAIR.OLD NOT INTERCHANGEABLE WITH NEW 3640676M1
5	4223074M1	4	Guide	(2) REPLACE AND REPAIR.OLD NOT INTERCHANGEABLE WITH NEW 748420M1
6	731410M1	1	Plug	(2)
7	376178X1	1	Washer	(2)
8	731354M1	1	Plug	(2)
9	741466M1	4	Valve Exhaust	(1)
10	733824M1	4	Washer	(1)
11	740465M1	4	Spring	(1)
12	740467M1	4	Spring	(1)
13	1447652M1	4	Ring	(1)
14	3637041M1	4	Seal	(1)
15	740468M1	4	Cap	(1)
16	736453M1	8	Cotter	[A] (1)
17	735820M1	4	Valve Inlet	(1)
18	733824M1	4	Washer	(1)
19	740465M1	4	Spring	(1)
20	740467M1	4	Spring	(1)
21	3637041M1	4	Seal	(1)
22	740468M1	4	Cap	(1)
23	736453M1	8	Cotter	[A] (1)
24	747753M1	1	Plate	[B]
	748368M1	1	Plate	[C]
25	3638703M1	1	Joint	
26	353536X1	2	Screw Unf	[C] 3/8-24 X 19
	353538X1	2	Screw Unf	[C] 3/8-24 X 25
27	353434X1	2	Lock Washer	[C] 3/8
28	353518X1	4	Screw Unf	5/16-24 X 22
29	353446X1	4	Lock Washer	5/16
30	743097M1	X	Insert	(1)
31	747743M1	8	Screw	
32	747742M1	12	Bolt	
33	747741M1	2	Screw	
34	3638162M1	1	Plate	
35	353538X1	2	Screw Unf	3/8-24 X 25
36	353434X1	2	Lock Washer	3/8
37	3638163M1	1	Plate	
38	353538X1	2	Screw Unf	3/8-24 X 25
39	353434X1	2	Lock Washer	3/8

FOOTNOTE [A] SERVICED IN PAIRS

FOOTNOTE [B] USED ON CYLINDER HEAD WITH FIXING HOLES 6 OFF 5/16

FOOTNOTE [C] USED ON CYLINDER HEAD WITH FIXING HOLES 4 OFF 5/16 - 2 OFF 3/8"

3-0566-404-A



Buy Now



Our support email:

ebooklibonline@outlook.com