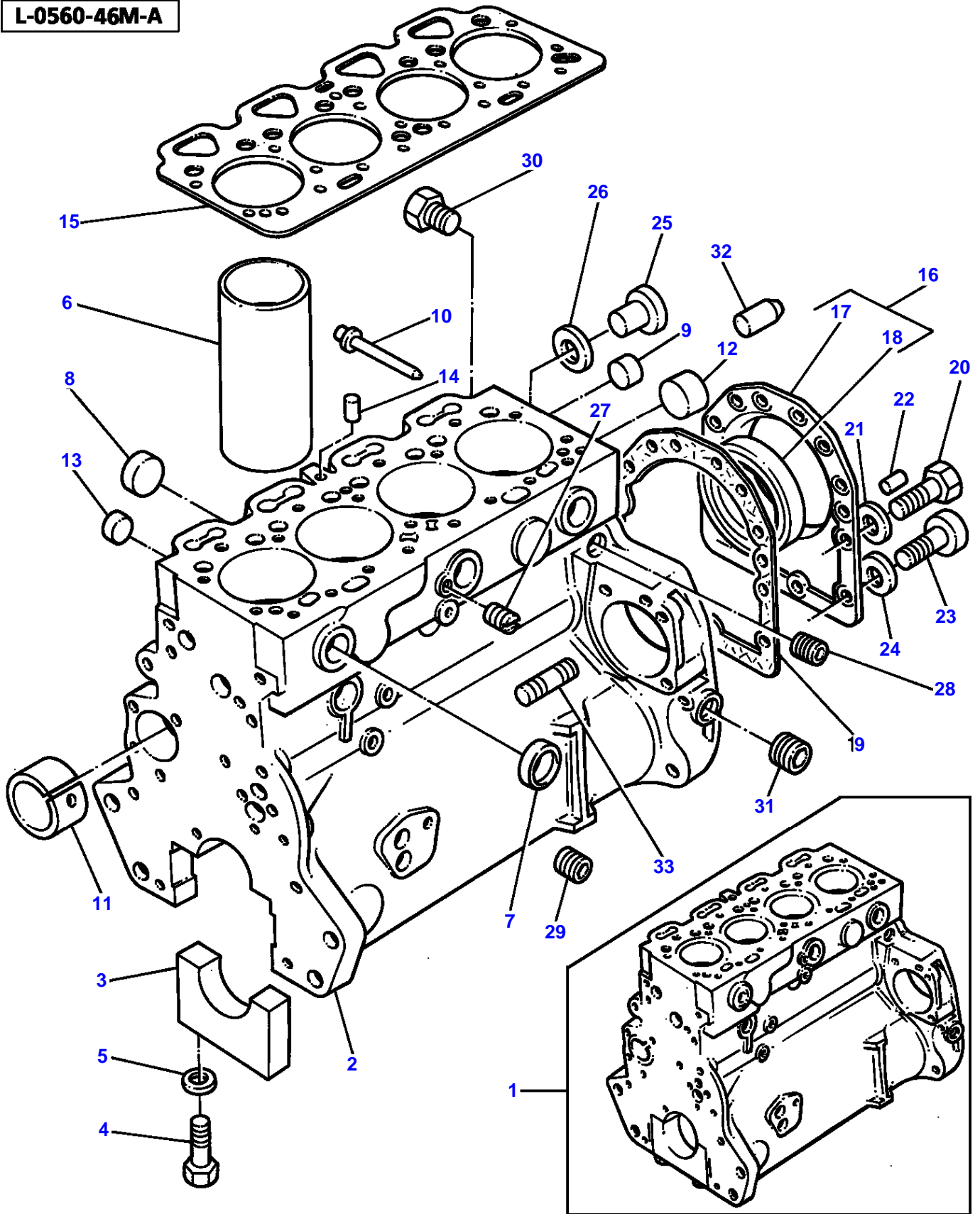


Page Title	Page Number
Section Divider	010-0005
Section Divider	010-0010
Engine Installation	010-0015
Cylinder Block - A4.236 Engine	010-0020
Crankshaft, Pistons And Connecting Rods - A4.236 Engine	010-0025
Cylinder Head - A4.236 Engine	010-0030
Rocker Shaft - A4.236 Engine	010-0035
Timing Gear And Camshaft - A4.236 Engine	010-0040
Balancer Unit - A4.236 Engine	010-0045
Fuel Injection Equipment (Diesel) - A4.236 Engine	010-0050
Lubricating Oil Sump - A4.236 Engine	010-0055
Lubricating Oil Filter And Integral Cooler - A4.236 Engine	010-0060
Water Pump, Thermostat And Heat Exchanger - A4.236 Engine	010-0065
Fuel Oil Lift Pump - A4.236 Engine	010-0070
Air Induction And Exhaust System - A4.236 Engine	010-0075
Alternator Positioner - A4.236 Engine	010-0080
Joints And Gaskets - A4.236 Engine	010-0085

L-0560-46M-A



Item	Part Number	Qty	Description	Comments
1	3641082M91	1	Cylinder Block	Repairs and replaces 3637379M91
2		1	Cylinder Block	(1) Not serviced,order REF.1
3		5	Bearing Cap	(1) Not serviced,order REF.1
4	1476108X1	10	Screw	(1)
5	733072M1	10	Ring	(1)
6	3637331M1	4	Liner	[A] (1)
	3637332M1	X	Liner	[B]
7	731354M1	6	Plug	(1)
8	735944M1	4	Plug	(1) Up to Serial or Engine Number 04/03/94
	746259M1	4	Plug	(1) From Serial or Engine Number 05/03/94
9	731354M1	2	Plug	(1)
10	1476282X1	1	Plug	(1)
11	4222017M1	1	Bush	(1) Repairs and replaces 3638093M1 Repairs and replaces 734883M1
12	4222043M1	1	Plug	(1) Replace and repair. Old not interchangeable with new 733705M1
13	4222012M1	4	Plug	(1)
14	736868M1	1	Plug	
15	4222500M1	1	Head Gasket	Repairs and replaces 3637341M1
16	3640868M91	1	Housing	[C] Repairs and replaces 748163M91
17		1	Housing	(16) Not serviced,order REF.16
18	1447691M1	1	Seal	(16)
19	4223587M1	1	Joint	Up to Serial or Engine Number 04/03/94 Repairs and replaces 3638520M1 Repairs and replaces 740828M1
	4223587M1	1	Joint	From Serial or Engine Number 05/03/94
20	353519X1	10	Screw Unf	[D]
	353519X1	12	Screw Unf	[E]
21	375703X1	10	Washer	[D]
	375703X1	12	Washer	[E]
22	731947M1	2	Dowel	
23	357987X1	2	Bolt	
24	745015M1	2	Washer	
25	376180X1	1	Plug	(1)
26	3638664M1	1	Washer	Up to Serial or Engine Number 04/03/94
	3638664M1	1	Washer	(1) From Serial or Engine Number 05/03/94
27	745174M1	1	Plug	Up to Serial or Engine Number 04/03/94
	363819X1	2	Plug	From Serial or Engine Number 05/03/94
28	363819X1	2	Plug	(1)
29	731996M1	1	Plug	Repairs and replaces 365332X1
30	376670X1	3	Plug	
31	363819X1	1	Plug	
32	745017M1	1	Pointer	
33	731862M1	3	Stud	

FOOTNOTE [A] PRESS FIT

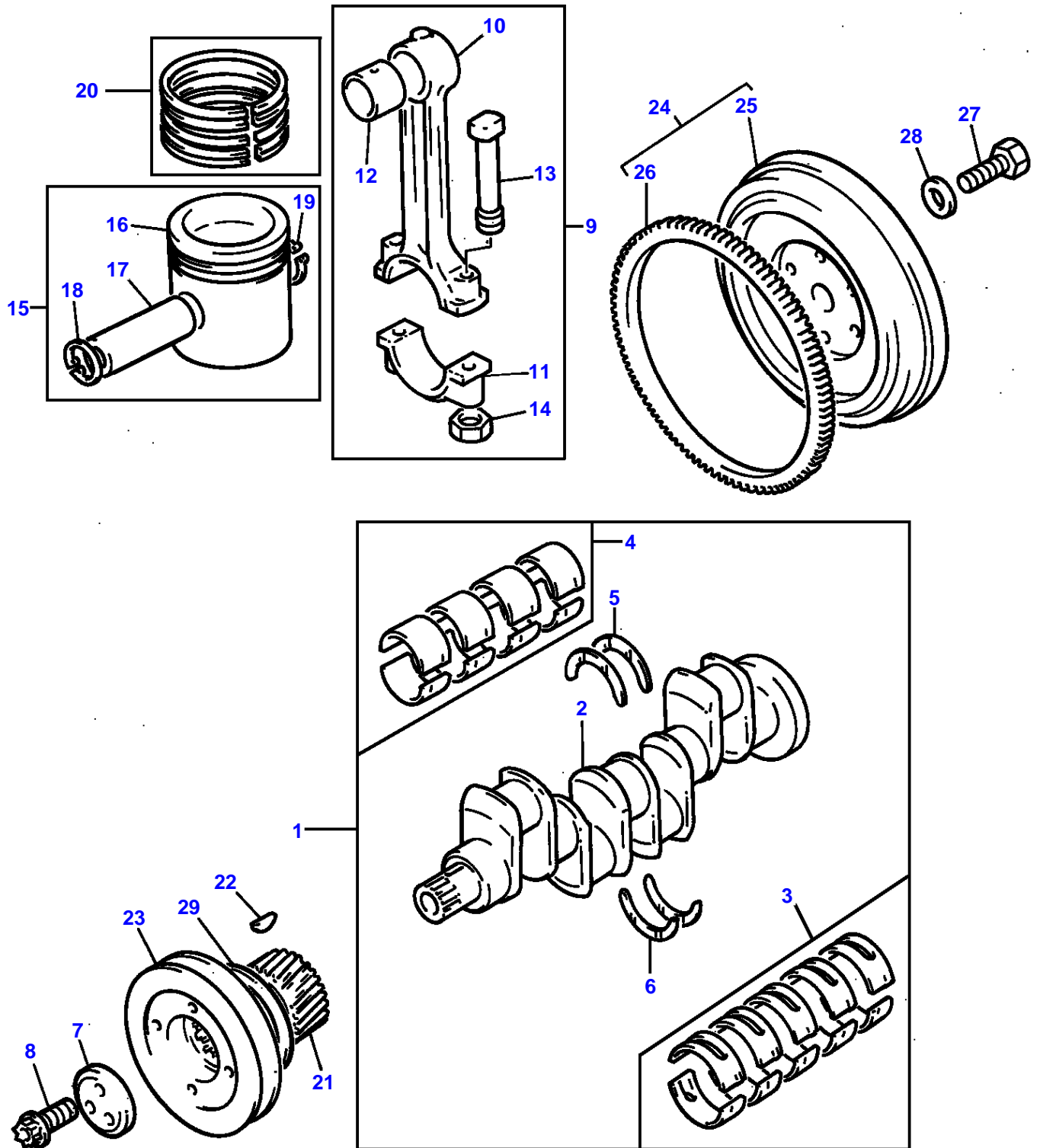
FOOTNOTE [B] SLIP FIT

FOOTNOTE [C] WAS 3638347M91 USE 3640868M91 + 3641089M1 + 353519 X1 (2) + 375703X1 (2) + 3641090M1

FOOTNOTE [D] USED ONLY WITH 748163M91/3638347M91

FOOTNOTE [E] USED ONLY WITH 3640868M91

L-0563-23M-B



Item	Part Number	Qty	Description	Comments
1	3637401M91	1	Kit, Crankshaft	
2		1	Crankshaft	(1) Not serviced,order REF.1
3	735168M91	1	Kit, Bearing	[A] (1)
	735169M91	X	Kit, Bearing	[A] Thickness (-)0.25MM Thickness (-)0.010"
	735170M91	X	Kit, Bearing	[A] Thickness (-)0.050MM Thickness (-)0.020"
	735171M91	X	Kit, Bearing	[A] Thickness (-)0.075MM Thickness (-)0.030"
4	736950M91	1	Kit, Bearing	[A] (1)
	736951M91	X	Kit, Bearing	[A] Thickness (-)0.25MM Thickness (-)0.010"
	736952M91	X	Kit, Bearing	[A] Thickness (-)0.50MM Thickness (-)0.020"
	736953M91	X	Kit, Bearing	[A] Thickness (-)0.75MM Thickness (-)0.030"
5	747128M1	2	Thrust Washer	(1)
	735742M1	X	Washer	Thickness (+)0.19MM Thickness (+)0.0075"
6	747129M1	2	Thrust Washer	(1)
	735743M1	X	Washer	Thickness (+)0.19MM Thickness (+)0.0075"
7	3638115M1	1	Thrust Block	[D]
8	3638113M1	3	Screw	[D]
9	3637034M91	4	Kit, Conrod	
10		1	Conrod	(9) Not serviced,order REF.9
11		1	Cap	(9) Not serviced,order REF.9
12	733767M1	1	Bush	(9)
13	4222485M1	2	Screw	(9) Replace and repair. Old not interchangeable with new 3637029M1
14	3637030M1	2	Nut	(9)
15	3637515M91	4	Kit, Piston	[B]
	3637516M91	4	Kit, Piston	[C]
16		1	Piston	(15) Not serviced,order REF.15
17		1	Pin	(15) Not serviced,order REF.15
18	376131X1	1	Clip	(15)
19	376131X1	1	Clip	(15) Not serviced,order REF.15
20	745760M91	4	Kit, Piston Ring	
21	734749M1	1	Gear	Number of teeth/spines 28 Up to Serial or Engine Number U171963P
	3638105M1	1	Gear	Number of teeth/spines 28 From Serial or Engine Number U171964P
22	2196X	1	Key	
23	3638098M1	1	Pulley	
24	742106M91	1	Flywheel	
25		1	Flywheel	Not serviced,order REF.24
26	731008M1	1	Annular Gear	(24) Number of teeth/spines 115
27	375763X1	6	Screw	
28	745365M1	6	Washer	Repairs and replaces 737514M1
29	742539M1	1	Washer	

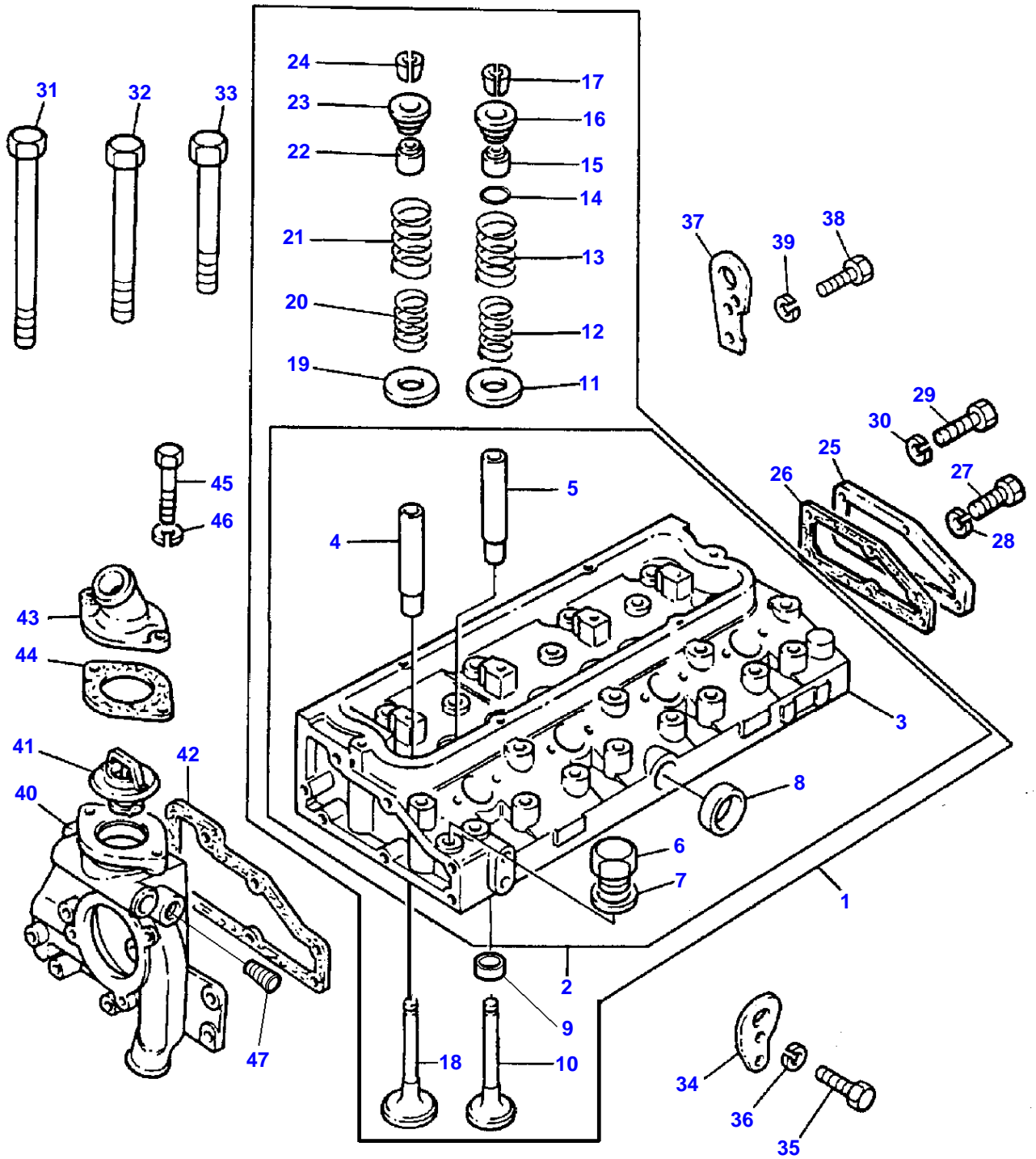
FOOTNOTE [A] PRE-FINISHED

FOOTNOTE [B] UNTOPPED

FOOTNOTE [C] PRE-TOPPED

FOOTNOTE [D] NOT SUPPLIED WITH ASSEMBLY

L-0566-25M-C



Item	Part Number	Qty	Description	Comments
1	3640877M91	1	Kit, Cyl. Head	Repairs and replaces 3637486M91
2	3641088M1	1	Cylinder Head	(1) Repairs and replaces 3637486M91 Repairs and replaces 3637783M91 Repairs and replaces 3638333M91
3		1	Cylinder Head	(2) Not serviced,order REF.2
4	4223073M1	4	Guide	(2) Replace and repair. Old not interchangeable with new 3640676M1
5	4223074M1	4	Guide	(2) Replace and repair. Old not interchangeable with new 748420M1
6	731410M1	1	Plug	(2)
7	376178X1	1	Washer	(2)
8	731354M1	1	Plug	(2)
9	743097M1	4	Insert	From Serial or Engine Number 05/03/94
10	747552M1	4	Valve Exhaust	[A,F] (1) STANDARD Up to Serial or Engine Number Thickness (+)0.003"
	747553M1	X	Valve Exhaust	Up to Serial or Engine Number Thickness (+)0.015"
	747554M1	X	Valve Exhaust	Up to Serial or Engine Number Thickness (+)0.030"
	747554M1	X	Valve Exhaust	Up to Serial or Engine Number Thickness (+)0.030"
	741466M1	4	Valve Exhaust	[B,G] (1) STANDARD From Serial or Engine Number Thickness (+)0.003"
	741937M1	X	Valve Exhaust	From Serial or Engine Number Thickness (+)0.015"
	741938M1	X	Valve Exhaust	From Serial or Engine Number Thickness (+)0.015"
	741939M1	X	Valve Exhaust	From Serial or Engine Number Thickness 0.030"
11	733824M1	4	Washer	(1)
12	747813M1	4	Spring	(1)
13	747814M1	4	Spring	(1)
14	1447652M1	4	Ring	(1)
15	3637041M1	4	Seal	(1)
16	746698M1	4	Cap	(1) Up to Serial or Engine Number Length 14.3MM
	740468M1	4	Cap	(1) From Serial or Engine Number Length 11.1MM
17	736453M1	4	Cotter	[C] (1)
18	735820M1	4	Valve Inlet	(1)
	3638919M91	X	Valve Inlet	[E] Thickness (+)0.003" Thickness (+)0.076MM
	3641297M1	X	Valve Inlet	[E] Thickness (+)0.015" Thickness (+)0.381MM
	3638920M91	X	Valve Inlet	[E] Thickness (+)0.030" Thickness (+)0.782MM
19	733824M1	4	Washer	(1)
20	747813M1	4	Spring	(1) Diameter I.D 20.65MM
	740465M1	4	Spring	(1) Diameter I.D 21.94MM
21	747814M1	4	Spring	(1) Diameter I.D 28.9MM
	740467M1	4	Spring	(1) Diameter I.D 29.7MM
22	3637041M1	4	Seal	(1)
23	746698M1	4	Cap	(1) Up to Serial or Engine Number Length 14.3MM

Item	Part Number	Qty	Description	Comments
23	740468M1	4	Cap	(1) From Serial or Engine Number Length 11.1MM
24	736453M1	4	Cotter	[C] (1)
25	748368M1	1	Plate	
26	3638693M1	1	Joint	
27	353536X1	2	Screw Unf	
28	353434X1	2	Lock Washer	
29	353518X1	4	Screw Unf	
30	339374X1	4	Lock Washer	
31	747741M1	2	Screw	
32	747742M1	12	Bolt	
33	747743M1	8	Screw	
34	3638162M1	1	Plate	
35	353538X1	2	Screw Unf	Repairs and replaces 16589X
36	353434X1	2	Lock Washer	
37	3638163M1	1	Plate	
38	353538X1	2	Screw Unf	Repairs and replaces 16589X
39	353434X1	2	Lock Washer	
40		1	Housing	[D]
41		1	Thermostat	[D]
42		1	Joint	[D]
43	3638193M1	1	Connection	
44	745106M1	1	Joint	
45	353538X1	2	Screw Unf	Repairs and replaces 345127X1
46	353434X1	2	Lock Washer	
47	376606X1	1	Plug	

FOOTNOTE [A] REMOVE AND FIT 741466M1

FOOTNOTE [B] FITTED IN PLACE OF EXHAUST VALVES SUPPLIED WITH CY LINDER HEAD ASSEMBLY

FOOTNOTE [C] SERVICED IN PAIRS

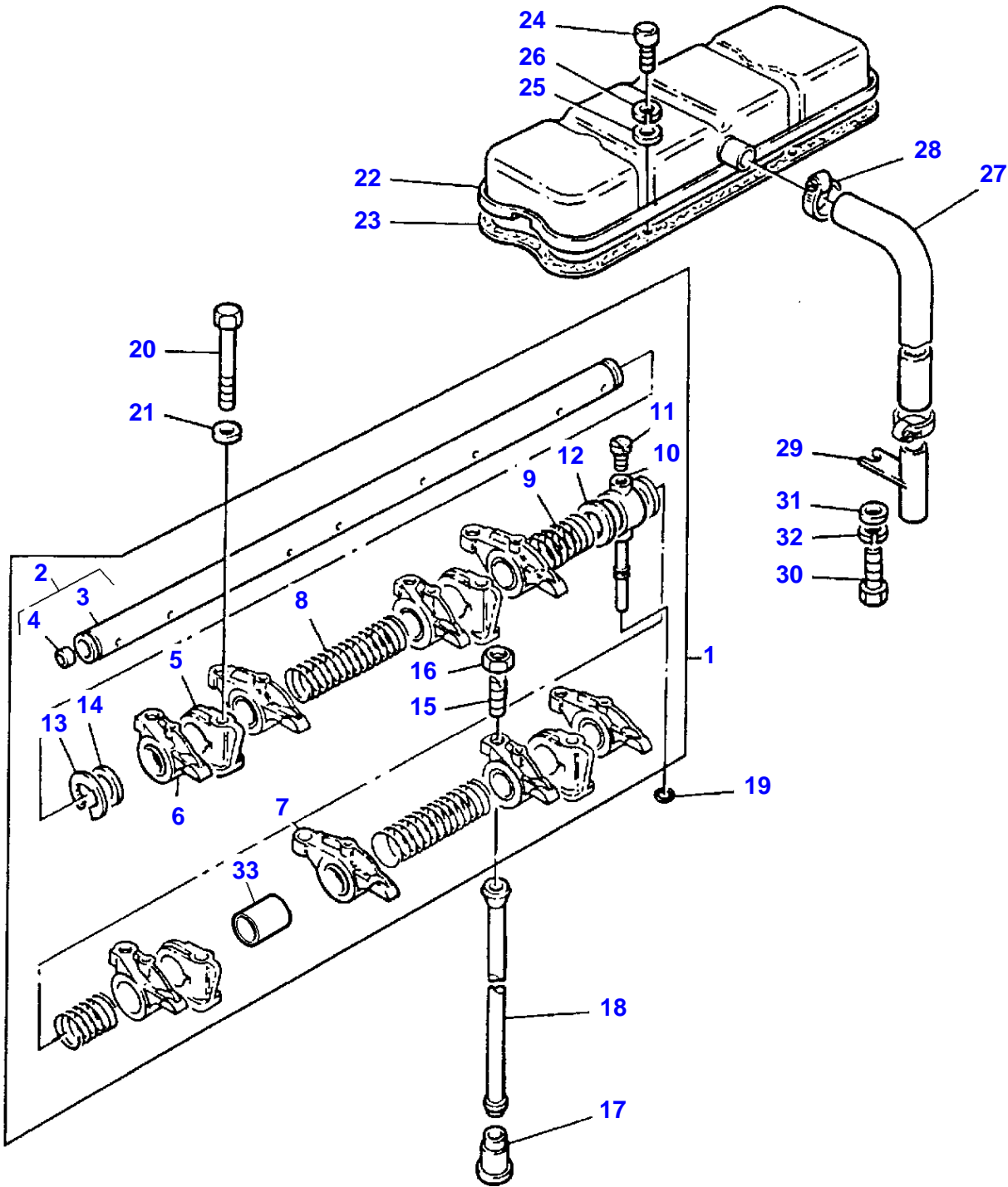
FOOTNOTE [D] SEE WATER PUMP SECTION

FOOTNOTE [E] OVERSIZE VALVES CAN ONLY BE USED WITH CYLINDER HEA DS WHEN VALVE GUIDES ARE NOT FITTED.

FOOTNOTE [F] STAMPED 3142A052

FOOTNOTE [G] STAMPED 31431881

L-0569-43M-B



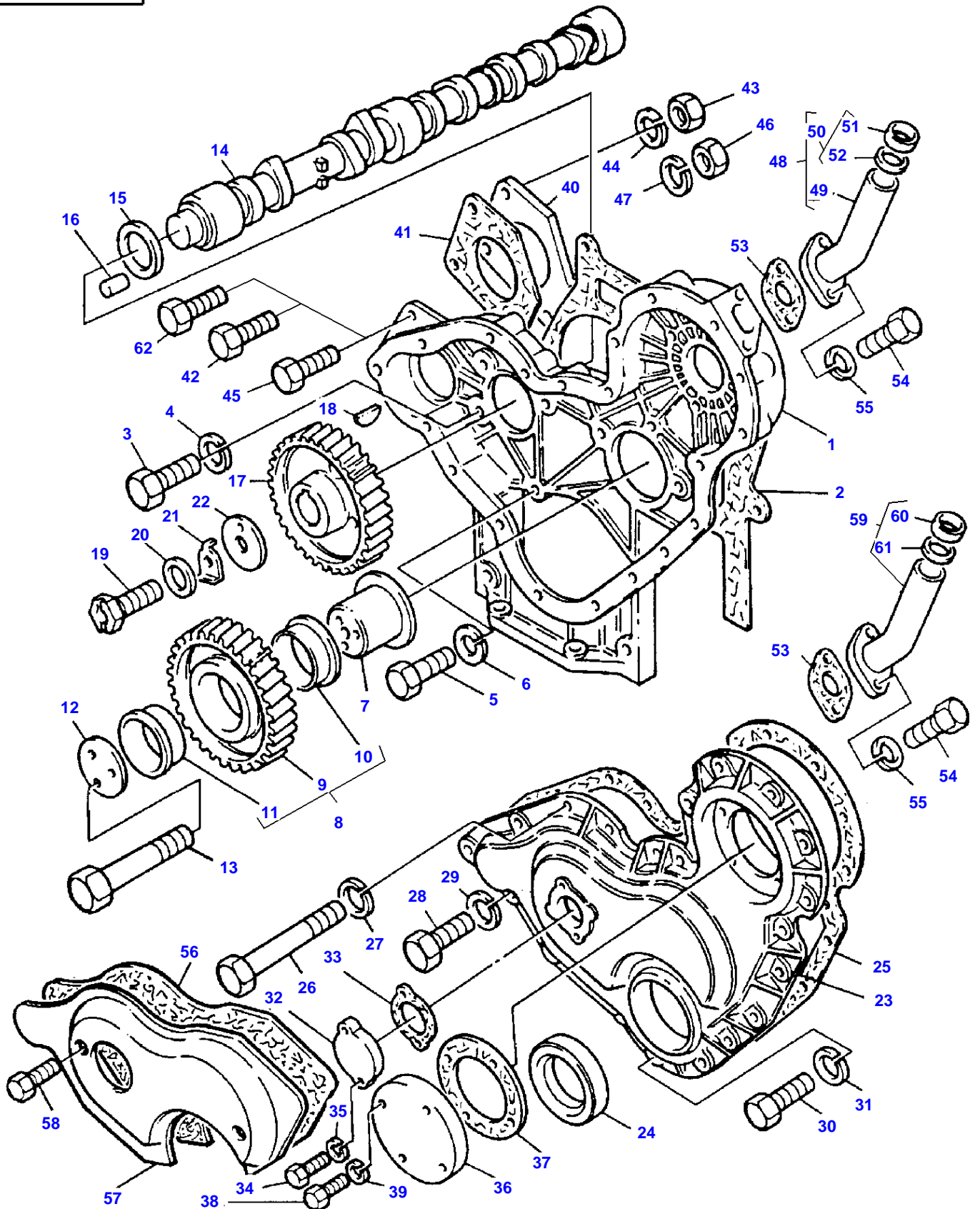
Item	Part Number	Qty	Description	Comments
1	3640969M91	1	Rocker Shaft Ass	Repairs and replaces 3637394M91
2	3637395M91	1	Rocker Shaft	(1)
3		1	Shaft	(2) Not serviced,order REF.2
4	731330M1	2	Plug	(2)
5	3638403M1	4	Bracket	(1) Repairs and replaces 3637063M1 Repairs and replaces 746461M1
6	4223075M91	4	Rocker	Right Hand Replace and repair. Old not interchangeable with new 3641306M91
7	4223076M91	4	Rocker	Left Hand Repairs and replaces 733810M1 Replace and repair. Old not interchangeable with new 3641247M1
8	733811M1	2	Spring	(1)
9	733812M1	2	Spring	(1)
10	3637064M1	1	Connection	(1)
	3638499M1	1	Connection	(1)
11	3637065M1	1	Screw	[C] (1)
	3638500M1	1	Screw	[B] (1)
12	739513M91	2	Shim	(1)
13	376137X1	2	Circlip	(1)
14	747876M1	2	Washer	(1)
15	4223933M1	8	Screw	(1)
16	376123X1	8	Nut	(1)
17	4222069M1	8	Tappet	Replace and repair. Old not interchangeable with new 740671M1
18	733817M1	8	Rod	
19	376525X1	1	Olive	
20	361543X1	4	Bolt	
21	1440275X1	4	Washer Metric	
22	734912M91	1	Cover	
23	4223924M1	1	Joint	Repairs and replaces 746714M1 Replace and repair. Old not interchangeable with new 3638482M1
24	376192X1	4	Bolt	
25	344107X1	4	Washer	
26	353441X1	4	Lock Washer	
27	740497M1	1	Pipe	
28	3638598M1	1	Clip	Repairs and replaces 375790X1
29	740498M91	1	Pipe	Up to Serial or Engine Number U3821174U
	3638364M1	1	Pipe	From Serial or Engine Number U3821175U
30	375829X1	1	Screw	Up to Serial or Engine Number U2267087
	3637695M1	1	Screw	From Serial or Engine Number U2267088
31	375703X1	1	Washer	[A] Up to Serial or Engine Number U226708S
32	353446X1	1	Lock Washer	[A] Up to Serial or Engine Number U226708S
33	895748M1	1	Bush	(7)

FOOTNOTE [A] FITTED UP TO ENGINE NUMBER U226708S

FOOTNOTE [B] USED ONLY WITH 3638499M1

FOOTNOTE [C] USE ONLY WITH CONNECTION 3775E011

L-0572-44M-B

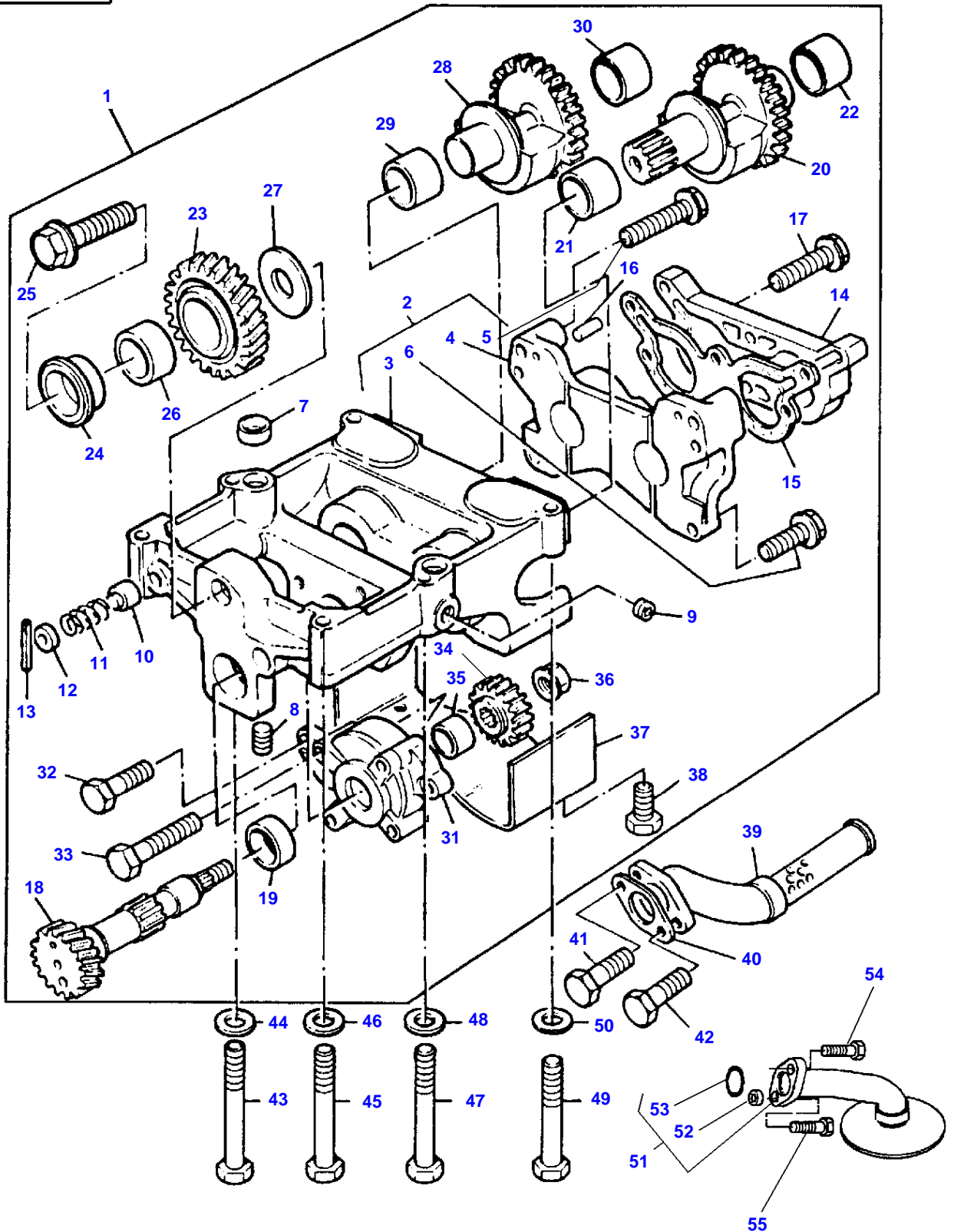


Item	Part Number	Qty	Description	Comments
1	735651M1	1	Case	Up to Serial or Engine Number 31-01-98
	4223134M1	1	Case	From Serial or Engine Number 01-02-98
2	3641255M1	1	Joint	Replace and repair. Old not interchangeable with new 3637536M1 Up to Serial or Engine Number 31-01-98
	4223078M1	1	Gasket	From Serial or Engine Number 01-02-98
3	1476319X1	8	Screw	
4	339374X1	8	Lock Washer	
5	353519X1	1	Screw Unf	
6	339374X1	1	Lock Washer	
7	735852M1	1	Hub	
8	3637075M91	1	Gear,Idler	Number of teeth/spines 63 Up to Serial or Engine Number U171963P
	3638220M91	1	Gear	Number of teeth/spines 63 From Serial or Engine Number U171964P
9		1	Gear	(8) Not serviced,order REF.8
10	731033M1	1	Bush	(8)
11	731033M1	1	Bush	(8)
12	3641760M1	1	Plate	
13	353550X1	3	Bolt Unf	[A] Up to Serial or Engine Number U106654N
	361511X1	3	Screw	[A] From Serial or Engine Number U106655N
14	736818M1	1	Camshaft	[A] Up to Serial or Engine Number U106654N
	3637537M1	1	Camshaft	[A] From Serial or Engine Number U106655N
15	733728M1	1	Washer	
16	1476145X1	1	Dowel	
17	3641739M1	1	Gear	[A] Up to Serial or Engine Number U106654N Number of teeth/spines 56
	3641739M1	1	Gear	[A] From Serial or Engine Number U106655N Number of teeth/spines 56 Repairs and replaces 748207M1
18	2196X	1	Key	
19	747776M1	1	Screw	M12 X 45
	3641842M1	1	Adaptor	1/2-20X1"
20	734663M1	1	Washer	
21	734276M1	1	Washer	
22	734182M1	1	Washer	Diameter 0.531"
	747557M1	1	Washer	Diameter 20.5MM
23	4222126M1	1	Cover	Up to Serial or Engine Number U171964P Replace and repair. Old not interchangeable with new 734888M1
	3637542M1	1	Cover	From Serial or Engine Number U171964P Up to Serial or Engine Number 04/03/94
	4222126M1	1	Cover	From Serial or Engine Number 05/03/94 Replace and repair. Old not interchangeable with new 734888M1 Up to Serial or Engine Number 31-01-98
	4223113M1	1	Cover	From Serial or Engine Number 01-02-98
24	1447690M1	1	Seal	
25	4222563M1	1	Joint	Replace and repair. Old not interchangeable with new 3638517M1 Up to Serial or Engine Number 31-01-98
	4223080M1	1	Gasket	From Serial or Engine Number 01-02-98
26	353531X1	4	Bolt Unf	
27	339374X1	4	Lock Washer	
28	1476319X1	10	Screw	
29	339374X1	10	Lock Washer	
30	1476319X1	4	Screw	
31	339374X1	4	Lock Washer	
32	734118M1	1	Plate	
33	3641765M1	1	Joint	
34	1476316X1	2	Screw	
35	353441X1	2	Lock Washer	
36	747788M1	1	Plate	

Item	Part Number	Qty	Description	Comments
37	3641256M1	1	Joint	Replace and repair. Old not interchangeable with new 734890M1
38	1476317X1	4	Screw	
39	339374X1	4	Lock Washer	
40	734594M1	1	Plate	
41	3641767M1	1	Joint	
42	342164X1	2	Screw	
43	354123X1	2	Nut	
44	353434X1	2	Lock Washer	
45	376538X1	1	Bolt	
46	354123X1	1	Nut	
47	353434X1	1	Lock Washer	
48	3637543M91	1	Filler	Up to Serial or Engine Number U382174U
49		1	Filler	(48) Not serviced,order REF.48
50	734962M91	1	Cap	(48)
51		1	Cap	(50) Not serviced,order REF.50
52	1881644M1	1	Joint	(50)
53	3641274M1	1	Joint	
54	1476318X1	2	Screw	
55	339374X1	2	Lock Washer	
56	3638360M1	1	Damper	From Serial or Engine Number U171964P Up to Serial or Engine Number 88/07
56	3638209M1	1	Gasket	From Serial or Engine Number 88/07 Up to Serial or Engine Number 04/03/94
57	3638359M1	1	Shield	From Serial or Engine Number U171964P Up to Serial or Engine Number 88/07
57	3638208M1	1	Shield	From Serial or Engine Number 88/07 Up to Serial or Engine Number 04/03/94
58	3637685M1	2	Screw	From Serial or Engine Number U171964P Up to Serial or Engine Number 04/03/94
59	3638365M91	1	Filler	From Serial or Engine Number U382175U
60	3639319M1	1	Filler	(59)
61	1881644M1	1	Joint	(59)
62	376044X1	1	Bolt	From Serial or Engine Number 05/03/94

FOOTNOTE [A] SEE PERKINS SERVICE BULLETIN NO.29 AND NO.35.

L-0584-49M-C



Buy Now



Our support email:

ebooklibonline@outlook.com